

TMX AT04

SAW Bandpass Filter – Remote Control - RF
Preliminary Specification (Rev 1)

www.DataSheet4U.com

- ▣ Features..... P01
- ▣ Package Drawing & Pin out..... P01
- ▣ Technical Characteristics P02
- ▣ Matching Network P02
- ▣ Nominal Response..... P03
- ▣ Maximum Ratings..... P04
- ▣ Marking & Packaging P04

TMX AT04

SAW Bandpass Filter – Remote Control - RF

Preliminary Specification (Rev.1)- RF

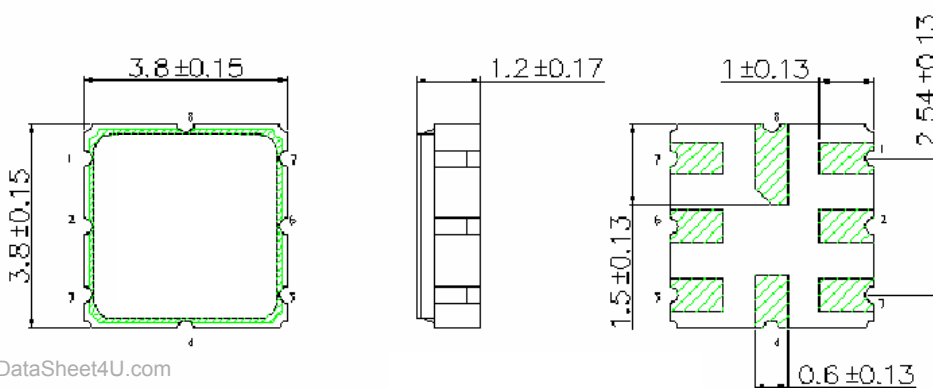
January 09th, 2006

Features

- ❑ RFSAW Filter for Remote Control
- ❑ 868.3 MHz Center Frequency
- ❑ 0.78 MHz useable Passband
- ❑ 50 Ohms Single Configuration with external matching network
- ❑ Ceramic package for Surface Mounted Technology

Package Drawing & Pin out

The product is in conformance with the European RoHs Regulation 2002/95.



www.DataSheet4U.com

Pin Configuration

Input	1 or 2
Input return	2 or 1
Output	5
Output return	6
Case ground	4, 8
To be ground	3, 7

TMX AT04

SAW Bandpass Filter – Remote Control - RF

Preliminary Specification (Rev.1)- RF

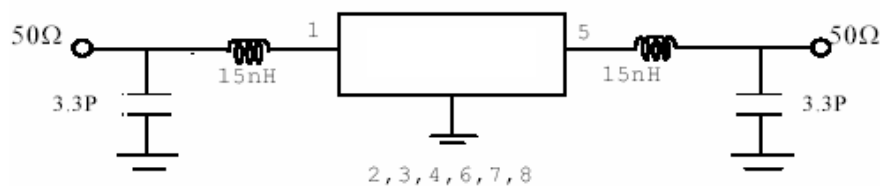
January 09th, 2006

Technical Characteristics

Reference Temperature : +25°C

Electrical Parameters	Unit	Minimum	Typical ⁽¹⁾	Maximum
Source Impedance (single)	Ohms	-	50	-
Load Impedance (single)	Ohms	-	50	-
Center Frequency f_c	MHz	-	868.3	-
Bandwidth	MHz	0.78	1.5	-
Absolute Attenuation				
10 MHz to 700 MHz	dB	55	60	-
700 MHz to 830 MHz	dB	45	50	-
830 MHz to 850 MHz	dB	40	45	-
850 MHz to 865 MHz	dB	30	35	-
871 MHz to 874.5 MHz	dB	20	25	-
874.5 MHz to 883 MHz	dB	25	33	-
883 MHz to 900 MHz	dB	35	40	-
900 MHz to 1000 MHz	dB	45	50	-
Insertion Loss within 868 MHz ~ 868.78 MHz	dB	-	2.7	4.2

Matching Network



TMX AT04

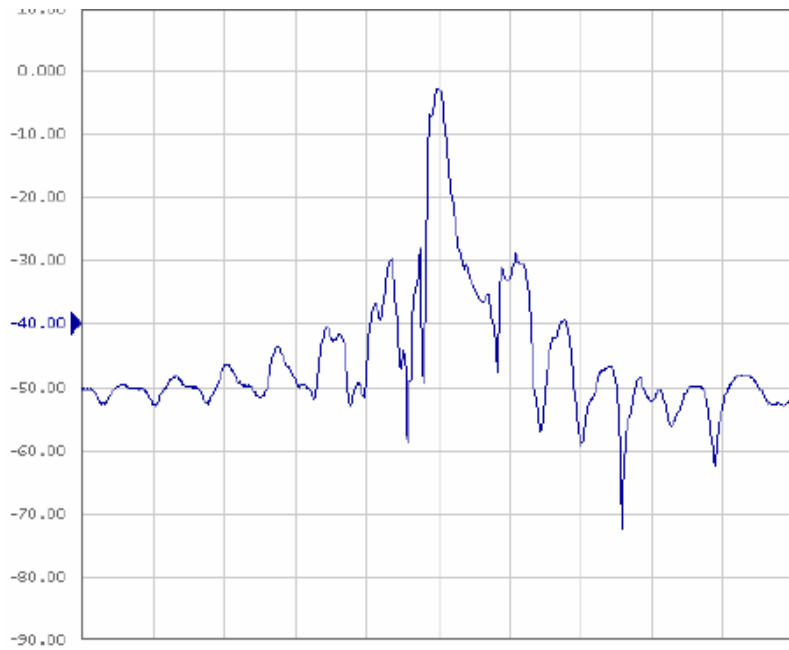
SAW Bandpass Filter – Remote Control - RF

Preliminary Specification (Rev.1)- RF

January 09th, 2006

Nominal Frequency Response

Frequency Response (Span 100MHz)



TMX AT04

SAW Bandpass Filter – Remote Control - RF

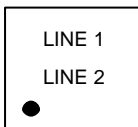
Preliminary Specification (Rev.1)- RF

January 09th, 2006

Maximum Ratings

Storage Temperature Range	°C	[-40°C ; +85°C]
Operable temperature Range	°C	[-40°C ; +85°C]

Marking



Line 1: "NNNN" is the reference to Temex Part number with only the last 4 digits

Line 2: RYWWZZ is the date code as:

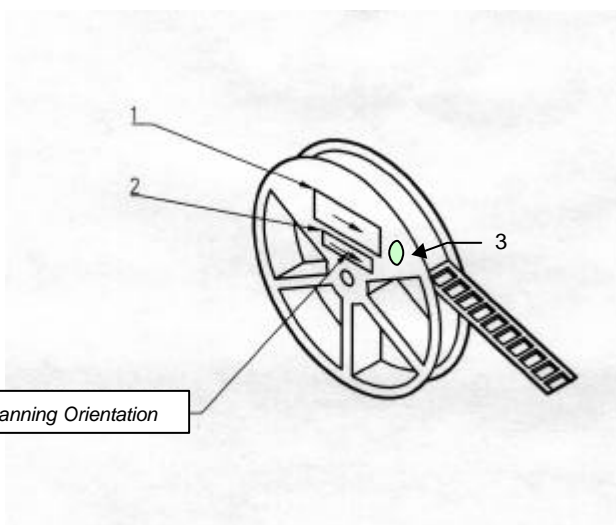
R: Partner identifier.

Y: last digit of the year.

WW: number of week in the year

ZZ: Lot number in the week (from AA to ZZ).

Packaging



- 1 – Temex Label
- 2 – ESD Prevention Label
- 3 – Pb Free Label