



TND Series

Low-Side Power Switch for Use in Solenoid, Lamp Drive Applications ExPD(Excellent Power Device)

Overview

Sanyo has developed an "ExPD" which supports both higher reliability and increased performance by adopting a unique BID structure developed using its original SIBC process. In particular, the overcurrent protection function achieves increased precision, making the ExPD optimal for use in a broad variety of switching devices such as solenoid drive or lamp drive used in office automation, factory automation, and game products.

Features

- N-ch MOSFET built in (Performance of J4/J5 processes) .
- A wide range of protection circuit built in.

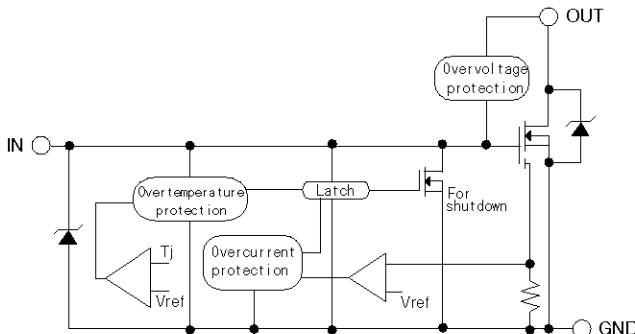
Applications

- Lamp drive, solenoid drive, and so on.

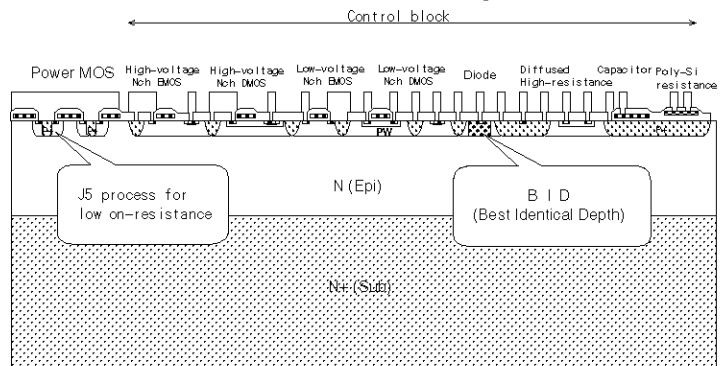
Product lineup

Item	Low-side switch					High-side switch
	TND009T	TND010F	TND011NM TND011MP	TND012NM TND012MP	TND013S	TND016B
Rated voltage	50V	50V	60V	60V	30V	60V
Rated current	1 ±0.25A	2 ±0.5A	1.5A	2 ±0.5A	6A	4A
Ron(max)	0.2Ω	0.2Ω	0.5Ω	0.5Ω	0.03Ω	0.075Ω
Protection against						
Overcurrent	○	○	○	○		○
Overtemperature	○	○		○	○	○
Overvoltage	○	○	○	○		○
Package	TP	FLP	NMP MP	NMP MP	SOPB	TO220-5H
ES, MP	Production quantities available				Under development	
Application	Printer		Game		Battery	Printer

Block Diagram of the Low-side Switch ExPD



Cross-sectional View of the Low-voltage series ExPD



SIBC : (Self Isolated Bi-CMOS)

- The BID structure based on the SIBC process forms low on-resistance power MOSFETs and a wide range of protection circuits on a single chip.
- ExPD : Excellent Power Device
- SIBC : Self Isolated Bi-CMOS
- BID : Best Identical Depth

- No products described or contained herein are intended for use in surgical implants, life-support systems, aerospace equipment, nuclear power control systems, vehicles, disaster/crime-prevention equipment and the like, the failure of which may directly or indirectly cause injury, death or property loss.
- Anyone purchasing any products described or contained herein for an above-mentioned use shall:
 - ① Accept full responsibility and indemnify and defend SANYO ELECTRIC CO., LTD., its affiliates, subsidiaries and distributors and all their officers and employees, jointly and severally, against any and all claims and litigation and all damages, cost and expenses associated with such use:
 - ② Not impose any responsibility for any fault or negligence which may be cited in any such claim or litigation on SANYO ELECTRIC CO., LTD., its affiliates, subsidiaries and distributors or any of their officers and employees jointly or severally.
- Information (including circuit diagrams and circuit parameters) herein is for example only; it is not guaranteed for volume production. SANYO believes information herein is accurate and reliable, but no guarantees are made or implied regarding its use or any infringements of intellectual property rights or other rights of third parties.

This catalog provides information as of June, 1997. Specifications and information herein are subject to change without notice.

SANYO Electric Co., Ltd. Semiconductor Business Headquarters
TOKYO OFFICE Tokyo Bldg., 1-10, 1 Chome, Ueno, Taito-ku, TOKYO, 110 JAPAN