

TO-5050BC-3BH

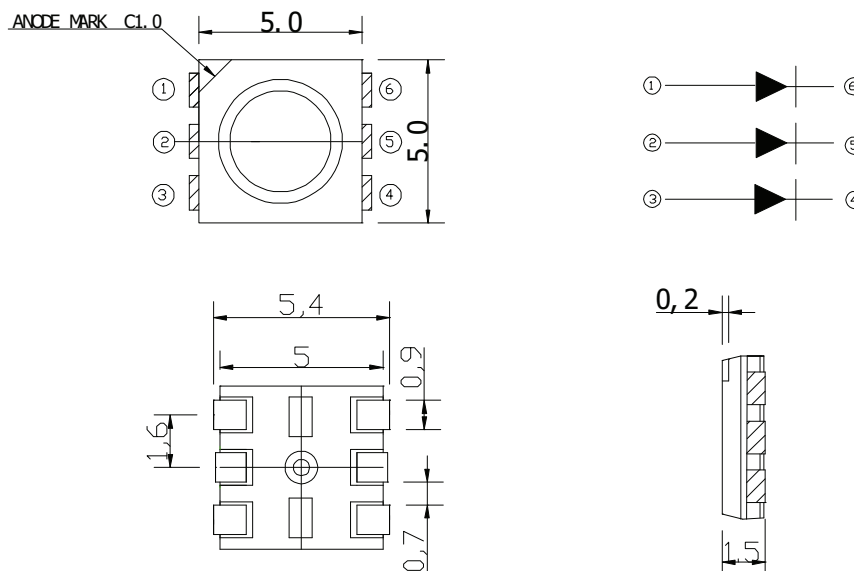
Surface Mount Device LED

Part Number	Chip		Lens Color
	Material	Source Color	
TO-5050BC-3BH	InGaN	Blue	Water Clear

Features

- IC compatible
- Compatible with automatic placement equipment
- Compatible with infrared and vapor phase reflow soldering process
- Top view type
- Pack in 12 mm tape on 7" diameter reel
- RoHS compliant
- Moisture sensitivity Level: level 3

Dimensions



Notes:

1. All dimensions are in millimeter.
2. Tolerance is ± 0.1 mm unless individual mark noted.

Absolute Maximum Rating @ Ta=25°C

Parameter	Maximum Rating	Unit
Peak Forward Current (1/10 Duty Cycle, 0.1ms Pulse Width)	240	mA
Power Dissipation	300	mW
Continuous Forward Current	75	mA
Reverse Voltage	5	V
Operating Temperature Range	-40°C to +80°C	
Storage Temperature Range	-40°C to +100°C	
IR Reflow Soldering Profile For Lead Free Soldering	260°C for 10 sec	

Electrical / Optical Characteristic @ Ta=25°C

Parameter	Symbol	Min.	Typ.	Max.	Unit	Test Condition
Luminous Intensity	I _v	705		2015	mcd	I _F =60mA
Viewing Angle	2θ _{1/2}		120		deg	I _F =60mA
Forward Voltage	V _F		3.2		V	I _F =60mA
Dominant Wavelength	λ _d		468		nm	I _F =60mA
Spectral Line Half-Width	Δλ		26		nm	I _F =60mA
Reverse Current	I _R			10	μA	V _R =5V