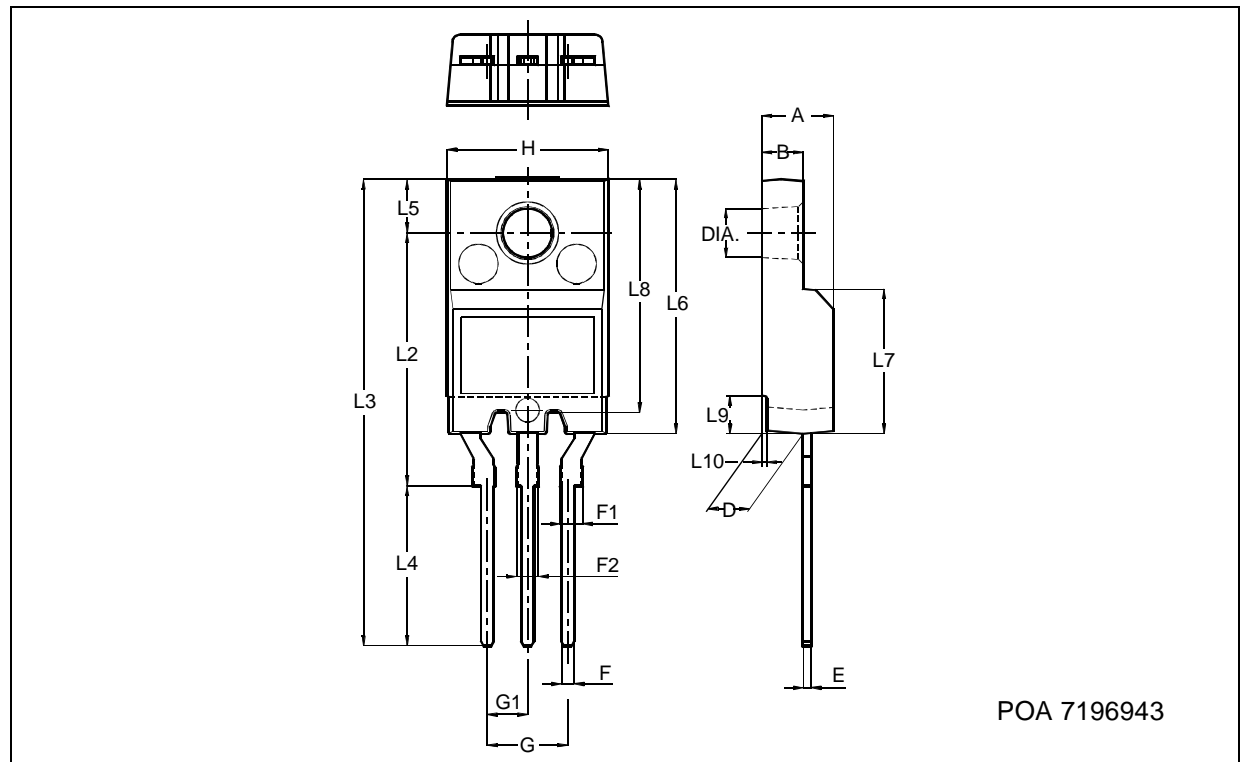
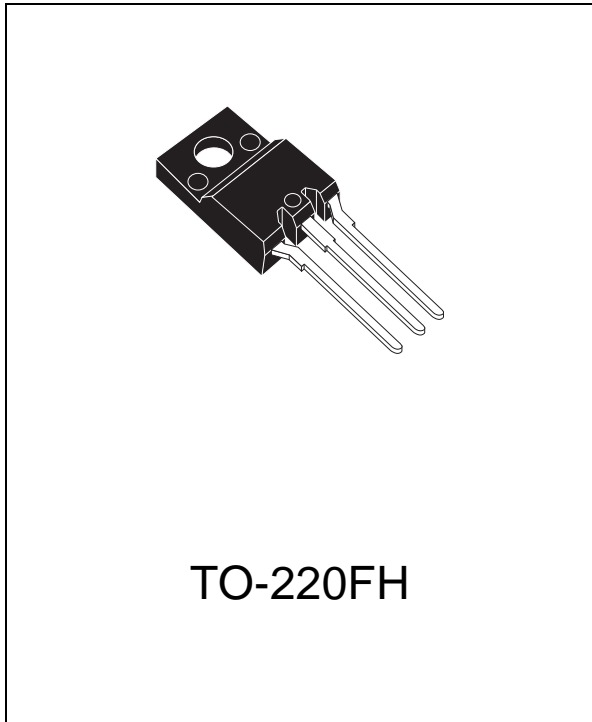
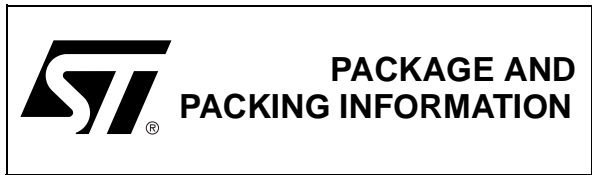
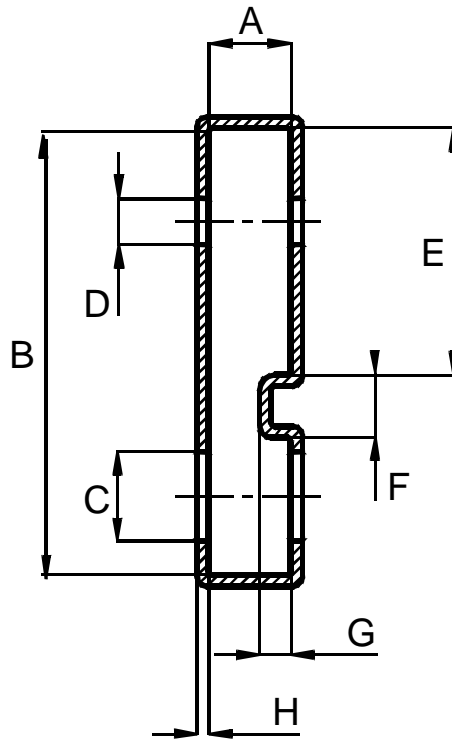


DIMENSIONS						
REF.	mm			inch		
	TYP.	MIN.	MAX.	TYP.	MIN.	MAX.
A		4.40	4.60		0.173	0.181
B		2.50	2.70		0.098	0.106
D		2.50	2.75		0.098	0.108
E		0.45	0.70		0.018	0.028
F		0.75	1.00		0.030	0.039
F1		1.30	1.80		0.051	0.071
F2		1.30	1.80		0.051	0.071
G		4.95	5.20		0.195	0.205
G1		2.40	2.70		0.094	0.106
H		10.00	10.40		0.394	0.409
L2	16.00			0.630		
L3		28.60	30.60		1.126	1.205
L4		9.80	10.60		0.386	0.417
L5	3.40			0.134		
L6		15.90	16.40		0.630	0.646
L7		9.00	9.30		0.354	0.366
L8		14.50	15.00		0.571	0.591
L9	2.40			0.094		
L10	0.30			0.012		
DIA.		3.00	3.20		0.118	0.126



TUBE SHIPMENT INFORMATION



TUBE MECHANICAL DATA		
	mm.	inch
A	5.50	0.217
B	31.40 (±0.20)	1.236 (±0.008)
C	5.90 (±0.10)	0.230 (±0.004)
D	3.10 (±0.05)	0.122 (±0.002)
E	16.80 (±0.20)	0.661 (±0.008)
F	3.90	0.154
G	2.10	0.087
H	0.75 (±0.10)	0.030 (±0.004)

BASE QUANTITY	50 pcs.
BULK QUANTITY	1000 pcs.