

TOD-2281BG-4G

Dual Digit Display LED

Part Number	Chip		Face Color	Segment Color
	Material	Source Color		
TOD-2281BG-4G	GaP	Green	Gray	Green

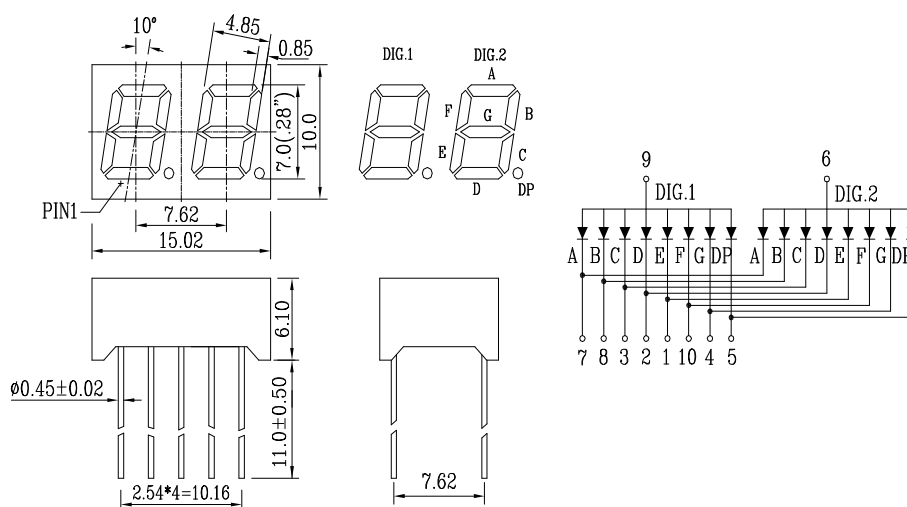
Features

- (0.28") 7.00mm digit height
- Common anode
- I.C. compatible
- Low power requirement
- RoHS compliant

Applications

- Audio equipment
- Instrument panels
- Digital read out display

Package Dimensions & Internal Circuit Diagram



Notes:

1. All dimensions are in millimeters, tolerance: ± 0.25 ; Angle: $\pm 0.1^\circ$ unless otherwise noted.
2. Specifications are subject to change without notice.

Absolute Maximum Rating @ Ta=25°C

Parameter	Maximum Rating	Unit
Peak Forward Current (1/10 Duty Cycle, 0.1ms Pulse Width) Per Dice	80	mA
Power Dissipation Per Dice	75	mW
Continuous Forward Current Per Dice	20	mA
Recommend Operating Current Per Dice	12	mA
Reverse Voltage Per Dice	5	V
Operating Temperature Range	-25°C to +85°C	
Storage Temperature Range	-30°C to +85°C	
Lead-Free Solder Temperature(1/16 Inch Below Seating Plane)	260°C for 3 Sec	

Electrical / Optical Characteristic @ Ta=25°C

Parameter	Symbol	Min.	Typ.	Max.	Unit	Test Condition	Grade
Luminous Intensity Per Segment	I _v		4113		ucd	I _F =1mA	
Dominant Wavelength	λ _d		570		nm	I _F =20mA	
Spectral Line Half-Width	Δλ		30		nm	I _F =20mA	
Forward Voltage Per Dice	V _F	1.9	2.2	2.5	V	I _F =20mA	
Reverse Current Per Dice	I _R			20	μA	V _R =5V	
Luminous Intensity Matching Rate	I _v -m			1.5:1		I _F =20mA	

The DISPLAYS should be kept at 30°C or less and 60%RH or less. The DISPLAYS should be used within one year.

Home page : www.oasistek.com.tw/en/index.php

Contact us : www.oasistek.com.tw/en/service.php

Facebook : www.facebook.com/pages/Oasistek-李洲科技/123207277743