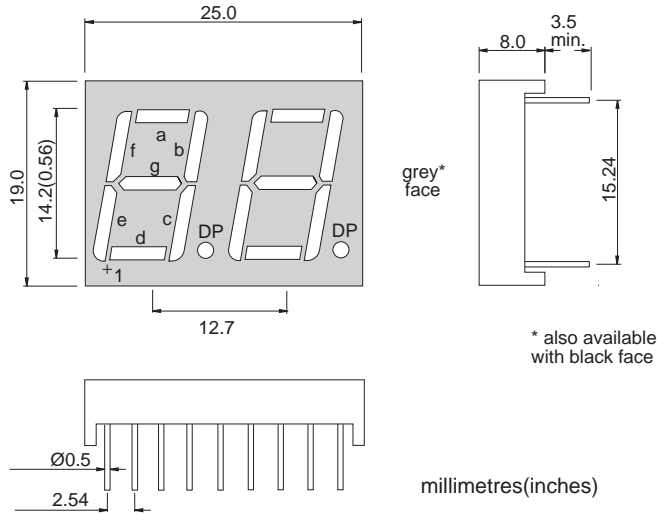
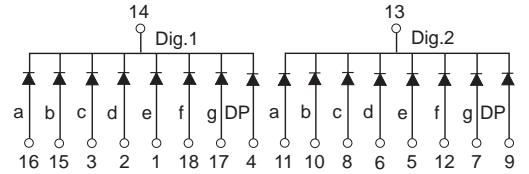


### TOD5261 series

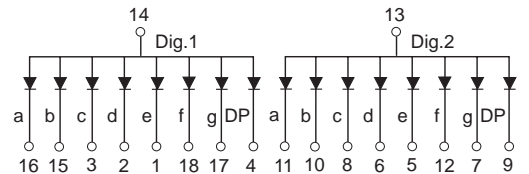


### Schematic Options

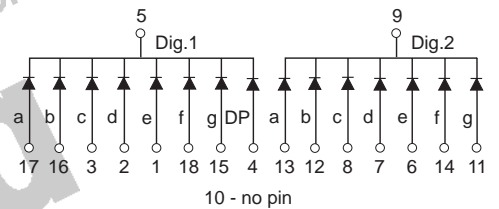
**A** Common Cathode R/H Decimal point



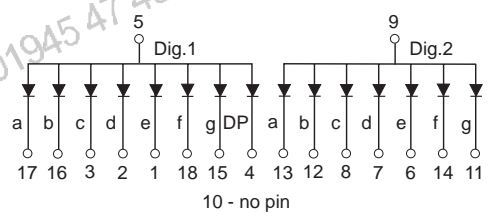
**B** Common Anode R/H Decimal point



**C** Common Cathode R/H Decimal point



**D** Common Anode R/H Decimal point



### Part Number Key

TOD5261

**A**

**S**

Schematic

Colour Code

### Specification

Colour	Red	Red	Red	Green	Yellow	
Colour Code	R	E	S	G	Y	
Brightness Category	Bright	Extra Bright	Super Bright	Extra Bright	Extra Bright	
Typical Luminous Intensity IF=10mA	700	3500	17500	4000	3500	μcd
Peak Wavelength IF=20mA	697	630	660	565	585	nm
Typical Forward Voltage IF=20mA	2.1	2.1	2.1	2.2	2.1	Volts
Maximum Forward Voltage IF=20mA	2.8	2.8	2.8	2.8	2.8	Volts
Maximum Reverse Current VR=5V	100	100	100	100	100	μA