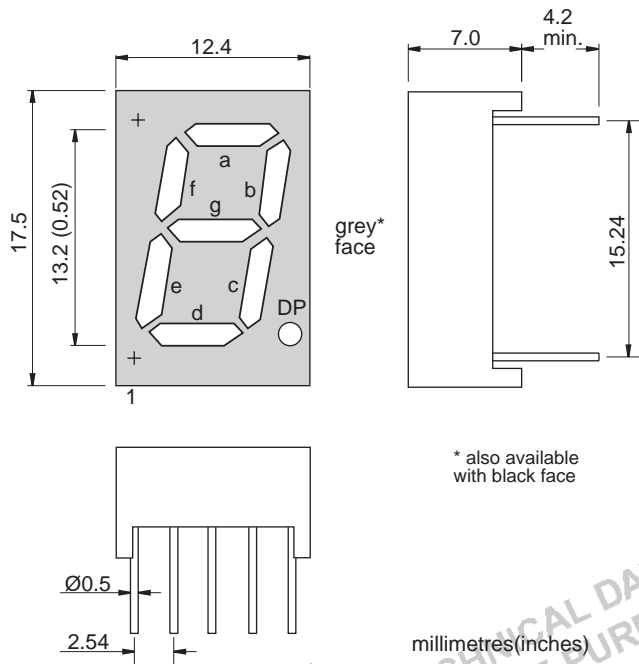


TOS5121 series

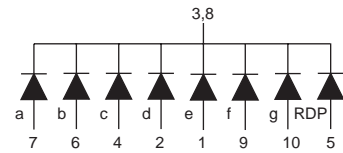


* also available with black face

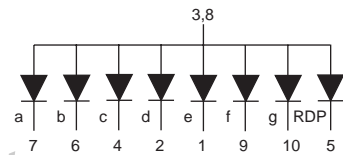
millimetres (inches)

Schematic Options

A Common Cathode R/H Decimal point



B Common Anode R/H Decimal point



Part Number Key

TOS5121

A

S

Schematic

Colour Code

Specification

Colour	Red	Red	Red	Green	Yellow	
Colour Code	R	E †	S	G	Y	
Brightness Category	Bright	Extra Bright	Super Bright	Extra Bright	Extra Bright	
Typical Luminous Intensity $I_F=10\text{mA}$	700	3500	17500	4000	3500	μcd
Peak Wavelength $I_F=20\text{mA}$	697	630	660	565	585	nm
Typical Forward Voltage $I_F=20\text{mA}$	2.1	2.1	2.1	2.2	2.1	Volts
Maximum Forward Voltage $I_F=20\text{mA}$	2.8	2.8	2.8	2.8	2.8	Volts
Maximum Reverse Current $V_R=5\text{V}$	100	100	100	100	100	μA

† Red - Extra Bright (E) also available in low current