

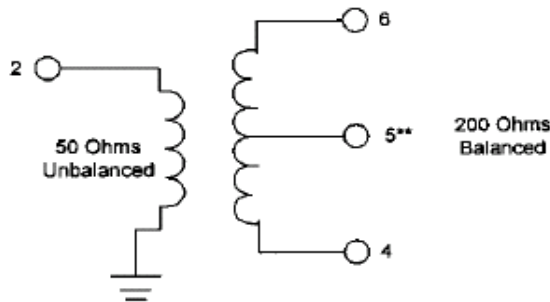
Features

- 50 Ohms Unbalanced/200 Ohms Balanced
- Low Insertion Loss: 0.4 dB Typical
- DC Isolation: Input to Output
- MIL-STD-202 Screening Available

Description

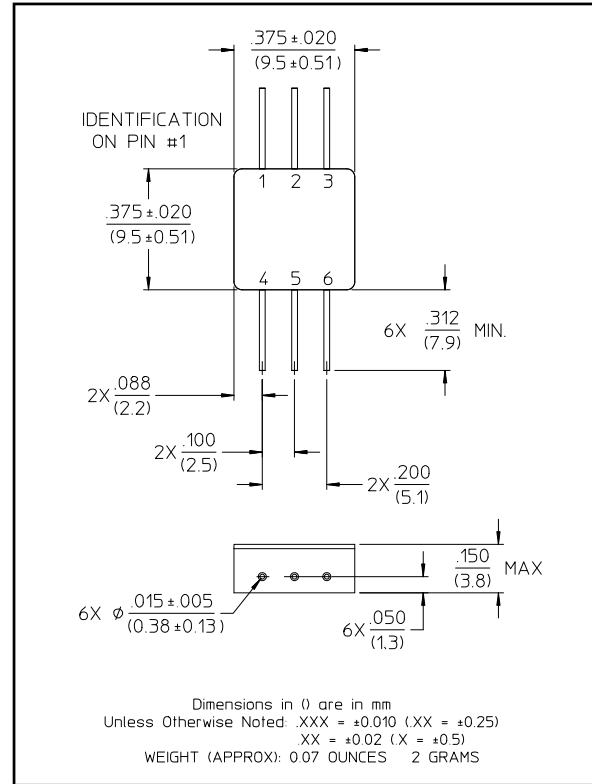
The flux coupled Balun Transformer can provide a wide range of impedance ratios: 1:1, 4:1, 9:1 and 16:1 are most common. DC isolation from primary coil to secondary coil is also a feature of this device.

Schematic/Pin Configuration



Pins 1 & 3 are grounded to case
** Pin 5 to be externally grounded

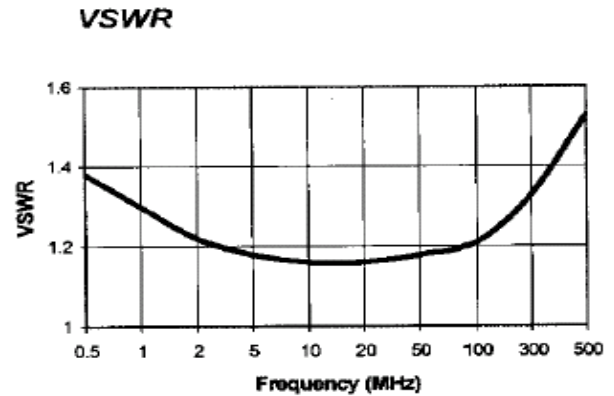
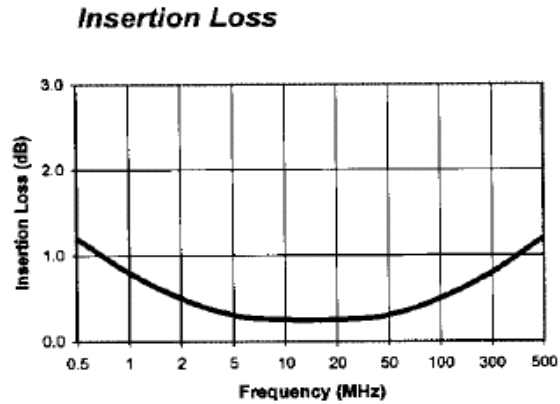
FP-1



Electrical Specifications: $T_A = -55^\circ\text{C}$ to $+85^\circ\text{C}$

Parameter	Test Conditions	Frequency	Units	Min	Typ	Max
Impedance	Input - 50 Ohms Unbalanced Output - 200 Ohms Balanced	—	—	—	—	—
Insertion Loss	—	10 - 50 MHz	dB	—	—	0.55
VSWR	—	5 MHz - 200 MHz 750 MHz - 400 MHz	Ratio Ratio	— —	— —	1.3:1 2.0:1
Input Power	—	750 MHz - 4 MHz 4 MHz - 400 MHz	Watts Watts	— —	— —	0.4 1.0
Rise Time	10 - 90%	—	nS	—	0.55	—
Droop (10%)	—	—	nS	—	130	—

Typical Performance Curves



Ordering Information

Part Number	Package
TP-104 PIN	FP-1