

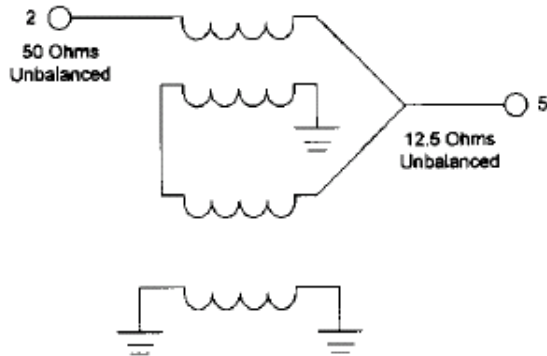
Features

- 50 Ohms Unbalanced/12.5 Ohms Unbalanced
- Low VSWR: 1.1:1 Typical
- Low Insertion Loss: 0.4 dB Typical
- MIL-STD-202 Screening Available

Description

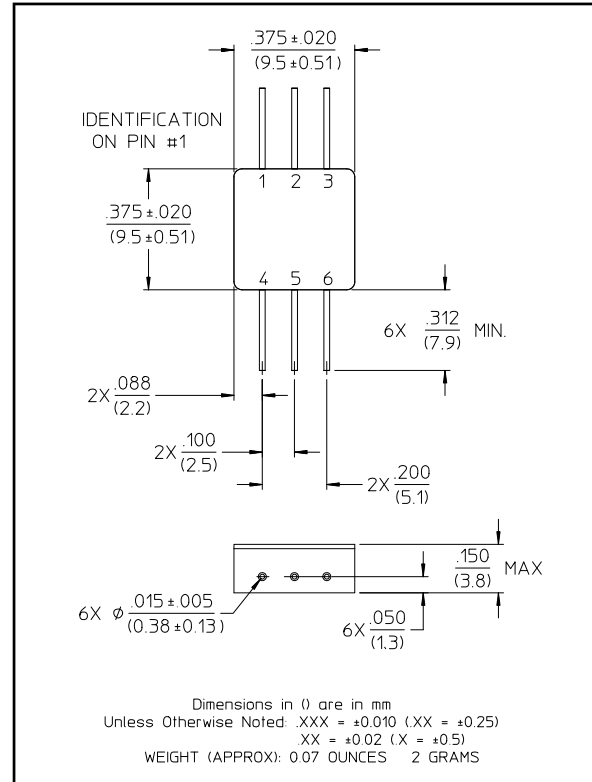
The transformer coupled balun can provide a wide frequency range. DC isolation from primary coil to secondary coil is also a feature of this device.

Schematic/Pin Configuration



Pins 1, 3, 4, 6 are grounded to case

FP-1

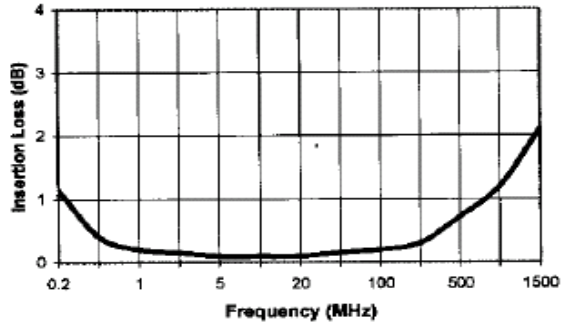


Electrical Specifications: $T_A = -55^{\circ}\text{C}$ to $+85^{\circ}\text{C}$

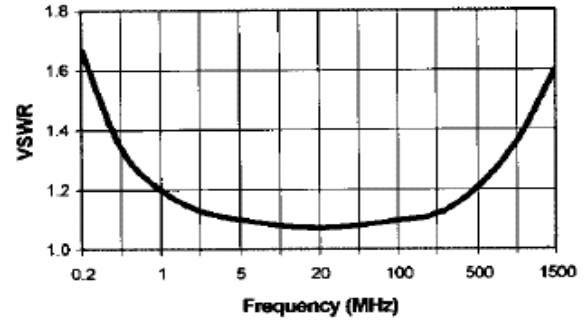
Parameter	Test Conditions	Frequency	Units	Min	Typ	Max
Impedance	Input - 50 Ohms Unbalanced Output - 12.5 Ohms Unbalanced	—	—	—	—	—
Insertion Loss	—	10 - 50 MHz	dB	—	—	0.5
VSWR	—	1 MHz - 500 MHz 500 KHz - 1 GHz	Ratio Ratio	— —	— —	1.4:1 1.6:1
Input Power	—	500 KHz - 1 MHz 1 MHz - 5 MHz 5 MHz - 1 GHz	Watts Watts Watts	— — —	— — —	0.375 0.75 1.5
Rise Time	10 - 90%	—	nS	—	0.3	—
Droop (10%)	—	—	nS	—	350	—

Typical Performance Curves

Insertion Loss



VSWR



Ordering Information

Part Number	Package
TP-105 PIN	FP-1