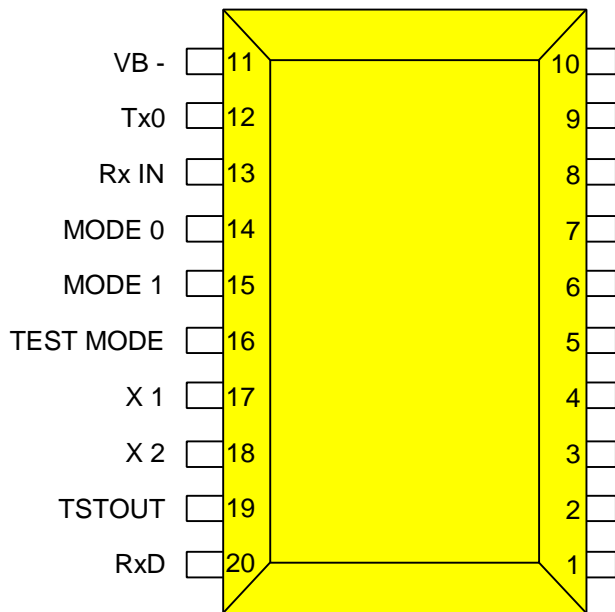


TECHNICAL DATA

EIB-TP-UART-IC



Features

- Signaling for standard UART (LSB-First, Idle is 1)
- Baud rate 9600 or 19200 baud for the communication:
TP - UART <--> Host - Controller
- Direct coupling to host controller (Tx D, Rx D), or via optical couplers (optional)
- 2 - wire protocol with software handshake
- Buffering of send frames
- No critical timing during transmission
- 64 Byte telegram buffer
- Operating temperature range:
-25°C to 85°C
- Supervision of EIB bus voltage

GENERAL DESCRIPTION

The TP - UART - IC (Twisted Pair - Universal Asynchronous Receive Transmit - IC) is a transceiver which supports the connection of microcontrollers of sensors, actuators, or other applications to the EIB (European - Installation - Bus).

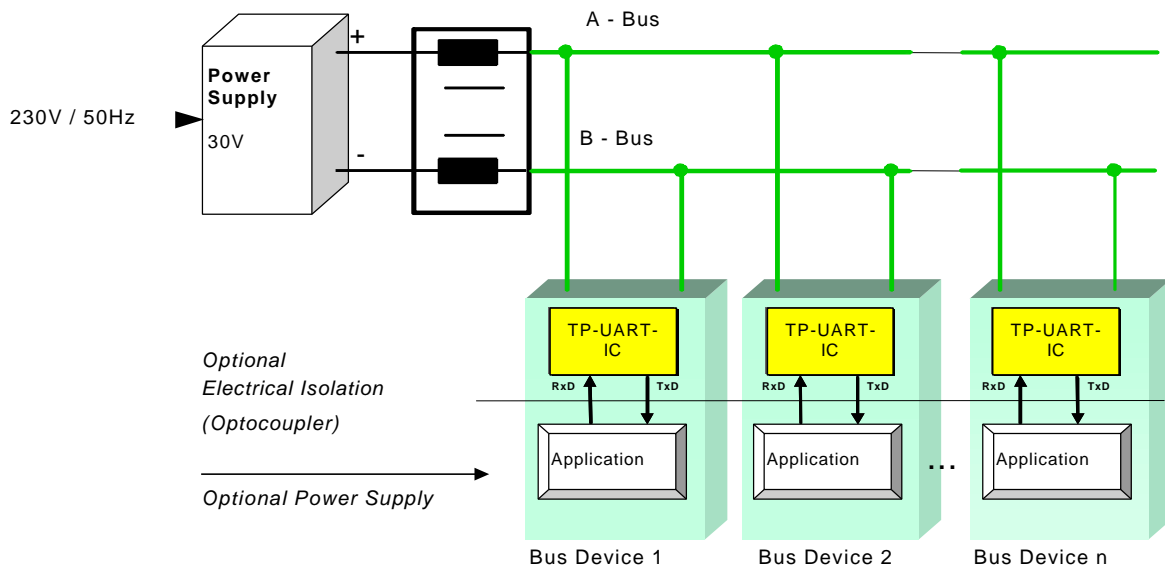
This module supports every transmit- and receive - function and also the high ohmic decoupling of energy from bus line. It generates further a stabilized 3.3V or 5V supply to use by a host controller. Up to 256 subscribers can be connected to one bus line.

An UART interface is realized for communication with a host controller. The coupling can be realized directly or via optical couplers.

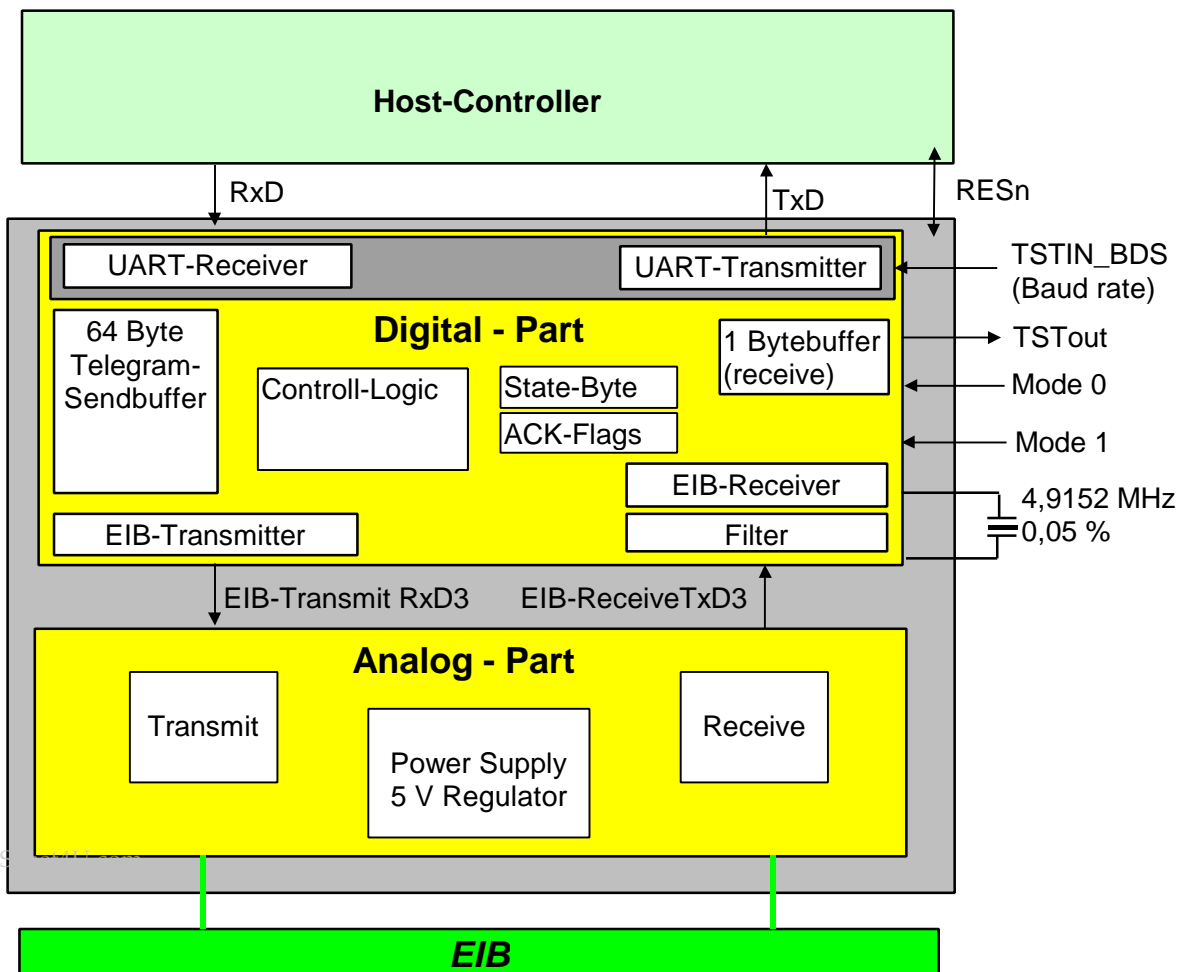
The TP - UART - IC consists of two main parts: the digital part (UART - Interface) and the analog part (analog circuit part).

The reproduction, transmission or use of this document or it's contents is not permitted without express written authority. All rights, including right created by patent grant or registration of a utility model or design, are reserved. Technical changes reserved.

GENERAL DRAWING



STRUCTURE of TP - UART - IC (Block Diagram:)



The reproduction, transmission or use of this document or its contents is not permitted without express written authority. All rights, including right created by patent grant or registration of a utility model or design, are reserved. Technical changes reserved.

1 The ANALOG - PART

1.1 General Device Specification

1.1.1 Absolute Maximum Ratings

All voltages are referring to VB-. Currents are declared positive in case of flowing into pin.

Symbol	Parameter	Min	Max	Unit	Note
VB+	positive line voltage	-0.5	45	V	1)
V _{CC}	positive voltage supply (internal or external supply)	-0.5	7	V	2)
V _{IF}	positive external voltage supply	-0.5	7	V	2)
V _{VSP}	interstate voltage (generated by on-chip regulator)	-0.5	13	V	2)
V _{Tx0}	voltage on pin Tx0	-0.5	45	V	1)
V _{RxIN}	voltage on pin RxIN	-15	45	V	1) 4)
V _{LV1}	voltage on low voltage pins MODE0, MODE1, TSTIN, TESTMODE	-0.5	V _{CC} +0.5	V	
V _{LV2}	voltage on low voltage pins TxD, RESn, TSTOUT, X1, X2, RxD	-0.5	V _{IF} +0.5	V	
ϑ _j	junction temperature		170	°C	
ϑ _S	storage temperature	-65	170	°C	
V _{ESD}	max. ESD stress voltage		± 1000	V	3)
I _{LATCHUP}	static current for latchup initialization	± 50		mA	
R _{th}	thermal resistance of the SOIC-20 package	58.5	71.5	K/W	
P _V	maximum power dissipation		1	W	
1) During surge impulse is allowed and guaranteed by ext. elements:			-20 V for 2 µsec and 65 V for 150 µsec		
2) Allowed voltage relations: (a) V _{CC} and V _{VSP} normal / VB+ and V _{IF} can be 0 V					
			(b) V _{VSP} normal / V _{CC} , VB+ and V _{IF} can be 0 V		
			(c) V _{IF} normal / V _{CC} , VB+ and V _{VSP} can be 0 V		
			The combination: V _{CC} normal and V _{VSP} = 0 V is <u>not</u> allowed!		
3) Human body model: 100 pF, 1.5 kΩ					
4) Dynamic via C _{REC} = 47 nF in case of switching-on the bus voltage					

1.1.2 Recommended Operating Conditions

Symbol	Parameter	Min	Max	Unit	Note
VB+	positive line voltage	20	33	V	1)
V _{CC}	positive voltage supply for external supply (digital test modes with SHB = 0)	4.75	5.25	V	
V _{IF}	positive external supply voltage	3.0	5.25	V	
ϑ _{amb}	ambient temperature	-25	85	°C	
f _{clk}	clock frequency (external quartz)	4.9152		MHz	
1) DC voltage of bus, with signal and compensation pulse 11 V ... 45 V					

1.1.3 Humidity Level

The valid susceptibility against humidity is described by JEDEC JESD22-A112, table 1, level 5.

www.DataSheet4U.com

The reproduction, transmission or use of this document or its contents is not permitted without express written authority. All rights, including right created by patent grant or registration of a utility model or design, are reserved. Technical changes reserved.

1.2 DC and AC Characteristics

The following parameters are valid in the ambient temperature range $\vartheta_{amb} = -25\text{ °C}$ to 85 °C and for bus voltage $V_{B+} = 20$ to 33 V if it is not otherwise declared. When the bus voltage is lower than 20 V and no RESET is active then the normal functionality must be fulfilled, but the parameters may be outside the limits.

1.2.1 Bus Pins V_{B+} and V_{B-} (Pins 10, 11)

Via these pins the ASIC is connected to the bus line. V_{B-} represents the reference potential.

Symbol	Parameter	Min	Max	Unit	Note
$V_{V_{B+}}$	positive line voltage	-0.5	45	V	1)
I_{normal}	current consumption in analog mode (without clock)		1	mA	
I_{normal}	current consumption in normal mode (with clock)		1.6	mA	4,9152 MHz

1) during surge impulse is allowed and guaranteed by ext. Elements: -20 V for 2 μs and 65 V for 150 μs

1.2.2 Buffer Voltage VSP (Pin 9)

The ASIC delivers a supply voltage of 5 volts to external loads. In order to prevent a rapid change of bus current as a result of a rapid change of the load an external capacitor at the pin VSP is used for energy storage. The static voltage is adjusted to app. 8,8 V (8,2 ...9,2) by an internal regulator.

Symbol	Parameter	Min	Max	Unit	Note
$V_{V_{SP}}$	Energy buffer voltage	5.76	13	V	1)
$C_{V_{SP}}$	External storage capacitor	80		μF	2)

1) due to the limited current changing rate an overshoot of $V_{V_{SP}}$ after load change may occur
2) recommended 100 μF ; must be larger than the capacitor at VCC

1.2.3 Current Controlling Pin CSA (Pin 8)

An external capacitor at this pin prevents a quick change of ASIC current in case of quick changing bus voltage V_{B+} or load current I_{VCC} . The ASIC current changes with a rate of max. 0,5 mA/ms ($C_{CSA} = 47\text{ nF}$).

Symbol	Parameter	Min	Max	Unit	Note
CCR	max. current changing rate (ext. Start, $C_{CSA} = 47\text{ nF}$)	0.2	0.5	mA/ms	1)

1) tolerance of capacitor $C_{CSA} = 47\text{ nF}/50\text{V} +/- 5\%$

1.2.4 Supply Pin VCC (Pin 7)

The pin VCC delivers the internal generated voltage supply to external loads. An external short-circuit from the VCC pin to GND will not cause a destruction of the ASIC.

Symbol	Parameter	Min	Max	Unit	Note
V _{VCC}	Voltage supply (generated by the ASIC or external source in case of digital test modes)	4.75	5.25	V	1)
C _{VCC}	External storage capacitor	6,8	10	μF	+/-20 %
I _{VCC}	External load at VCC		10	mA	2)
1) VB+ ≥ 11 V 2) If there is a current leap I _{Leap} with a slope greater than 1 mA/ms the following formulas have to be applied: I _{Stat} is the static current, i.e. slope not greater than 1 mA/ms $I_{Stat} \leq 3 \text{ mA}; \quad I_{Leap} \leq (3 \text{ mA} - I_{Stat}) + 5 \text{ mA}$ $3 \text{ mA} < I_{Stat} \leq 5 \text{ mA}; \quad I_{Leap} \leq 8 \text{ mA} - I_{Stat}$ $I_{Stat} > 5 \text{ mA}; \quad I_{Leap} \leq 3 \text{ mA}$					

1.2.5 Receive Pin RxIN (Pin 13)

The Receive Pin RxIN is coupled to the EIB bus by an external capacitor.

Symbol	Parameter	Min	Max	Unit	Note
C _{REC}	external coupling capacitor	44.5	49.5	nF	typ.47 nF ¹⁾
¹⁾ external capacitor 47 nF/50V ± 5%					

1.2.6 Transmit Pin TxO (Pin 12)

The transmit pin is connected to EIB via external resistor of typ. 68Ω/1W (see Typical Application Circuits).

Symbol	Parameter	Min	Max	Unit	Note
V _{TRANS}	transmit voltage	-6	-9	V	1)
1) related to VB+					

1.2.7 Supply Pin VIF (Pin 3)

The Pin VIF is used as supply voltage for the pins TxD, RxD, RESn, TSTOUT, X1, X2 and determines their high input or output level.

Symbol	Parameter	Min	Max	Unit	Note
V _{IF}	external supply voltage for interface	3	5.5	V	1)
C _{VIF}	external storage capacitor	10		nF	2)
1) Typical supply voltages: 3.3 V or 5 V 2) Recommended					

1.2.8 Oscillator Pins X1 and X2 (Pins 17, 18)

The oscillator pins X1 and X2 are used to connect directly a quartz of 4.9152 MHz without additional external capacitors. These pins are ESD protected to VB - and VIF.

Symbol	Parameter	Min	Max	Unit	Note
$V_{X1/2}$	Oscillator voltage at X1 and X2	-0.5	VIF + 0.5	V	
V_{IL}	Voltage range for input low level	0	0.25 * VIF		
V_{IH}	Voltage range for input high level	0.75 * VIF	1.0 * VIF		
f_{clk}	Clock frequency	2,4576	4,9152	MHz	1)

1) 4,9152 MHz (DIV = VCC) or 2.4576 MHz (DIV = VB -); Tolerance: $\pm 0,05\%$; no other clock frequencies

Operation Mode	X1	X2
Normal Mode with external Clock	Clock	open
Analog Mode	VB-	open

1.2.9 Internal Clock Divider Pin DIV (Pin 6)

This input pin activates an internal 2:1 clock divider. If a 4.9152 MHz clock is used (quartz or external clock) then pin DIV must be connected to VCC. If an 2.4576 MHz clock is used (only external clock) then this pin must be connected to VB -.

Symbol	Parameter	Min	Max	Unit	Note
V_{IL}	voltage range for input low level	0	0.2 * VCC		
V_{IH}	voltage range for input high level	0.8 * VCC	1.0 * VCC		

1.2.10 Interface Pin RxD (Pin 20)

The UART interface input pin RxD **receives the information from host controller to control the transmitter** of the ASIC. This pin is an input pin with pull-down resistor. The switching levels are derived from external voltage supply VIF. This pin is ESD protected to VB- and VIF.

In normal mode: RxD = LOW \rightarrow RxD3 = HIGH \rightarrow transmitter switches on

In analog mode: RxD = HIGH \rightarrow RxD3 = HIGH \rightarrow transmitter switches on

Symbol	Parameter	Min	Max	Unit	Note
V_{IL}	voltage range for input low level	0	0.2 * VIF		
V_{ICH}	voltage range for input high level	0.8 * VIF	1.0 * VIF		
V_{hyst}	hysteresis for switching level	0.1 * VIF	0.4 * VIF		1)
$R_{PullDown}$	value of internal pull-down resistor	150	450	k Ω	typ.220 k Ω

1) switching level appr. VIF/2, i.e. $VIF/2 \pm V_{hyst}/2$

1.2.11 Interface Pin TxD (Pin 1)

The UART interface output pin TxD **transmits the information to host controller**. The high output level is derived from external voltage supply VIF. This pin is ESD protected to VB- and VIF.

In normal mode: LOW pulse at EIB bus → TxD3 = HIGH → TxD = LOW

In analog mode: LOW pulse at EIB bus → TxD3 = HIGH → TxD = HIGH

Symbol	Parameter	Min	Max	Unit	Note
V _{OH}	output voltage high	VIF - 0.8		V	I _{OH} = -5 mA
V _{OL}	output voltage low		0.5	V	I _{OL} = 5 mA
t _r , t _f	rise time, fall time (10 % ↔ 90 %)		100	ns	C _L = 150 pF

1.2.12 Reset Pin RESn (Pin 2)

This pin is an I / O pin with internal pull - up resistor to VIF.

In case of a reset the reset pin RESn delivers an active LOW signal to external host controller. The output driver is realized as open drain (NMOS - transistor). The reset state RESn = LOW can be caused by an internal RESET or by an external RESET due to forcing an active LOW to the pin RESn. The switching levels are derived from external voltage supply VIF. This pin is ESD protected to VB - and VIF.

Symbol	Parameter	Min	Max	Unit	Note
R _{PullUp}	value of internal pull-up resistor to VIF	10	25	kΩ	
V _{RESmax}	maximum voltage at RES pin		VIF + 0.5	V	
V _{IL}	voltage range for input low level	0	0.2 * VIF		
V _{IH}	voltage range for input high level	0.8 * VIF	1.0 * VIF		
V _{hyst}	hysteresis for switching level	0.1 * VIF	0.4 * VIF		1)
V _{OL}	output low voltage at 1V ≤ VCC < 4 V, I _{OL} = 1 mA		0.2	V	
V _{OL}	output low voltage at VCC ≤ 1V, VIF > 3 V, I _{OL} = 1 mA		0.2	V	
V _{OL}	output low voltage at VCC ≥ 4 V, I _{OL} = 3 mA		0.4	V	

1) Switching level appr. VIF/2, i.e. VIF/2 ± V_{hyst}/2

1.2.13 Save PIN SAVE (Pin 5)

This pin is an NMOS open drain output with internal pullup resistor to VIF.

In case of break-down of the bus voltage for more than typ. 1.5 ms (save condition) this pin delivers an active LOW signal to external host electronic. This pin is ESD protected to VB- and VIF.

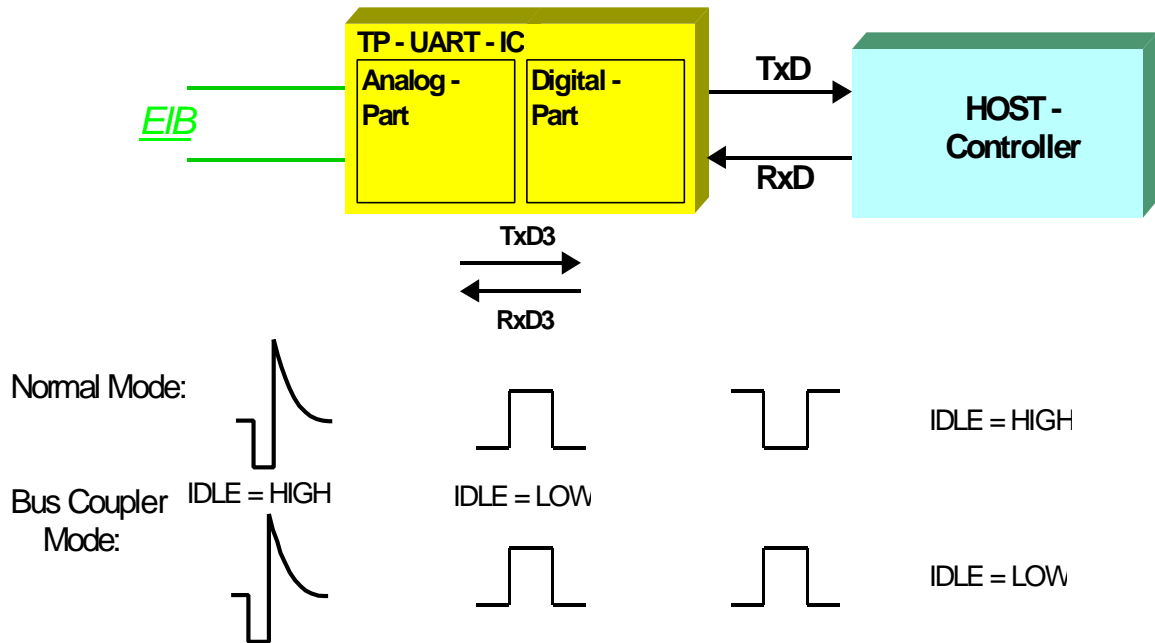
Symbol	Parameter	Min	Max	Unit	Note
R _{PullUp}	Value of internal pull-up resistor to VIF	10	25	kΩ	
V _{max}	maximum voltage at SAVE pin		VIF + 0.5	V	
V _{OL}	Output LOW voltage at VCC ≥ 4V		0.4	V	I _{OL} = 3 mA
t _{FRG2}	Delay from VB+ break-down to SAVE= LOW	0.7	3	ms	Typ. 1.5 ms

In order to reach a Buffertime of at least 60 ms for VCC (I_{VCC} ≤ 10 mA) the capacitor at VSP has to be 470 μF ±20 %

The reproduction, transmission or use of this document or its contents is not permitted without express written authority. All rights, including right created by patent grant or registration of a utility model or design, are reserved. Technical changes reserved.

2 Modes of Operation

2.1 Interface to the HOST Controller



2.2 Selection of Different Modes of Operation

It is possible to choose two different modes of operation: the normal mode and the analog mode. To work in one of those modes you have to adjust the mode control pins as it is shown in following table, in which is also demonstrated the usage of other pins:

Operating Modes	Mode Control Pins			Other Pins	
	Mode0 (Pin 14)	Mode1 (Pin 15)	Testmode (Pin 16)	TSTin_BDS (Pin 4)	TSTout_TW (Pin 19)
Normal Mode	1	1	0	= 1: 9.600 Baud = 0: 19.200 Baud	= 1: Temp. Warning ¹⁾ --> TxO disabled = 0: Temp. is OK
Analog Mode	1	0	0	do not care! (→ 19.200 Baud)	= 1: Temp. warning ¹⁾²⁾ --> TxO disabled = 0: Temp. is OK

¹⁾After a Temperature Warning was recognized, a second must at least be maintained until the next telegram is sent.

²⁾Transmission is stopped immediately by the TP_UART_IC.

2.2.1 Normal Mode

In the 'normal' operation mode both parts, digital and analog part, are working. The Idle-level on the UART-interface is 1.

(As it is shown in the above standing figure, in chapter 2.1)

The reproduction, transmission or use of this document or its contents is not permitted without express written authority. All rights, including right created by patent grant or registration of a utility model or design, are reserved. Technical changes reserved.

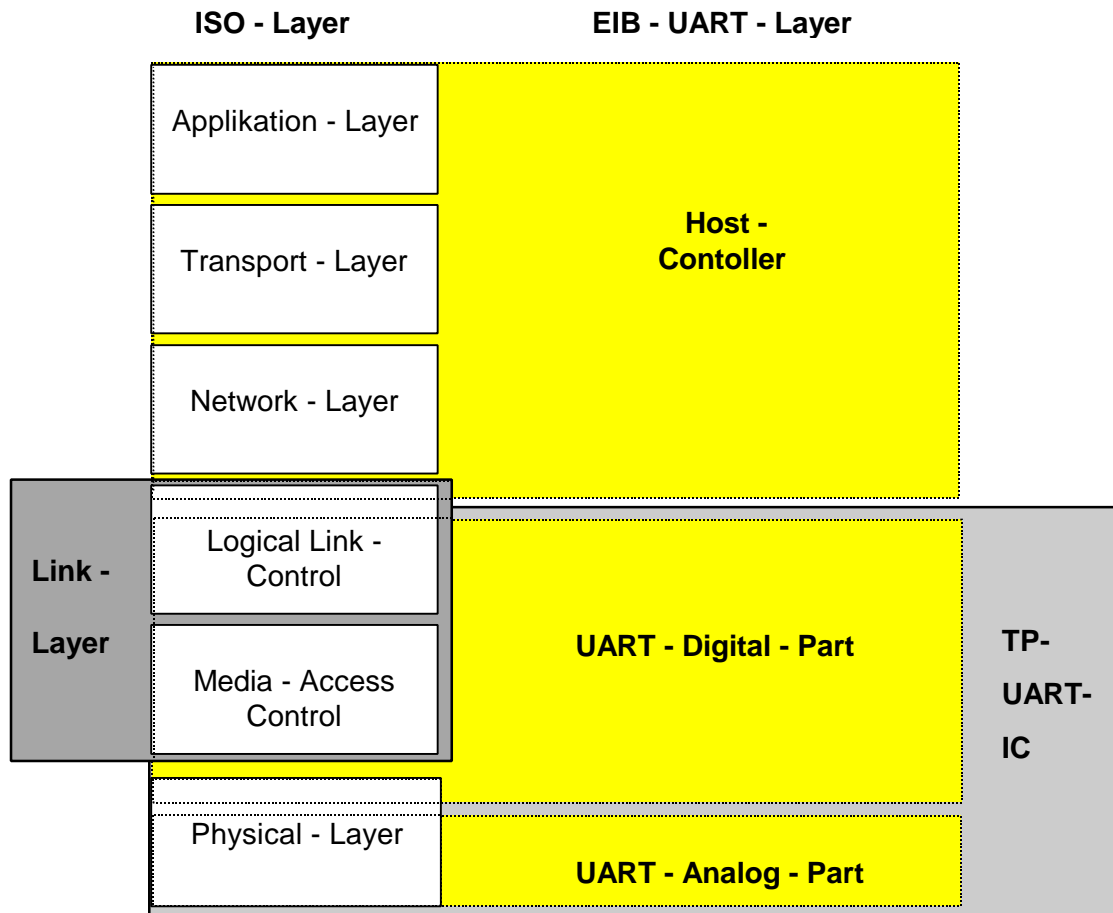
2.2.2 Analog / Bus Coupler Mode

In the 'analog' operation mode the analog part just works. The Idle-level on the UART-interface is 0.

(As it is shown in the above standing figure, in chapter 2.1)

3 The DIGITAL - PART

3.1 Relationship to ISO-Reference-Model



Tasks of the Logical Link - Control in:

TP - UART - IC : Checksum, Parity, Immediate Acknowledge, Repetition, Timing
 Host - Controller : Checksum, Parity, Addressing, Length

3.2 UART - Interface

3.2.1 Configuration and Timing

The TP-UART-IC has an UART-interface to transmit received EIB-telegrams. The baud rate is as it was mentioned before 19.2 or 9.6 kbaud.

The UART-interface has the following firm telegram structure:

1 start bit (= 0) / 8 data bits (LSB first) / 1 parity bit / 1 stop bit (= 1).

The signals can be transmit without a break and the Idle-level is 1.

The parity bit of every signal is checked while down loading and faults, which can appear, are transmitted to the host controller. The check mechanism runs also while receiving of telegrams from the EIB, but here isn't any possibility to transmit a fault to the host controller. In those cases the host controller has to recognize the parity faults in the transmitted telegrams by its own.

The reproduction, transmission or use of this document or it's contents is not permitted without express written authority. All rights, including right created by patent grant or registration of a utility model or design, are reserved. Technical changes reserved.

The UART-interface works with a clock frequency of 307,2 kHz, if it is chosen 9.6 kbaud (32 sample spots per bit), or 614,4 kHz, if it is chosen 19.2 kbaud (32 sample spots per bit).

3.2.2 Resetbehavior

After connecting the operating voltage the TP-UART-IC generates an active reset (level 0 V) at pin RESn. This is valid for all modes. If Normal Mode is activated the following will happen at the UART-interface.

TxD will be 0 as long as there was no bus signal on the EIB for 40 Tbit (1 Tbit = 1/9600 s; Attention: The bittime of RxD/TxD depends on the adjusted baudrate at the UART-interface, for example 1 Tbit or 0,5 Tbit). This results in a complete time of 40 Tbit + 12 Tbit = 5,42 ms. Then TxD changes for 1 Tbit to 1 and following the service TPUART-Reset.Indication is transmitted. This signal behavior on TxD appears after each reset.

3.2.3 UART-Protocol Definition

The protocol between TP-UART-IC and the application controller is a two wire protocol with software handshake. Each data byte transmitted to the TP-UART-IC is started with a control byte. Each data byte received on the EIB is transparently transmitted through the TP-UART-IC and is therefore started with the EIB control field. Additional Information from the TP-UART-IC is transmitted with an ESC code on the EIB control field. The host controller which is connected to the TP-UART-IC needs to detect a receive time-out of 2 to 2,5 ms to detect an end of Packet.

3.2.3.1 Services to UART

The following Services are supported from the TP-UART-IC.

- U_Reset.request
- U_State.request
- U_Activate Busmonitor
- U_AckInformation (Nack, Busy, Addressed)
- U_L_DataStart + CTRL-Byte
- U_L_DataContinue (index) + Data-Byte
- U_L_DataEnd + Checksum
- U_PollingState (Slotnumber) + PollAddrHigh + PollAddrLow + State

UART-Control Field								Service name	Hexadecimal	
7	6	5	4	3	2	1	0			
0	0	0	0	0	0	0	1	U_Reset.request	01	
0	0	0	0	0	0	1	0	U_State.request	02	
0	0	0	0	0	1	0	1	U_ActivateBusmon	05	
0	0	0	1	0	X	X	X	U_AckInformation	10 - 17	xxx: Nack, Busy, Addressed
1	0	0	0	0	0	0	0	U_L_DataStart	80	
1	0	i	i	i	i	i	i	U_L_DataContinue	81 - BE	i = Index 1 .. 62
0	1	l	l	l	l	l	l	U_L_DataEnd	47 - 7F	l = last index + 1 7 .. 63
1	1	1	0	s	s	s	s	U_PollingState	E0 - EF	s = Slotnumber 0 .. 14

www.DataSheet4U.com

The reproduction, transmission or use of this document or its contents is not permitted without express written authority. All rights, including right created by patent grant or registration of a utility model or design, are reserved. Technical changes reserved.

3.2.3.1.1 U_Reset.request-Service

Resets the TP-UART-IC to the initial state. At start-up the TP-UART-IC waits for a bus free time-out before sending a U_Reset.indication-Service to the host controller. To be sure that TP-UART-IC is in reset state the host controller has to wait for 50 ms and after that the U_Reset.request-Service can be send.

UART-Control Field (01 _{hex})							
7	6	5	4	3	2	1	0
0	0	0	0	0	0	0	1

3.2.3.1.2 U_State.request-Service

Requests the internal communication state from TP-UART-IC. The TP-UART-IC answers with the communication state.

UART-Control Field (02 _{hex})							
7	6	5	4	3	2	1	0
0	0	0	0	0	0	1	0

3.2.3.1.3 U_ActiveBusmon-Service

Activates the busmonitor mode. That means each byte which is received on the EIB is sent through the TP-UART-IC as well as illegal control bytes and not used immediate ACK. The TP-UART-IC is absolute quiet (not sending) on the EIB. The busmonitor mode can only left by using the U_Reset.request-Service.

UART-Control Field (05 _{hex})							
7	6	5	4	3	2	1	0
0	0	0	0	0	1	0	1

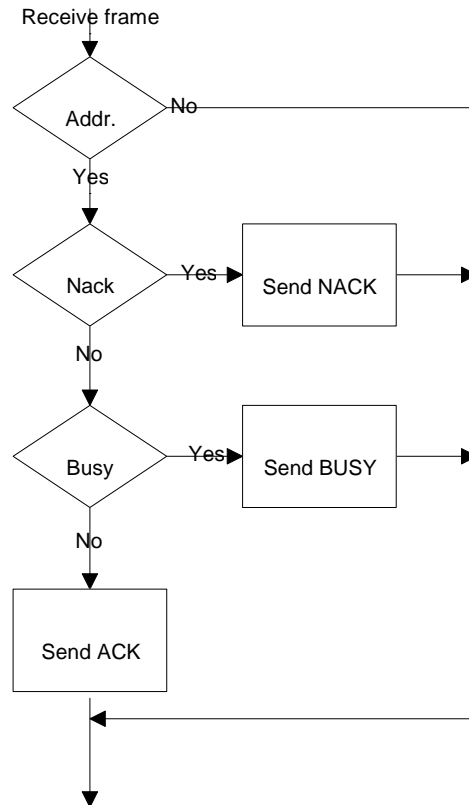
3.2.3.1.4 U_AckInformation-Service

The U_AckInformation-Service is to indicate if the device is addressed. This service must be send latest 1,7 ms (9600 Baud) after receiving the address type octet of an addressed frame. The nack- / busy- / addressed-bits set internal flags in the TP-UART-IC. The internal NACK flag is also be set by the TP-UART-IC itself if it is detecting any frame error.

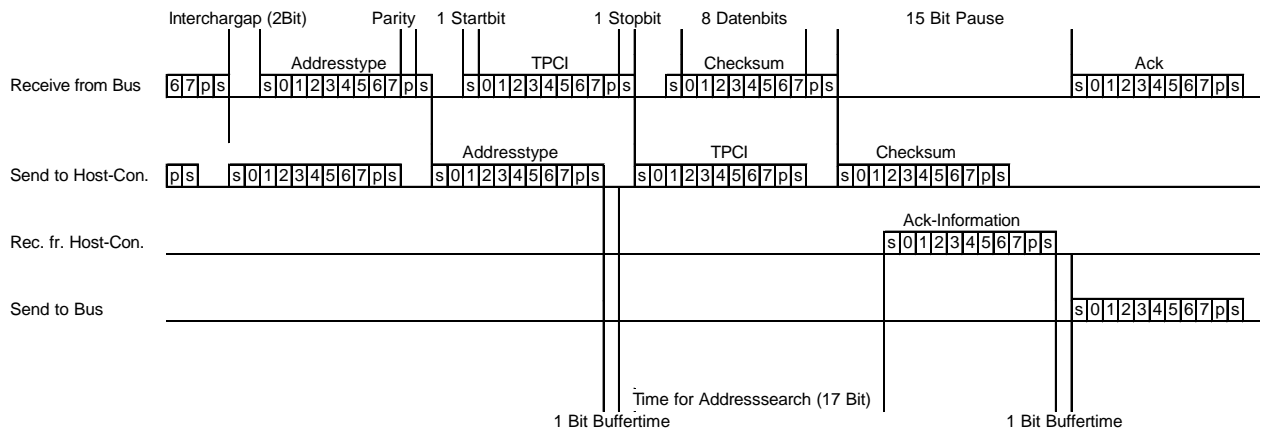
If the TP-UART-IC receive this service and the addressed bit is set it will generate an ACK-, NACK- or BUSY-frame on the EIB depending on the settings of the NACK- / BUSY-flags.

UART-Control Field							
7	6	5	4	3	2	1	0
0	0	0	1	0	x	x	X
AckInformation					1: Nack	1: Busy	1: Addr 0: NotAddr

Ack / Nack / Busy Generation of the TP- UART:



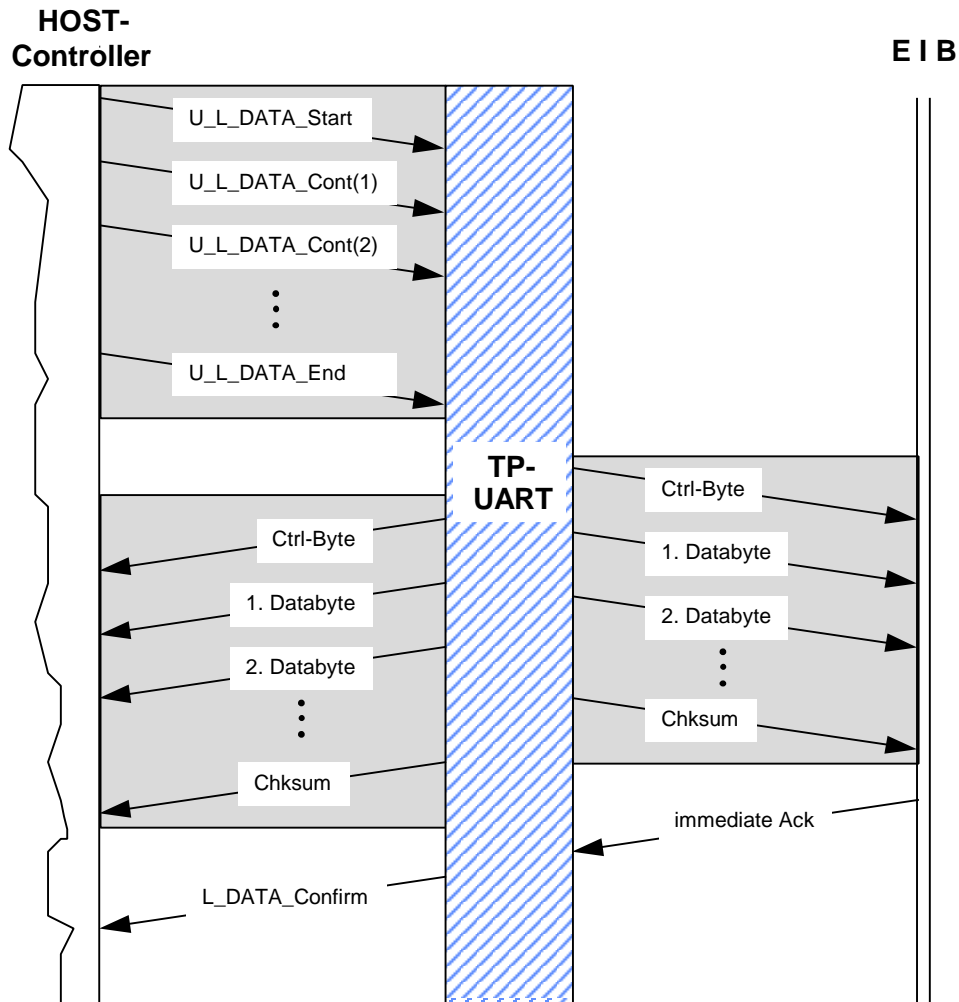
Timing for sending U_AckInformation (9600 Baud):



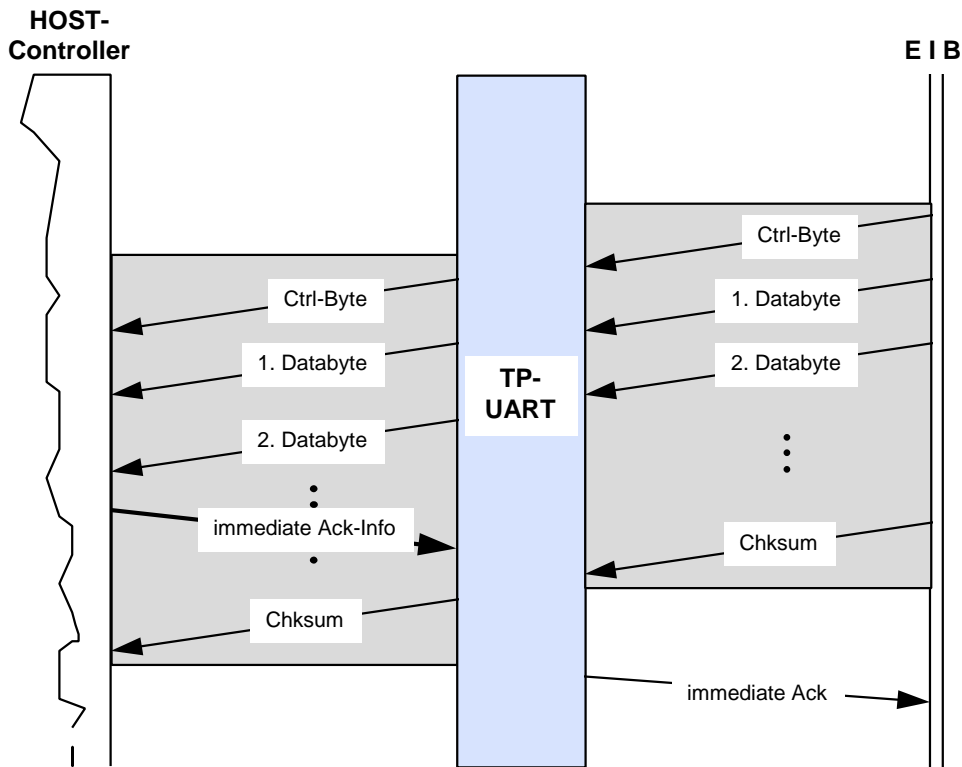
3.2.3.1.5 U_L_Data-Service

The U_L_Data-Services are used to transfer the complete EIB-Link-Layer-Frame to the TP-UART-IC.

TP-UART-IC sending telegram:



TP-UART-IC receiving telegram:



3.2.3.1.5.1U_L_DataStart-Service

The U_L_DataStart-Service initialize the TP-UART-IC to receive a complete EIB-Link-Layer-Frame from Host Controller. As additional data the EIB control byte is transmitted which is the control field of the L_Data-frame or L_Polldata-frame. If the repetition flag in the control byte is just cleared the TP-UART-IC transmits the frame only once with repetition flag set.

UART-Control Field (80 _{hex})								Additional Information							
7	6	5	4	3	2	1	0	7	6	5	4	3	2	1	0
1	0	0	0	0	0	0	0	F	F	R	1	c	c	0	0
L-Data				Data-Index 00 = Start				EIB control field							

FF = Frame Format

- 10 Standard Length L_DATA-EIB-Frame
- 00 Long L_DATA-Frames
- 11 Polling Frame

R = Repeat-flag (on the EIB 1 = not repeated, 0 = repeated)

- 1 = repeat the telegram on the EIB 3 times
send first time with repeat flag = 1 and repeat with repeat flag = 0
- 0 = don't repeat the telegram on the EIB; send only once with repeat flag = 1

CC = Class:

control field	data link frame type	class	repeat flag (0 = repeated)
FFR1 cc00			
FFR1 0000	L_DATA request	system	set by TP-UART-IC
FFR1 1000	L_DATA request	alarm	set by TP-UART-IC
FFR1 0100	L_DATA request	high	set by TP-UART-IC
FFR1 1100	L_DATA request	normal	set by TP-UART-IC
1111 0000	L_POLLDATA request	system priority	= 1

3.2.3.1.5.2U_L_DataContinue-Service

The U_L_DataContinue-Service transmits one byte containing an EIB-L_Data-Frame to the TP-UART-IC. The index starts with 1 and the maximum value is 62 depending on the length of the frame. But the EIB confirms just the length of 22 Bytes.

UART-Control Field								Additional Information							
7	6	5	4	3	2	1	0	7	6	5	4	3	2	1	0
1	0	i	i	i	i	i	i	d	d	d	d	d	d	d	d
L-Data		Index						EIB-Data Byte for L-Data-Frame							

3.2.3.1.5.3U_L_DataEnd-Service

The U_L_DataEnd-Service marks the end of the transmission of the EIB frame. After receiving this service the TP - UART controls the checksum and in case of correctness it starts the transmission on the EIB, else the UART returns a state indication with receive-error flag is set.

UART-Control Field(40 _{hex})								Additional Information							
7	6	5	4	3	2	1	0	7	6	5	4	3	2	1	0
0	1	l	l	l	l	l	l	c	c	c	c	c	c	c	c
L-Data		last index + 1						Checksum							

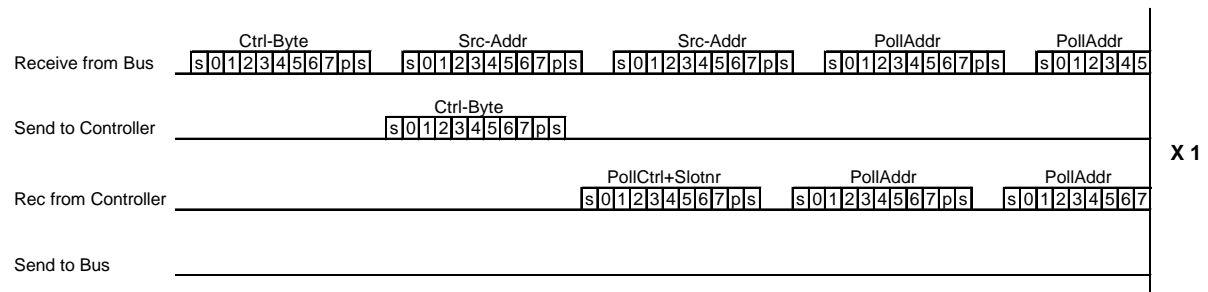
3.2.3.1.6 U_Polling-State

This service must be send to the TP-UART-IC if a polling-frame-control-byte is received. If the TP-UART-IC detects a collision during sending the slave slot to the EIB TP - UART generates a state indication with the slave collision flag set.

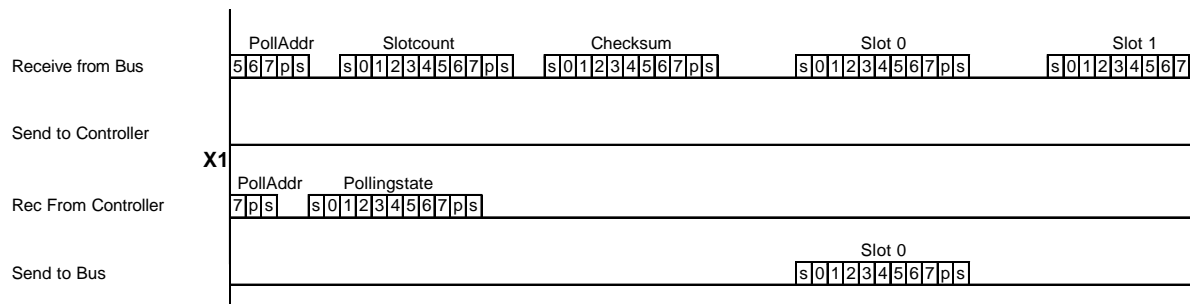
UART-Control Field								Polling Address High							
7	6	5	4	3	2	1	0	7	6	5	4	3	2	1	0
1	1	1	0	s	s	s	s	c	c	c	c	c	c	c	c
Slotnumber															

Polling Address Low								Polling State							
7	6	5	4	3	2	1	0	7	6	5	4	3	2	1	0
c	c	c	c	c	c	c	c	c	c	c	c	c	c	c	c

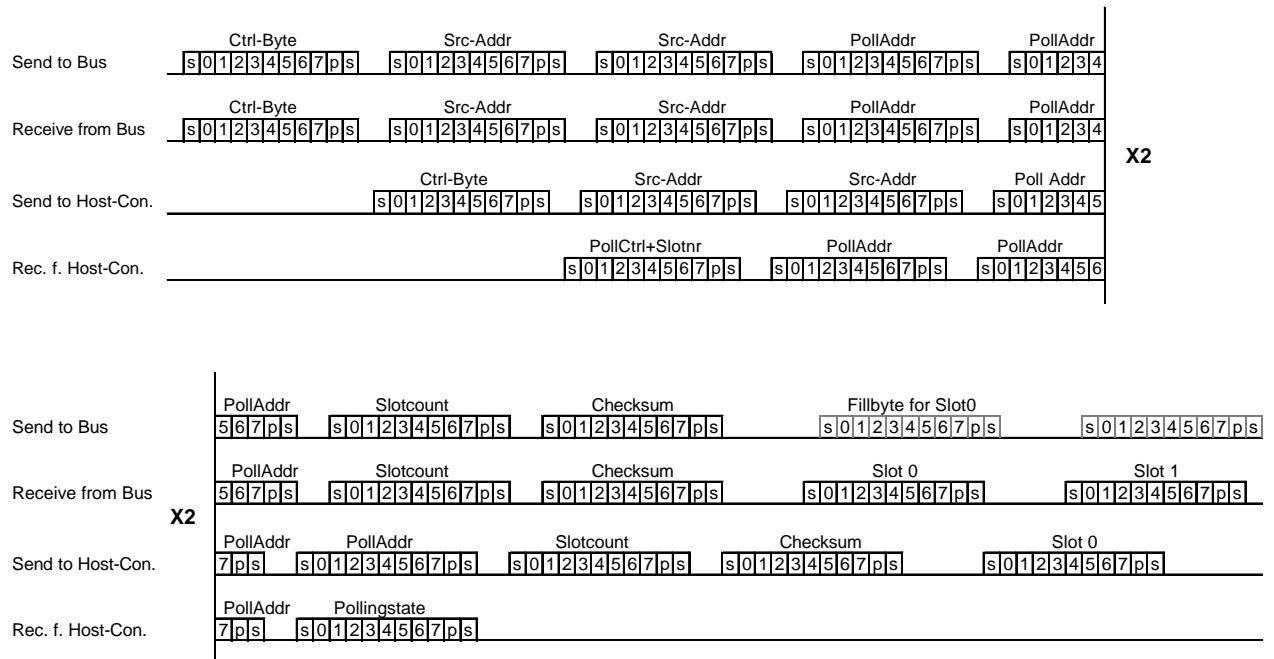
Timing for U_PollingState-Service (9600 Baud):



continuos ...



Timing for U_PollingState-Service for a Master (9600 Baud):



3.2.3.2 Services from UART

The first character of each service which is sent to the host controller is the control field. The control field contains the information about the TP - UART-Service. There are 3 types of services which can be send to the host controller: the EIB-Layer-2-Services, the Immediate-Acknowledge-Services and the special TP – UART - Services. The EIB-Layer-2-Services contain information about their class and also a flag which contains the information whether the LPDU is a repeated one, or not. The Immediate-Acknowledge-Services include information about a successful sending. The TP – UART - Services are to inform the host controller about the communication state or to reset the communication.

Control Field							
7	6	5	4	3	2	1	0

Layer-2 Services

repeat flag
class
class

repeat flag = 0: repeated L_DATA frame
repeat flag = 1: not repeated

1	0	r	1	c1	c0	0	0	L_DATA.ind
0	0	r	1	c1	c0	0	0	L_LONG_DATA.ind
1	1	1	1	0	0	0	0	L_Poll_Data.ind

c1	c0	
0	0	system priority
1	0	alarm priority
0	1	high priority
1	1	low priority

Immediate Acknowledge Services

1	1	0	0	1	1	0	0	Acknowledge frame
0	0	0	0	1	1	0	0	NotAcknowledge frame
1	1	0	0	0	0	0	0	Busy frame

EIBUART-Control-Services

0	0	0	0	0	0	1	1	Reset-Indication
x	x	x	x	x	1	1	1	State-Response/Indication
x	0	0	0	1	0	1	1	L_DATA.confirm

x = 1 Positive Confirm x = 0 Negative Confirm

3.2.3.2.1 Layer-2-Services

The Layer-2-Services include all standard EIB Link-Layer-Services. The control fields are followed by the data of the EIB frame. All bytes received on the EIB are immediately sent to the host controller. The host controller has to detect a end of packet time out by supervising the EOP gap of 2 to 2.5 bittimes.

control field	Hexadecimal long/normal	data link frame type	class	Repeat flag (0 = repeated)
FFr1 cc00				
FF11 0000	30/B0 _{Hex}	L_DATA request	system	Not repeated
FF01 0000	10/90 _{Hex}	L_DATA request	system	Repeated
FF11 1000	38/B8 _{Hex}	L_DATA request	alarm	Not repeated
FF01 1000	18/98 _{Hex}	L_DATA request	alarm	Repeated
FF11 0100	34/B4 _{Hex}	L_DATA request	high	Not repeated
FF01 0100	14/94 _{Hex}	L_DATA request	high	Repeated
FF11 1100	3C/BC _{Hex}	L_DATA request	normal	Not repeated
FF01 1100	1C/9C _{Hex}	L_DATA request	normal	Repeated
1111 0000	F0 _{Hex}	L_POLLDATA request	system	

The frame format 01 is not supported.

For a complete description of the Link-Layer service see the EIB - Handbook.

The reproduction, transmission or use of this document or it's contents is not permitted without express written authority. All rights, including right created by patent grant or registration of a utility model or design, are reserved. Technical changes reserved.

Each L_Data-request is transmitted completely to the host controller. If TP - UART is polling master the complete polling frame is transmitted to the host controller and regardless of whether a collision is detected while sending the polling frame, or not. In case TP - UART is polling slave just the control byte out of L_PollData-request is transmitted to the host controller.

3.2.3.2.2 Acknowledge-Services

Acknowledge-Services are just transmitted to the host controller in busmonitor mode.

The short acknowledgment frame format consists of 15 Tbit (1 Tbit = 1/9600 s) idle time followed by a single character which is used to acknowledge a L_Data.req frame. The following figure shows the corresponding codes of the short acknowledgment.

Octet 0								
Short ACK								
8	7	6	5	4	3	2	1	
1	1	0	0	1	1	0	0	ACK
0	0	0	0	1	1	0	0	NACK
1	1	0	0	0	0	0	0	BUSY

3.2.3.2.3 TP-UART-Control-Services

The TP-UART-Control-Services are services which exist only on this interface. They have to reset the communication or to inform the host controller about the actual state.

3.2.3.2.3.1 TP-UART-Reset.indication-Service

The Reset.indication-Service is sent after each reset (e.g. TP_UART_Reset.req).

TP-UART-Control Field							
7	6	5	4	3	2	1	0
0	0	0	0	0	0	1	1

3.2.3.2.3.2 TP-UART-State.indication/response-Service

The TP-UART-State.response-Service is sent if an U_State.request-Service was received from the host controller. In case of a slave collision, receive error, checksum error or protocol error the TP-UART-IC sends a State.indication-Service.

TP-UART-Control Field							
7	6	5	4	3	2	1	0
SC	RE	TE	PE	TW	1	1	1

- SC = Slave Collision
- RE = Receive Error (checksum, parity or bit error)
- TE = Transmitter Error (send 0 receive 1)
- PE = Protocol Error (e.g. illegal control byte)
- TW = Temperature Warning¹⁾

¹⁾After a temperature warning was received, a second must at least be maintained until the next telegram is sent.

The reproduction, transmission or use of this document or its contents is not permitted without express written authority. All rights, including right created by patent grant or registration of a utility model or design, are reserved. Technical changes reserved.

Attention: A received L_Data frame can follow the State-Indication without any delay.

3.2.3.2.3 TP-UART-L_Data.confirm Service

The L_DATA.confirm service is transmitted to the host controller if an acknowledge was received or the last repetition is transmitted and no acknowledge was received.

TP-UART-Control Field							
7	6	5	4	3	2	1	0
x	0	0	0	1	0	1	1

X = 1 → The transmission of the L_DATA frame was successful

X = 0 → The transmission of the L_DATA frame was not successful

4 INTERFACE BLOCK DIAGRAM

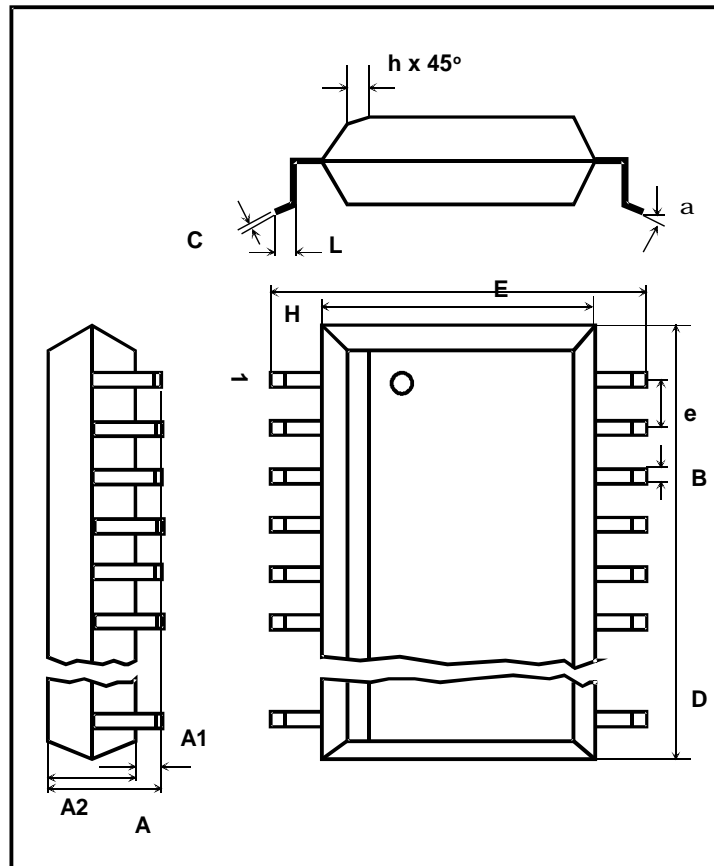
PIN Description

(The drawing of the pins is shown on first page)

Pin #	Name	Type	Description
1	TxD	OUT	data transmit to host controller
2	RESn	IO_HYST	reset pin
3	VIF	SUPPLY	external supply (5V or 3.3V)
4	TSTIN_BDS	IO	input for digital test / baud rate select; output for analog test
5	SAVE	OUT	save pin
6	DIV	IN	internal clock divider 2:1 active
7	VCC	POWER	external power supply 5 V
8	CSA	ANALOG	current changing rate control
9	VSP	POWER	interstate voltage blocking capacitor
10	VB+	POWER	positive bus pin
11	VB-	POWER	negative bus pin
12	TXO	ANALOG	transmit output current (bus signal)
13	RxIN	ANALOG	capacitive coupling of bus signal
14	MODE0	IN	mode control pin 1
15	MODE1	IN	mode control pin 2
16	TESTMODE	IN	mode control pin 3
17	X1	IN	crystal oscillator pin 1, external clock
18	X2	IN	crystal oscillator pin 2
19	TSTOUT_TW	OUT	digital test / temperature signal
20	RxD	IN_HYST	data receive from host controller

5 MECHANICAL SPECIFICATION

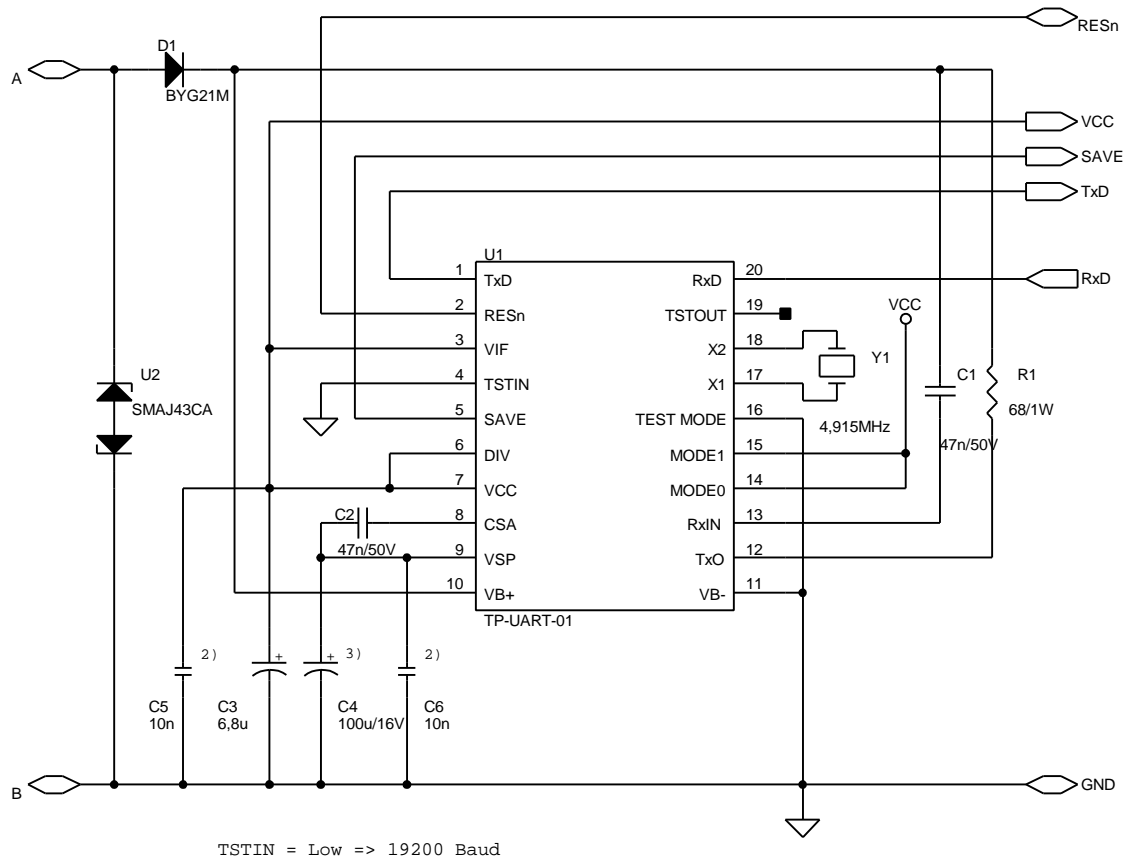
SOIC 20 (300 MIL)			
Dimensions (mm)			
	min.	nom.	Max.
A	2.46	2.56	2.64
A1	0.127	0.22	0.29
A2	2.29	2.34	2.39
B	0.35	0.41	0.48
C	0.23	0.25	0.32
D	12.70	12.83	12.95
E	7.42	7.52	7.59
e	1.27 BSC		
H	10.16	10.31	10.41
h	0.25	0.33	0.41
L	0.61	0.81	1.02
α	0°	5°	8°



6 APPENDIX

6.1 Typical Application Circuits

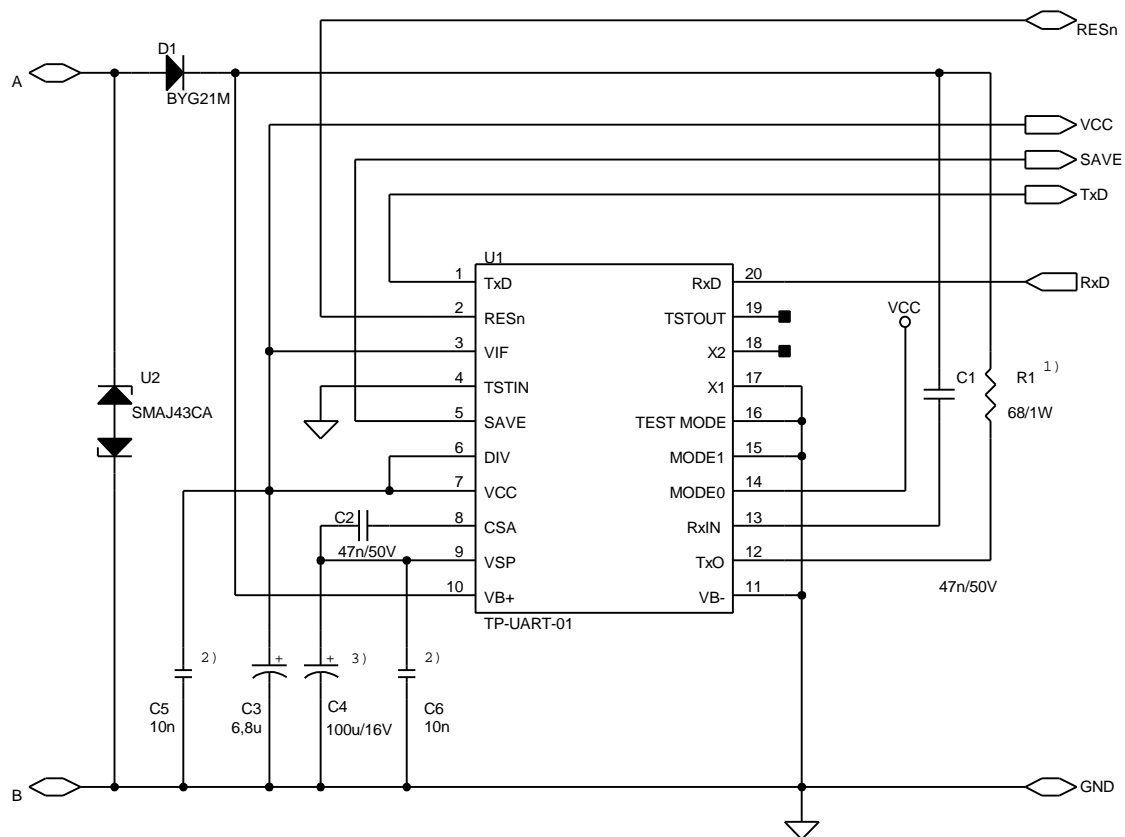
6.1.1 Normal Mode



²⁾ recommended (close to Pins VSP and VCC)

³⁾ Buffertime of VCC after SAVE active, see 1.2.13

6.1.2 Analogmode



1) The maximum average powerdissipation of the transmitting resistance of 1 W is valid for an active telegramrate of 50 %

2) recommended (close to Pins VSP and VCC)

3) Buffertime of VCC after SAVE active, see 1.2.13

6.1.3 PART LIST *)

No.	Component	Type/Value	Remarks
U1	IC	TP-UART-IC	
U2	Suppressor Diode	SMAJ43CA	Manufacturer: General Semiconductor
D1	Rectifier Diode	BYG21M	Fast rectifier, Manufacturer: Vishay, Temic
C1, C2	Capacitor	47nF/50V/ ±5%	Ceramic
C3	Capacitor	6,8uF/6.3V/ ±20%	Electrolytic, useful life at 105°C : 2000h
C4	Capacitor	100uF/16V/ ±20%	Electrolytic, useful life at 105°C : 2000h
C5, C6	Capacitor	10nF/50V/ ±10%	Ceramic
R1	Resistor	68/±5%	1W
Y1	Quarz	4.9152MHz/50ppm/30pF	

*)additional components may be required because of EMC

6.2 Galvanic Isolation

The interface pins TxD, RxD and TSTOUT_TW are prepared for galvanic isolation with optocouplers. The interface output pins TxD and TSTOUT_TW provide a driver current of 5 mA, thus the transmitting diode of an optocoupler can be connected directly. The interface input pin RxD is implemented as a Schmitt Trigger. There are no additional level shifters after the output of the optocoupler necessary.

In Normal Mode it is possible to recognize a reset via TxD without an additional optocoupler. Please refer to 3.2.2. A busvoltage breakdown can also be monitored if in quiescent state the transmitting diode belonging to TxD is active.

The data contained herein are subject to change without notice. Siemens does not warrant for correctness or completeness of the documentation or that the products described are qualified for certification.

The reproduction, transmission or use of this document or its contents is not permitted without express written authority. All rights, including right created by patent grant or registration of a utility model or design, are reserved. Technical changes reserved.