

TPC-120H

12.1" SVGA TFT LCD XScale PXA270 Touch Panel Computer with CAN-bus



Features

- Intel® PXA270 processor on board
- 12.1" SVGA TFT LCD
- Super slim and compact design with Al-Mg housing
- Fanless cooling system
- NEMA4/IP65 compliant front panel
- Automatic data flow control RS-485
- Built-in flash memory and Windows CE OS
- CAN-bus 2.0B supported (optional)

Introduction

TPC-120H models are compact platforms without redundant functions that have been designed for operator interface applications. Its RISC kernel, Intel PXA, consumes minimum power without sacrificing performance. With a high quality TFT LCD display, TPC-120H models support two 10/100BASE-T Ethernet ports to offer solid communication ability, and comes bundled with a Windows CE OS to support thin-client solutions.

Specifications

General

- **Certifications** BSMI, CCC, CE, FCC, UL
- **Cooling System** Fanless design
- **Dimensions (W x H x D)** 311 x 237 x 52 mm (12.24" x 9.33" x 2")
- **Enclosure** Front bezel: Al-Mg
Back housing: ABS
- **Mounting** Desktop, swing arm or wall (with mounting kit)
- **OS Support** Windows CE 5.0 (English Version)
- **Power Consumption** 20 W (typical)
- **Power Input** 18 ~ 32 V_{DC}
- **Watchdog Timer** 1.6 sec (system)
- **Weight (Net)** 2.2 kg (4.85 lbs)

System Hardware

- **CPU** Intel PXA 270 520MHz
- **Memory** 64MB on board SDRAM
- **LAN** 10/100Base-T x 2
- **Storage** 64 MB MDOC on board
CompactFlash® slot x 1 (GPIO)
- **I/O** Full RS-232 x 2 (COM1, 2)
4-pin RS-232/RS-485 x 1 (COM3)
USB 1.1 x 2
Isolated CAN 2.0B Interface x 1 (Optional)
CAN Controller: SJA-1000
CAN Transceiver: 82C250

LCD Display

- **Display Type** SXGA TFT LCD
- **Display Size** 12.1"
- **Max. Resolution** 800 x 600
- **Max. Colors** 262 K
- **Luminance cd/m²** 340
- **Viewing Angle (H/V°)** 100/60
- **Backlight Life** 50,000 hrs
- **Contrast Ratio** 300 : 1

Touchscreen

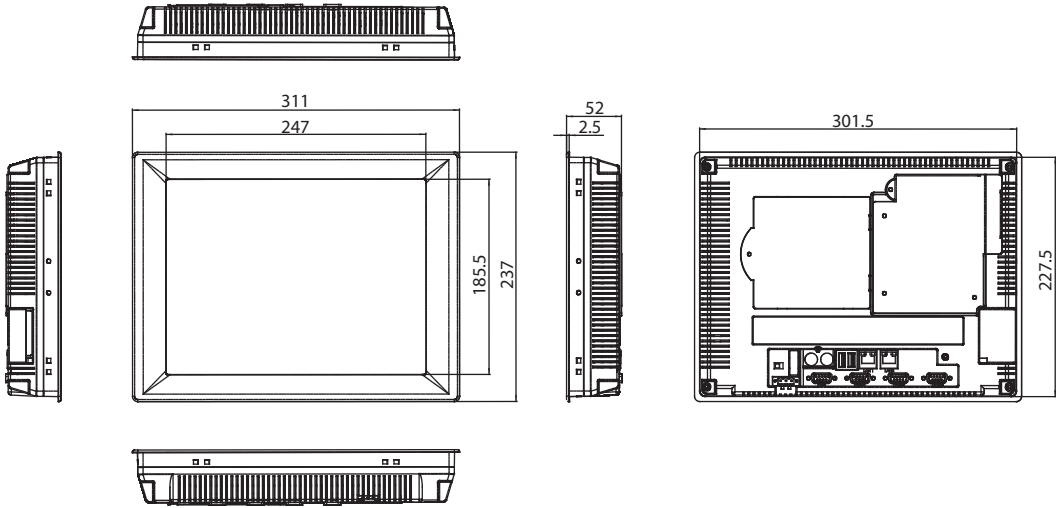
- **Lifespan** 1 million touches at single point
- **Light Transmission** Above 75%
- **Pixel Pitch (H x V)** 0.3075 x 0.3075 mm
- **Resolution** Linearity
- **Type** 8-wire, analog resistive

Environment

- **Humidity** 10 ~ 95% RH @ 40° C, non-condensing
- **Ingress Protection** Front panel: NEMA4, IP65
- **Operating Temperature** 0 ~ 50° C (32 ~ 122° F)
- **Storage Temperature** -20 ~ 60° C (-4 ~ 140° F)
- **Vibration Protection** 1 Grms (5 ~ 500 Hz)
(Operating, random vibration)

Dimensions

Unit: mm

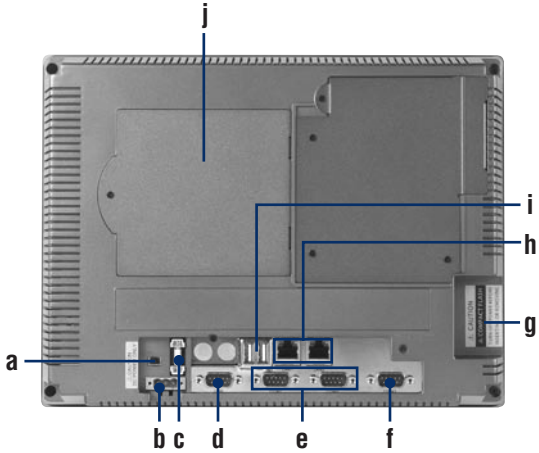


Panel Cut-out Dimensions: 302.5 x 228.5 mm

Ordering Information

- **TPC-120H-E2AE** 12" VGA Touch Panel PC, PXA270 416 MHz, CAN-bus
- **TPC-1261H-SMKE** TPC-1261H/120H Desktop Stand
- **TPC-1261H-WMKE** TPC-1261H/120H Wallmount Kit
- **TPC-120H-ECME** CAN-bus 2.0 module
- **PWR-247-AE** 24 V 50 W AC-DC Power Adapter

Rear View



- a. Power Switch
- b. Power Receptor
- c. Fuse (3.15A)
- d. CAN Port
- e. COM Port (RS-232)
- f. COM (RS-232/485)
- g. CompactFlash
- h. LAN (10/100)
- i. USB 1.1
- j. CAN Module Cover