

TPF0712 is a 1 : 1 line matching transformer with the following features:

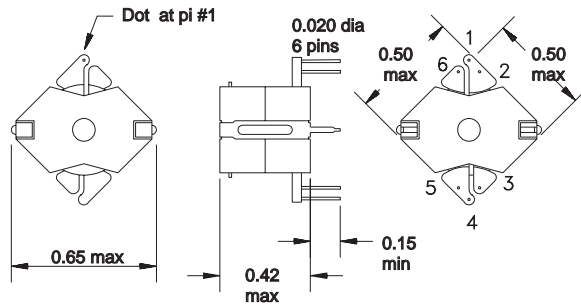
- Small size.
- Conforming to FCC part 68 and CS 03 regulations.
- Low cost.

Applications:

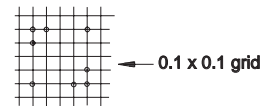
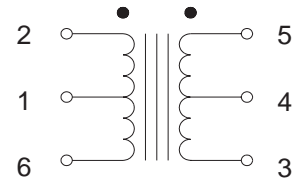
Interfacing of Telecommunications equipment to 600Ω lines.



MECHANICAL



All dimensions are in inches



Drill pattern

ELECTRICAL

TPF0712 has the following electrical performance when terminated with 600Ω impedance

Frequency Response	< 2 dB	300 Hz - 5000 Hz
Insertion Loss	< 2 dB	@ 1000 Hz
Harmonic Distortion	1 % Max	@ 300 Hz with 0 dBm input
Dielectric Strength	1500 Vrms	winding to winding & windings to core

TPF0712
ISSUE : C 95/04/05