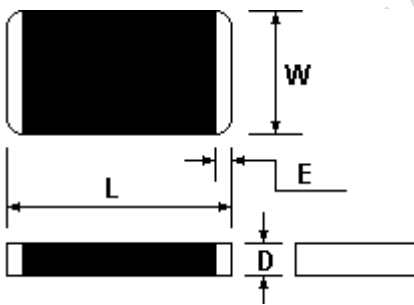


Multilayer Ceramic SMD Varistor

TPI Surface Mount MH-Auto Series

TPI Model Number	Working Voltage (MAX)		Breakdown Voltage	Peak Current (MAX)	Clamping Voltage (MAX)		Typical Capacitance
	AC (V _{RMS})	DC (V)			1mA (V)	8/20μs (A)	
TPI0805MH240Auto	14	18	24(22.5~27.5)	100	1.0	40	350~450
TPI0805MH270Auto	17	22	27(23~31)	100	1.0	45	300~400
TPI0805MH470Auto	30	38	47(45.5~53)	100	1.0	77	180~280
TPI1206MH240Auto	14	18	24(22.5~27.5)	150	1.0	40	650~800
TPI1206MH270Auto	17	22	27(23~31)	150	1.0	45	600~750
TPI1206MH470Auto	30	38	47(45.5~53)	150	1.0	77	330~400
TPI1210MH240Auto	14	18	24(22.5~27.5)	250	2.5	40	1100~1600
TPI1210MH270Auto	17	22	27(23~31)	250	2.5	45	1000~1500
TPI1210MH470Auto	30	38	47(45.5~53)	250	2.5	77	500~700
TPI1812MH240Auto	14	18	24(22.5~27.5)	500	5.0	40	4200~5200
TPI1812MH270Auto	17	22	27(23~31)	500	5.0	45	2700~4200
TPI1812MH470Auto	30	38	47(45.5~53)	500	5.0	77	1400~1700
TPI2220MH240Auto	14	18	24(22.5~27.5)	1000	10.0	40	8500~11500
TPI2220MH270Auto	17	22	27(23~31)	1000	10.0	45	8200~10500
TPI2220MH470Auto	30	38	47(45.5~53)	1000	10.0	77	3300~3800



Type	L mm	W mm	D mm	E Mm
TPI 0805 MH	2.0±0.20	1.25±0.15	1.2 max	0.3+0.1/-0.1
TPI 1206 MH	3.2±0.20	1.6±0.15	1.5 max	0.5+0.2/-0.2
TPI 1210 MH	3.2±0.20	2.5±0.20	1.5 max	0.5+0.2/-0.2
TPI 1812 MH	4.5±0.20	3.2±0.15	2.0 max	0.5+0.3/-0.1
TPI 2220 MH	5.7±0.20	5.0±0.20	2.5 max	0.3+0.5/-0.1

NOTES :

- MH-series Transient Voltage Suppressors (TVS) are especially developed for the automobile control system
- In order to satisfy the applications of customer in various fields, the capacitance range can be designed during manufacturing according to the request, please contact our sales department if needed.