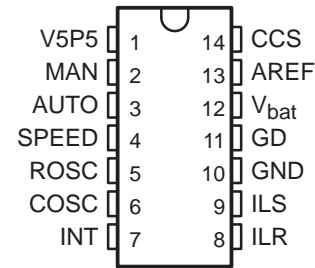


- 0 V to 16 V, 50 mA Max PWM Gate Drive Output
- Dual Speed Command Input Capability
- Effective Motor Voltage Adjustment
- 100% Duty Cycle Capability
- Low Current (<200 μ A) Sleep State
- Built-in Soft Start
- Over/Under Voltage Protection
- Over Current Protection of External FET/IGBT

D or N PACKAGE
(TOP VIEW)



description

The TPIC2101 is a monolithic integrated control circuit designed for direct current (dc) brush motor control that generates a user-adjustable, fixed-frequency, variable duty cycle, pulse width modulated (PWM) signal primarily to control rotor speed of a permanent magnet dc motor. The TPIC2101 can also be used to control power to other loads such as solenoids and incandescent bulbs. This device drives the gate of an external, low side NMOS power transistor to provide PWM controlled power to a motor or other loads. Inductive current from motor or solenoid loads during PWM off-time is recirculated through an external diode.

The TPIC2101 accepts a 0% to 100% PWM signal (auto mode) or a 0 V to 2.2 V differential voltage (manual mode), and internally engages the correct operating mode to accept the input type.

The device operates in a sleep state, a run state, or a fault state. In the sleep state the gate-drive (GD) terminal is held low and the overall current draw is less than 200 μ A. The normal operating mode of the device is in the run state and is initiated by any speed command. When the device detects an overvoltage or current fault, it enters the fault state.

The TPIC2101 is offered in a 14-terminal plastic DIP (N) package, and a SOIC (D) package, and is characterized for operation over the operating free-air temperature range of -40°C to 105°C .



Please be aware that an important notice concerning availability, standard warranty, and use in critical applications of Texas Instruments semiconductor products and disclaimers thereto appears at the end of this data sheet.

PRODUCTION DATA information is current as of publication date. Products conform to specifications per the terms of Texas Instruments standard warranty. Production processing does not necessarily include testing of all parameters.

**TEXAS
INSTRUMENTS**

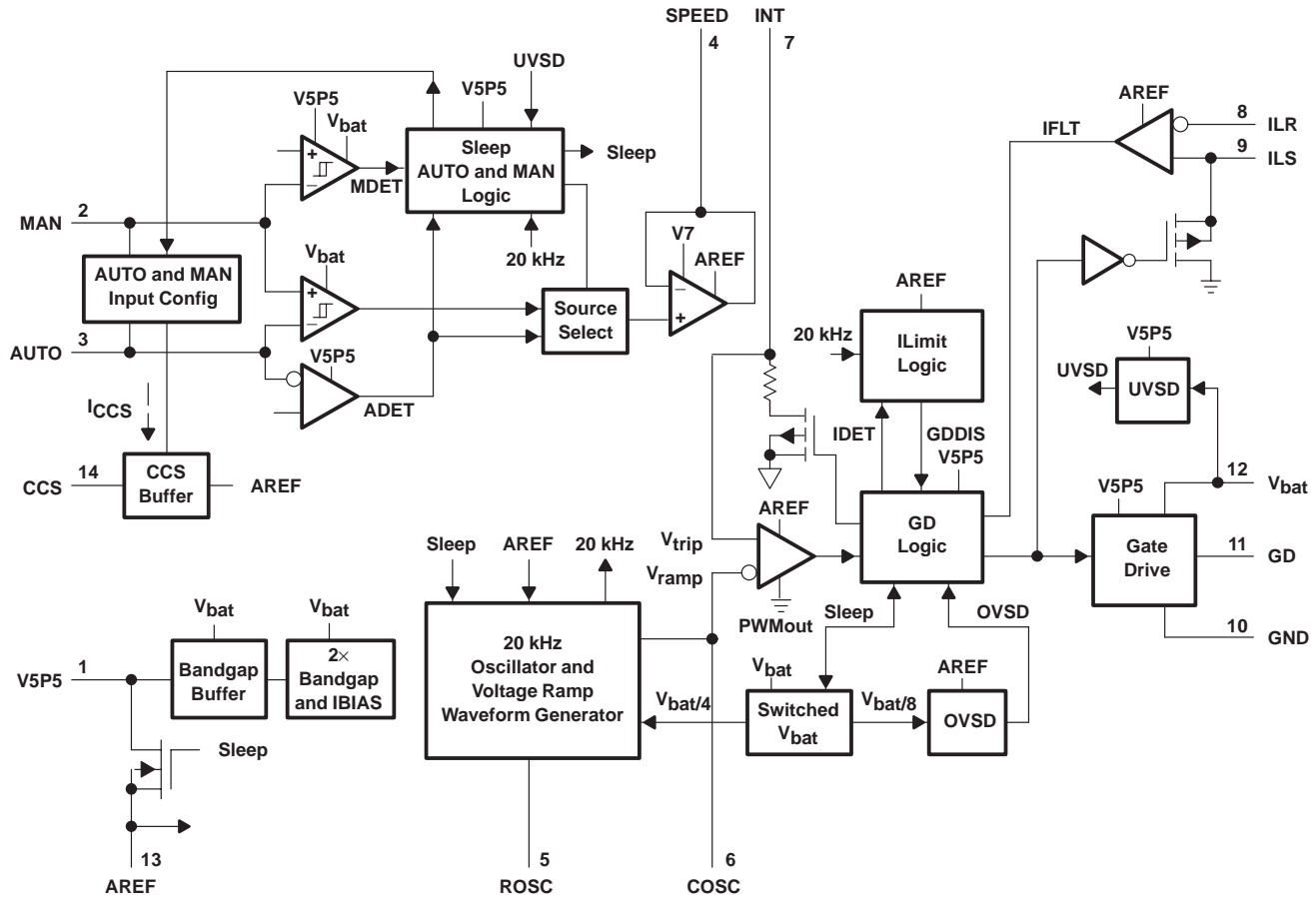
POST OFFICE BOX 655303 • DALLAS, TEXAS 75265
POST OFFICE BOX 1443 • HOUSTON, TEXAS 77251-1443

Copyright © 1995, Texas Instruments Incorporated

TPIC2101 DC BRUSH MOTOR CONTROLLER

SLIS060 – OCTOBER 1995

functional block diagram



NOTE A: For correct operation, no terminal may be taken below GND.



Terminal Functions

TERMINAL NAME	NO.	I/O	DESCRIPTION
V5P5	1	O	5.5 V supply voltage. V5P5 is a regulated voltage supply from V_{bat} , internally switched to AREF during the run state. This requires a 4.7 μ F tantalum capacitor from V5P5 to GND for stability.
MAN	2	I	Manual control input. MAN is an active high (greater than 5.5 V asserts the manual mode) input that serves as a positive differential input (0-2.3 V full range) for the manual mode. In man mode, I_{man} is approx. $20 \times I_{CCS}$.
AUTO	3	I	PWM control input. AUTO is an active low input that remains active if pulsed every 2048 counts of the oscillator frequency. It also serves as a negative differential input for the manual mode. In auto mode, I_{auto} is approx. $13 \times I_{CCS}$ pullup, I_{auto} is approx. $20 \times I_{CCS}$ pulldown in man mode.
SPEED	4	O	Integrator output. SPEED is an integrator output with a required minimum resistance between SPEED and INT terminals of 20 k Ω (typically 1 second RC time constant, or as required for soft start).
ROSC	5	O	Oscillator resistor output. ROSC has an external resistor connected to ground which determines the constant charging current of COSC. The IC forces a voltage of $V_{bat}/4$ in run state.
COSC	6	O	Oscillator capacitor output. COSC has an external capacitor connected to ground which determines (with ROSC) switching frequency. $f(osc) = 2/(ROSC \times COSC)$
INT	7	I	Integrator input. INT is an input from an integrator that requires a 4.7 μ F capacitor and a 20 k minimum resistance between the SPEED and INT terminals.
ILR	8	I	Current limit reference. ILR is an input from a resistor divider off AREF.
ILS	9	I	Current limit sense. ILS senses drain voltage of external FET. ILS trips within ± 10 mV of ILR.
GND	10		Ground terminal
GD	11	O	Gate drive output. GD, PWM output, 0- V_{bat} voltage, provides a 0- V_{bat} PWM output pre-drive for an external FET.
V_{bat}	12	I	Positive power input.
AREF	13	O	5.5 V reference voltage. AREF is a 5.5 V reference voltage switched from V5P5 during the run state. AREF is used as a reference for ILR in current limit detection and is capable of sourcing 2 mA of current.
CCS	14		Constant current sink. I_{CCS} equals $AREF/(2 \times R_{CCS})$. Requires an external resistor.

recommended external components for auto and manual modes (see Figures 2 and 4)

TERMINAL NAME	NO.	DESCRIPTION
V5P5	1	Capacitor – 4.7 μ F tantalum
MAN	2	Capacitor – 0.1 μ F
MAN	2	Resistor – 499 Ω , 1%, 100 ppm
AUTO	3	Capacitor – 0.47 μ F
AUTO	3	Resistor – 499 Ω , 1%, 100 ppm
SPEED	4	Resistor – 100 k Ω , 1%, 100 ppm to INT terminal, (minimum 20 k Ω)
ROSC	5	Resistor – 45.3 k Ω
COSC	6	Capacitor – 2200 pF
INT	7	Capacitor – 4.7 μ F
CCS	14	Resistor – 27.4 k Ω , 1%, 100 ppm

TPIC2101

DC BRUSH MOTOR CONTROLLER

SLIS060 – OCTOBER 1995

detailed description

The TPIC2101 is an integrated circuit that generates a fixed frequency, variable duty cycle PWM signal to control the rotor speed of a permanent-magnet dc motor. This section provides a functional description of the device.

dual command speed input capability

The TPIC2101 is user configurable to either auto or manual mode, and can sense either configuration internal to the IC. In automatic mode, the speed-command-signal is an open-collector PWM signal on the AUTO terminal, and the MAN terminal is floating. In manual mode, the speed-command-signal is a variable resistance across the AUTO and MAN terminals with the MAN terminal connected to V_{bat} .

sleep, run, and fault states

The TPIC2101 operates in a sleep state, a run state, or a fault state. In the auto mode, a zero-speed input initiates the sleep state. In the manual mode, an open-circuit at the AUTO and MAN terminals initiates the sleep state. The device will also be in the sleep state during fault conditions. In the sleep state, the gate drive terminal (GD) is held low and the overall current draw is less than 200 μ A. Any speed command initiates the run state, which is the normal operating state of the device. The fault state is entered only when the device detects an overvoltage or current fault. Fault state is exited either by removal of the overvoltage condition (exiting to run state) or by resetting a current fault by entering the sleep state.

speed command adjustment

The device adjusts the GD terminal PWM signal with changes in V_{bat} to keep the effective motor voltage constant. The effective motor voltage is defined to be the product of the GD terminal PWM rate and the voltage of V_{bat} . Figure 1 shows motor voltage as a function of input speed command in the automatic mode for various battery voltages. PWM_{in} is described as the duty cycle of the PWM signal at the AUTO terminal.

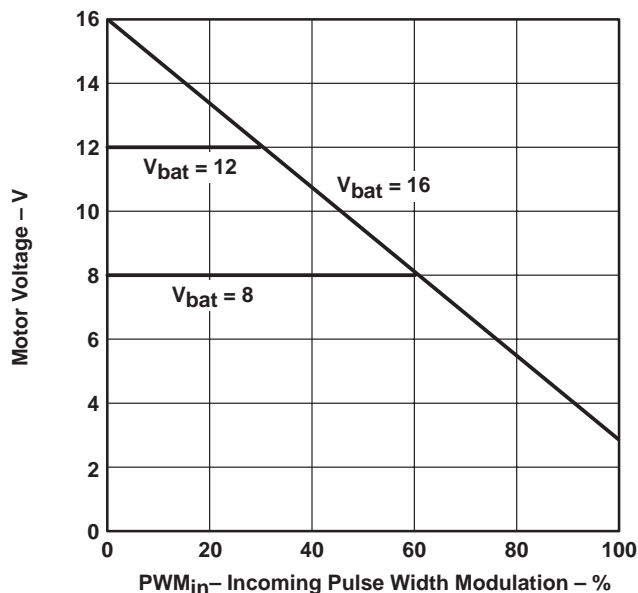


Figure 1. Motor Voltage vs. Incoming PWM for Various Battery Voltages

over/under voltage protection

The IC enters the fault state if V_{bat} rises above over-voltage shutdown (V_{OV} typically equals 18.5 V). If V_{bat} falls below the under-voltage shutdown (V_{UV} typically equals 7.5 volts) the IC enters sleep state. Hysteresis assures that the device will not toggle into and out of sleep state or fault condition.



current limit protection

Current through the motor is limited by lowering the GD terminal PWM when a high current situation occurs. If the condition persists, the device shuts off the gate drive (GD terminal) until the circuit is reset externally by entering the sleep state.

theory of operation

This section explains the normal circuit operation for the automatic and manual states.

power supply and oscillator

Positive voltage is supplied to the integrated circuit on the V_{bat} terminal, ground is the GND terminal. The IC steps down the V_{bat} supply to the regulated 5.5 V supply at the V5P5 terminal. AREF is shorted to V5P5 in run state and disconnected when the IC is in sleep state. Two terminal connections (COSC and ROSC) are provided to control an internal oscillator. The oscillator freq, $f_{(osc)}$, is defined by the following equation:

$$f_{(osc)} = \frac{2}{ROSC \times COSC}$$

Nominal oscillator frequency is 20-kHz based on the recommended components.

automatic mode signal decoding

In automatic state, a high-to-low signal transition on the AUTO terminal (open collector) will wake the device from the sleep state into the run state. The speed command information is contained in the duty cycle of a 100 Hz PWM signal on the same terminal. The speed information is inverted, i.e. a signal that is 10% high commands a faster speed than a 20% high signal. In automatic mode the MAN terminal is floating. The device is capable of rejecting ± 2 V of ground offset V_{IO} between the open-collector switching transistor and the GND terminal without affecting the output duty cycle. Two terminals are provided for an RC integrator (SPEED and INT) to average the incoming PWM signal for use as a PWM comparator input. Figure 2 illustrates the automatic state connections.

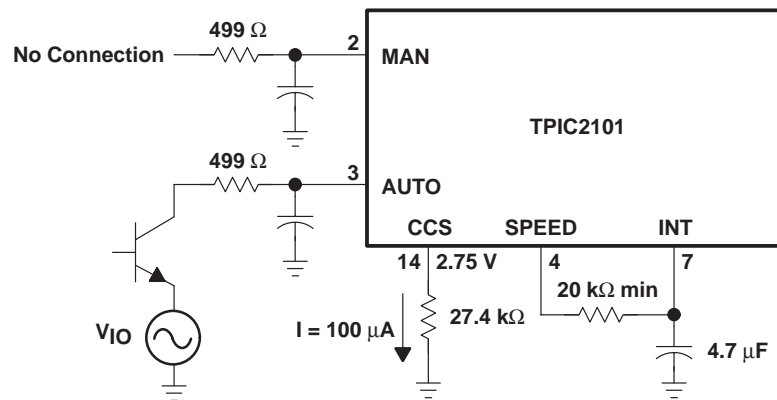


Figure 2. Automatic Mode Connections

TPIC2101 DC BRUSH MOTOR CONTROLLER

SLIS060 – OCTOBER 1995

automatic mode signal decoding (continued)

The device enters the sleep state if the PWM signal on the AUTO terminal is absent (the AUTO terminal remains high or low) for 2048 clock cycles of the 20 KHz oscillator. An internal 1 mA pull-up resistor is provided for the AUTO terminal when in the auto mode. This pull-up resistor is not present in the manual mode or during sleep state.

The device adjusts the output PWM duty cycle to keep the effective motor voltage constant with changing battery voltages (V_{bat}) as per the equation:

$$PWM_{out} = \frac{(2.88 + 13.12(1 - \text{Input Duty Cycle}))}{V_{bat}} \times 100\%$$

Figure 3 illustrates this transfer curve with various battery voltages.

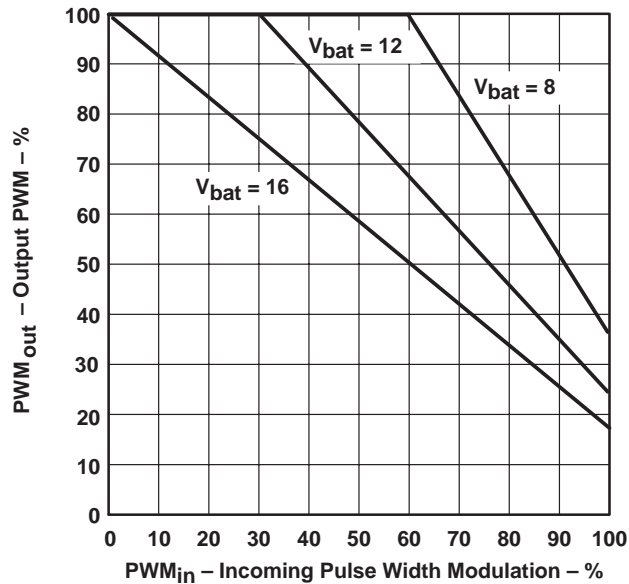


Figure 3. Output PWM vs. Incoming PWM for Various Battery Voltages

The allowable automatic mode PWM_{out} variation is $\pm 7\%$ over all operating conditions as indicated in the AC characteristics Table.

manual mode speed signal decoding

In manual mode, a high input ($>5.5V$) on the MAN terminal changes the state of the device from sleep to run. While in the run state the device senses the resistance between the MAN and AUTO terminals by turning on a 2 mA current sink to each terminal. The MAN and AUTO current sinks are multiplied 20 X from the CCS current. This 2 mA current sink creates a 1 V drop across each 0.5 k Ω resistor and a 0 to 2.2 V differential across the 0 to 1 k Ω potentiometer (and thus across the 2 terminals). The SPEED and INT terminals should be utilized as in the proceeding section as a low-pass filter. When the connection to the MAN terminal is opened, the device enters the sleep state. In addition, the device is capable of rejecting up to 2.2 V of source voltage offset (V_{IO}), as indicated in Figure 4.



manual mode speed signal decoding (continued)

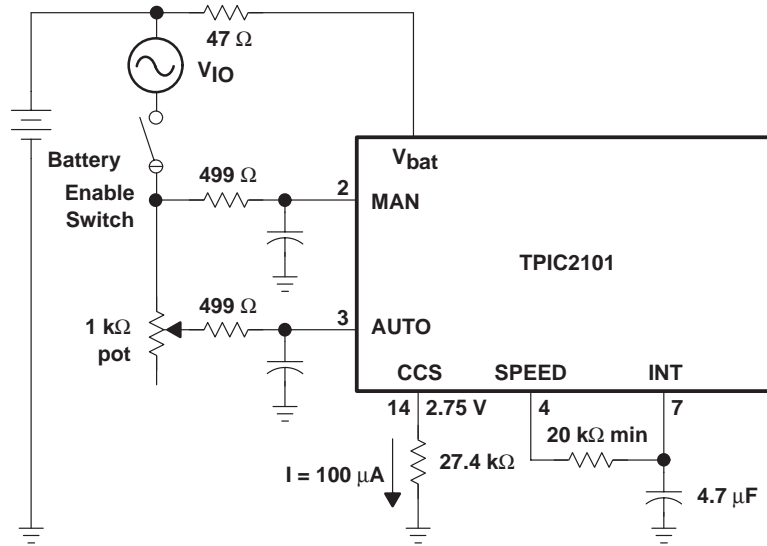


Figure 4. Manual Mode Connections

As in the automatic mode, the device will adjust the GD terminal PWM duty cycle to keep the effective motor voltage constant with changing battery voltages (V_{bat}). The transfer equation for the manual mode is:

$$PWM_{out} = \frac{(2.88 + 6.56(V_{MAN} - V_{AUTO}))}{V_{bat}} \times 100\%$$

Figure 5 shows the output characteristic for various source voltages.

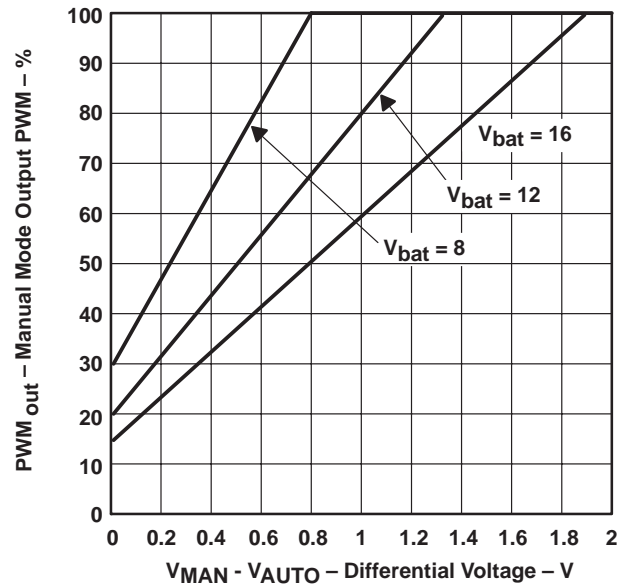


Figure 5. Manual Mode Input Signal vs. Output PWM

The allowable manual mode PWM_{out} variation is $\pm 7\%$ over all operating conditions as indicated in the AC characteristics table.

TPIC2101

DC BRUSH MOTOR CONTROLLER

SLIS060 – OCTOBER 1995

over/under voltage operating

The TPIC2101 detects an over or under voltage condition (on the V_{bat} terminal) and turns off the gate drive circuit. The device remains in this condition until the supply voltage returns to normal operating voltage. Hysteresis assures that the over/under voltage condition does not toggle off and on near the threshold. The INT terminal pulls toward GND through an internal impedance of less than 500 Ω during the over-voltage condition or during sleep state. This ensures a slow ramp up of the GD terminal PWM when the V_{bat} voltage returns to the operating range.

current limit operation

An over-current condition is detected if the ILS terminal is higher than the ILR terminal while the gate drive (GD terminal) is high. This condition activates a closed-loop control, causing the INT terminal to be pulled low (through an internal resistance less than 500 Ω) lowering the commanded duty cycle to close the loop.

current fault operation

During a window of 8192 clock cycles, a latch is set if at least once during the window, a current limit condition is detected. If a current limit condition is set for eight consecutive 8192 clock cycle windows, the gate drive (GD terminal) will be shut off for a disable period of 65536 clock cycles. During the disable period, the INT terminal is pulled to GND through an internal resistance of less than 500 Ω . After the disable period is completed, an internal restart is attempted. If the current limit is present again, as described above, for 8 consecutive windows, the GD and INT terminals are again pulled to GND and the device remains in this current fault state until the device is cycled through a sleep state to run state. However, if the current limit condition is not present during any of the eight 8192 clock cycle windows, the latches for the 8 count window timer and the two cycle shutdown/restart are reset. See timing diagrams, Figures 6, 7, and 8.

absolute maximum ratings over the operating free-air temperature range (unless otherwise noted)†

Supply voltage range, V_{bat} ‡	−0.3 V to 40 V
Input voltage range, MAN, AUTO	−0.3 V to 40 V
Input voltage range, INT CCS, ILR	−0.3 V to 7 V
Continuous gate drive output current, I_{GD}	±50 mA
Continuous speed output current, $I_{O(SPEED)}$	±1 mA
Continuous output current, $I_{O(V5P5)}$, $I_{O(AREF)}$	20 mA
Continuous ROOSC output Current, $I_{O(ROOSC)}$	1 mA
Continuous output current, $I_{O(CCS)}$	500 μ A
Thermal Resistance, junction to ambient, $R_{\theta JA}$: D package	131°C/W
N package	78°C/W
Operating free-air temperature range, T_A	−40°C to 105°C
Maximum junction temperature, T_{JM}	150°C
Storage temperature range, T_{stg}	−65°C to 150°C

† Stresses beyond those listed under “absolute maximum ratings” may cause permanent damage to the device. These are stress ratings only, and functional operation of the device at these or any other conditions beyond those indicated under “recommended operating conditions” is not implied. Exposure to absolute-maximum-rated conditions for extended periods may affect device reliability.

‡ Under load dump conditions, the voltage on V_{bat} can reach 40 V within 1 ms.



TPIC2101 DC BRUSH MOTOR CONTROLLER

SLIS060 – OCTOBER 1995

recommended operating conditions

	MIN	NOM	MAX	UNIT
Supply voltage, V_{bat}	8	12	16	V
AREF Input current $I_{(AREF)}$	0		2	mA
Input voltage, $V_{I(MAN)}$, $V_{I(AUTO)}$ (manual mode)	6		16	V
Differential voltage, $V_{I(MAN)} - V_{I(AUTO)}$	0		2.2	V
Input voltage, $V_{I(AUTO)}$ (auto mode)	0		5.5	V
V_I , ILR, ILS	0.5		2.75	V
Output resistance, input resistance, $R_{(CCS)}$	27.2	27.5	27.8	k Ω
Output Resistance, RO SC, r_O	20		100	k Ω
Output Capacitance, CO SC, C_O	1		5	nF
Gate drive frequency $f = 2/(RO SC \times CO SC)$, $f_{(GD)}$		20		kHz
Gate drive output capacitance, $C_{O(GD)}$			3300	pF
Operating free-air temperature, T_A	-40		105	$^{\circ}C$



TPIC2101

DC BRUSH MOTOR CONTROLLER

SLIS060 – OCTOBER 1995

electrical characteristics, $V_{bat} = 8\text{ V to }16\text{ V}$, $T_A = 25^\circ\text{C}$

PARAMETER		TEST CONDITION	MIN	TYP	MAX	UNIT
I_{bat}	Supply current (average), V_{bat}	$V_{bat} = 16\text{ V}$, $f(\text{osc}) = 20\text{ kHz}$, MAN = AUTO = V_{bat} GD open,		4	10	mA
		$V_{bat} = 16\text{ V}$, $f(\text{osc}) = 20\text{ kHz}$, Auto mode, AUTO – 99% PWM _{in} GD open, MAN open,		2	10	mA
$I_{bat(Q)}$	Quiescent current (sleep state), V_{bat}	$V_{bat} = 13\text{ V}$, AUTO and MAN open		150	200	μA
		$V_{bat} = 13\text{ V}$, AUTO shorted to MAN, floating		165	200	μA
$V(\text{AREF})$	Voltage supply regulation, AREF	$I(\text{AREF}) = 0 - 2\text{ mA}$, MAN = AUTO = V_{bat}	5.225	5.5	5.775	V
V_{IO}	Input offset voltage, current limit comparator, ILS, ILR	AUTO or MAN mode, ILS, ILR common mode, Voltage range 0.5 – 2.75 V, $V_{int} = 4.5\text{ V}$, Detect $I_{(int)} > 100\text{ }\mu\text{A}$			10	mV
I_{IB}	Input bias current, current limit comparator, ILS, ILR†	ILS, ILR common mode, Voltage range 0.5 – 2.75 V			250	nA
I_{IO}	Input offset current, current limit comparator, ILS, ILR†	ILS, ILR common mode, Voltage range 0.5 – 2.75 V			100	nA
$I_{OL(\text{CLS})}$	Pulldown current, ILS terminal blanking, ILS	ILS = 100 mV, GD commanded low	250	360		μA
$V_{IL(\text{AUTO})}$	Automatic mode low level input voltage, AUTO	MAN open, AUTO mode, Lower $V_{I(\text{AUTO})}$ until $V_{I(\text{SPEED})} > 2.4\text{ V}$	2.7	3	3.3	V
$V_{IH(\text{AUTO})}$	Automatic mode high level input voltage, AUTO	MAN open, AUTO mode, Raise $V_{I(\text{AUTO})}$ until $V_{I(\text{SPEED})} < 2.4\text{ V}$	3.6	4	4.4	V
$I_{I(\text{AUTO})}$	Input current, automatic mode, AUTO	MAN open, Auto mode, $V_{I(\text{AUTO})} = 0\text{ V}$	-1		-10	mA
$I_{I(\text{AUTOQ})}$	Input current, auto sleep mode, AUTO	MAN open, Sleep state, $V_{I(\text{AUTO})} = 0\text{ V}$	-40	-80		μA
$V_{IH(\text{MAN})}$	High level input voltage, manual mode, MAN	$V_{bat} = 9\text{ V to }16\text{ V}$, $V_{IH(\text{MAN})} = V_{IH(\text{AUTO})}$, Raise $V_{(\text{MAN})}$ until $V_{I(\text{AREF})} > 2.5\text{ V}$	5	5.5	6	V
$V_{IL(\text{MAN})}$	Low level input voltage, manual mode, MAN	$V_{I(\text{MAN})} = V_{I(\text{AUTO})}$, Lower $V_{I(\text{MAN})}$ until $V_{I(\text{AREF})} < 2.5\text{ V}$	2.3	2.5	2.7	V
$V_{ID(\text{MAN})}$	Input voltage, manual mode high differential (high speed command), MAN-AUTO	$V_{bat} = 16\text{ V}$, $V_{bat} - 3.5\text{ V} < \text{MAN} < V_{bat}$	1.7		2.3	V

† Indicates electrical parameter not tested in production.



electrical characteristics, $V_{bat} = 8\text{ V to }16\text{ V}$, $T_A = 25^\circ\text{C}$ (continued)

PARAMETER	TEST CONDITION	MIN	TYP	MAX	UNIT
$V_{ID(low)}$	Input voltage, manual mode low differential (low speed command), MAN-AUTO $V_{bat} - 3.5\text{ V} < MAN < V_{bat} + \Delta V$ where " Δ " is the lesser of 2 V and $16\text{ V} - V_{bat}$. $PWM_{out} @ V_{(diff)} = 0.2\text{ V} \geq PWM_{out} @ V_{(DIFF)} = 0\text{ V}$			0.2	V
$I_{I(MAN)}$ $I_{I(AUTO)}$	Input currents, auto and manual mode, MAN, AUTO $V_{bat} - 3.5\text{ V} < MAN < V_{bat} + \Delta V$ where " Δ " is the lesser of 2 V and $16\text{ V} - V_{bat}$. MAN - AUTO = 0 V to 2 V, $R_{(CSS)} = 27.5\text{ k}\Omega$ to GND	1.70	2	2.30	mA
$I_{I(MANRATIO)}$	Input current, manual mode matching ratio, MAN, AUTO $V_{bat} - 3.5\text{ V} < MAN < V_{bat} + \Delta V$ where " Δ " is the lesser of 2 V and $16\text{ V} - V_{bat}$. MAN - AUTO = 0 V to 2 V, $R_{CSS} = 27.5\text{ k}\Omega$ to GND	-7		7	%
$I_{I(MAN(a))}$	Input current, man terminal auto mode, MAN Auto mode, MAN = 2.2 V	5	10	15	μA
$I_{I(MANQ)}$	Input current, man terminal sleep mode, MAN Sleep state, MAN = 2.2 V	5	10	15	μA
$V_{(CCS)}$	Constant current sink voltage regulation, CCS Auto or Man mode, $I_{(CCS)} = -100\text{ }\mu\text{A}$	2.58	2.78	2.92	V
$V_{(OV)}$	Over voltage shutdown, V_{bat} V_{bat} rising from 16 V, INT = 1 V, Detect $I_{(INT)} > 100\text{ }\mu\text{A}$	17	18.5	20	V
$V_{hys(OV)}$	Hysteresis, over voltage, V_{bat} V_{bat} rising from 20.1 V, INT = 1 V, Detect $I_{(INT)} < 100\text{ }\mu\text{A}$	0.5	0.8	0.99	V
$V_{IT-(UVLO)}$	Under voltage shutdown negative going threshold voltage, V_{bat} MAN = V_{bat} , Detect $AREF < 2.5\text{ V}$ V_{bat} falling from 9 V,	7	7.5	8	V
$V_{IT+(UVHI)}$	Under voltage shutdown positive going threshold voltage, V_{bat} MAN = V_{bat} , Detect $AREF > 2.5\text{ V}$ V_{bat} rising from 6.9 V,	8	8.5	9	V
$V_{hys(UV)}$	Hysteresis, under voltage, V_{bat} $V_{(UVHI)} - V_{(UVLO)}$	0.5	1		V
$V_{OH(GD)}$	High level output voltage, gate drive, GD $I_{GD} = -50\text{ mA}$, INT = 4.5 V, Run state	$V_{bat} - 3$		V_{bat}	V
	$I_{GD} = -2\text{ mA}$, INT = 4.5 V, Run state	$V_{bat} - 0.2$		V_{bat}	V
$V_{OL(GD)}$	Low level output voltage, gate drive, GD Run state, $I_{GR} = 50\text{ mA}$, $V_{I(INT)} = 0\text{ V}$, $V_{COSC} = 1\text{ V}$			3.5	V
	Run state, $I_{GD} = 2\text{ mA}$, INT = 0 V, $V_{COSC} = 1\text{ V}$			0.75	V
$V_{GD(SL)}$	Gate voltage, sleep-state, GD Sleep state, $I_{GD} = 2\text{ mA}$		0.03	0.75	V
$I_{(GDP)}$	Pulldown current, gate drive passive, GD V_{bat} open, $V_{GD} = 0.75\text{ V}$	7.5	20		μA
$I_{(INT)}$	Pulldown current, INT Run state, $V_{ILS} > V_{ILR}$, $V_{I(INT)} = 1\text{ V}$	2	3		mA

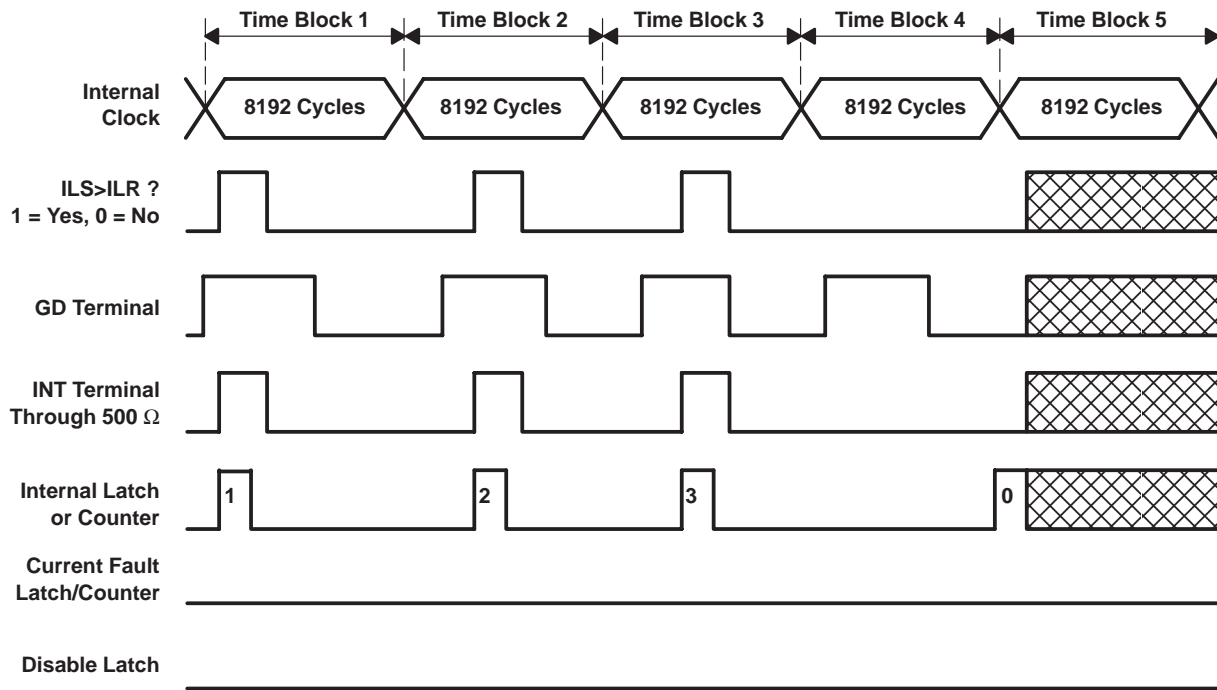
TPIC2101 DC BRUSH MOTOR CONTROLLER

SLIS060 – OCTOBER 1995

switching characteristics, $V_{bat} = 8\text{ V to }16\text{ V}$, $T_A = 25^\circ\text{C}$

PARAMETER	TEST CONDITIONS	MIN	TYP	MAX	UNIT
t_r Rise time	$V_{bat} = 16\text{ V}$, Load = 3300 pF, ROSC = 45.3 k Ω , COSC = 2200 pF			1	μs
t_f Fall time	$V_{bat} = 16\text{ V}$, Load = 3300 pF, ROSC = 45.3 k Ω , COSC = 2200 pF			0.8	μs
Output PWM absolute accuracy to spec equation	$16 > V_{bat} > 9$ Manual and automatic modes GD open, Measure at $GD = 0.5 \times V_{bat}$ @ 20 kHz	-7%		7%	
$f_{(osc)}$ Oscillator frequency	ROSC = 45.3 k Ω , COSC = 2200 pF	19	20	21	kHz
Minimum speed pedestal	MAN = AUTO = $V_{bat} = 16$	15		21	%DC
	$V_{bat} = 16$, MAN floating, AUTO @ 99% duty cycle	15		21	%DC

PARAMETER MEASUREMENT INFORMATION



No Current Limit Condition Present in Time Block 4.
Internal Counter or Latch Set to zero. Current Limit
Condition Not Present For Eight Consecutive 8192 Cycles.
No Disable Period.

Figure 6. Current Fault Timing Diagram, Normal State



PARAMETER MEASUREMENT INFORMATION

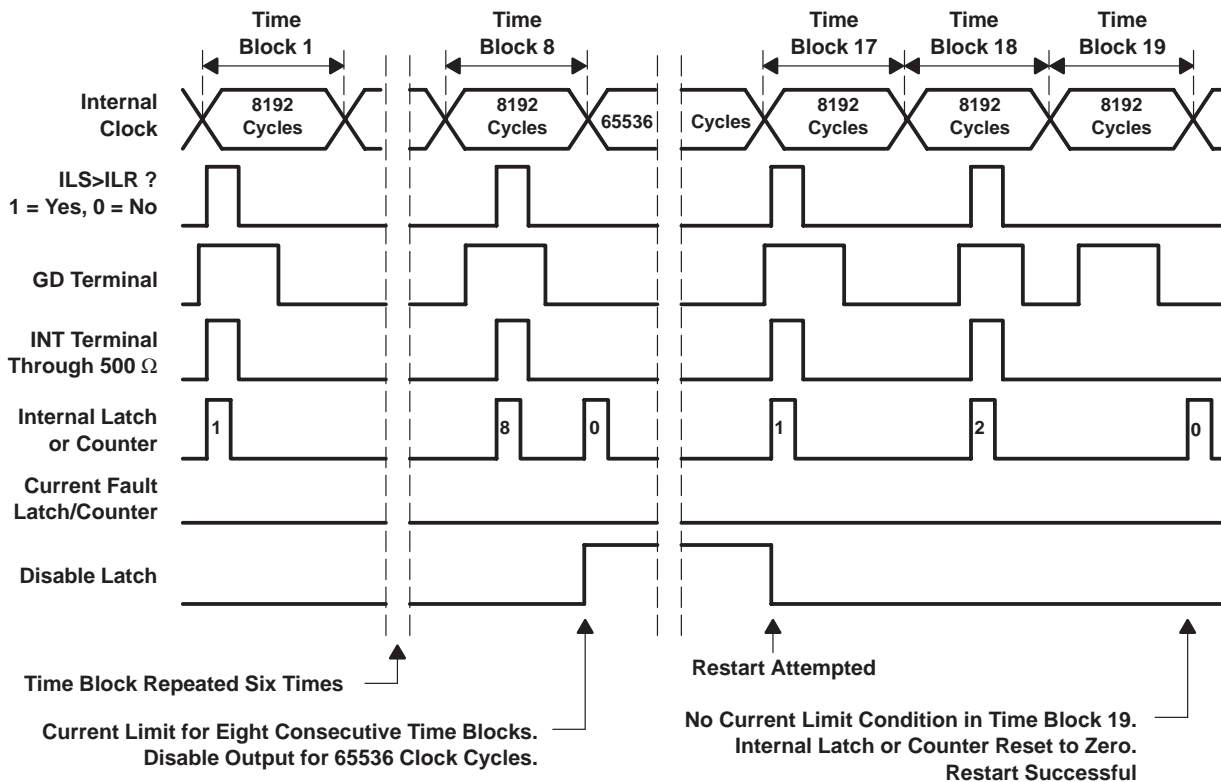
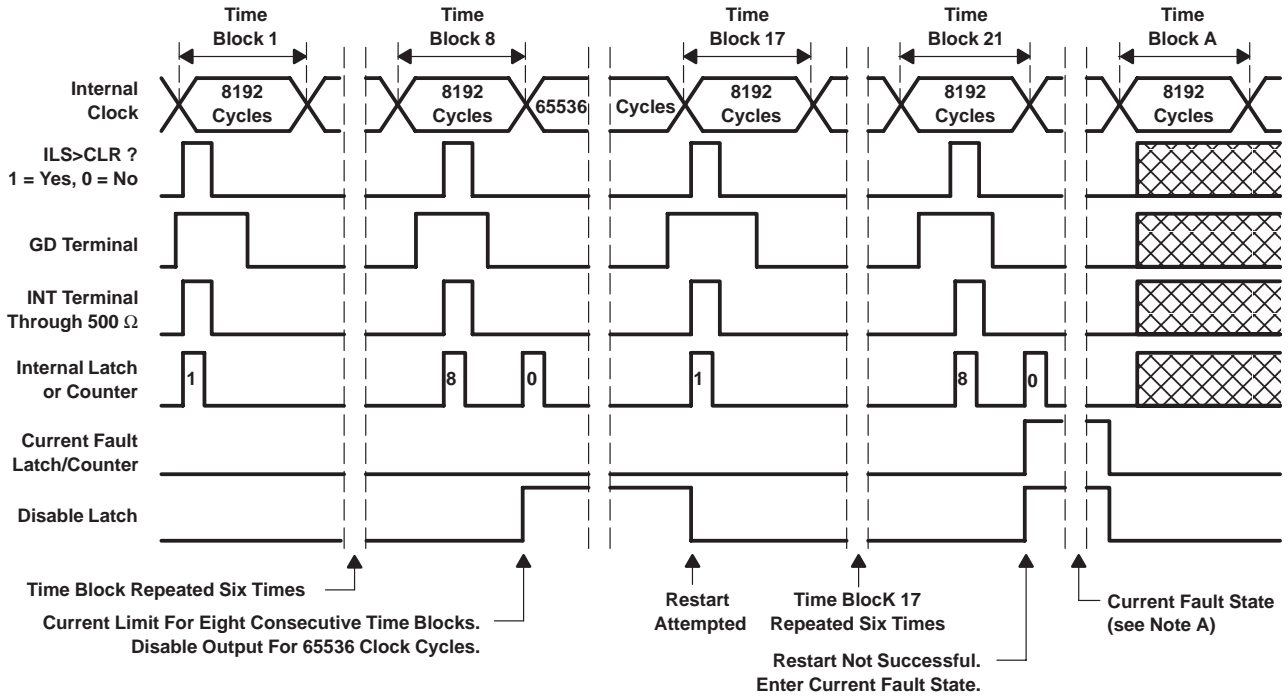


Figure 7. Current Fault Timing Diagram, Over-Current Limit Condition

TPIC2101 DC BRUSH MOTOR CONTROLLER

SLIS060 – OCTOBER 1995

PARAMETER MEASUREMENT INFORMATION



NOTE A: The integrated circuit remains in this state until cycled through the sleep state into the run state. Timing resumes as shown in time block A at right.

Figure 8. Over-Current Fault State Timing Diagram 3

TYPICAL CHARACTERISTICS

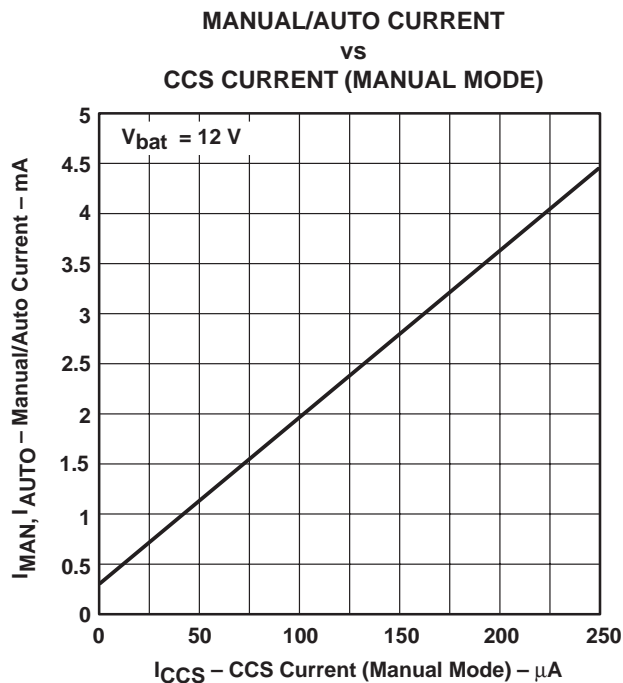


Figure 9

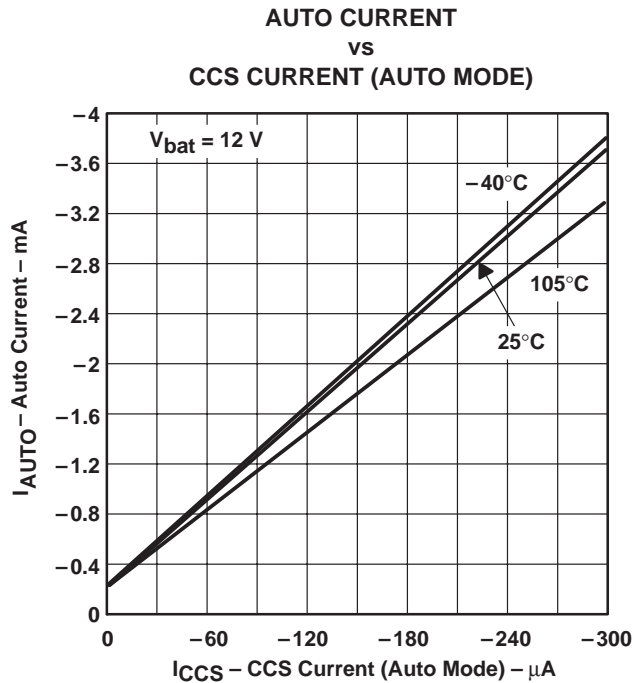


Figure 10

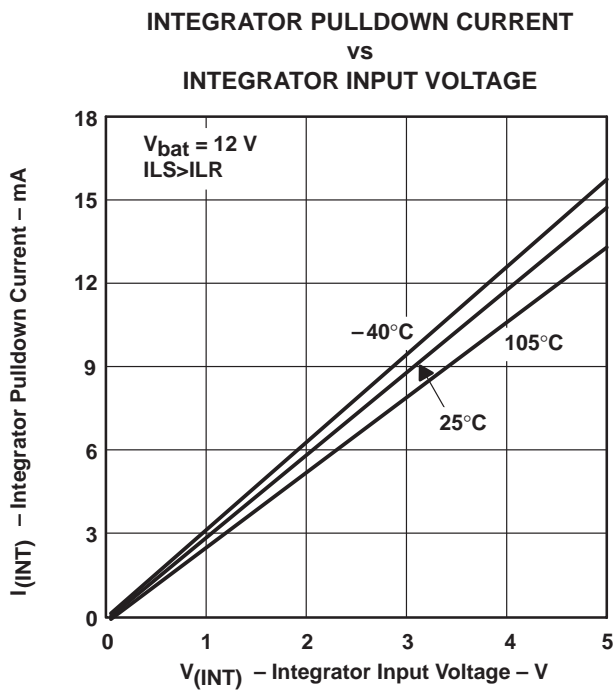


Figure 11

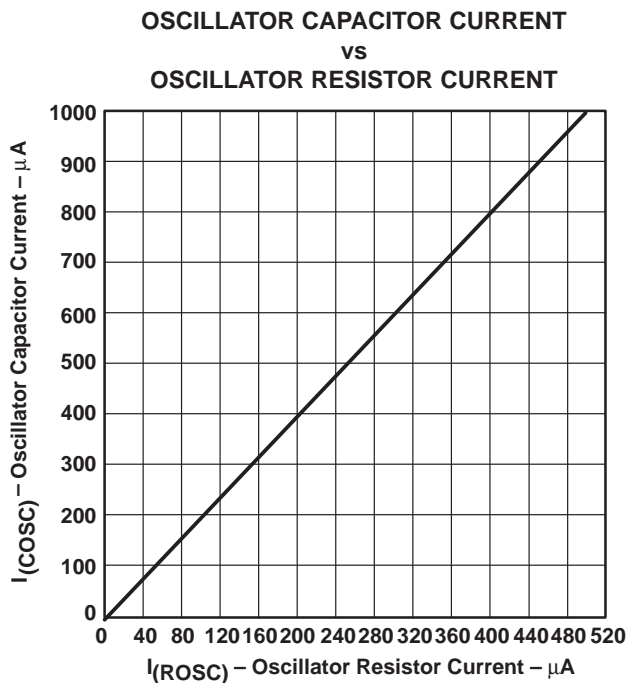


Figure 12

TPIC2101 DC BRUSH MOTOR CONTROLLER

SLIS060 – OCTOBER 1995

TYPICAL CHARACTERISTICS

GATE DRIVE LOW SIDE
vs
GATE DRIVE CURRENT

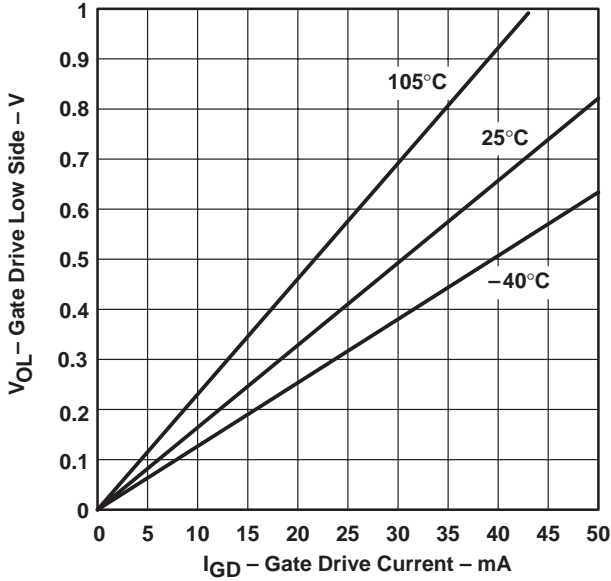


Figure 13

GATE DRIVE HIGH SIDE
vs
GATE DRIVE CURRENT

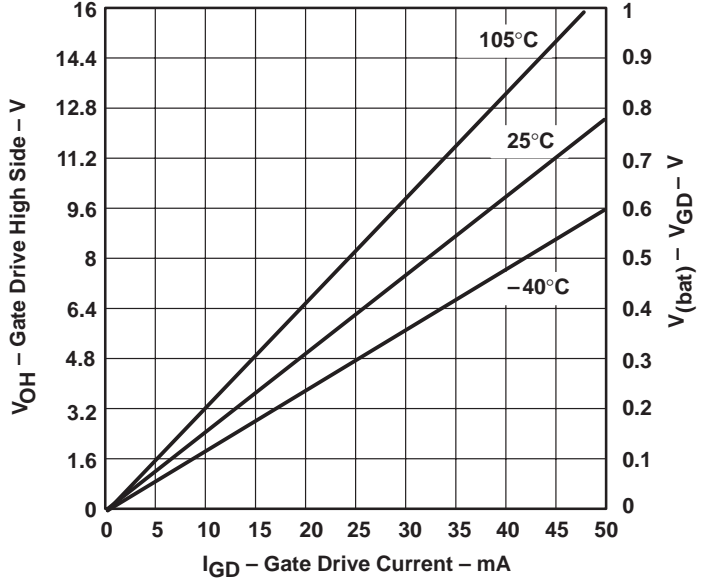


Figure 14

EFFECTIVE MOTOR VOLTAGE
vs
INCOMING PULSE WIDTH MODULATION

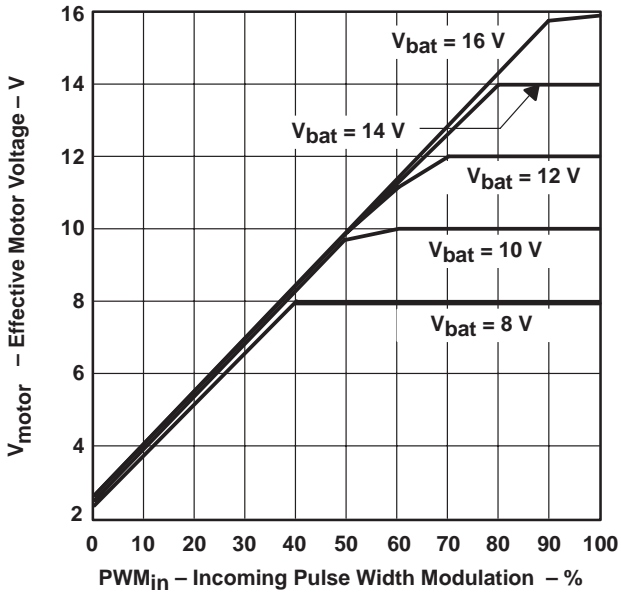


Figure 15

MOTOR RPM
vs
INCOMING PULSE WIDTH MODULATION

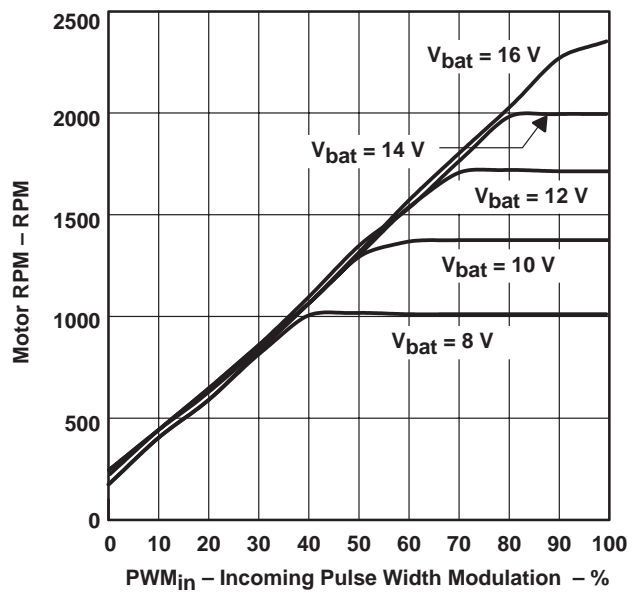


Figure 16



TYPICAL CHARACTERISTICS

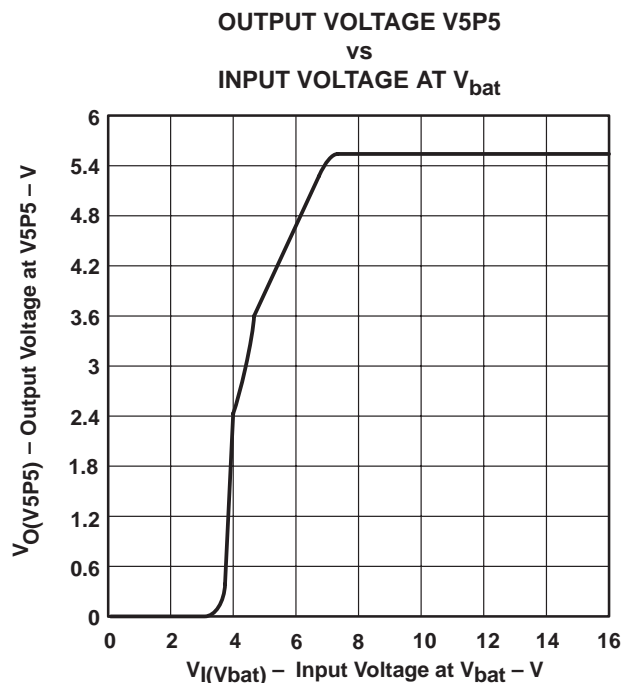


Figure 17

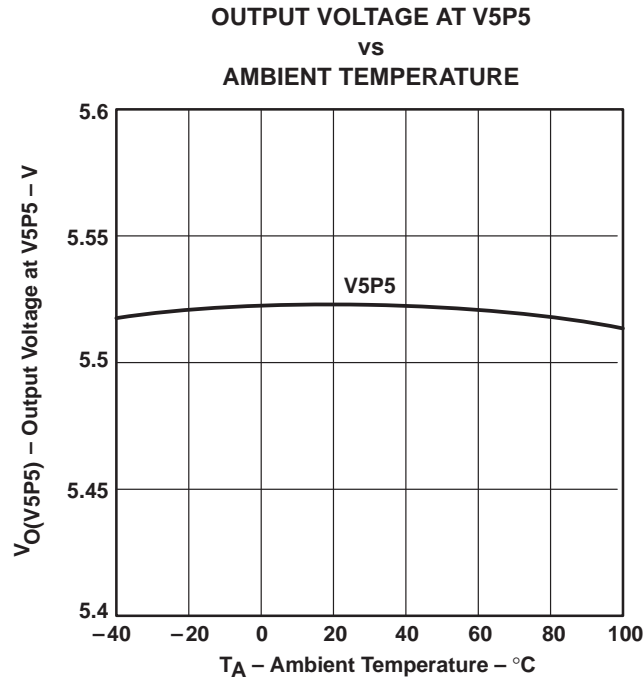


Figure 18

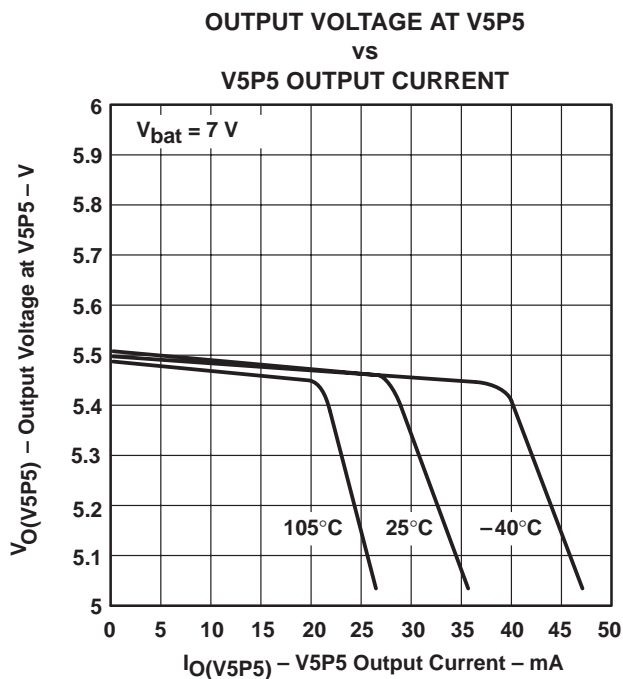


Figure 19

PACKAGING INFORMATION

Orderable Device	Status ⁽¹⁾	Package Type	Package Drawing	Pins	Package Qty	Eco Plan ⁽²⁾	Lead/ Ball Finish	MSL Peak Temp ⁽³⁾	Samples (Requires Login)
TPIC2101D	OBSOLETE	SOIC	D	14		TBD	Call TI	Call TI	
TPIC2101DG4	OBSOLETE	SOIC	D	14		TBD	Call TI	Call TI	
TPIC2101DR	OBSOLETE	SOIC	D	14		TBD	Call TI	Call TI	
TPIC2101N	OBSOLETE	PDIP	N	14		TBD	Call TI	Call TI	

⁽¹⁾ The marketing status values are defined as follows:

ACTIVE: Product device recommended for new designs.

LIFEBUY: TI has announced that the device will be discontinued, and a lifetime-buy period is in effect.

NRND: Not recommended for new designs. Device is in production to support existing customers, but TI does not recommend using this part in a new design.

PREVIEW: Device has been announced but is not in production. Samples may or may not be available.

OBSOLETE: TI has discontinued the production of the device.

⁽²⁾ Eco Plan - The planned eco-friendly classification: Pb-Free (RoHS), Pb-Free (RoHS Exempt), or Green (RoHS & no Sb/Br) - please check <http://www.ti.com/productcontent> for the latest availability information and additional product content details.

TBD: The Pb-Free/Green conversion plan has not been defined.

Pb-Free (RoHS): TI's terms "Lead-Free" or "Pb-Free" mean semiconductor products that are compatible with the current RoHS requirements for all 6 substances, including the requirement that lead not exceed 0.1% by weight in homogeneous materials. Where designed to be soldered at high temperatures, TI Pb-Free products are suitable for use in specified lead-free processes.

Pb-Free (RoHS Exempt): This component has a RoHS exemption for either 1) lead-based flip-chip solder bumps used between the die and package, or 2) lead-based die adhesive used between the die and leadframe. The component is otherwise considered Pb-Free (RoHS compatible) as defined above.

Green (RoHS & no Sb/Br): TI defines "Green" to mean Pb-Free (RoHS compatible), and free of Bromine (Br) and Antimony (Sb) based flame retardants (Br or Sb do not exceed 0.1% by weight in homogeneous material)

⁽³⁾ MSL, Peak Temp. -- The Moisture Sensitivity Level rating according to the JEDEC industry standard classifications, and peak solder temperature.

Important Information and Disclaimer: The information provided on this page represents TI's knowledge and belief as of the date that it is provided. TI bases its knowledge and belief on information provided by third parties, and makes no representation or warranty as to the accuracy of such information. Efforts are underway to better integrate information from third parties. TI has taken and continues to take reasonable steps to provide representative and accurate information but may not have conducted destructive testing or chemical analysis on incoming materials and chemicals. TI and TI suppliers consider certain information to be proprietary, and thus CAS numbers and other limited information may not be available for release.

In no event shall TI's liability arising out of such information exceed the total purchase price of the TI part(s) at issue in this document sold by TI to Customer on an annual basis.

N (R-PDIP-T**)

PLASTIC DUAL-IN-LINE PACKAGE

16 PINS SHOWN



- NOTES:
- A. All linear dimensions are in inches (millimeters).
 - B. This drawing is subject to change without notice.
 - Falls within JEDEC MS-001, except 18 and 20 pin minimum body length (Dim A).
 - The 20 pin end lead shoulder width is a vendor option, either half or full width.

D (R-PDSO-G14)

PLASTIC SMALL OUTLINE



- NOTES:
- A. All linear dimensions are in inches (millimeters).
 - B. This drawing is subject to change without notice.
 - Body length does not include mold flash, protrusions, or gate burrs. Mold flash, protrusions, or gate burrs shall not exceed 0.006 (0,15) each side.
 - Body width does not include interlead flash. Interlead flash shall not exceed 0.017 (0,43) each side.
 - E. Reference JEDEC MS-012 variation AB.

IMPORTANT NOTICE

Texas Instruments Incorporated and its subsidiaries (TI) reserve the right to make corrections, modifications, enhancements, improvements, and other changes to its products and services at any time and to discontinue any product or service without notice. Customers should obtain the latest relevant information before placing orders and should verify that such information is current and complete. All products are sold subject to TI's terms and conditions of sale supplied at the time of order acknowledgment.

TI warrants performance of its hardware products to the specifications applicable at the time of sale in accordance with TI's standard warranty. Testing and other quality control techniques are used to the extent TI deems necessary to support this warranty. Except where mandated by government requirements, testing of all parameters of each product is not necessarily performed.

TI assumes no liability for applications assistance or customer product design. Customers are responsible for their products and applications using TI components. To minimize the risks associated with customer products and applications, customers should provide adequate design and operating safeguards.

TI does not warrant or represent that any license, either express or implied, is granted under any TI patent right, copyright, mask work right, or other TI intellectual property right relating to any combination, machine, or process in which TI products or services are used. Information published by TI regarding third-party products or services does not constitute a license from TI to use such products or services or a warranty or endorsement thereof. Use of such information may require a license from a third party under the patents or other intellectual property of the third party, or a license from TI under the patents or other intellectual property of TI.

Reproduction of TI information in TI data books or data sheets is permissible only if reproduction is without alteration and is accompanied by all associated warranties, conditions, limitations, and notices. Reproduction of this information with alteration is an unfair and deceptive business practice. TI is not responsible or liable for such altered documentation. Information of third parties may be subject to additional restrictions.

Resale of TI products or services with statements different from or beyond the parameters stated by TI for that product or service voids all express and any implied warranties for the associated TI product or service and is an unfair and deceptive business practice. TI is not responsible or liable for any such statements.

TI products are not authorized for use in safety-critical applications (such as life support) where a failure of the TI product would reasonably be expected to cause severe personal injury or death, unless officers of the parties have executed an agreement specifically governing such use. Buyers represent that they have all necessary expertise in the safety and regulatory ramifications of their applications, and acknowledge and agree that they are solely responsible for all legal, regulatory and safety-related requirements concerning their products and any use of TI products in such safety-critical applications, notwithstanding any applications-related information or support that may be provided by TI. Further, Buyers must fully indemnify TI and its representatives against any damages arising out of the use of TI products in such safety-critical applications.

TI products are neither designed nor intended for use in military/aerospace applications or environments unless the TI products are specifically designated by TI as military-grade or "enhanced plastic." Only products designated by TI as military-grade meet military specifications. Buyers acknowledge and agree that any such use of TI products which TI has not designated as military-grade is solely at the Buyer's risk, and that they are solely responsible for compliance with all legal and regulatory requirements in connection with such use.

TI products are neither designed nor intended for use in automotive applications or environments unless the specific TI products are designated by TI as compliant with ISO/TS 16949 requirements. Buyers acknowledge and agree that, if they use any non-designated products in automotive applications, TI will not be responsible for any failure to meet such requirements.

Following are URLs where you can obtain information on other Texas Instruments products and application solutions:

Products

Audio	www.ti.com/audio
Amplifiers	amplifier.ti.com
Data Converters	dataconverter.ti.com
DLP® Products	www.dlp.com
DSP	dsp.ti.com
Clocks and Timers	www.ti.com/clocks
Interface	interface.ti.com
Logic	logic.ti.com
Power Mgmt	power.ti.com
Microcontrollers	microcontroller.ti.com
RFID	www.ti-rfid.com
OMAP Mobile Processors	www.ti.com/omap
Wireless Connectivity	www.ti.com/wirelessconnectivity

Applications

Automotive and Transportation	www.ti.com/automotive
Communications and Telecom	www.ti.com/communications
Computers and Peripherals	www.ti.com/computers
Consumer Electronics	www.ti.com/consumer-apps
Energy and Lighting	www.ti.com/energy
Industrial	www.ti.com/industrial
Medical	www.ti.com/medical
Security	www.ti.com/security
Space, Avionics and Defense	www.ti.com/space-avionics-defense
Video and Imaging	www.ti.com/video

TI E2E Community Home Page

e2e.ti.com

Mailing Address: Texas Instruments, Post Office Box 655303, Dallas, Texas 75265
Copyright © 2012, Texas Instruments Incorporated