

## TPS65000-Q1 2.25-MHz Step-Down Converter With Dual LDOs

### 1 Features

- Qualified for Automotive Applications
- AEC-Q100 Qualified With the Following Results:
  - Device Temperature Grade 2:
    - 40°C to +105°C Ambient Operating Temperature Range
  - Device HBM ESD Classification Level H2
  - Device CDM ESD Classification Level C4B
- Step-Down Converters:
  - $V_{IN}$  Range From 2.3 V to 6 V
  - Spread-Spectrum Clock (SSC) Generation for Reduced EMI
  - 2.25-MHz Fixed-Frequency Operation
  - 600-mA Output Current
- LDOs:
  - $V_{IN}$  Range From 1.6 V to 6 V
  - Adjustable Output Voltage
  - Up to 300-mA Output Current
  - Separate Power Inputs and Enables
- 3-mm x 3-mm 16-Pin WQFN

### 2 Applications

- Automotive Camera Module
- Automotive Infotainment
- Automotive Cluster
- Automotive Sensor Fusion

### 3 Description

The TPS65000-Q1 device is a single-chip power-management IC for automotive applications. This device combines a single step-down converter with two low-dropout regulators. The step-down converter enters a low-power mode at light load for maximum efficiency across the widest possible range of load currents. For low-noise applications, the device can be forced into fixed-frequency PWM using the MODE pin. The step-down converter allows the use of a small inductor and capacitors to achieve a small solution size. A power-good status output can be used for sequencing. The LDOs can supply 300 mA, and can operate with an input voltage range from 1.6 V to 6 V, thus allowing them to be supplied from the step-down converter. The step-down converter and the LDOs have separate voltage inputs and enables, thus allowing for design and sequencing flexibility.

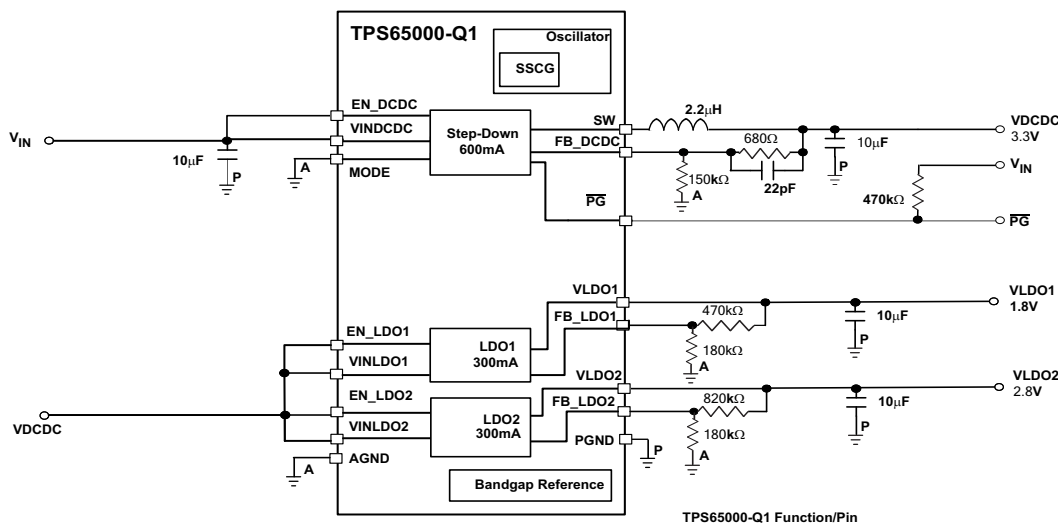
The TPS65000-Q1 is available in a 16-pin leadless package (3-mm x 3-mm WQFN).

#### Device Information<sup>(1)</sup>

PART NUMBER	PACKAGE	BODY SIZE (NOM)
TPS65000-Q1	WQFN (16)	3.00 mm x 3.00 mm

(1) For all available packages, see the orderable addendum at the end of the data sheet.

#### Typical Application Schematic



## Table of Contents

<b>1 Features</b> ..... 1 <b>2 Applications</b> ..... 1 <b>3 Description</b> ..... 1 <b>4 Revision History</b> ..... 2 <b>5 Pin Configuration and Functions</b> ..... 3 <b>6 Specifications</b> ..... 4 6.1 Absolute Maximum Ratings ..... 4 6.2 ESD Ratings ..... 4 6.3 Recommended Operating Conditions ..... 4 6.4 Thermal Information ..... 5 6.5 Electrical Characteristics ..... 5 6.6 Switching Characteristics ..... 7 6.7 Typical Characteristics ..... 7 <b>7 Detailed Description</b> ..... 10 7.1 Overview ..... 10 7.2 Functional Block Diagram ..... 10 7.3 Feature Description ..... 11	7.4 Device Functional Modes ..... 15 <b>8 Application and Implementation</b> ..... 16 8.1 Application Information ..... 16 8.2 Typical Application ..... 16 <b>9 Power Supply Recommendations</b> ..... 20 <b>10 Layout</b> ..... 20 10.1 Layout Guidelines ..... 20 10.2 Layout Examples ..... 20 <b>11 Device and Documentation Support</b> ..... 21 11.1 Device Support ..... 21 11.2 Documentation Support ..... 21 11.3 Receiving Notification of Documentation Updates ..... 21 11.4 Community Resources ..... 21 11.5 Trademarks ..... 21 11.6 Electrostatic Discharge Caution ..... 21 11.7 Glossary ..... 21 <b>12 Mechanical, Packaging, and Orderable Information</b> ..... 21
--	---

## 4 Revision History

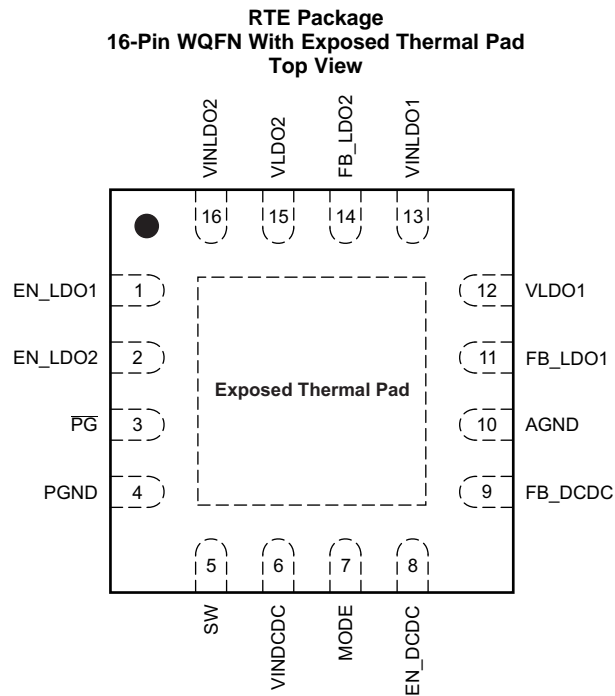
NOTE: Page numbers for previous revisions may differ from page numbers in the current version.

<b>Changes from Revision B (September 2015) to Revision C</b>	<b>Page</b>
• Deleted SVS from the document title .....	1
• Changed the list of applications .....	1
• Changed the CDM values in the <i>ESD Ratings</i> table .....	4
• Changed the temperature range in the <i>Overview</i> section from –40°C to +85°C to –40°C to +105°C .....	10
• Changed the PWM description of the MODE pin in the <i>Device Functional Modes</i> section .....	15
• Deleted extra devices from the <i>Design Parameters</i> table .....	16
• Deleted the tables with recommended inductors and capacitors .....	17
• Added the <i>Receiving Notification of Documentation Updates</i> section .....	21
• Changed the <i>Electrostatic Discharge Caution</i> statement .....	21

<b>Changes from Revision A (October 2013) to Revision B</b>	<b>Page</b>
• Added <i>Pin Configuration and Functions</i> section, <i>ESD Ratings</i> table, <i>Feature Description</i> section, <i>Device Functional Modes</i> , <i>Application and Implementation</i> section, <i>Power Supply Recommendations</i> section, <i>Layout</i> section, <i>Device and Documentation Support</i> section, and <i>Mechanical, Packaging, and Orderable Information</i> section .....	1

<b>Changes from Original (August 2012) to Revision A</b>	<b>Page</b>
• Changed description for MODE pin in Pin Functions table .....	3
• Deleted power dissipation row of Absolute Maximum Ratings table .....	4
• Changed DCDC to VDCDC in C <sub>O</sub> row of Recommended Operating Conditions .....	4
• Changed DCDC to VDCDC in STEP-DOWN CONVERTER OUTPUT VOLTAGE section of Electrical Characteristics .....	6
• Deleted SUPPLY VOLTAGE SUPERVISOR section of Electrical Characteristics table .....	6

## 5 Pin Configuration and Functions



### Pin Functions

PIN		I/O	DESCRIPTION
NAME	NO.		
AGND	10	—	Analog ground – Star back to PGND as close to the IC as possible
EN_DCDC	8	I	Enable DC-DC converter
EN_LDO1	1	I	Enable LDO1
EN_LDO2	2	I	Enable LDO2
FB_DCDC	9	I	Voltage to DC-DC error amplifier
FB_LDO1	11	I	Voltage to LDO1 error amplifier
FB_LDO2	14	I	Voltage to LDO2 error amplifier
MODE	7	I	Selects forced-PWM or PWM-to-PFM automatic-transition mode
$\overline{\text{PG}}$	3	O	Open-drain active-low power-good output
PGND	4	—	Power ground – connected to the thermal pad
SW	5	O	Switch pin – connect inductor here
VINDCDC	6	I	Input voltage to DC-DC converter and all other control blocks
VINLDO1	13	I	Input voltage to LDO1
VINLDO2	16	I	Input voltage to LDO2
VLDO1	12	O	LDO1 output voltage
VLDO2	15	O	LDO2 output voltage
EP		—	Exposed thermal pad

## 6 Specifications

### 6.1 Absolute Maximum Ratings

over operating free-air temperature range (unless otherwise noted)<sup>(1)</sup>

		MIN	MAX	UNIT
Input voltage	On all pins except AGND, PGND, EN_DCDC, VLDO1, VLDO2, FB_LDO1, FB_LDO2, FB_DCDC pins with respect to AGND	-0.3	7	V
	On EN_DCDC with respect to AGND	-0.3	$V_{IN} + 0.3, \leq 7$	
Output voltage	On VLDO1, VLDO2, FB_LDO1, FB_LDO2, FB_DCDC	-0.3	3.6	V
Current	VINDCDC, SW, PGND,		1800	mA
	VINLDO1, VINLDO2, VLDO1, VLDO1, AGND		800	mA
	At all other pins		1	mA
Operating free-air temperature, $T_A$		-40	105	°C
Maximum junction temperature, $T_J$			150	°C
Storage temperature, $T_{stg}$		-65	150	°C

(1) Stresses beyond those listed under *Absolute Maximum Ratings* may cause permanent damage to the device. These are stress ratings only, and functional operation of the device at these or any other conditions beyond those indicated under *Recommended Operating Conditions* is not implied. Exposure to absolute-maximum-rated conditions for extended periods may affect device reliability.

### 6.2 ESD Ratings

			VALUE	UNIT	
$V_{(ESD)}$	Electrostatic discharge	Human body model (HBM), per AEC Q100-002 <sup>(1)</sup>	±2500	V	
		Charged device model (CDM), per AEC Q100-011	Corner pins (1, 4, 5, 8, 9, 12, 13, and 16)		±750
			Other pins		±500

(1) AEC Q100-002 indicates HBM stressing is done in accordance with the ANSI/ESDA/JEDEC JS-001 specification.

### 6.3 Recommended Operating Conditions

		MIN	NOM	MAX	UNIT
L1	SW pin inductor	1.5	2.2	3.3	μH
$C_i$	Input capacitor at VINDCDC	10			μF
	Input capacitor at VINLDO1, VINLDO2	2.2			μF
$C_o$	Output capacitor for VDCDC	10		22	μF
	Output capacitor for LDO1, LDO2	2.2			μF
$I_o$	DC-DC converter output current			600	mA
	LDO1 output current			300	mA
	LDO2 output current			300	mA
$T_A$	Operating ambient temperature	-40		105	°C

## 6.4 Thermal Information

THERMAL METRIC <sup>(1)</sup>		TPS65000-Q1	UNIT
		RTE (WQFN)	
		16 PINS	
R <sub>θJA</sub>	Junction-to-ambient thermal resistance	46.4	°C/W
R <sub>θJC(top)</sub>	Junction-to-case (top) thermal resistance	56.1	°C/W
R <sub>θJB</sub>	Junction-to-board thermal resistance	19.2	°C/W
ψ <sub>JT</sub>	Junction-to-top characterization parameter	1.1	°C/W
ψ <sub>JB</sub>	Junction-to-board characterization parameter	19.1	°C/W
R <sub>θJC(bot)</sub>	Junction-to-case (bottom) thermal resistance	5.4	°C/W

(1) For more information about traditional and new thermal metrics, see the [Semiconductor and IC Package Thermal Metrics](#) application report.

## 6.5 Electrical Characteristics

Over full operating ambient temperature range, typical values are at T<sub>A</sub> = 25° C. Unless otherwise noted, specifications apply for condition V<sub>IN</sub> = EN\_LDOx = EN\_DCDC = 3.6 V. External components L = 2.2 μH, C<sub>OUT</sub> = 10 μF, C<sub>IN</sub> = 4.7 μF.

PARAMETER		TEST CONDITIONS	MIN	TYP	MAX	UNIT
<b>OPERATING VOLTAGE</b>						
V <sub>IN</sub>	Input voltage for VINDCDC of DC-DC converter		2.3		6	V
	Input voltage for LDO1 (VINLDO1)	See <sup>(1)</sup>	1.6		6	V
	Input voltage for LDO2 (VINLDO2)	See <sup>(1)</sup>	1.6		6	V
	Internal undervoltage (UVLO) lockout threshold	V <sub>CC</sub> falling	1.72	1.77	1.82	V
	Internal undervoltage (UVLO) lockout hysteresis			160		mV
<b>SUPPLY CURRENT</b>						
I <sub>Q</sub>	Operating quiescent current	MODE low, EN_DCDC high, EN_LDO1, EN_LDO2 low, I <sub>OUT</sub> = 0 mA and no switching		23	32	μA
		MODE low, EN_DCDC low, EN_LDO1, EN_LDO2 high, I <sub>OUT</sub> = 0 mA and no switching		50	57	
		EN_DCDC high, MODE high, EN_LDO1, EN_LDO2 low, I <sub>OUT</sub> = 0 mA			4	
I <sub>SD</sub>	Shutdown Current	EN_DCDC low EN_LDO1 and EN_LDO2 low		0.16	2.2	μA
<b>DIGITAL PINS (EN_DCDC, EN_LDO1, EN_LDO2, MODE, <math>\overline{\text{PG}}</math>)</b>						
V <sub>IH</sub>	High-level input voltage		1.2			V
V <sub>IL</sub>	Low-level input voltage				0.4	V
V <sub>OL</sub>	Low-level output voltage	$\overline{\text{PG}}$ pins only, I <sub>O</sub> = -100 μA			0.4	V
I <sub>lkg</sub>	Input leakage current	MODE, EN_DCDC, EN_LDO1, EN_LDO2 tied to GND or VINDCDC		0.01	0.1	μA
<b>OSCILLATOR</b>						
f <sub>SW</sub>	Oscillator frequency	SSCG enabled, SSC modulation ratio = 16%	1.722	2.25	2.847	MHz
		SSCG disabled, SSC modulation ratio disabled	2.01	2.25	2.41	
<b>STEP-DOWN CONVERTER POWER SWITCH</b>						
r <sub>DS(on)</sub>	High-side MOSFET ON-resistance	VINDCDC = V <sub>GS</sub> = 3.6 V		240	480	mΩ
	Low-side MOSFET ON-resistance	VINDCDC = V <sub>GS</sub> = 3.6 V		185	380	mΩ
I <sub>O</sub>	DC output current	2.3 V ≤ VINDCDC ≤ 2.5 V			300	mA
		2.5 V ≤ VINDCDC ≤ 6 V			600	

(1) The design principle allows only VINDCDC to be the highest supply in the system. If separate input voltage supplies are used for the DC-DC converter and LDOs, then choose VINDCDC ≥ VINLDO1 and VINDCDC ≥ VINLDO2.

## Electrical Characteristics (continued)

Over full operating ambient temperature range, typical values are at  $T_A = 25^\circ\text{C}$ . Unless otherwise noted, specifications apply for condition  $V_{IN} = EN\_LDOx = EN\_DCDC = 3.6\text{ V}$ . External components  $L = 2.2\ \mu\text{H}$ ,  $C_{OUT} = 10\ \mu\text{F}$ ,  $C_{IN} = 4.7\ \mu\text{F}$ .

PARAMETER		TEST CONDITIONS	MIN	TYP	MAX	UNIT
$I_{LIMF}$	Forward current limit, PMOS and NMOS	$2.3\text{ V} \leq V_{INDCDC} \leq 6\text{ V}$	800	1000	1400	mA
<b>STEP-DOWN CONVERTER POWER SWITCH (continued)</b>						
$T_{SD}$	Thermal shutdown	Increasing junction temperature		150		$^\circ\text{C}$
	Thermal shutdown hysteresis	Decreasing junction temperature		30		$^\circ\text{C}$
<b>STEP-DOWN CONVERTER OUTPUT VOLTAGE</b>						
VDCDC	Adjustable output voltage range, VDCDC		0.6		VINDCDC	V
	FB_DCDC pin current				0.1	$\mu\text{A}$
$V_{ref}$	Internal reference voltage		0.594	0.6	0.606	V
VDCDC	Output-voltage accuracy (PWM mode) <sup>(2)</sup>	MODE = high, $2.3 \leq V_{INDCDC} \leq 6\text{ V}$	-1.5%	0%	1.5%	
	Output-voltage accuracy (PFM mode) <sup>(3)</sup>	MODE low +1% voltage positioning active		1%		
	Load regulation (PWM mode)	MODE high		0.5		%/A
$R_{DIS}$	Internal discharge resistance at SW	EN_DCDC low		450		$\Omega$
<b>LOW-DROPOUT REGULATORS</b>						
$V_I$	Input voltage for LDOx (VINLDOx)		1.6		6	V
$V_O$	Adjustable output voltage, LDOx (VLDOx) <sup>(4)</sup>		0.73		VINLDOx – $V_{DO}$	V
$I_O$	Continuous-pass FET current				300	mA
$I_{SC}$	Short-circuit current limit	$2.3\text{ V} \leq V_{INLDOx}$	340		700	mA
		$V_{INLDOx} < 2.3\text{ V}$	210		700	
	FB_LDOx pin current				0.1	$\mu\text{A}$
	FB_LDOx voltage	Adjustable $V_{OUT}$ mode only		0.5		V
$V_{DO}$	Dropout voltage <sup>(5)</sup>	$V_{INLDOx} \geq 2.3\text{ V}$ , $I_{OUT} = 250\text{ mA}$			370	mV
		$V_{INLDOx} < 2.3\text{ V}$ , $I_{OUT} = 175\text{ mA}$			370	mV
	Output voltage accuracy <sup>(6)</sup>	$I_O = 1\text{ mA to }300\text{ mA}$ , $V_{INLDOx} = 2.3\text{ V} - 6\text{ V}$ , $V_{LDOx} = 1.2\text{ V}$	-3.5%		3.5%	
		$I_O = 1\text{ mA to }175\text{ mA}$ , $V_{INLDOx} = 1.6\text{ V} - 6\text{ V}$ , $V_{LDOx} = 1.2\text{ V}$	-3.5%		3.5%	
	Load regulation	$I_O = 1\text{ mA to }300\text{ mA}$ , $V_{INLDOx} = 3.6\text{ V}$ , $V_{LDOx} = 1.2\text{ V}$	-1.5%		1.5%	
	Line regulation	$V_{INLDOx} = 1.6\text{ V} - 6\text{ V}$ , $V_{LDOx} = 1.2\text{ V}$ at $I_O = 1\text{ mA}$	-0.5%		0.5%	
PSRR	Power-supply rejection ratio	$f_{NOISE} \leq 10\text{ kHz}$ , $C_{OUT} \geq 2.2\ \mu\text{F}$ , $V_{IN} = 2.3\text{ V}$ , $V_{OUT} = 1.3\text{ V}$ , $I_{OUT} = 10\text{ mA}$		40		dB
$R_{DIS}$	Internal discharge resistance at VLDOx	EN_LDOx low		450		$\Omega$
$T_{SD}$	Thermal shutdown	Increasing temperature		150		$^\circ\text{C}$
	Thermal shutdown hysteresis	Decreasing temperature		30		$^\circ\text{C}$

(2) For  $V_{INDCDC} = V_{DCDC} + 1\text{ V}$

(3) In PFM mode, the internal reference voltage is typically  $1.01 \times V_{REF}$ .

(4) Maximum output voltage  $V_{LDOx} = 3.6\text{ V}$ .

(5)  $V_{DO} = V_{INLDOx} - V_{LDOx}$ , where  $V_{INLDOx} = V_{LDOx}(\text{nom}) - 100\text{ mV}$

(6) Output voltage specification does not include tolerance of external programming resistors.

### 6.6 Switching Characteristics

over operating free-air temperature range (unless otherwise noted)

PARAMETER	TEST CONDITIONS	MIN	TYP	MAX	UNIT
<b>STEP-DOWN CONVERTER OUTPUT VOLTAGE</b>					
t <sub>Start</sub>	Start-up time	EN_DCDC to start of switching (10%)		250	μs
t <sub>Ramp</sub>	VDCDC ramp-up time	VDCDC ramp from 10% to 90%		250	μs
<b>LOW-DROPOUT REGULATORS</b>					
t <sub>RAMP</sub>	VLDOx ramp time	VLDOx ramp from 10% to 90%		200	μs

### 6.7 Typical Characteristics

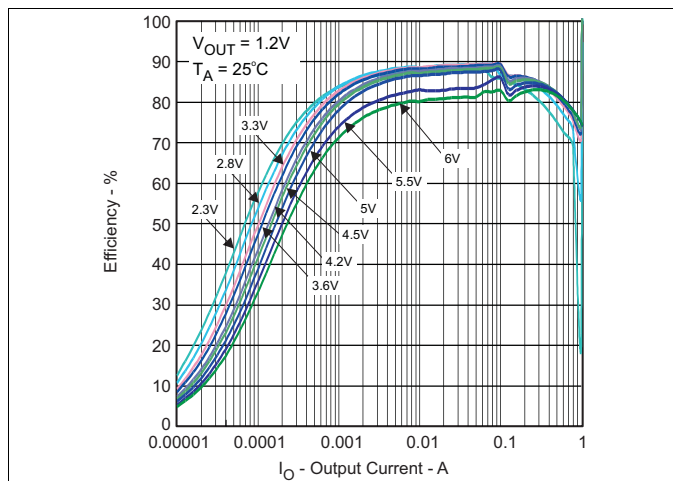


Figure 1. Efficiency (DC-DC 600-mA PFM Mode) vs Output Current

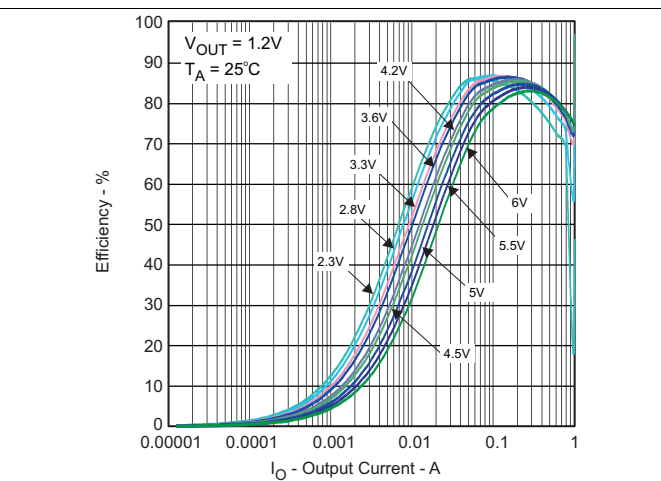


Figure 2. Efficiency (DC-DC 600-mA PWM Mode) vs Output Current

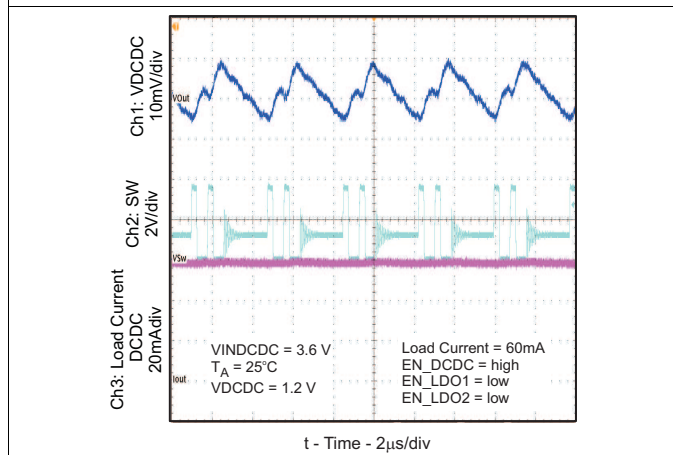


Figure 3. Output Voltage Ripple (DC-DC PFM Mode)

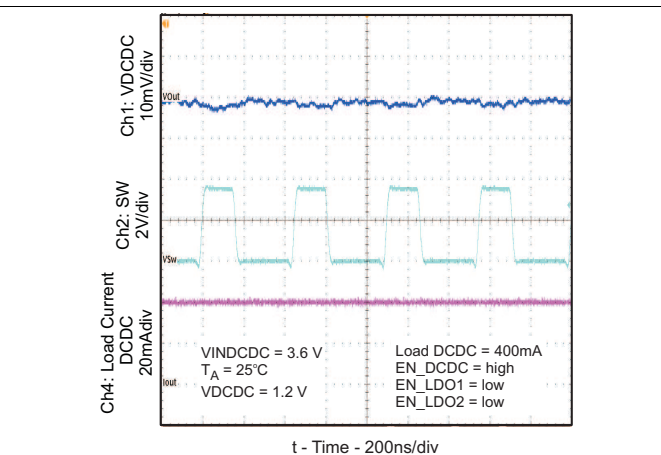
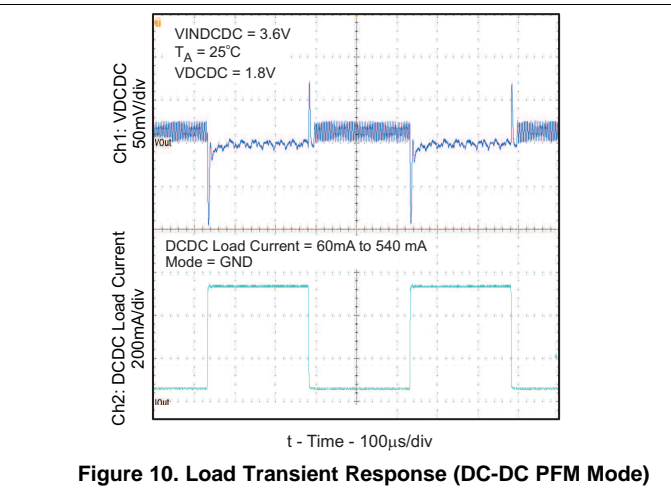
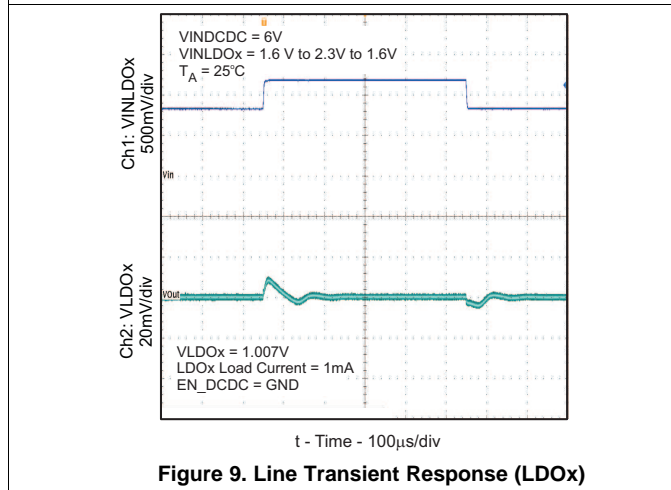
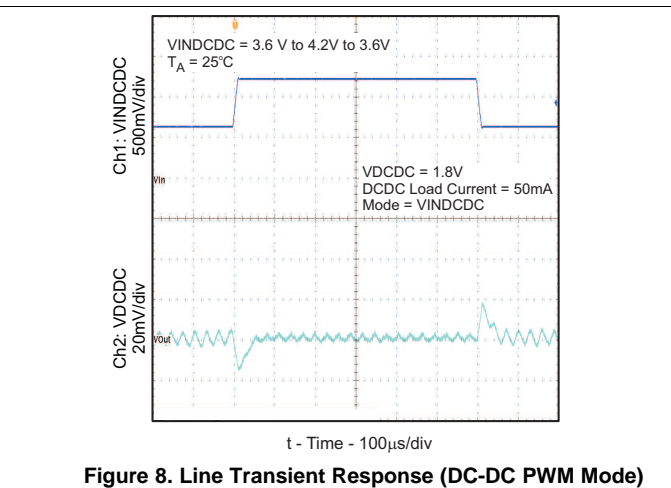
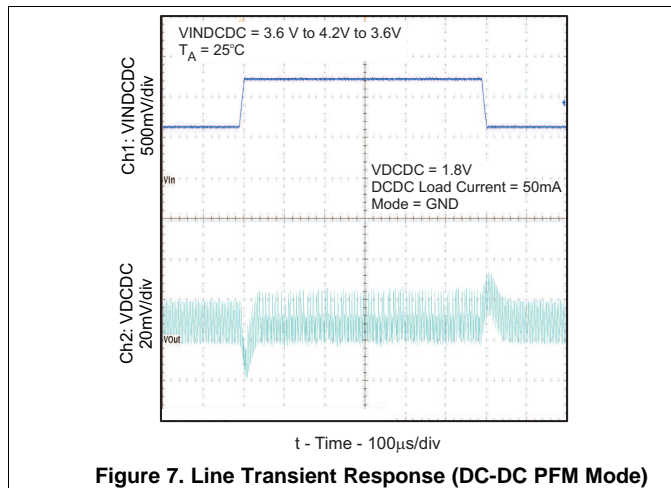
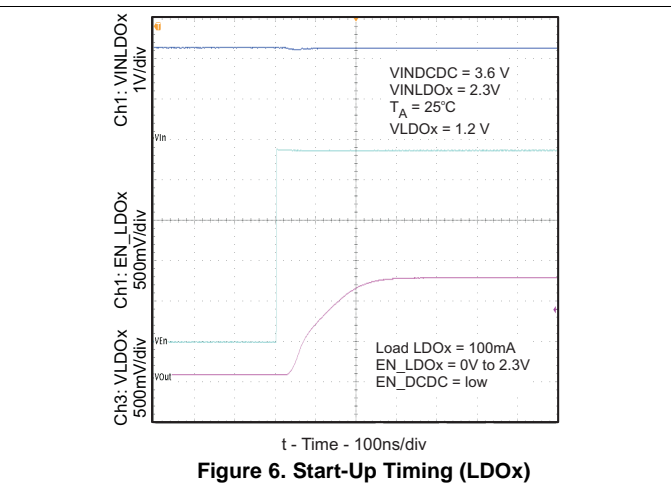
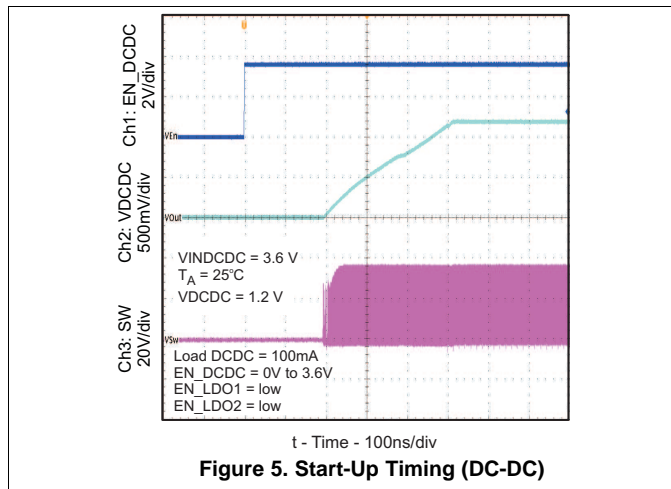


Figure 4. Output Voltage Ripple (DC-DC PWM Mode)



Typical Characteristics (continued)





Typical Characteristics (continued)

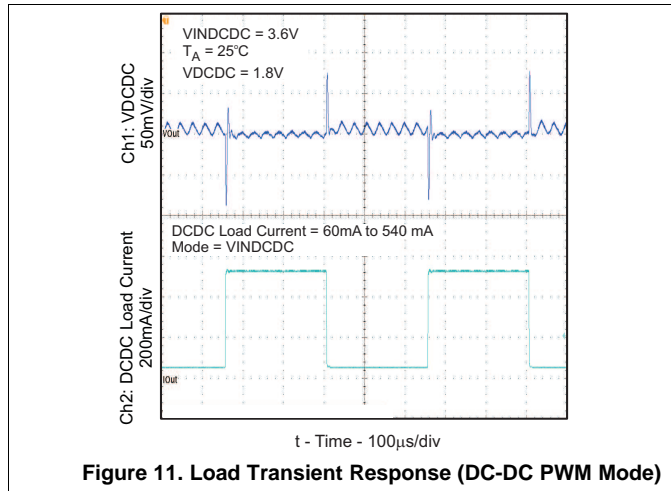


Figure 11. Load Transient Response (DC-DC PWM Mode)

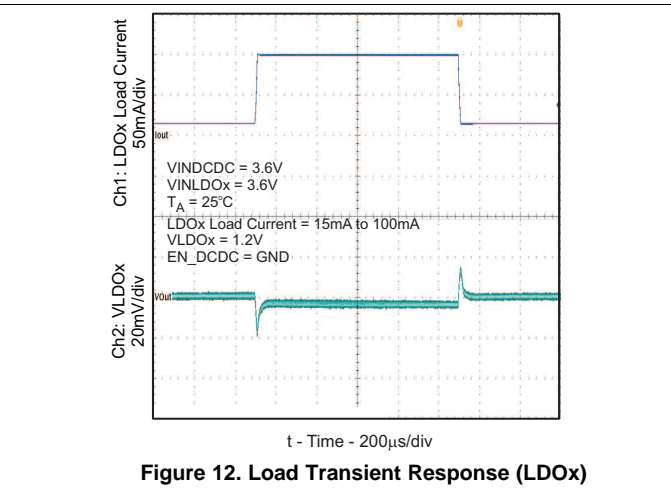


Figure 12. Load Transient Response (LDOx)

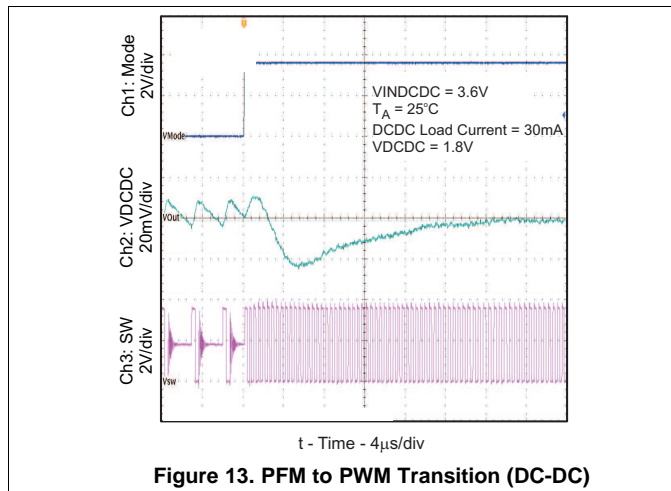


Figure 13. PFM to PWM Transition (DC-DC)

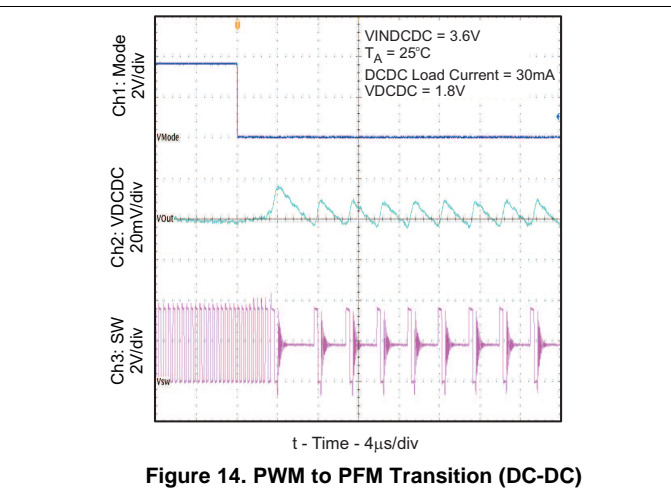


Figure 14. PWM to PFM Transition (DC-DC)

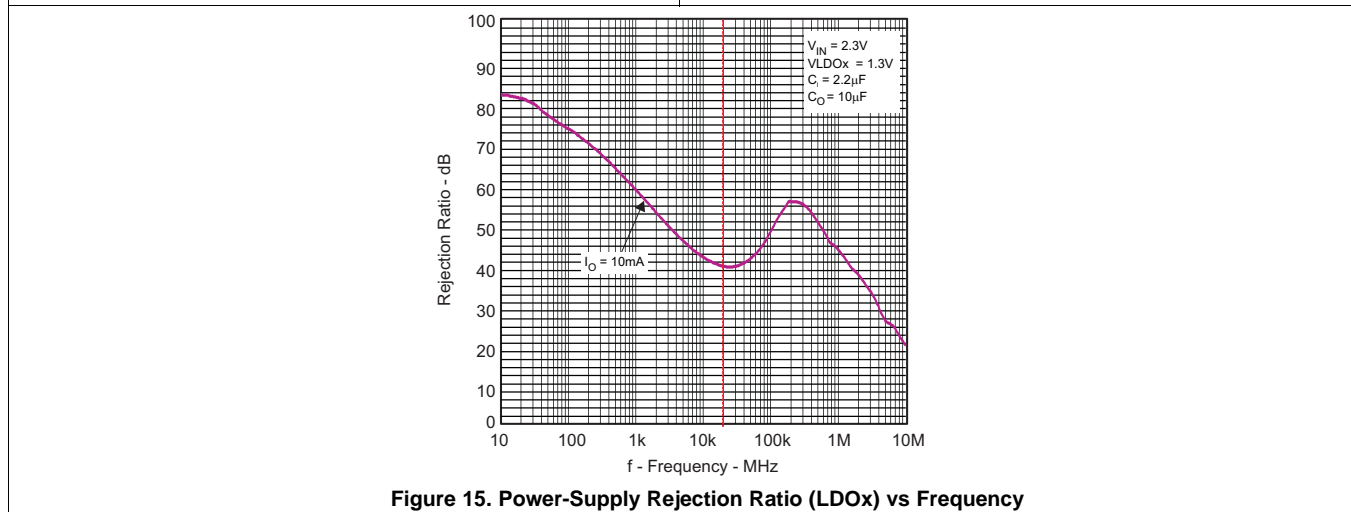


Figure 15. Power-Supply Rejection Ratio (LDOx) vs Frequency

## 7 Detailed Description

### 7.1 Overview

The TPS65000-Q1 device provides one step-down converter, two low dropout regulators and spread spectrum clock generation. The device has an input voltage range of 2.3 V to 6 V. This device is intended for (but not limited to) powering automotive camera modules.

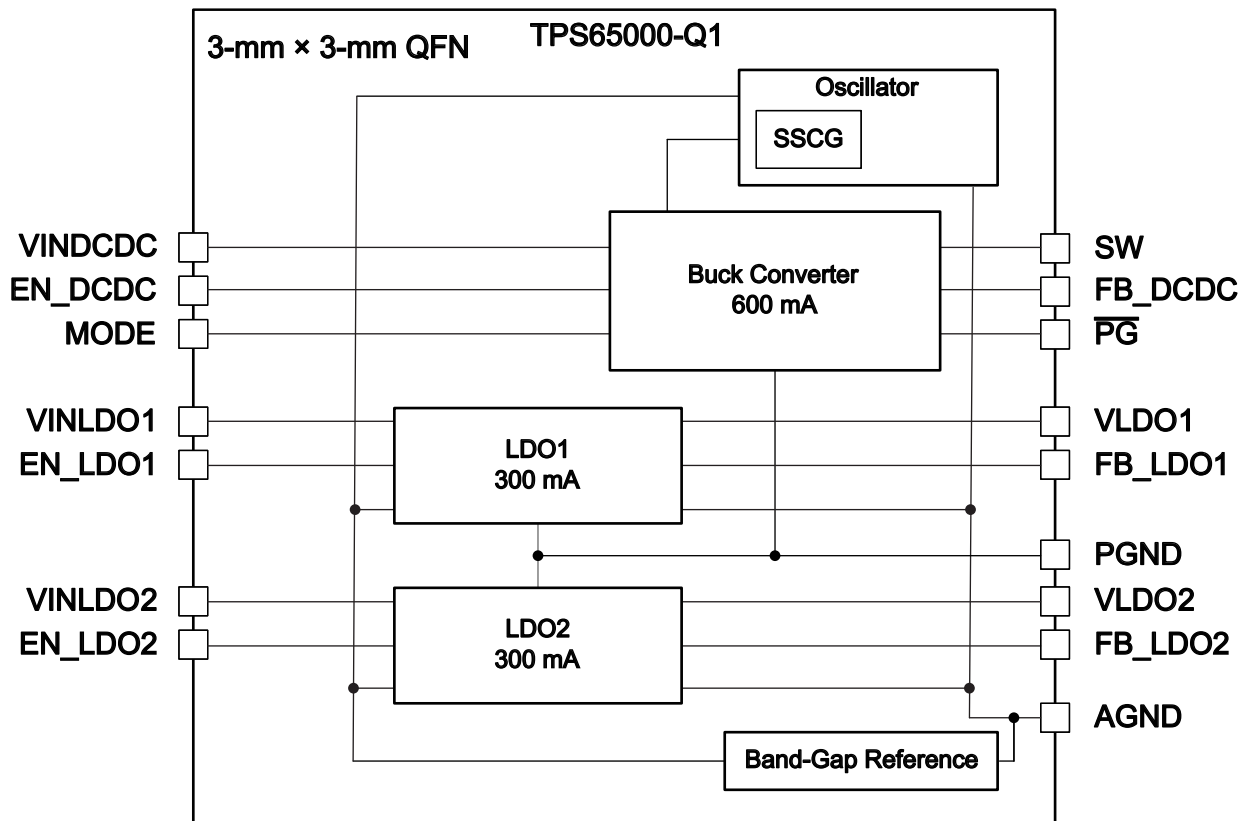
The output voltage of the step-down converter can be selected through resistor networks on the output. To maximize efficiency, there are two modes of operation based on load conditions: PWM or PFM. By pulling the MODE pin high, forced PWM can be achieved. Pulling this pin low results in an automatic adjustment between PFM and PWM modes.

The two general-purpose low-dropout regulators each have their own separate enables and voltage inputs. The inputs can be tied to the output of the step-down converter or to a separate voltage source. Resistor networks are required on the output of the regulator to set the output voltage.

The switching frequency of the step-down converter is handled by the oscillator, with a typical frequency of 2.25 MHz. The spread spectrum clock (SSC) modulates this frequency when the device is in PWM mode. This additional circuit in the oscillator block reduces power that may cause EMI.

The TPS65000-Q1 device also provides a power good signal to monitor the condition of the DC-DC and both LDOs. The DC-DC and LDOs are only monitored if their enable signal is high. If all enabled resources are in regulation, the pin is pulled low. If one or more of the enabled resources are out of regulation, the pin is placed in Hi-Z.

### 7.2 Functional Block Diagram



## 7.3 Feature Description

### 7.3.1 Step-Down Converter

The step-down converter is intended to allow maximum flexibility in the end equipment. The output voltage is user-selectable with a resistor network on the output. Figure 16 shows the necessary connections.

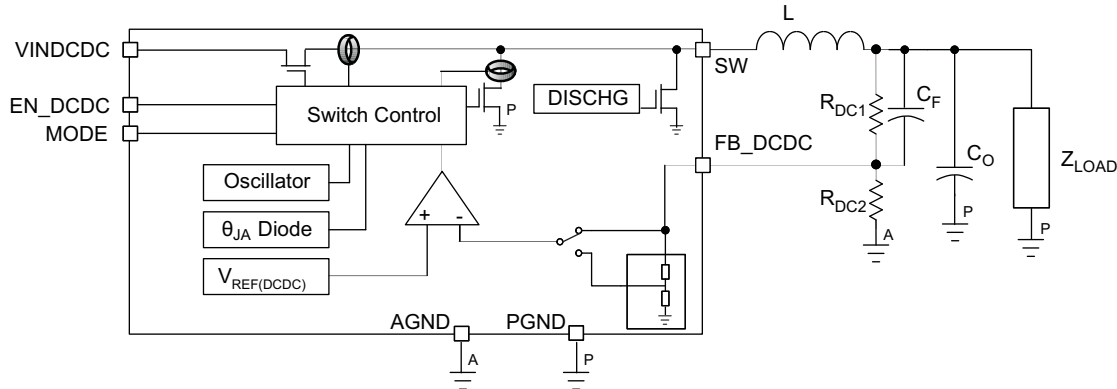


Figure 16. DC-DC Converter Block Diagram and Output Voltage Setting

The output voltage of the DC-DC converter is set by Equation 1:

$$V_{DCDC} = V_{FB\_DCDC} \times \frac{(R_{DC1} + R_{DC2})}{R_{DC2}}$$

$$V_{DCDC} = 0.6V \times \frac{(R_{DC1} + R_{DC2})}{R_{DC2}} \quad (1)$$

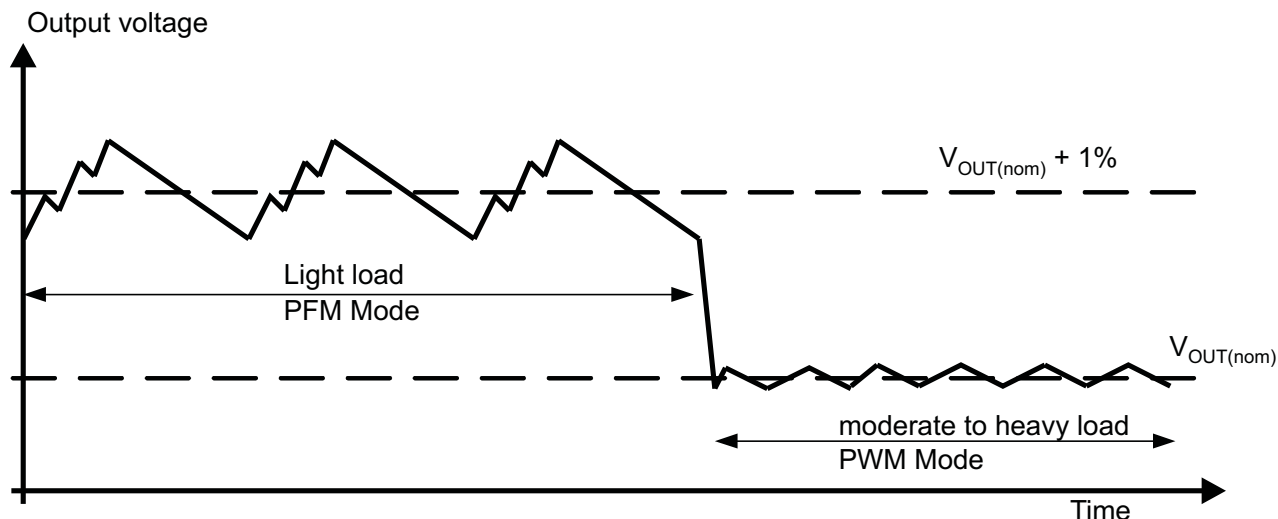
The combined resistance of  $R_{DC1}$  and  $R_{DC2}$  should be less than 1 M $\Omega$ .

Fixed output voltages and additional current-limit options are also possible. Contact TI for further information.

The step-down converter has two modes of operation to maximize efficiency at different load conditions. At moderate to heavy load currents, the device operates in a fixed-frequency pulse-width modulation (PWM) mode that results in small output ripple and high efficiency. Pulling the MODE pin to a DC-high level results in PWM mode over the entire load range.

At light load currents, the device operates in a pulsed frequency-modulation (PFM) mode to improve efficiency. The transition to this mode occurs when the inductor current through the low-side FET becomes zero, indicating discontinuous conduction. PFM mode also results in the output voltage increasing by 1% from its nominally set value. This voltage positioning is intended to minimize both the voltage undershoot of a load step from light to heavy loads, as when a processor moves from sleep to active modes, and the voltage overshoot at load removal. Figure 17 shows the voltage positioning behavior for a light-to-heavy load step.

## Feature Description (continued)



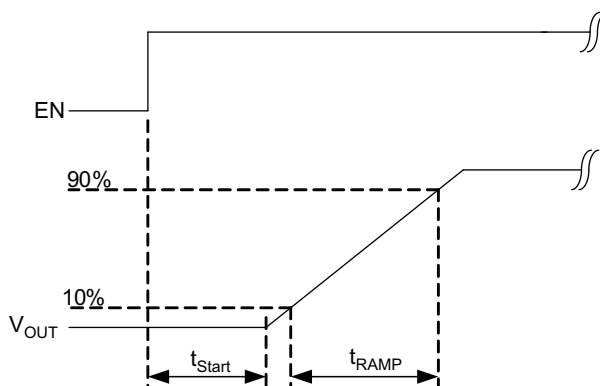
**Figure 17. PFM Voltage Positioning**

Pulling the MODE pin to DC ground results in an automatic transition between PFM and PWM modes to maximize efficiency.

The DC-DC converter output automatically discharges to ground through an internal 450-Ω load when EN\_DCDC goes low or when the UVLO condition is met.

### 7.3.2 Soft Start

The step-down converter has an internal soft-start circuit that limits the inrush current during start-up. During soft start, the output voltage ramp-up is controlled as shown in Figure 18.



**Figure 18. Soft Start**

### 7.3.3 Linear Regulators

The two linear dropout regulators (LDOs) in the TPS65000-Q1 are designed to provide flexibility in system design. Each LDO has a separate voltage input and enable signal. The input can be tied to the output of the step-down converter or the output of another voltage source. Each LDO output discharges to ground automatically when EN\_LDOx goes low.

A resistor network is needed to set the output voltage of the LDOs. Fixed-voltage output versions are also available; contact a TI sales representative for more information.

The LDOs are general-purpose devices that can handle inputs from 6 V down to 1.6 V. Figure 19 shows the necessary connections for LDO1. The same architecture applies to LDO2.

Feature Description (continued)

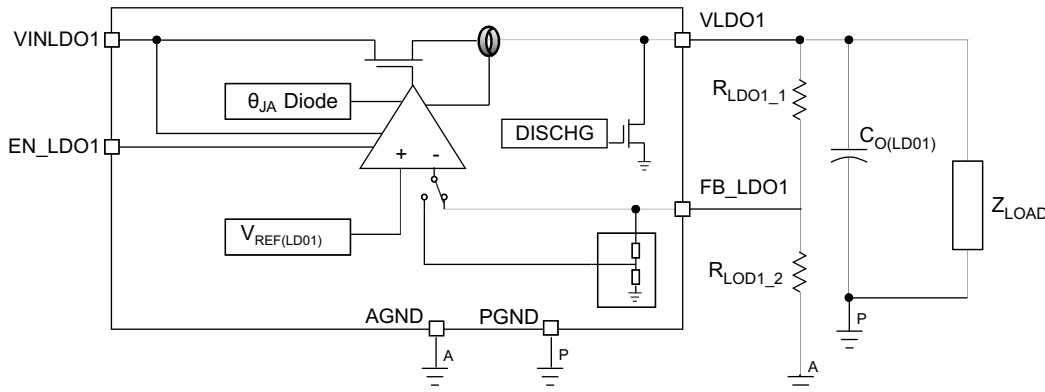


Figure 19. LDO Block Diagram and Output Voltage Setting

The output voltages of the LDOs are set by Equation 2:

$$V_{LDO1} = V_{FB\_LDO1} \times \frac{(R_{LDO1\_1} + R_{LDO1\_2})}{R_{LDO1\_2}}$$

$$V_{LDO1} = 0.5V \times \frac{(R_{LDO1\_1} + R_{LDO1\_2})}{R_{LDO1\_2}}$$

(2)

The combined resistance of  $R_{LDO1\_1}$  and  $R_{LDO1\_2}$  should be less than 1 MΩ.

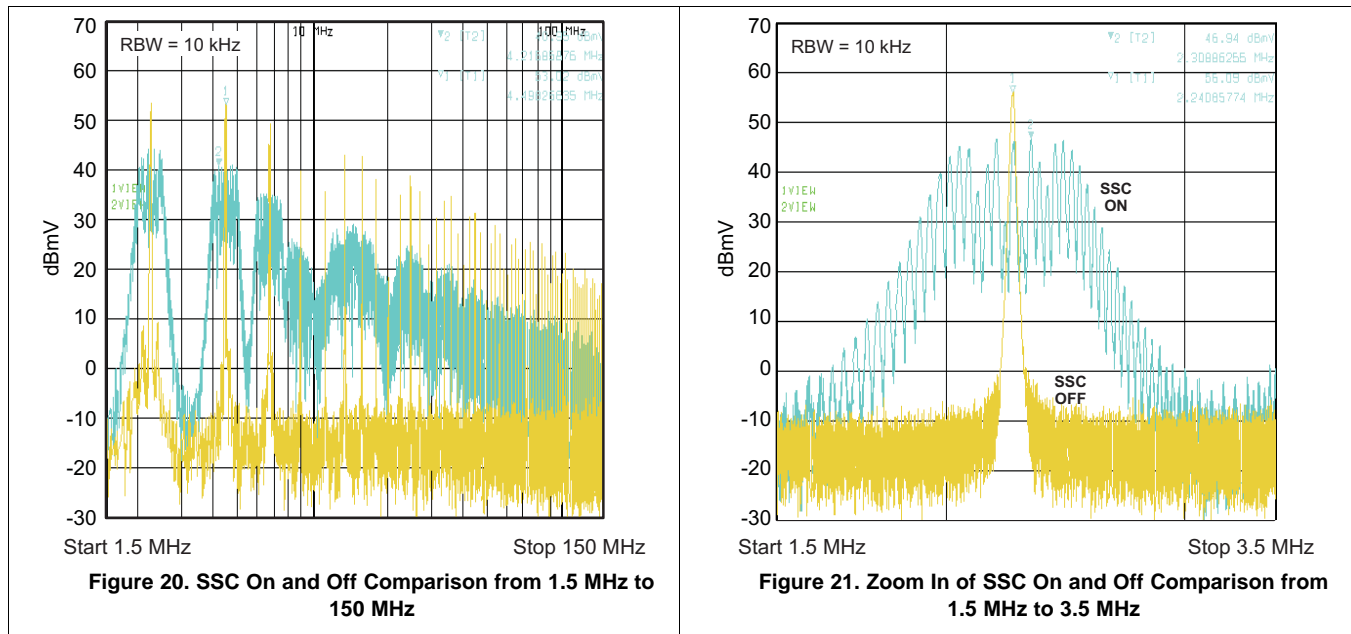
7.3.4 Oscillator and Spread-Spectrum Clock Generation

The TPS65000-Q1 contains an internal oscillator running at a typical frequency of 2.25 MHz. This frequency is the fundamental switching frequency of the step-down converter when it is running in PWM mode. An additional circuit in the oscillator block implements spread-spectrum clocking, which modulates the main switching frequency when the device is in PWM mode. This spread-spectrum oscillation reduces the power that may cause EMI. When viewed in the frequency domain, the SSC spreads out the frequency that may introduce interference while simultaneously reducing the power. Because the frequency is continually shifting, the amount of time the switcher spends at any single frequency is reduced. This reduction in time means that the receiver that may see the interference has less time to integrate the interference.

Different spin versions of SSC settings are also possible; contact a TI sales representative for more information.

Figure 20 and Figure 21 show the advantage of SSC with the frequency spectrum centering on the nominal frequency 2.25 MHz. The blue spectrum is the result of the spread change. As shown in the figures, the harmonic spectrum is attenuated to 10 dB, compared to the same device without SSC.

Feature Description (continued)



7.3.5 Power Good

The open-drain  $\overline{\text{PG}}$  output is used to indicate the condition of the step-down converter and each LDO. This is a combined output, with the outputs being compared when the appropriate enable signal is high. The pin is pulled low when all enabled outputs are greater than 90% of the target voltage, and it is pulled into Hi-Z when an enabled output is less than 90% of its intended value or when all the enable signals are pulled low.

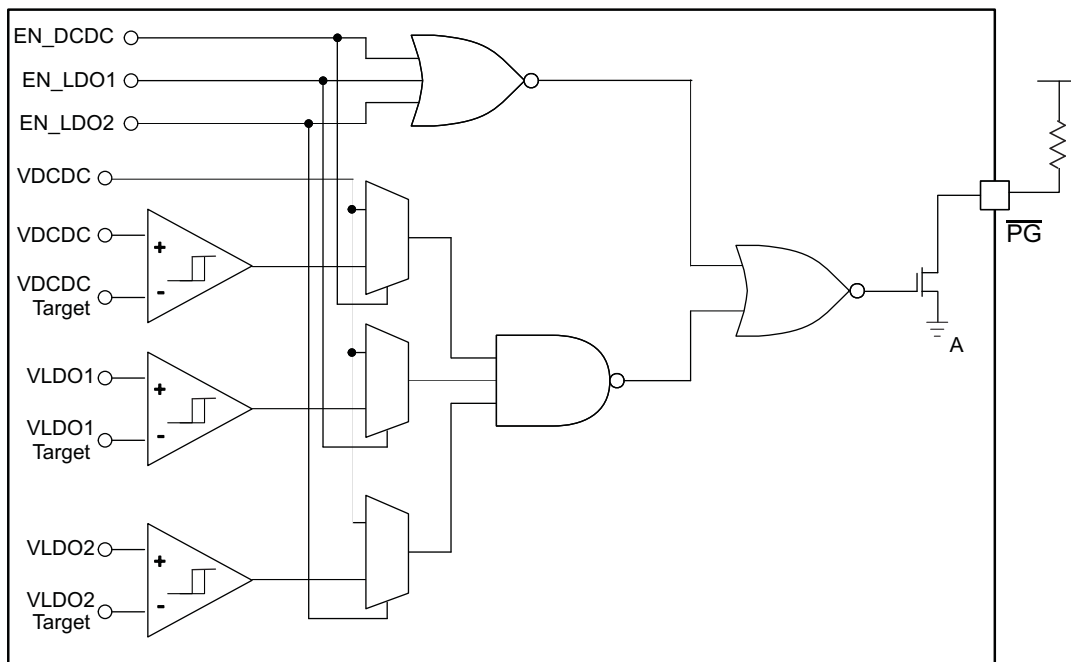


Figure 22. Power-Good Functionality

## 7.4 Device Functional Modes

The step-down converter has two modes of operation to maximize efficiency:

1. PFM
  - For light loads
  - For automatic transition to between this mode and PWM mode automatically when MODE pin is pulled low over all load ranges
  - To increase in output voltage setting by 1%
  - For better accuracy
2. PWM
  - For moderate to heavy loads
  - For a small output ripple
  - For maintaining the specified switching frequency variation by pulling the MODE pin high which places the device in a forced PWM mode over the entire load range.



## 8 Application and Implementation

### NOTE

Information in the following applications sections is not part of the TI component specification, and TI does not warrant its accuracy or completeness. TI's customers are responsible for determining suitability of components for their purposes. Customers should validate and test their design implementation to confirm system functionality.

### 8.1 Application Information

The TPS65000-Q1 can be used in an automotive-camera sensor module to generate the AVDD, DVDD, and IOVDD voltage rails. For noise immunity, one of the LDOs should be used to generate the AVDD voltage rail. To minimize power dissipation, the DC-DC converter should be used to power the DVDD rail because the DVDD rail normally has a lower operating voltage and higher current consumption.

### 8.2 Typical Application

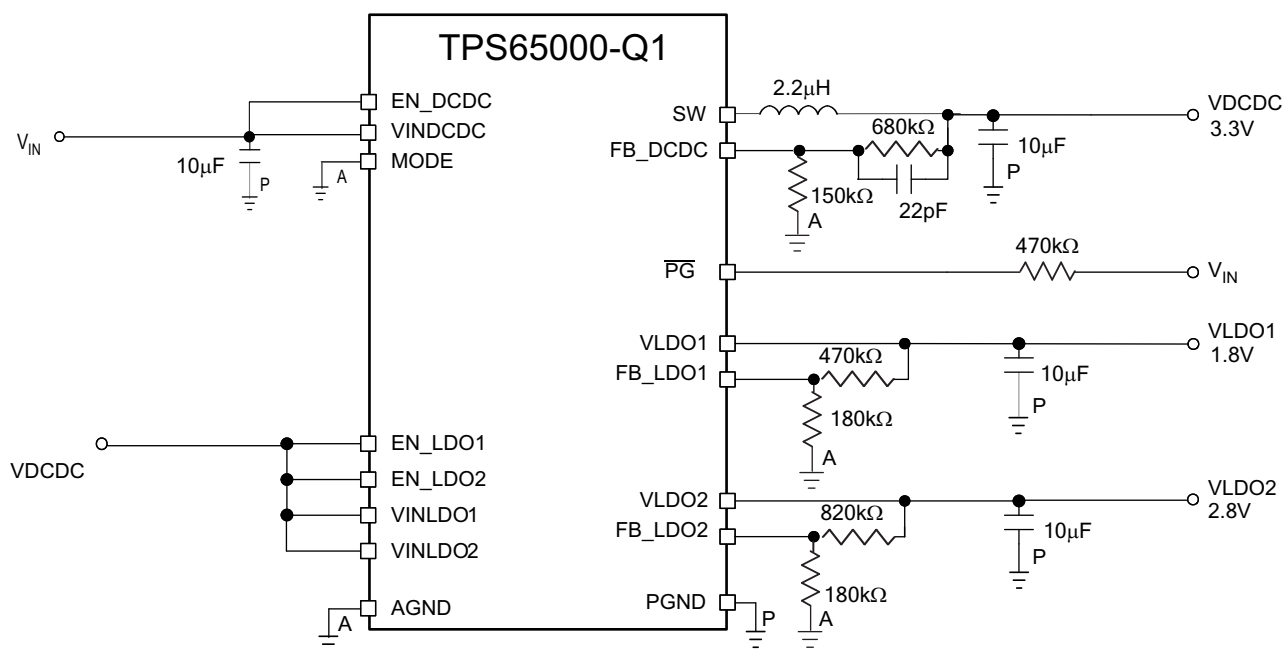


Figure 23. Typical TPS65000-Q1 Application Schematic

#### 8.2.1 Design Requirements

For this design example, use the parameters listed in [Table 1](#).

Table 1. Design Parameters

RESOURCES	VOLTAGE
SW	3.3 V
VLDO1	1.8 V
VLDO2	2.8 V

## 8.2.2 Detailed Design Procedure

### 8.2.2.1 Output Filter Design (Inductor and Output Capacitor)

#### 8.2.2.1.1 Inductor Selection

The typical value for the converter inductor is 2.2- $\mu$ H output inductor. Larger or smaller inductor values in the range of 1.5  $\mu$ H to 3.3  $\mu$ H can optimize the performance of the device for specific operation conditions. The selected inductor must be rated for its DC resistance and saturation current. The DC resistance of the inductance influences the efficiency of the converter directly. An inductor with lowest DC resistance must be selected for highest efficiency. For more information on inductor selection, refer to [Choosing Inductors and Capacitors for DC/DC Converters](#).

[Equation 3](#) calculates the maximum inductor current under static load conditions. The saturation current of the inductor should be rated higher than the maximum inductor current as calculated with [Equation 4](#). TI recommends this because during heavy load transient, the inductor current rises above the calculated value.

$$\Delta I_L = V_{OUT} \times \frac{1 - \frac{V_{OUT}}{V_{IN}}}{L \times f}$$

where

- f = Switching Frequency (2.25-MHz typical)
- L = Inductor Value
- $\Delta I_L$  = Peak-to-peak Inductor Ripple Current

(3)

$$I_{Lmax} = I_{OUTmax} + \frac{\Delta I_L}{2}$$

where

- $I_{Lmax}$  = Maximum Inductor Current

(4)

The highest inductor current occurs at maximum  $V_{IN}$ .

Open-core inductors have a soft saturation characteristic and can usually handle higher inductor currents versus a comparable shielded inductor.

A more conservative approach is to select the inductor current rating just for the maximum switch current of the corresponding converter. Consider that the core material from inductor to inductor differs and impacts the efficiency especially at high-switching frequencies.

The step down converter has internal loop compensation. TI designed the internal loop compensation to work with a certain output filter corner frequency calculated as in [Equation 5](#):

$$f_C = \frac{1}{2\pi \sqrt{L \times C_{OUT}}} \text{ with } L = 2.2\mu\text{H}, C_{OUT} = 10\mu\text{F}$$

(5)

The selection of external L-C filter must be coped with [Equation 5](#). The product of  $L \times C_{OUT}$  must be constant while selecting smaller inductor or increasing output capacitor value.

### 8.2.2.1.2 Output Capacitor Selection

The advanced fast response voltage mode control scheme of the converter allows the use of small ceramic capacitors with a typical value of 22  $\mu\text{F}$ , without having large output voltage under and overshoots during heavy load transients. TI recommends ceramic capacitors with low ESR values because they result in lowest output voltage ripple. See for the TI-recommended components.

If ceramic output capacitors are used, the capacitor RMS ripple current rating always meets the application requirements. The RMS ripple current is calculated as in [Equation 6](#):

$$I_{\text{RMS}C_{\text{out}}} = V_{\text{OUT}} \times \frac{1 - \frac{V_{\text{OUT}}}{V_{\text{IN}}}}{L \times f} \times \frac{1}{2 \times \sqrt{3}} \quad (6)$$

At nominal load current, the device operates in PWM mode and the overall output voltage ripple is the sum of the voltage spike caused by the output capacitor ESR plus the voltage ripple caused by charging and discharging the output capacitor as calculated in [Equation 7](#):

$$\Delta V_{\text{OUT}} = V_{\text{OUT}} \times \frac{1 - \frac{V_{\text{OUT}}}{V_{\text{IN}}}}{L \times f} \times \left( \frac{1}{8 \times C_{\text{OUT}} \times f} + \text{ESR} \right) \quad (7)$$

Where the highest output voltage ripple occurs at the highest input voltage  $V_{\text{IN}}$ .

At light load currents, the converter operates in power save mode and the output voltage ripple is dependent on the output capacitor value. The output voltage ripple is set by the internal comparator delay and the external capacitor. The typical output voltage ripple is less than 1% of the nominal output voltage.

The adjustable output voltage of the DC-DC converter is calculated by [Equation 1](#) in the [Step-Down Converter](#). To keep the external resistor divider network robust against noise, an external feed forward capacitor is required for optimum load transient response. The value of feed forward capacitor must be in the range between 22 pF and 33 pF provided the equivalent resistance of  $\text{RDC1} \parallel \text{RDC2}$  in [Equation 1](#) is approximately 300 k $\Omega$ . Scale change on  $\text{RDC1} \parallel \text{RDC2}$  would apply a scale change to the feed forward capacitor to keep the RC product a constant.

### 8.2.2.1.3 Input Capacitor Selection

Due to the DC-DC converter having a pulsating input current, a low-ESR input capacitor is required for best input voltage filtering, and minimizing the interference with other circuits caused by high-input voltage spikes. Place the input capacitor as close as possible to the VINDCDC pin with the clean GND connection. Do the same for the output capacitor and the inductor. The converters require a ceramic input capacitor of 10  $\mu\text{F}$ . The input capacitor can increase without any limit for better input voltage filtering.

8.2.3 Application Curves

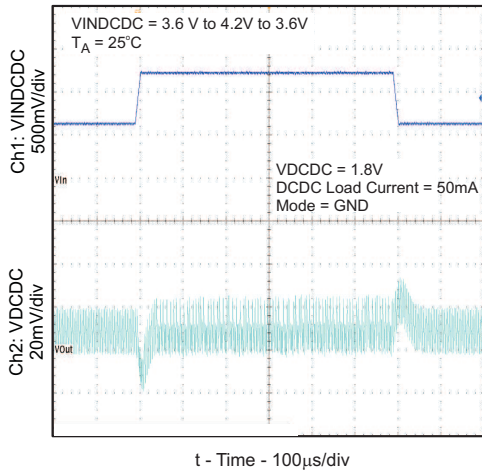


Figure 24. Line Transient Response (DC-DC PFM Mode)

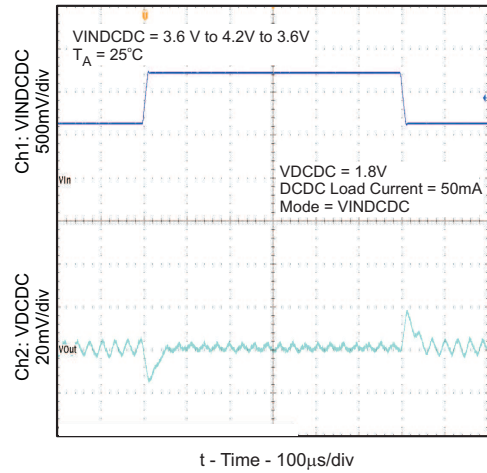


Figure 25. Line Transient Response (DC-DC PWM Mode)

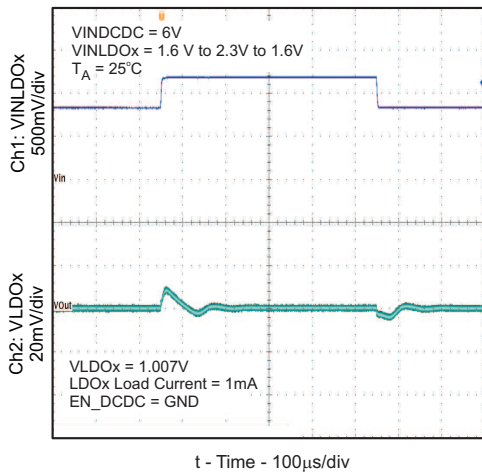


Figure 26. Line Transient Response (LDOx)

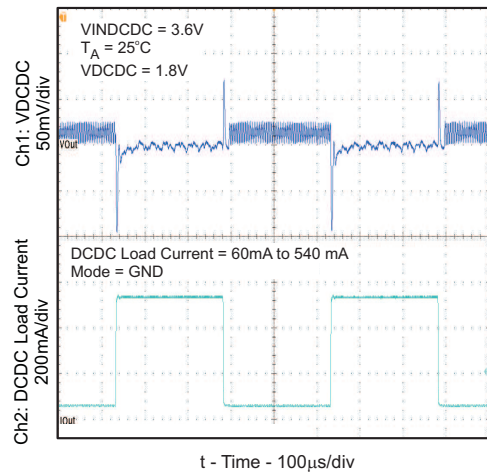


Figure 27. Load Transient Response (DC-DC PFM Mode)

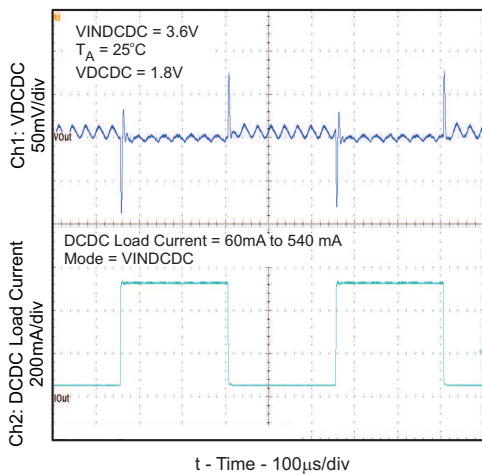


Figure 28. Load Transient Response (DC-DC PWM Mode)

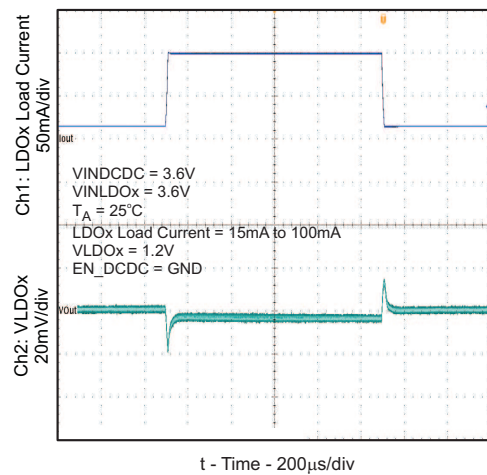


Figure 29. Load Transient Response (LDOx)

## 9 Power Supply Recommendations

The device is designed to operate with an input voltage supply range from 1.6 V to 6 V. This input supply can be from a DC supply, or other externally regulated supply. If the input supply is located more than a few inches from the TPS65000-Q1, additional bulk capacitance may be required in addition to the ceramic bypass capacitors. An electrolytic capacitor with a value of 10  $\mu\text{F}$  is a typical choice.

## 10 Layout

### 10.1 Layout Guidelines

- The VINDCDC and VINLDOx pins must be bypassed to ground with a low-ESR ceramic bypass capacitor. TI recommends the typical bypass capacitance is 10  $\mu\text{F}$  and 2.2  $\mu\text{F}$  with a X5R dielectric.
- The optimum placement is closest to the VINDCDCx and VINLDOx pins of the device. Minimize the loop area formed by the bypass capacitor connection, the VINDCDC and VINLDO pins, and the thermal pad of the device.
- The thermal pad must be tied to the PCB ground plane with multiple vias.
- The traces of the VLDOx and VDCDCx pins (feedback pins) must be routed away from any potential noise source to avoid coupling.
- VODC output capacitance must be placed immediately at the VODC pin. Excessive distance between the capacitance and DCDCx pin may cause poor converter performance.
- AGND star back to PGND as close to the device as possible.
- DGND connect to the thermal pad

### 10.2 Layout Examples

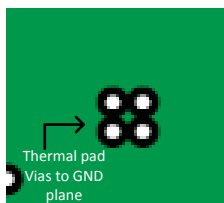


Figure 30. Layout Recommendation

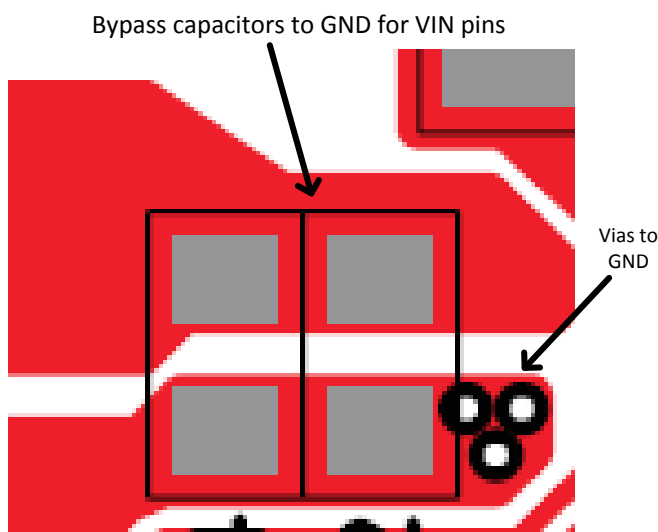


Figure 31. Bypass Capacitor and Via Placement Recommendation

## 11 Device and Documentation Support

### 11.1 Device Support

#### 11.1.1 Third-Party Products Disclaimer

TI'S PUBLICATION OF INFORMATION REGARDING THIRD-PARTY PRODUCTS OR SERVICES DOES NOT CONSTITUTE AN ENDORSEMENT REGARDING THE SUITABILITY OF SUCH PRODUCTS OR SERVICES OR A WARRANTY, REPRESENTATION OR ENDORSEMENT OF SUCH PRODUCTS OR SERVICES, EITHER ALONE OR IN COMBINATION WITH ANY TI PRODUCT OR SERVICE.

### 11.2 Documentation Support

#### 11.2.1 Related Documentation

For related documentation, see the following:

[Choosing Inductors and Capacitors for DC/DC Converters](#)

### 11.3 Receiving Notification of Documentation Updates

To receive notification of documentation updates, navigate to the device product folder on ti.com. In the upper right corner, click on *Alert me* to register and receive a weekly digest of any product information that has changed. For change details, review the revision history included in any revised document.

### 11.4 Community Resources

The following links connect to TI community resources. Linked contents are provided "AS IS" by the respective contributors. They do not constitute TI specifications and do not necessarily reflect TI's views; see TI's [Terms of Use](#).

**TI E2E™ Online Community** *TI's Engineer-to-Engineer (E2E) Community*. Created to foster collaboration among engineers. At e2e.ti.com, you can ask questions, share knowledge, explore ideas and help solve problems with fellow engineers.

**Design Support** *TI's Design Support* Quickly find helpful E2E forums along with design support tools and contact information for technical support.

### 11.5 Trademarks

E2E is a trademark of Texas Instruments.  
All other trademarks are the property of their respective owners.

### 11.6 Electrostatic Discharge Caution



This integrated circuit can be damaged by ESD. Texas Instruments recommends that all integrated circuits be handled with appropriate precautions. Failure to observe proper handling and installation procedures can cause damage.

ESD damage can range from subtle performance degradation to complete device failure. Precision integrated circuits may be more susceptible to damage because very small parametric changes could cause the device not to meet its published specifications.

### 11.7 Glossary

[SLYZ022](#) — *TI Glossary*.

This glossary lists and explains terms, acronyms, and definitions.

## 12 Mechanical, Packaging, and Orderable Information

The following pages include mechanical, packaging, and orderable information. This information is the most current data available for the designated devices. This data is subject to change without notice and revision of this document. For browser-based versions of this data sheet, refer to the left-hand navigation.

**PACKAGING INFORMATION**

Orderable Device	Status (1)	Package Type	Package Drawing	Pins	Package Qty	Eco Plan (2)	Lead/Ball Finish (6)	MSL Peak Temp (3)	Op Temp (°C)	Device Marking (4/5)	Samples
TPS65000TRTERQ1	ACTIVE	WQFN	RTE	16	3000	Green (RoHS & no Sb/Br)	CU NIPDAU	Level-2-260C-1 YEAR	-40 to 105	SJO	<b>Samples</b>

(1) The marketing status values are defined as follows:

**ACTIVE:** Product device recommended for new designs.

**LIFEBUY:** TI has announced that the device will be discontinued, and a lifetime-buy period is in effect.

**NRND:** Not recommended for new designs. Device is in production to support existing customers, but TI does not recommend using this part in a new design.

**PREVIEW:** Device has been announced but is not in production. Samples may or may not be available.

**OBSELETE:** TI has discontinued the production of the device.

(2) **RoHS:** TI defines "RoHS" to mean semiconductor products that are compliant with the current EU RoHS requirements for all 10 RoHS substances, including the requirement that RoHS substance do not exceed 0.1% by weight in homogeneous materials. Where designed to be soldered at high temperatures, "RoHS" products are suitable for use in specified lead-free processes. TI may reference these types of products as "Pb-Free".

**RoHS Exempt:** TI defines "RoHS Exempt" to mean products that contain lead but are compliant with EU RoHS pursuant to a specific EU RoHS exemption.

**Green:** TI defines "Green" to mean the content of Chlorine (Cl) and Bromine (Br) based flame retardants meet JS709B low halogen requirements of <=1000ppm threshold. Antimony trioxide based flame retardants must also meet the <=1000ppm threshold requirement.

(3) MSL, Peak Temp. - The Moisture Sensitivity Level rating according to the JEDEC industry standard classifications, and peak solder temperature.

(4) There may be additional marking, which relates to the logo, the lot trace code information, or the environmental category on the device.

(5) Multiple Device Markings will be inside parentheses. Only one Device Marking contained in parentheses and separated by a "~" will appear on a device. If a line is indented then it is a continuation of the previous line and the two combined represent the entire Device Marking for that device.

(6) Lead/Ball Finish - Orderable Devices may have multiple material finish options. Finish options are separated by a vertical ruled line. Lead/Ball Finish values may wrap to two lines if the finish value exceeds the maximum column width.

**Important Information and Disclaimer:**The information provided on this page represents TI's knowledge and belief as of the date that it is provided. TI bases its knowledge and belief on information provided by third parties, and makes no representation or warranty as to the accuracy of such information. Efforts are underway to better integrate information from third parties. TI has taken and continues to take reasonable steps to provide representative and accurate information but may not have conducted destructive testing or chemical analysis on incoming materials and chemicals. TI and TI suppliers consider certain information to be proprietary, and thus CAS numbers and other limited information may not be available for release.

In no event shall TI's liability arising out of such information exceed the total purchase price of the TI part(s) at issue in this document sold by TI to Customer on an annual basis.

**OTHER QUALIFIED VERSIONS OF TPS65000-Q1 :**



- Catalog: [TPS65000](#)

NOTE: Qualified Version Definitions:

- Catalog - TI's standard catalog product

**TAPE AND REEL INFORMATION**

**QUADRANT ASSIGNMENTS FOR PIN 1 ORIENTATION IN TAPE**


\*All dimensions are nominal

Device	Package Type	Package Drawing	Pins	SPQ	Reel Diameter (mm)	Reel Width W1 (mm)	A0 (mm)	B0 (mm)	K0 (mm)	P1 (mm)	W (mm)	Pin1 Quadrant
TPS65000TRTERQ1	WQFN	RTE	16	3000	330.0	12.4	3.3	3.3	1.1	8.0	12.0	Q2

**TAPE AND REEL BOX DIMENSIONS**



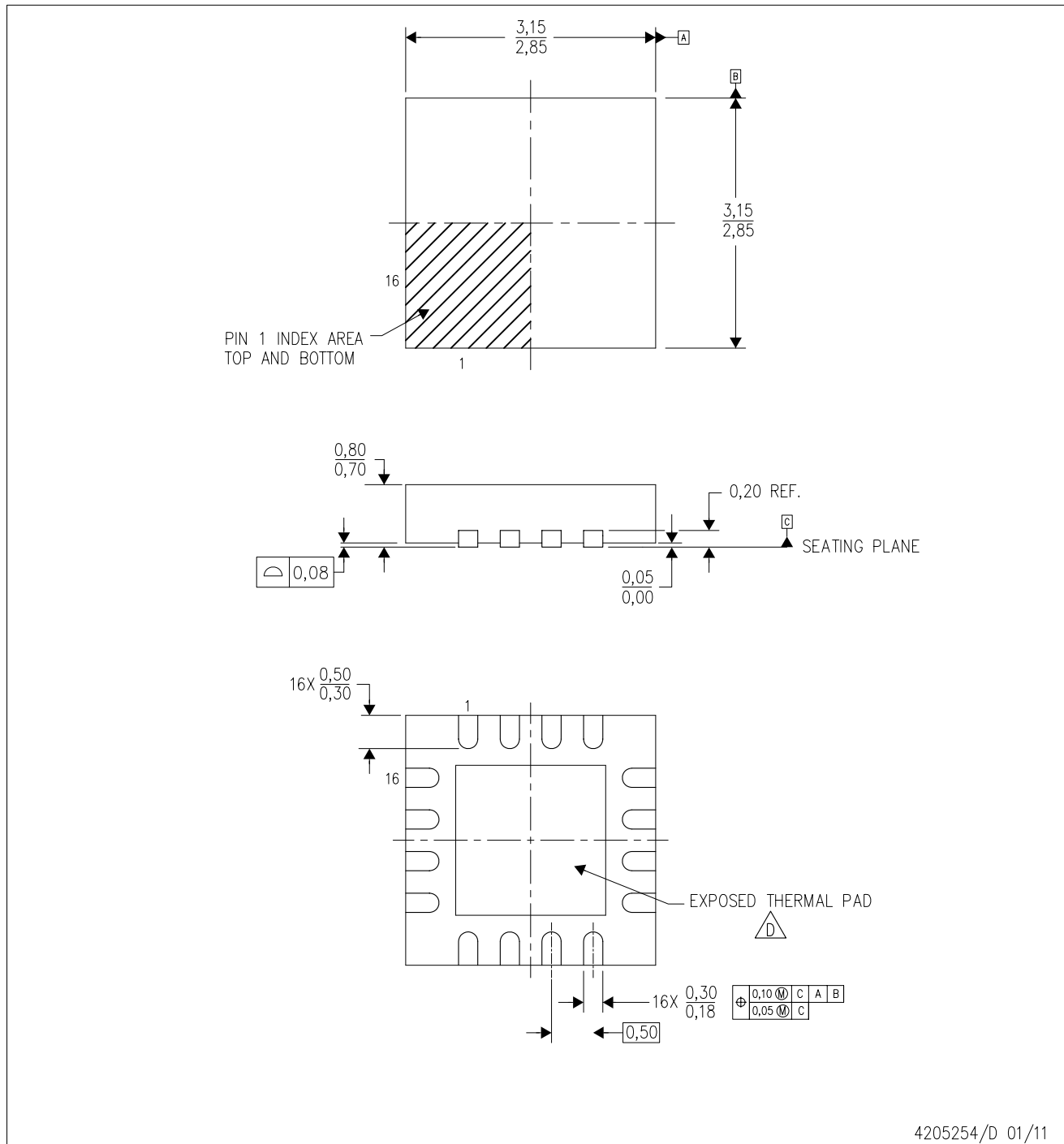
\*All dimensions are nominal

Device	Package Type	Package Drawing	Pins	SPQ	Length (mm)	Width (mm)	Height (mm)
TPS65000TRTERQ1	WQFN	RTE	16	3000	367.0	367.0	35.0


# MECHANICAL DATA

RTE (S-PWQFN-N16)

PLASTIC QUAD FLATPACK NO-LEAD



4205254/D 01/11

- NOTES:
- A. All linear dimensions are in millimeters. Dimensioning and tolerancing per ASME Y14.5M-1994.
  - B. This drawing is subject to change without notice.
  - C. Quad Flatpack, No-leads (QFN) package configuration.
  -  The package thermal pad must be soldered to the board for thermal and mechanical performance. See the Product Data Sheet for details regarding the exposed thermal pad dimensions.
  - E. Falls within JEDEC MO-220.

## THERMAL PAD MECHANICAL DATA

RTE (S-PWQFN-N16)

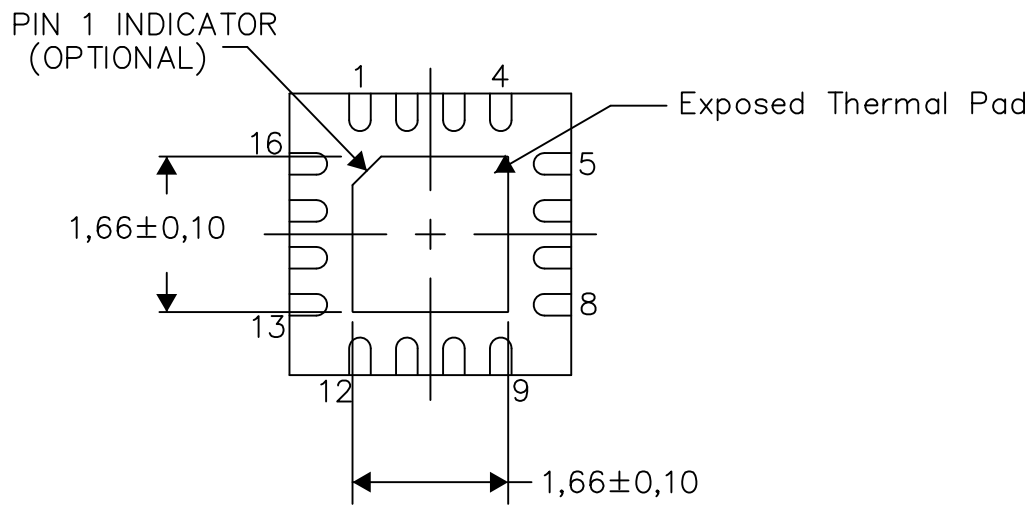
PLASTIC QUAD FLATPACK NO-LEAD

### THERMAL INFORMATION

This package incorporates an exposed thermal pad that is designed to be attached directly to an external heatsink. The thermal pad must be soldered directly to the printed circuit board (PCB). After soldering, the PCB can be used as a heatsink. In addition, through the use of thermal vias, the thermal pad can be attached directly to the appropriate copper plane shown in the electrical schematic for the device, or alternatively, can be attached to a special heatsink structure designed into the PCB. This design optimizes the heat transfer from the integrated circuit (IC).

For information on the Quad Flatpack No-Lead (QFN) package and its advantages, refer to Application Report, QFN/SON PCB Attachment, Texas Instruments Literature No. SLUA271. This document is available at [www.ti.com](http://www.ti.com).

The exposed thermal pad dimensions for this package are shown in the following illustration.



Bottom View

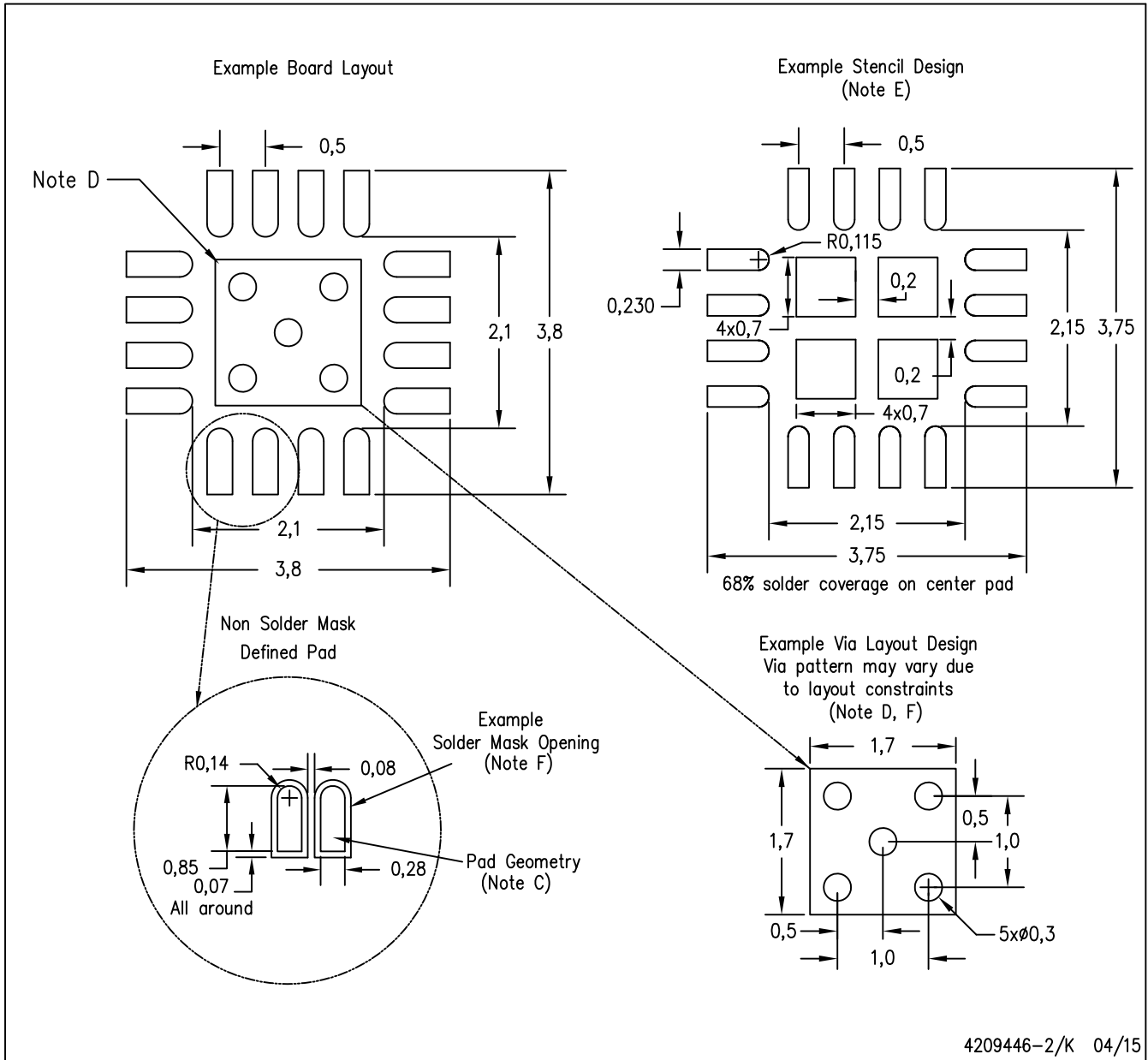
Exposed Thermal Pad Dimensions

4206446-8/U 08/15

NOTE: A. All linear dimensions are in millimeters

RTE (S-PWQFN-N16)

PLASTIC QUAD FLATPACK NO-LEAD



- NOTES:
- All linear dimensions are in millimeters.
  - This drawing is subject to change without notice.
  - Publication IPC-7351 is recommended for alternate designs.
  - This package is designed to be soldered to a thermal pad on the board. Refer to Application Note, Quad Flat-Pack Packages, Texas Instruments Literature No. SLUA271, and also the Product Data Sheets for specific thermal information, via requirements, and recommended board layout. These documents are available at [www.ti.com](http://www.ti.com) <<http://www.ti.com>>.
  - Laser cutting apertures with trapezoidal walls and also rounding corners will offer better paste release. Customers should contact their board assembly site for stencil design recommendations. Refer to IPC 7525 for stencil design considerations.
  - Customers should contact their board fabrication site for minimum solder mask web tolerances between signal pads.

## IMPORTANT NOTICE AND DISCLAIMER

TI PROVIDES TECHNICAL AND RELIABILITY DATA (INCLUDING DATASHEETS), DESIGN RESOURCES (INCLUDING REFERENCE DESIGNS), APPLICATION OR OTHER DESIGN ADVICE, WEB TOOLS, SAFETY INFORMATION, AND OTHER RESOURCES "AS IS" AND WITH ALL FAULTS, AND DISCLAIMS ALL WARRANTIES, EXPRESS AND IMPLIED, INCLUDING WITHOUT LIMITATION ANY IMPLIED WARRANTIES OF MERCHANTABILITY, FITNESS FOR A PARTICULAR PURPOSE OR NON-INFRINGEMENT OF THIRD PARTY INTELLECTUAL PROPERTY RIGHTS.

These resources are intended for skilled developers designing with TI products. You are solely responsible for (1) selecting the appropriate TI products for your application, (2) designing, validating and testing your application, and (3) ensuring your application meets applicable standards, and any other safety, security, or other requirements. These resources are subject to change without notice. TI grants you permission to use these resources only for development of an application that uses the TI products described in the resource. Other reproduction and display of these resources is prohibited. No license is granted to any other TI intellectual property right or to any third party intellectual property right. TI disclaims responsibility for, and you will fully indemnify TI and its representatives against, any claims, damages, costs, losses, and liabilities arising out of your use of these resources.

TI's products are provided subject to TI's Terms of Sale ([www.ti.com/legal/termsofsale.html](http://www.ti.com/legal/termsofsale.html)) or other applicable terms available either on [ti.com](http://ti.com) or provided in conjunction with such TI products. TI's provision of these resources does not expand or otherwise alter TI's applicable warranties or warranty disclaimers for TI products.

Mailing Address: Texas Instruments, Post Office Box 655303, Dallas, Texas 75265  
Copyright © 2019, Texas Instruments Incorporated