



## LTPS-LCD BIAS POWER SUPPLY, TRIPLE CHARGE PUMP

### FEATURES

- Complete LTPS-LCD Bias Solution
- Triple Output Charge Pump Providing  $V_{CC}$  at 16 mA,  $V_{DD}$  at 2 mA,  $V_{SS}$  at 1 mA
- 2.4 V to 5.5 V Input Voltage Range
- Fixed Output Voltages of 3.3 V, 7.5 V, -2.7 V or 5.0 V, 9.0 V, -3.0 V
- 50  $\mu$ A Typical Quiescent Current
- Less Than 1  $\mu$ A Shutdown Current
- Ultra-Low Ripple ( $V_{CC} = 5$  mV, Typical at 5 mA)
- Autonomous Boost for  $V_{CC}$  Supply
- 1.5% Accuracy on Fixed  $V_{CC}$  Output Voltage
- Sequential Power Control
- 24-Pin QFN Package (4 x 4)

### APPLICATIONS

- Small Form LTPS-LCD Displays
- PDAs, Pocket PCs
- Smart Phones

### DESCRIPTION

The TPS65110/11 is a very compact power supply solution providing the three voltages required by many LTPS LCD displays.

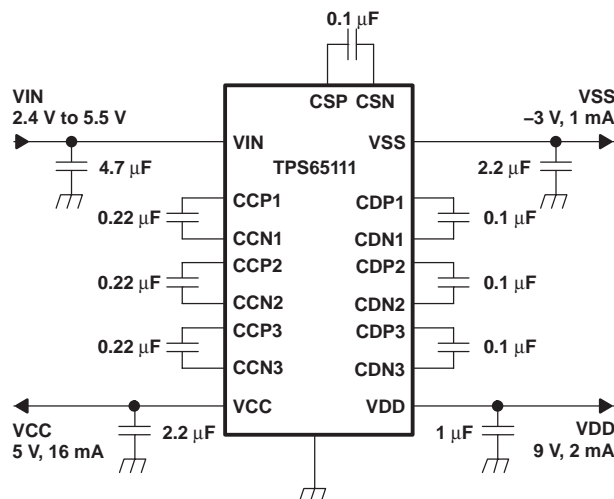
All three regulated outputs are generated using a charge pump topology.

The  $V_{CC}$  charge pump provides precise, high efficiency, and very low ripple dc/dc conversion for the LCD analog power. The  $V_{CC}$  boost ratio (x1.0, x1.33, x1.5, and x2.0) is automatically set based on input and output voltage conditions. The  $V_{CC}$  output assures 16 mA of current by using three 0.22- $\mu$ F flying capacitors. If the required output current is smaller, smaller capacitors can be applied.

The  $V_{DD}$  charge pump provides a higher positive voltage, and the  $V_{SS}$  charge pump provides the negative output voltage. Power up/down sequences are internally set and are secured even in cases of sudden and abnormal  $V_{IN}$  drop.

One of the most significant features of the TPS65110/11 is the ultra-low output voltage ripple, as the  $V_{CC}$  charge pump achieves 5-mV output ripple voltage.

### APPLICATION CIRCUIT FOR TPS65111



### AVAILABLE OUTPUT VOLTAGE OPTIONS

PART NUMBER	$V_{CC}$	$V_{DD}$	$V_{SS}$	$V_{DD}$ BOOST
TPS65110RGE	3.3 V	7.5 V	-2.7 V	X3
TPS65111RGE	5.0 V	9.0 V	-3.0 V	X2

- (1) The RGE package is available in tape and reel.  
Add R suffix (RGER) to order quantities of 3000 parts.



Please be aware that an important notice concerning availability, standard warranty, and use in critical applications of Texas Instruments semiconductor products and disclaimers thereto appears at the end of this data sheet.



These devices have limited built-in ESD protection. The leads should be shorted together or the device placed in conductive foam during storage or handling to prevent electrostatic damage to the MOS gates.

## ABSOLUTE MAXIMUM RATINGS

over operating free-air temperature range unless otherwise noted<sup>(1)</sup>

	UNIT
Supply voltage at VIN (2)	-0.3 V to 7.0 V
Input voltage at EN, CLK, DATA (2)	-0.3 V to VIN + 0.3 V
Power dissipation (3)	46°C/W
Virtual operation junction temperature, T <sub>J</sub>	-40°C to 125°C
Storage temperature range	-65°C to 150°C
Lead temperature 1,6 mm (1/16 inch) from case for 10 seconds	260°C

(1) Stresses beyond those listed under “absolute maximum ratings” may cause permanent damage to the device. These are stress ratings only, and functional operation of the device at these or any other conditions beyond those indicated under “recommended operating conditions” is not implied. Exposure to absolute-maximum-rated conditions for extended periods may affect device reliability.

(2) All voltage values are with respect to network ground terminal.

(3) The package thermal impedance is calculated in accordance with JESD 51-5.

## CHANNEL PERFORMANCE OVERVIEW

CHANNEL	VCC	VDD	VSS
Output Voltage Control	Regulated	Regulated	Regulated
Boost Ratio	x1; x1.333; x1.5; x2	x2 or x3	x-1
Boost setting	Autonomous Boost	Fixed	Fixed
Power Supply	VIN	VCC	VCC
Output Current	16 mA	2 mA	1 mA
Accuracy	±1.5%	±3%	±3%
Num of Ext CAP	4	4	2

## RECOMMENDED OPERATING CONDITIONS

	MIN	NOM	MAX	UNIT
Input voltage range, VIN	2.4		5.5	V
Main output voltage, V <sub>CC</sub>	3.0		5.2	V
Positive output voltage range, V <sub>DD</sub>	6.5		10	V
Negative output voltage range, V <sub>SS</sub>	-4.5		-2.4	V
VIN input capacitor(C <sub>i</sub> )		4.7		μF
V <sub>CC</sub> output capacitor(C <sub>CO</sub> )		2.2		μF
V <sub>DD</sub> output capacitor(C <sub>DO</sub> )		1.0		μF
V <sub>SS</sub> output capacitor(C <sub>SO</sub> )		2.2		μF
V <sub>CC</sub> flying capacitors(C <sub>C1</sub> , C <sub>C2</sub> , C <sub>C3</sub> )		0.22		μF
V <sub>DD</sub> and V <sub>SS</sub> flying capacitors(C <sub>D1</sub> , C <sub>D2</sub> , C <sub>D3</sub> , C <sub>S</sub> )		0.1		μF
Operating ambient temperature, T <sub>A</sub>	-40		85	°C
Operating junction temperature, T <sub>J</sub>	-40		125	°C

**ELECTRICAL CHARACTERISTICS**

 over recommended free-air temperature, typical at an ambient temperature of 25°C, at  $C_C1=C_C2=C_C3=0.22\ \mu\text{F}$ ,  $C_D1=C_D2=C_D3=C_S=0.1\ \mu\text{F}$ ,  $C_{C0}=C_{S0}=2.2\ \mu\text{F}$ ,  $C_{D0}=1.0\ \mu\text{F}$ ,  $V_I=3.6\ \text{V}$ , and default output voltages (unless otherwise noted)

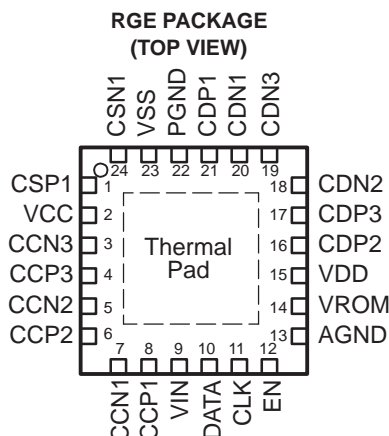
PARAMETER		TEST CONDITIONS	MIN	TYP	MAX	UNIT
<b>DEVICE</b>						
$V_I$	Input voltage range		2.4		5.5	V
$I_Q$	Operating quiescent current	$V_I = 2.8\ \text{V}$ , $EN = V_I$ , $SCLK = DATA = VROM = GND$ , No load		50	120	$\mu\text{A}$
$I_{SD}$	Shutdown supply current	$V_I = 2.8\ \text{V}$ , $EN = GND$ , $SCLK = DATA = VROM = GND$			1	$\mu\text{A}$
$f_{max}$	Maximum operating frequency		320	400	520	kHz
$V_{UVLO}$	Under-voltage lockout threshold	$V_I = 0\ \text{V}$ to $3.6\ \text{V}$	2.1	2.3	2.5	V
		$V_I = 3.6\ \text{V}$ to $0\ \text{V}$	2.0	2.2	2.4	
	Hysteresis		30	100		mV
<b>LOGIC SECTION</b>						
$V_{IH}$	EN/CLK/DATA high level input voltage	$V_I = 2.4\ \text{V}$ to $3.5\ \text{V}$	1.3			V
		$V_I = 3.5\ \text{V}$ to $5.5\ \text{V}$	1.5			
$V_{IL}$	EN/CLK/DATA low level input voltage				0.4	V
$I_{IH} / I_{IL}$	Logic input current	$EN = GND$ or $V_I$		0.01	0.1	$\mu\text{A}$
<b>TPS65110 OUTPUT (<math>V_{CC}</math>, <math>V_{DD}</math>, <math>V_{SS}</math>)</b>						
$V_{CC}$	$V_{CC}$ Output DC voltage range	$V_I = 2.8\ \text{V}$ , $I_{VCC} = 5\ \text{mA}$	3.25	3.3	3.35	V
$I_{VCC}$	$V_{CC}$ Output current	$I_{VDD} = 2\ \text{mA}$ , $I_{VSS} = 1\ \text{mA}$	16			mA
$V_{RIPPLEC}$	$V_{CC}$ Output voltage ripple	$I_{VCC} = 5\ \text{mA}$		5		mV
$V_{REGC}$	$V_{CC}$ Line regulation	$V_I = 2.4\ \text{V}$ to $5.5\ \text{V}$		0.1	0.5	%/V
$L_{REGC}$	$V_{CC}$ Load regulation	$V_I = 2.8\ \text{V}$ , $I_{VCC} = \text{no load to } 10\ \text{mA}$		0.3	1	%
$t_{rC}$	$V_{CC}$ Rise time	10% to 90%, no load		100		$\mu\text{s}$
$t_{fC}$	$V_{CC}$ Fall time	90% to 10%, no load		6		mS
	$V_{CC}$ Efficiency	$V_I$ to $V_{CC}$ , $V_{CC} = 3.3\ \text{V}$ , $I_{VCC} = 1\ \text{mA}$		84%		
		$V_I$ to $V_{CC}$ , $V_{CC} = 3.3\ \text{V}$ , $I_{VCC} = 10\ \text{mA}$		86%		
$V_{DD}$	$V_{DD}$ Output DC voltage range	$V_{CC} = 3.3\ \text{V}$ , $I_{VDD} = 1.0\ \text{mA}$ , $V_{DD}$ boost = x3	7.27	7.5	7.73	V
$I_{VDD}$	$V_{DD}$ Output current	$V_{CC} = 3.3\ \text{V}$	2			mA
$V_{RIPPLED}$	$V_{DD}$ Output voltage ripple	$I_{VDD} = 1\ \text{mA}$		7		mV
$t_{rD}$	$V_{DD}$ Rise time	10% to 90%, no load		1.4		mS
$t_{fD}$	$V_{DD}$ Fall time	90% to 10%, no load		2.4		mS
	$V_{DD}$ Efficiency	$V_{CC}$ to $V_{DD}$ , $V_{CC} = 3.3\ \text{V}$ , $V_{DD} = 7.5\ \text{V}$ , $I_{VDD} = 0.2\ \text{mA}$		70%		
		$V_{CC}$ to $V_{DD}$ , $V_{CC} = 3.3\ \text{V}$ , $V_{DD} = 7.5\ \text{V}$ , $I_{VDD} = 2\ \text{mA}$		70%		
$V_{SS}$	$V_{SS}$ Output DC voltage range	$V_{CC} = 3.3\ \text{V}$ , $I_{VSS} = 0.2\ \text{mA}$	-2.78	-2.7	-2.62	V
$I_{VSS}$	$V_{SS}$ Output current	$V_{CC} = 3.3\ \text{V}$	1			mA
$V_{RIPPLES}$	$V_{SS}$ Output voltage ripple	$I_{VSS} = 0.2\ \text{mA}$		3		mV
$t_{rS}$	$V_{SS}$ Rise time	10% to 90%, no load		220		$\mu\text{s}$
$t_{fS}$	$V_{SS}$ Fall time	90% to 10%, no load		2		mS
	$V_{SS}$ Efficiency	$V_{CC}$ to $V_{SS}$ , $V_{CC} = 3.3\ \text{V}$ , $V_{SS} = -2.8\ \text{V}$ , $I_{VSS} = 0.2\ \text{mA}$		82%		
		$V_{CC}$ to $V_{SS}$ , $V_{CC} = 3.3\ \text{V}$ , $V_{SS} = -2.8\ \text{V}$ , $I_{VSS} = 1\ \text{mA}$		82%		

**ELECTRICAL CHARACTERISTICS Continued**

over recommended free-air temperature, typical at an ambient temperature of 25°C, at  $C_C1=C_C2=C_C3=0.22\ \mu\text{F}$ ,  $C_D1=C_D2=C_D3=C_S=0.1\ \mu\text{F}$ ,  $C_{CO}=C_{SO}=2.2\ \mu\text{F}$ ,  $C_{DO}=1.0\ \mu\text{F}$ ,  $V_I=3.6\ \text{V}$ , and default output voltages (unless otherwise noted)

TPS65111 OUTPUT ( $V_{CC}$ , $V_{DD}$ , $V_{SS}$ )						
$V_{CC}$	$V_{CC}$ Output dc voltage range	$V_I = 3.6\ \text{V}$ , $I_{VCC} = 5\ \text{mA}$	4.925	5.0	5.075	V
$I_{VCC}$	Maximum $V_{CC}$ output current	$I_{VDD} = 2\ \text{mA}$ , $I_{VSS} = 1\ \text{mA}$	16			mA
$V_{RIPPLEC}$	$V_{CC}$ Output voltage ripple	$I_{VCC} = 5\ \text{mA}$		5		mV
$V_{REGC}$	$V_{CC}$ Line regulation	$V_I = 2.7\ \text{V}$ to $5.5\ \text{V}$		0.1	0.5	%/V
$L_{REGC}$	$V_{CC}$ Load regulation	$V_I = 3.6\ \text{V}$ , $I_{VCC} = \text{no load to } 10\ \text{mA}$		0.3	1	%
$t_{rC}$	$V_{CC}$ Rise time	10% to 90%, no load		200		$\mu\text{S}$
$t_{fC}$	$V_{CC}$ Fall time	90% to 10%, no load		9		mS
	$V_{CC}$ Efficiency	$V_I$ to $V_{CC}$ , $V_{CC} = 5.0\ \text{V}$ , $I_{VCC} = 1\ \text{mA}$		88%		
		$V_I$ to $V_{CC}$ , $V_{CC} = 5.0\ \text{V}$ , $I_{VCC} = 10\ \text{mA}$		90%		
$V_{DD}$	$V_{DD}$ Output dc voltage range	$V_{CC} = 5.0\ \text{V}$ , $I_{VDD} = 1.0\ \text{mA}$ , $V_{DD}$ boost = x2	8.73	9.0	9.27	V
$I_{VDD}$	Maximum $V_{DD}$ output current	$V_{CC} = 5.0\ \text{V}$	2			mA
$V_{RIPPLED}$	$V_{DD}$ Output voltage ripple	$I_{VDD} = 1\ \text{mA}$		8		mV
$t_{rD}$	$V_{DD}$ Rise time	10% to 90%, no load		1.8		mS
$t_{fD}$	$V_{DD}$ Fall time	90% to 10%, no load		3		mS
	$V_{DD}$ Efficiency	$V_{CC}$ to $V_{DD}$ , $V_{CC} = 5.0\ \text{V}$ , $V_{DD} = 9.0\ \text{V}$ , $I_{VDD} = 0.2\ \text{mA}$		87%		
		$V_{CC}$ to $V_{DD}$ , $V_{CC} = 5.0\ \text{V}$ , $V_{DD} = 9.0\ \text{V}$ , $I_{VDD} = 2\ \text{mA}$		88%		
$V_{SS}$	$V_{SS}$ Output dc voltage range	$V_{CC} = 5.0\ \text{V}$ , $I_{VSS} = 0.2\ \text{mA}$	-3.09	-3.0	-2.91	V
$I_{VSS}$	Maximum $V_{SS}$ output current	$V_{CC} = 5.0\ \text{V}$	1			mA
$V_{RIPPLES}$	$V_{SS}$ Output voltage ripple	$I_{VSS} = 0.2\ \text{mA}$		3		mV
$t_{rS}$	$V_{SS}$ Rise time	10% to 90%, no load		250		$\mu\text{S}$
$t_{fS}$	$V_{SS}$ Fall time	90% to 10%, no load		2.4		mS
	$V_{SS}$ Efficiency	$V_{CC}$ to $V_{SS}$ , $V_{CC} = 5.0\ \text{V}$ , $V_{SS} = -3.0\ \text{V}$ , $I_{VSS} = 0.2\ \text{mA}$		58%		
		$V_{CC}$ to $V_{SS}$ , $V_{CC} = 5.0\ \text{V}$ , $V_{SS} = -3.0\ \text{V}$ , $I_{VSS} = 1\ \text{mA}$		58%		

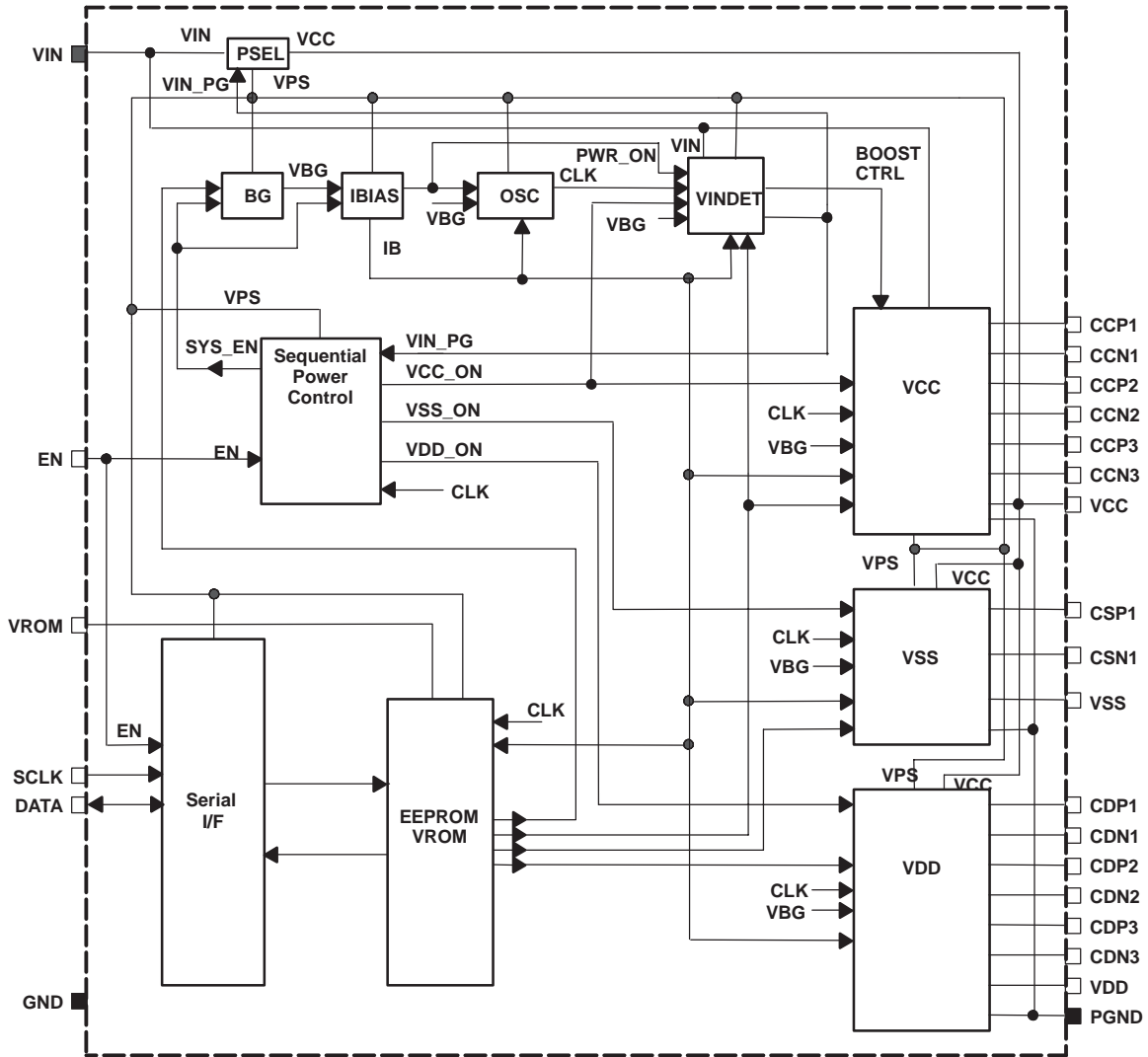
## PIN ASSIGNMENTS



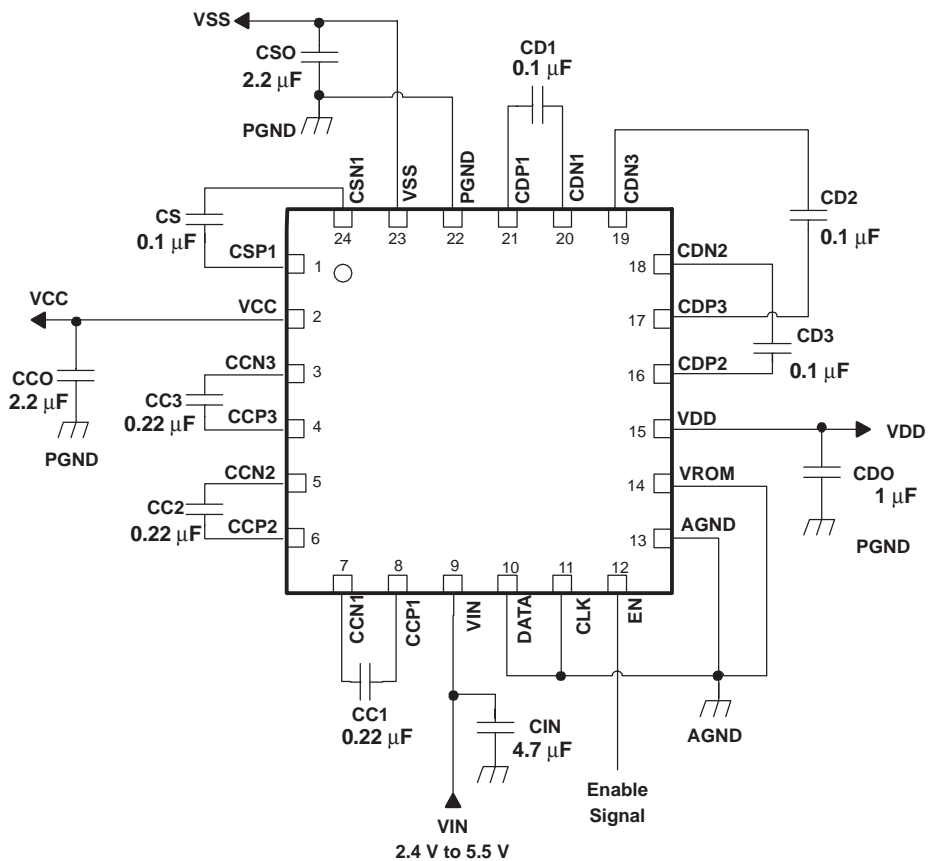
### Terminal Functions

TERMINAL		DESCRIPTION
NO.	NAME	
1	CSP1	VSS Positive terminal for CS
2	VCC	VCC Charge pump output
3	CCN3	VCC Negative terminal for CC3
4	CCP3	VCC Positive terminal for CC3
5	CCN2	VCC Negative terminal for CC2
6	CCP2	VCC Positive terminal for CC2
7	CCN1	VCC Negative terminal for CC1
8	CCP1	VCC Positive terminal for CC1
9	VIN	Input supply voltage
10	DATA	I <sup>2</sup> C serial data input
11	CLK	I <sup>2</sup> C serial clock input
12	EN	Power on/off enable logic input (H : active / L : shutdown)
13	AGND	Analog GND
14	VROM	EEPROM power supply
15	VDD	VDD Charge pump output
16	CDP2	VDD Positive terminal for CD2
17	CDP3	VDD Positive terminal for CD3
18	CDN2	VDD Negative terminal for CD2
19	CDN3	VDD Negative terminal for CD3
20	CDN1	VDD Negative terminal for CD1
21	CDP1	VDD Positive terminal for CD1
22	PGND	Power GND
23	VSS	VSS Charge pump output
24	CSN1	VSS Negative terminal for CS

FUNCTIONAL BLOCK DIAGRAM



**TYPICAL APPLICATION CIRCUIT**



TYPICAL CHARACTERISTICS

VCC EFFICIENCY

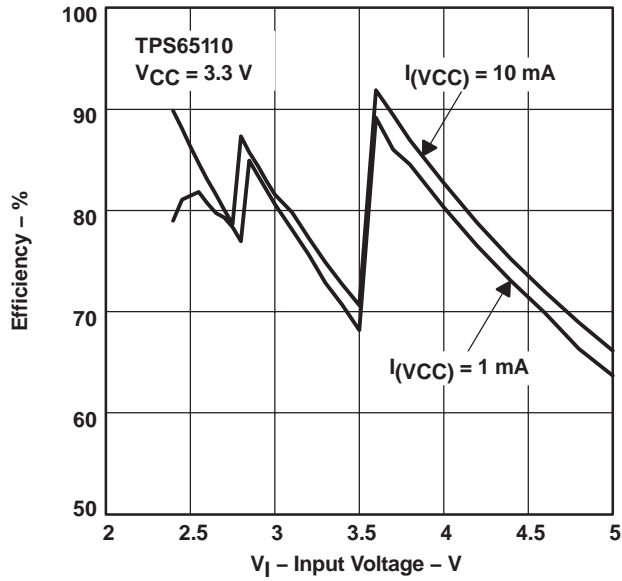


Figure 1

VCC EFFICIENCY

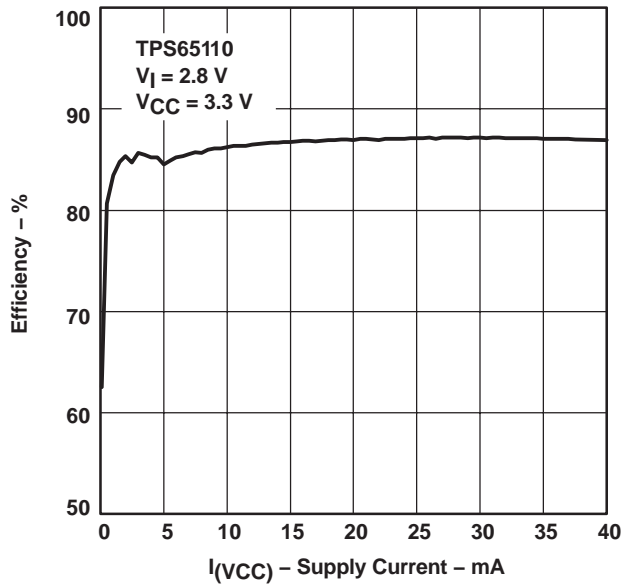


Figure 2

VCC LOAD REGULATION

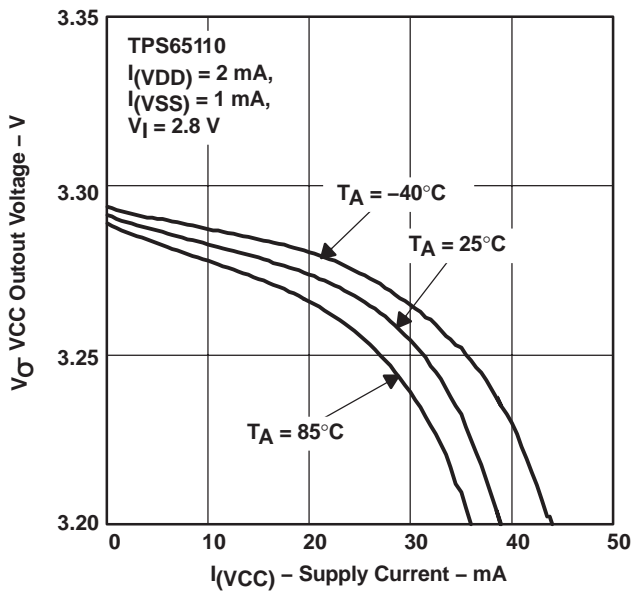


Figure 3

VCC LOAD REGULATION

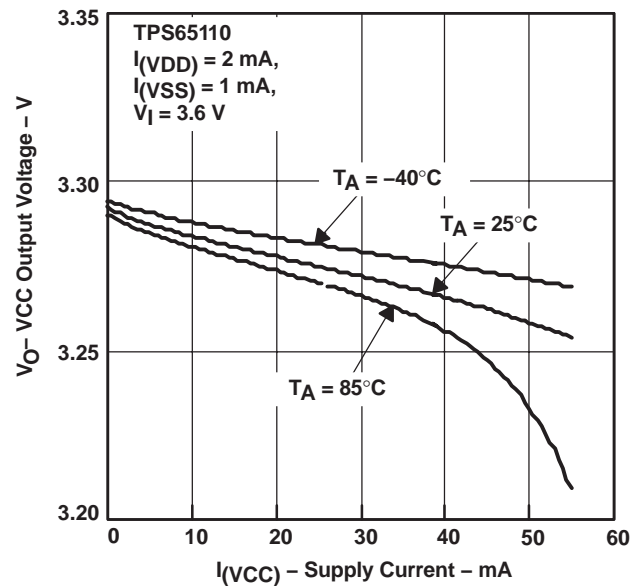


Figure 4



VDD LOAD REGULATION

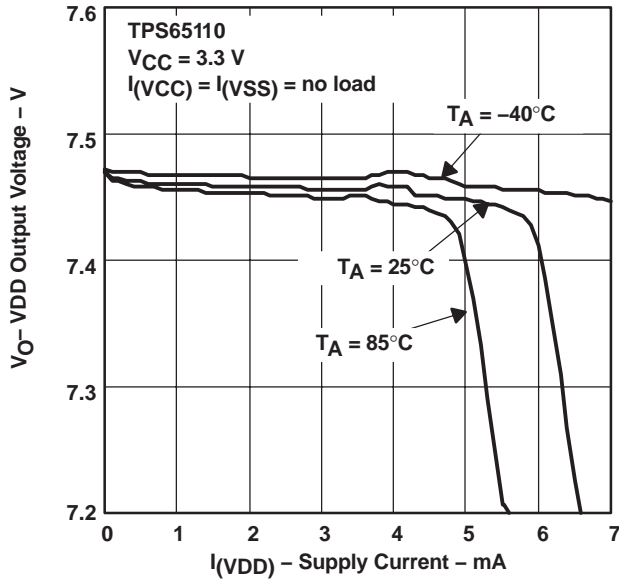


Figure 5

VSS LOAD REGULATION

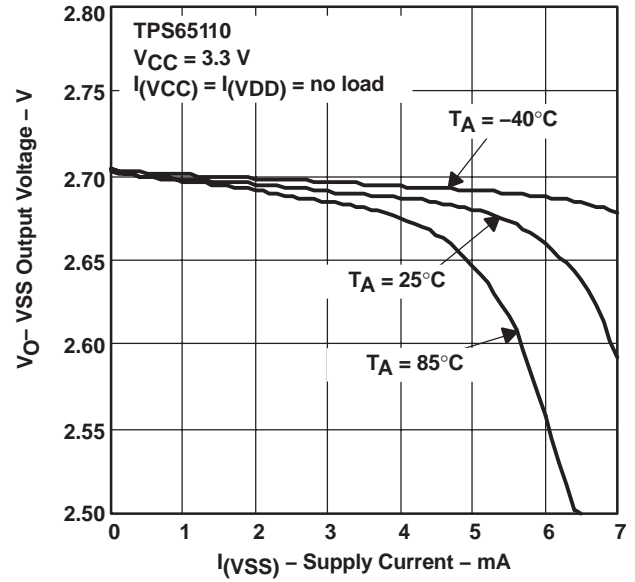


Figure 6

MAXIMUM SWITCHING FREQUENCY  
vs  
INPUT VOLTAGE

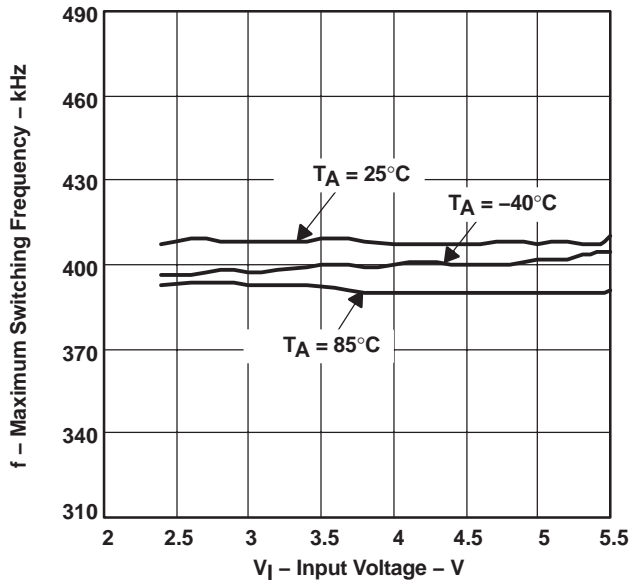


Figure 7

QUIESCENT CURRENT  
vs  
INPUT VOLTAGE

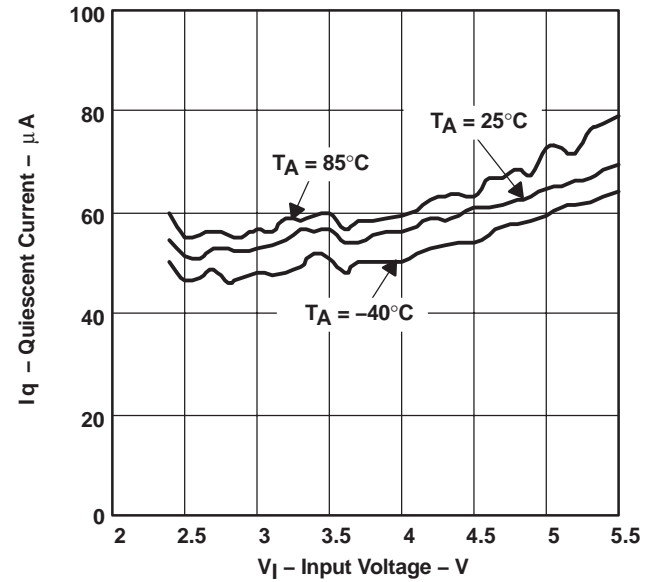
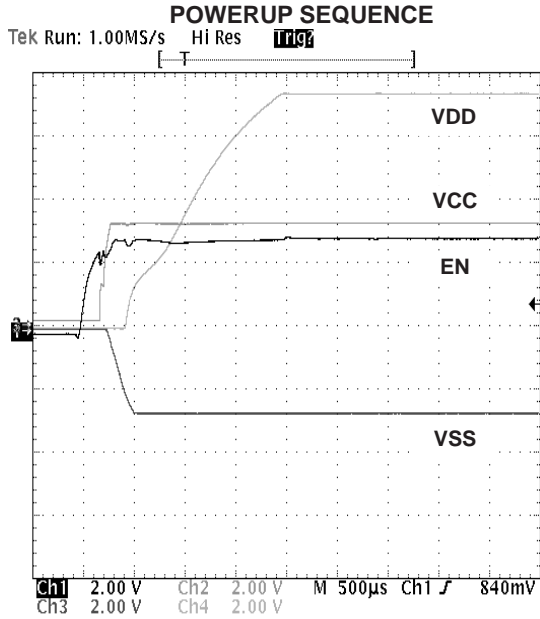
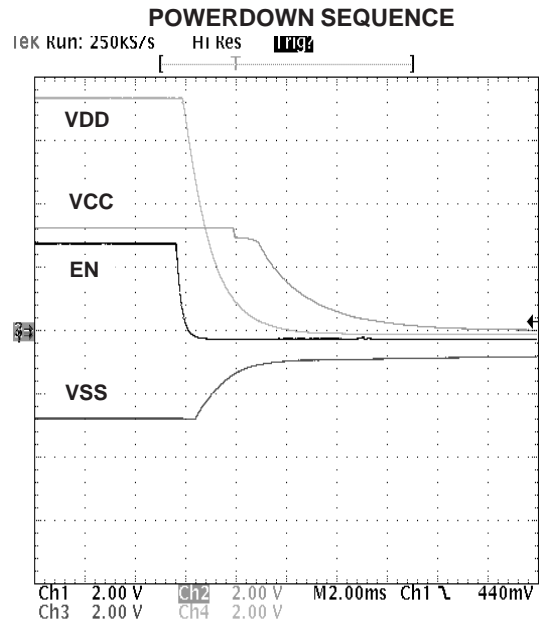


Figure 8



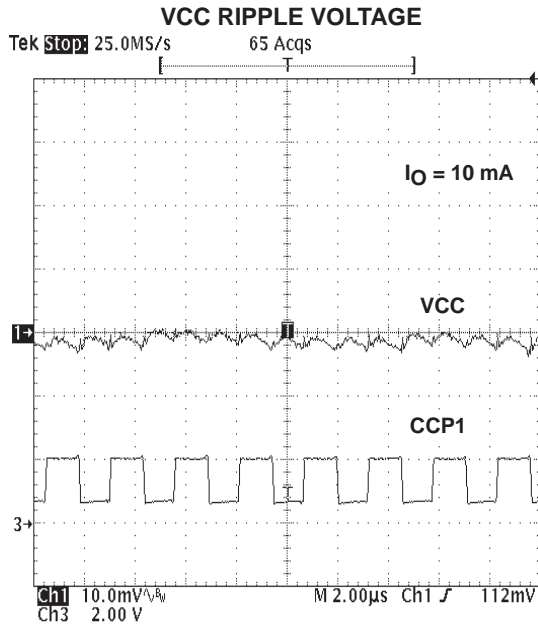
( $V_I = 3.0\text{ V}$ ,  $V_{CC} = 3.3\text{ V}$ ,  $V_{DD} = 7.5\text{ V}$ ,  $V_{SS} = -2.7\text{ V}$ ,  $V_{DDBOOST} = \times 3$ ,  
No load,  $C_{C1/2/3} = 0.22\text{ }\mu\text{F}$ ,  $C_{CO} = 2.2\text{ }\mu\text{F}$ )

Figure 9



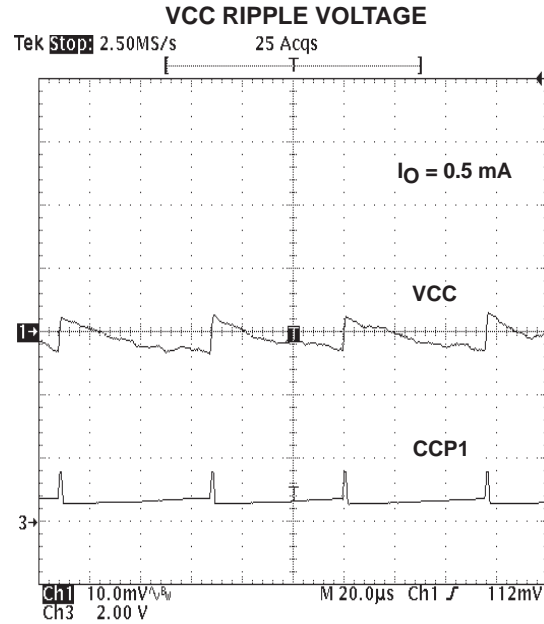
( $V_I = 3.0\text{ V}$ ,  $V_{CC} = 3.3\text{ V}$ ,  $V_{DD} = 7.5\text{ V}$ ,  $V_{SS} = -2.7\text{ V}$ ,  $V_{DDBOOST} = \times 3$ ,  
No load,  $C_{C1/2/3} = 0.22\text{ }\mu\text{F}$ ,  $C_{CO} = 2.2\text{ }\mu\text{F}$ )

Figure 10



( $V_I = 2.7\text{ V}$ ,  $V_{CC} = 3.3\text{ V}$ ,  $T_A = 25^\circ\text{C}$ ,  $C_{C1/2/3} = 0.1\text{ }\mu\text{F}$ ,  
 $C_{CO} = 2.2\text{ }\mu\text{F}$ )

Figure 11



( $V_I = 2.7\text{ V}$ ,  $V_{CC} = 3.3\text{ V}$ ,  $T_A = 25^\circ\text{C}$ ,  $C_{C1/2/3} = 0.1\text{ }\mu\text{F}$ ,  
 $C_{CO} = 2.2\text{ }\mu\text{F}$ )

Figure 12

## DETAILED DESCRIPTION

### VCC Charge Pump

The VCC output provides a very high efficiency, regulated, dc/dc conversion through a wide input range by supporting x1.0, x1.33, x1.5, and x2.0 boost charge pump operation. TPS65110 automatically sets the boost ratio based on input and output voltage conditions. For example, when the input voltage from a battery becomes lower, the device automatically increases the boost ratio from x1.33 to x1.5. In a fixed input voltage mode, the device provides for higher conversion efficiency; for example, in the case of 2.8 V to 3.3 V conversion or 2.8 V to 5.0 V conversion. In this case, the VCC charge pump can enter into a *SKIP* mode operation in order to maintain the efficiency of a low load condition. The highest frequency of the charge pump is 400 kHz (typ). The charge pump operates by using higher frequencies in the heavier load current conditions, and decreases the frequency in the lighter load conditions. Maximum output current and operating frequency characteristics are dependent on external conditions such as the flying capacitor, output capacitor, and ambient temperature range.

VCC[V]	VIN [V]																										
	2.4	2.5	2.6	2.7	2.8	2.9	3.0	3.1	3.2	3.3	3.4	3.5	3.6	3.7	3.8	3.9	4.0	4.1	4.2	4.4	4.6	4.8	5.0	5.2	5.4	5.5	
3.3	x1.5			x1.33									x1														
5.0	NA			x2									x1.5				x1.33							x1			

NOTE: Gray portion is HYSTERESIS.

Of importance, the VCC charge pump is also used as the power source for the VDD and VSS charge pumps. Therefore, consider a case where the VDD charge pump's output current is required to be 2mA, and the boost ratio is x3. With this condition, the required (additional) current for the VCC output is slightly more than 6 mA. If the VSS charge pump output current requirement is 1 mA, then the (additional) required current from VCC is another 1 mA. (Note: the VCC charge pump maintains a minimum of 16-mA output capability in addition to the loads required to support the VDD and VSS charge pumps under the recommended conditions.)

### VDD Charge Pump

The power source for the VDD charge pump is the VCC charge pump. The output voltage and boost ratio of the VDD charge pump are fixed at either a 7.5 V and x3 boost (TPS65110), or a 9.0 V and x2 boost (TPS65111). The topology of this charge pump is *SKIP mode*, and the maximum frequency is 400 kHz. Maximum output current is dependent on the flying capacitors and ambient temperature range (refer to the typical characteristics).

### VSS Charge Pump

The VSS charge pump is powered from the VCC charge pump and has a fixed output voltage of either -2.7 V (TPS65110) or -3.0 V (TPS65111). The boost ratio for the VSS charge pump is fixed at x-1. The operation topology is *SKIP mode* and has a maximum frequency of 400 kHz. Maximum output current is dependent on the flying capacitor and ambient temperature range (refer to the typical characteristics).

### UVLO – Under Voltage Lockout

The UVLO provides for the save operation of the device. It prevents the converter from turning on when the voltage on the VIN pin is less than the threshold voltage of UVLO. Note that although the input voltage range of the product is shown to be down to 2.4 V, the maximum threshold of the UVLO for a rising VIN is 2.5 V. Therefore, to operate down to 2.4 V, the device must first be powered by a source of more than 2.5 V.

### Enable

Low logic on the EN pin forces the TPS6511x into shutdown mode. In shutdown, the power switch, drivers, voltage reference, oscillator, and all other functions are turned off. The supply current is reduced to less than 1  $\mu$ A in shutdown mode.

### Power-Up and Power-Down Sequencing

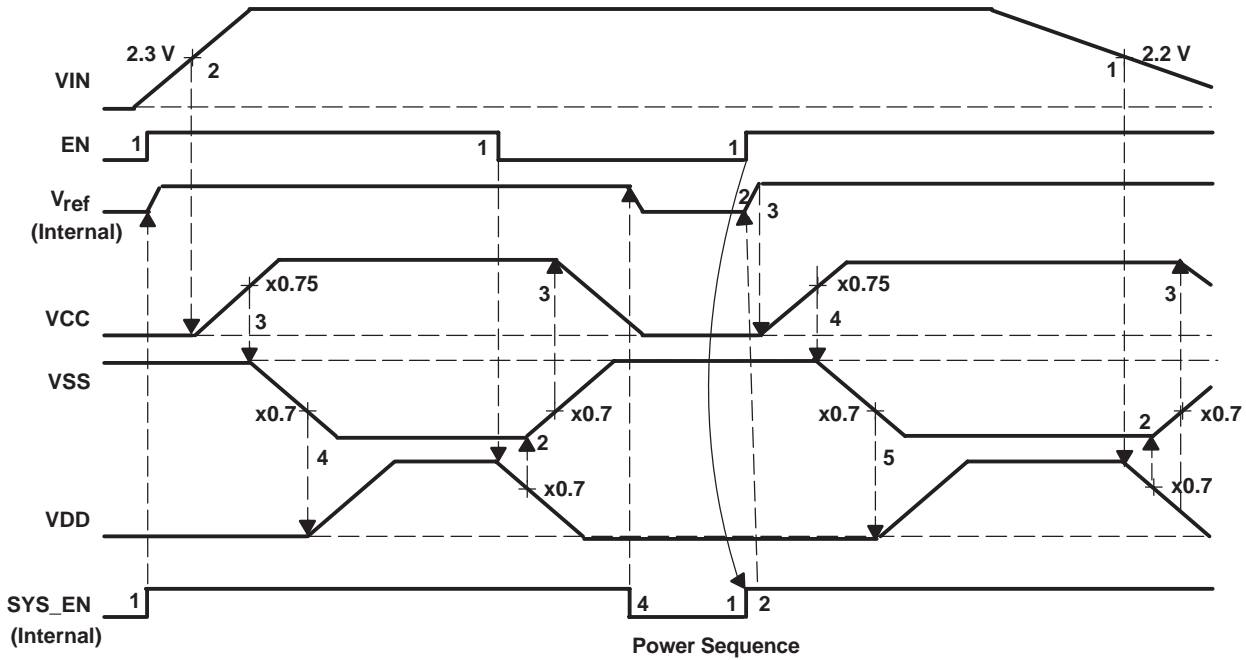
The TPS65110/11 controls power-up and power-down sequence through an enable pin. This signal should be terminated and not be left floating to prevent miss-operation.

### Power-Up Sequence

When the enable pin EN is pulled high, the device starts its power on sequencing. The VCC output starts up first. When the output voltage VCC has reached 75% of its nominal value, the VSS output comes up next. When VSS has reached 75% of the nominal value, the positive output VDD finally comes up.

### Power-Down Sequencing

When the enable pin EN is pulled low, the device starts its power-down sequencing. The VDD output goes down first. When the output voltage VDD has reached 70% of its nominal value, the VSS output goes down next. When VSS has reached 70% of the nominal value, the positive output VCC finally goes down. The TPS6511x ensures this power-down sequence even in the case of a sudden  $V_I$  drop.



**PACKAGING INFORMATION**

Orderable Device	Status <sup>(1)</sup>	Package Type	Package Drawing	Pins	Package Qty	Eco Plan <sup>(2)</sup>	Lead/Ball Finish	MSL Peak Temp <sup>(3)</sup>
TPS65110RGE	ACTIVE	QFN	RGE	24	92	TBD	CU SN	Level-2-235C-1 YEAR
TPS65110RGER	ACTIVE	QFN	RGE	24	3000	TBD	CU SN	Level-2-235C-1 YEAR
TPS65110RGERG4	ACTIVE	QFN	RGE	24	3000	Green (RoHS & no Sb/Br)	CU NIPDAU	Level-2-260C-1 YEAR
TPS65111RGE	ACTIVE	QFN	RGE	24	150	TBD	CU SN	Level-2-235C-1 YEAR
TPS65111RGER	ACTIVE	QFN	RGE	24	3000	TBD	CU SN	Level-2-235C-1 YEAR

<sup>(1)</sup> The marketing status values are defined as follows:

**ACTIVE:** Product device recommended for new designs.

**LIFEBUY:** TI has announced that the device will be discontinued, and a lifetime-buy period is in effect.

**NRND:** Not recommended for new designs. Device is in production to support existing customers, but TI does not recommend using this part in a new design.

**PREVIEW:** Device has been announced but is not in production. Samples may or may not be available.

**OBSOLETE:** TI has discontinued the production of the device.

<sup>(2)</sup> Eco Plan - The planned eco-friendly classification: Pb-Free (RoHS) or Green (RoHS & no Sb/Br) - please check <http://www.ti.com/productcontent> for the latest availability information and additional product content details.

**TBD:** The Pb-Free/Green conversion plan has not been defined.

**Pb-Free (RoHS):** TI's terms "Lead-Free" or "Pb-Free" mean semiconductor products that are compatible with the current RoHS requirements for all 6 substances, including the requirement that lead not exceed 0.1% by weight in homogeneous materials. Where designed to be soldered at high temperatures, TI Pb-Free products are suitable for use in specified lead-free processes.

**Green (RoHS & no Sb/Br):** TI defines "Green" to mean Pb-Free (RoHS compatible), and free of Bromine (Br) and Antimony (Sb) based flame retardants (Br or Sb do not exceed 0.1% by weight in homogeneous material)

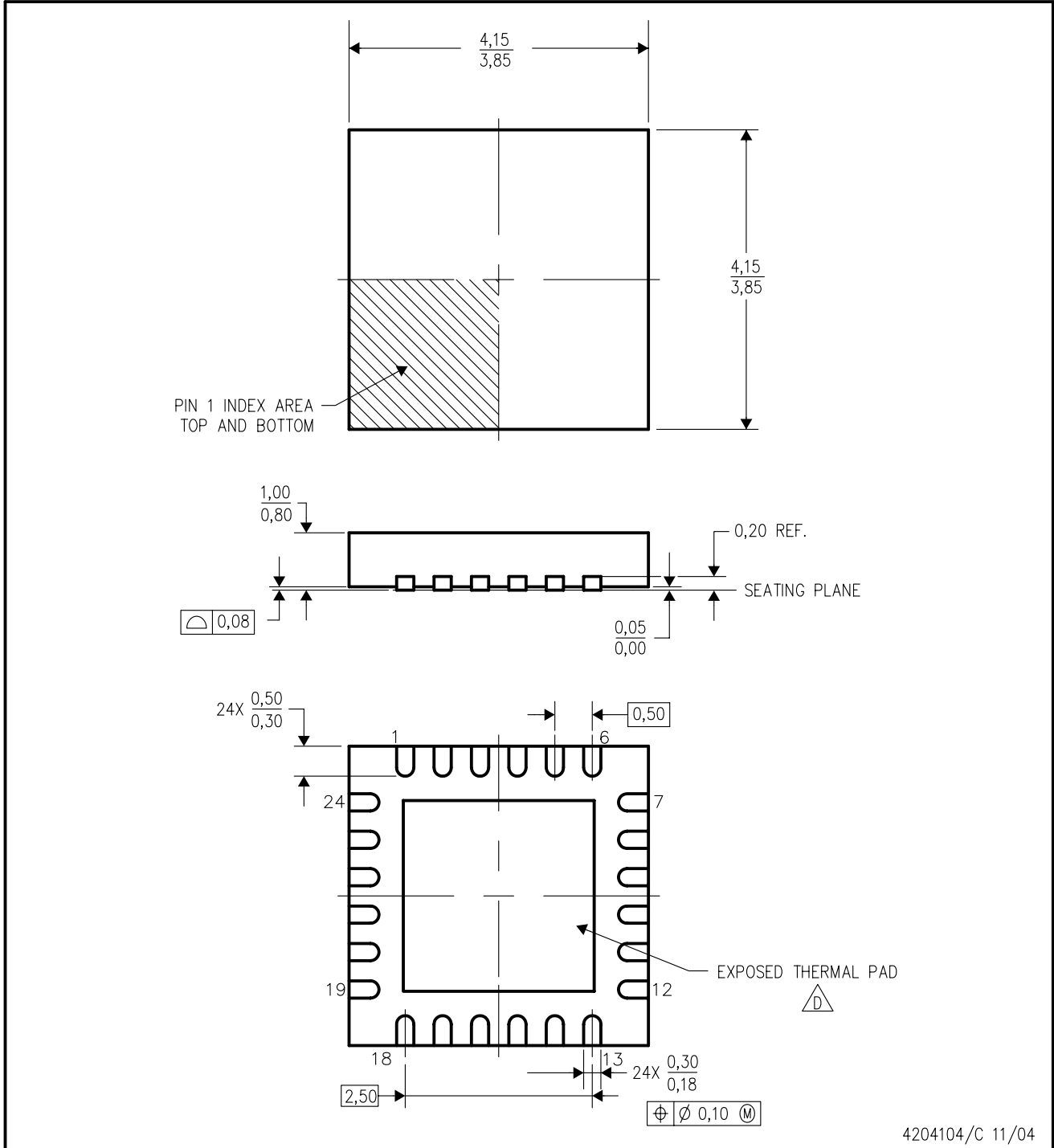
<sup>(3)</sup> MSL, Peak Temp. -- The Moisture Sensitivity Level rating according to the JEDEC industry standard classifications, and peak solder temperature.

**Important Information and Disclaimer:**The information provided on this page represents TI's knowledge and belief as of the date that it is provided. TI bases its knowledge and belief on information provided by third parties, and makes no representation or warranty as to the accuracy of such information. Efforts are underway to better integrate information from third parties. TI has taken and continues to take reasonable steps to provide representative and accurate information but may not have conducted destructive testing or chemical analysis on incoming materials and chemicals. TI and TI suppliers consider certain information to be proprietary, and thus CAS numbers and other limited information may not be available for release.

In no event shall TI's liability arising out of such information exceed the total purchase price of the TI part(s) at issue in this document sold by TI to Customer on an annual basis.

RGE (S-PQFP-N24)

PLASTIC QUAD FLATPACK



- NOTES:
- A. All linear dimensions are in millimeters. Dimensioning and tolerancing per ASME Y14.5M-1994.
  - B. This drawing is subject to change without notice.
  - C. Quad Flatpack, No-Leads (QFN) package configuration.
  - △ The package thermal pad must be soldered to the board for thermal and mechanical performance. See the Product Data Sheet for details regarding the exposed thermal pad dimensions.
  - E. Falls within JEDEC MO-220.

## IMPORTANT NOTICE

Texas Instruments Incorporated and its subsidiaries (TI) reserve the right to make corrections, modifications, enhancements, improvements, and other changes to its products and services at any time and to discontinue any product or service without notice. Customers should obtain the latest relevant information before placing orders and should verify that such information is current and complete. All products are sold subject to TI's terms and conditions of sale supplied at the time of order acknowledgment.

TI warrants performance of its hardware products to the specifications applicable at the time of sale in accordance with TI's standard warranty. Testing and other quality control techniques are used to the extent TI deems necessary to support this warranty. Except where mandated by government requirements, testing of all parameters of each product is not necessarily performed.

TI assumes no liability for applications assistance or customer product design. Customers are responsible for their products and applications using TI components. To minimize the risks associated with customer products and applications, customers should provide adequate design and operating safeguards.

TI does not warrant or represent that any license, either express or implied, is granted under any TI patent right, copyright, mask work right, or other TI intellectual property right relating to any combination, machine, or process in which TI products or services are used. Information published by TI regarding third-party products or services does not constitute a license from TI to use such products or services or a warranty or endorsement thereof. Use of such information may require a license from a third party under the patents or other intellectual property of the third party, or a license from TI under the patents or other intellectual property of TI.

Reproduction of information in TI data books or data sheets is permissible only if reproduction is without alteration and is accompanied by all associated warranties, conditions, limitations, and notices. Reproduction of this information with alteration is an unfair and deceptive business practice. TI is not responsible or liable for such altered documentation.

Resale of TI products or services with statements different from or beyond the parameters stated by TI for that product or service voids all express and any implied warranties for the associated TI product or service and is an unfair and deceptive business practice. TI is not responsible or liable for any such statements.

Following are URLs where you can obtain information on other Texas Instruments products and application solutions:

<b>Products</b>		<b>Applications</b>	
Amplifiers	<a href="http://amplifier.ti.com">amplifier.ti.com</a>	Audio	<a href="http://www.ti.com/audio">www.ti.com/audio</a>
Data Converters	<a href="http://dataconverter.ti.com">dataconverter.ti.com</a>	Automotive	<a href="http://www.ti.com/automotive">www.ti.com/automotive</a>
DSP	<a href="http://dsp.ti.com">dsp.ti.com</a>	Broadband	<a href="http://www.ti.com/broadband">www.ti.com/broadband</a>
Interface	<a href="http://interface.ti.com">interface.ti.com</a>	Digital Control	<a href="http://www.ti.com/digitalcontrol">www.ti.com/digitalcontrol</a>
Logic	<a href="http://logic.ti.com">logic.ti.com</a>	Military	<a href="http://www.ti.com/military">www.ti.com/military</a>
Power Mgmt	<a href="http://power.ti.com">power.ti.com</a>	Optical Networking	<a href="http://www.ti.com/opticalnetwork">www.ti.com/opticalnetwork</a>
Microcontrollers	<a href="http://microcontroller.ti.com">microcontroller.ti.com</a>	Security	<a href="http://www.ti.com/security">www.ti.com/security</a>
		Telephony	<a href="http://www.ti.com/telephony">www.ti.com/telephony</a>
		Video & Imaging	<a href="http://www.ti.com/video">www.ti.com/video</a>
		Wireless	<a href="http://www.ti.com/wireless">www.ti.com/wireless</a>

Mailing Address: Texas Instruments  
Post Office Box 655303 Dallas, Texas 75265