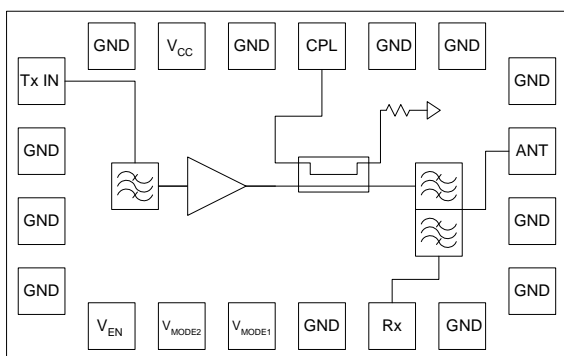


Tritium II PA-Duplexer Module™ CDMA PCS Band

Functional Block Diagram



Product Description

The TQM663029A is a fully matched CDMA PCS band PA-Duplexer module for use in mobile phones and part of TriQuint's Tritium III product family. The module is designed with a focus on size, current consumption and phone layout simplicity. Within a compact area of only 28mm², the module integrates a single-ended transmit filter, duplexer, high efficiency PA die, RF power coupler, matching and built in voltage regulator functionality eliminating the need for external switch circuitry. With an RF power output up to 26dBm the TQM663029A meets the strict ACPR/ALTR requirements of multi-band, feature-rich CDMA2000 handset designs.

The module will provide the lowest overall current consumption available in the market based on the current sub-urban CDG (CDMA Development Group) curve by providing a 3 Gain state amplifier. In Low-Power mode operation a quiescent current of only 5mA will allow the module to achieve an overall average current of less than 44mA including RFT currents. The pin layout is optimized for use with new CDMA discrete and packaged transceiver solutions although its operation is backwards compatible with existing chipsets.

Electrical Specifications

Test Conditions V_{CC}=3.4V, V_{EN}=High, T=25°C

Parameter	Typ	Units
Frequency	1880	MHz
Max P _{OUT}	26	dBm
ACPR (±1.25MHz offset)	-52	dBc
ALTR (±1.98MHz offset)	-60	dBc
Current Consumption (at +25dBm P _{out})	380	mA
Quiescent Current in LPM	5	mA
Leakage at Rx Port	-38	dBm
Rx Noise	-183	dBm/Hz

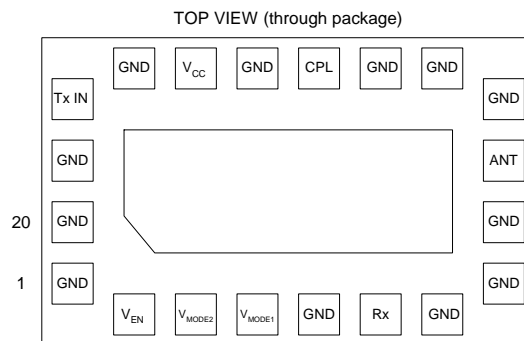
Features

- Compact 7.0x4.0x1.1mm module replacing more than 16 discrete components
- Integrated duplexer, single-ended Tx filter, PA die, RF power coupler and matching
- Built-in voltage regulator functionality eliminating any external switch circuitry
- High efficiency three gain state PA for lowest overall current consumption
- Typical quiescent current values:
Low Power Mode (LPM) = 5mA
Medium Power Mode (MPM) = 17mA
High Power Mode (HPM) = 85mA
- Low Current Consumption
Typical: 350 mA @ +25dBm
Typical: 43 mA @ +13dBm
- Excellent ACPR
Typical: -52 dBc @ +/- 1.25 MHz offset
- Excellent ALTR
Typical: -60 dBc @ +/- 1.98 MHz offset
- Lead-free 260°C RoHS Compliant
- Halogen-free (HF)
- Utilizes TriQuint BAW Duplexer Technology

Applications

- IS-95/98/CDMA2000
- EVDO Rev A Compliant
- Single/Dual/Tri-band CDMA Cellular radios

Package Style



Tritium II PA-Duplexer Module™ CDMA PCS Band

Absolute Maximum Ratings

Symbol	Parameter	Absolute Maximum Value	Units
V _{CC}	Supply Voltage with no RF applied	+6.0	V
	Supply Voltage with RF applied	+4.7	V
V _{MODE1} , V _{MODE2}	Mode Control Voltages	+3.3	V
P _{IN}	Input RF Power at Tx Port	+13	dBm
	Input RF Power at Antenna Port	+30	dBm
	Input RF Power at Rx Port	+10	dBm
T _C	Case Temperature, Survival	-35 to +95	°C
T _{STG}	Storage Temperature	-55 to +125	°C
ESD	ESD meets class 1B Human Body Model (HBM) rating under the conditions in JESD22-A114-E.		

Note: Stresses above those listed under absolute maximum ratings may cause permanent and functional damage to the device. Exposure exceeding absolute maximum rating conditions for extended periods may affect device reliability. The part may not survive all maximums applied simultaneously.

DC Electrical Characteristics

Parameter	Conditions	Min.	Typ/Nom	Max.	Units
Supply Voltage (V _{CC})	No RF	3.2	3.8	6.0	V
	HPM, MPM, LPM with RF	3.2	3.8	4.2	V
	Ruggedness Testing			4.7	V
PA Enable Digital Control Voltage (V _{EN})	Low – PA off	0.0		0.5	V
	High – PA Enabled	1.8		3.0	V
PA Bias Mode Control Voltages (V _{MODE1} , V _{MODE2})	V _{MODE1} / V _{MODE2} = Low	0.0		0.5	V
	V _{MODE1} / V _{MODE2} = High	1.8		3.0	V
Control Line Current (I _{CONTROL})	All control lines (source or sink current)		0.04	1	mA
“Off Current” (I _{OFF})	Total current on all pins; T=-20to+85°C, V _{CC} =4.7V, V _{EN} =0V		5	15	µA
Leakage Current (I _{LEAK})	Total current on all pins; T=-20to+85°C, V _{CC} =4.7V, V _{EN} =0V		5	15	µA
Turn on/off time ¹ (T _{ON-DC} , T _{OFF-DC})			1.5	20	µs
Gain switching time (T _{MODE})	High-Mid-Low		0.7	6	µs
Ambient Operating Temperature		-30		+85	°C
Case Temperature (TEMP _{CASE})		-35		+95	°C

Note 1: Definition of switching time: T_{ON-DC} = The time required to obtain the idle bias condition ±10% from a zero bias condition with RF signal applied

T_{ON-RF} = The time required to go from zero output power to reach the final output power ± 1 dB.

T_{OFF-DC} = The time required for the bias current (idle current) to decrease to < 100µA

T_{OFF-RF} = The time required to for the output power to decrease 30 dB when input signal is removed.

Tritium II PA-Duplexer Module™ CDMA PCS Band

Power Range Truth Table

Mode of Operation	V _{EN}	V _{MODE1}	V _{MODE2}	V _{CC}
Power Down / PA Off	Low	X	X	ON
Stand-by mode N/A	N/A	N/A	N/A	N/A
High Power Mode – HPM (-50 dBm < P _{OUT} < +26 dBm)	High	Low	High	ON
Medium Power Mode – MPM (-50 dBm < P _{OUT} < +16 dBm)	High	High	High	ON
Low Power Mode – LPM (-50 dBm < P _{OUT} < +13 dBm)	High	X	Low	ON

Tx to Antenna Port RF Electrical Characteristics¹

Parameter	Conditions	Min.	Typ/Nom	Max.	Units
RF Frequency		1851.25	-	1908.75	MHz
Maximum Output Power	HPM, V _{CC} =3.4 – 4.2V	26	-	-	dBm
	MPM, V _{CC} =3.4 – 4.2V	16	-	-	dBm
	LPM, V _{CC} =3.4 – 4.2V	13	-	-	dBm
Maximum Input Power	HPM	7	-	-	dBm
	MPM	9	-	-	dBm
	LPM	9	-	-	dBm
Tx Gain	HPM	18	25	29	dB
	MPM	9	15	19	dB
	LPM	4	9	15	dB
Step Function Droop ²	HPM	-	-	0.3	dB
Tx Gain in GPS Band		-	-	-44	dB
Gain Flatness	HPM	-	-	±2.0	dB
	MPM	-	-	±1.8	dB
	LPM	-	-	±1.5	dB
Tx VSWR	Tx in port	-	-	2.5:1	
Adjacent Channel Power ⁶ (EVDO RevA 4096 payload)	HPM, 3.8V, 26dBm, 25°C	-	-52	-45	dBc
	HPM, 3.4V, 25dBm, -30°C to 70°C	-	-52	-45	dBc
	MPM, 16dBm, -30°C to 70°C	-	-52	-45	dBc
	LPM, 13dBm, -30°C to 70°C	-	-52	-45	dBc
Alternate Channel Power ⁶ (EVDO RevA 4096 payload)	HPM, 3.8V, 26dBm, 25°C	-	-60	-53	dBc
	HPM, 3.4V, 25dBm, -30°C to 70°C	-	-60	-53	dBc
	MPM, 16dBm, -30°C to 70°C	-	-60	-53	dBc
	LPM, 13dBm, -30°C to 70°C	-	-60	-53	dBc
Power Efficiency	HPM, 3.4V, 25°C, 25dBm	-	22	-	%
BC1 Tx Noise in BC1 Rx Band	HPM, N _{IN} at Tx port = -135dBm/Hz	-	-	-183	dBm/Hz
	MPM, N _{IN} at Tx port = -135 – (HP _{MAX} – MP _{MAX}) dBm/Hz	-	-	-183	dBm/Hz
	LPM, N _{IN} at Tx port = -135 – (HP _{MAX} – LP _{MAX}) dBm/Hz	-	-	-183	dBm/Hz
Tx Noise in GPS Band	N _{IN} at Ant port = -135 dBm/Hz	-	-	-174	dBm/Hz
Harmonics	P _{out} = 26dBm	-	-75	-45	dBc
Stability (all spurious)	Load VSWR = 10:1 @ all angles	-	-	-90	dBc
Ruggedness	HPM, Load VSWR = 10:1 @ all angles, No Damage		26dBm		
	MPM, Load VSWR = 10:1 @ all angles, No Damage		16dBm		
	LPM, Load VSWR = 10:1 @ all angles, No Damage		13dBm		

Data Sheet

For additional information and latest specifications, see our website: www.triquint.com
Revision H, June 21, 2010



Tritium II PA-Duplexer Module™ CDMA PCS Band

Tx to Antenna Port RF Electrical Characteristics¹ (cont.)

Parameter	Conditions	Min.	Typ/Nom	Max.	Units
CDG Current ³ including RFT contributions	V _{CC} = 3.8V, 25°C	-	44	50	mA
PA Switching Time: Rise / Fall ⁴	0dB < P _{OUT} < 5dBm	-	0.165	6.0	µs
Code Domain Power ⁵	25°C < T < 60°C	23	-	-	dB
Code Channel Reverse Plot Power Accuracy	HPM, 5.5dBm P _{OUT} , R-FCH to R-Pilot @ 9600 rate	3.50	-	4.00	
	HPM, 5.5dBm P _{OUT} , R-SCH to R-Pilot @ 9600 rate	3.50	-	4.00	
Convolution Encoding ⁷	HPM, 5.5dBm P _{OUT} , R-FCH to R-Pilot @ 19.2K rate	3.38	-	3.88	
	HPM, 5.5dBm P _{OUT} , R-SCH to R-Pilot @ 19.2K rate	6.00	-	6.50	
	HPM, 5.5dBm P _{OUT} , R-FCH to R-Pilot @ 38.4K rate	2.13	-	2.63	
	HPM, 5.5dBm P _{OUT} , R-SCH to R-Pilot @ 38.4K rate	7.25	-	7.75	
	HPM, 5.5dBm P _{OUT} , R-FCH to R-Pilot @ 76.8K rate	0.88	-	1.38	
	HPM, 5.5dBm P _{OUT} , R-SCH to R-Pilot @ 76.8K rate	8.75	-	9.25	
	HPM, 5.5dBm P _{OUT} , R-FCH to R-Pilot @ 153.6K rate	-1.00	-	-0.50	
	HPM, 5.5dBm P _{OUT} , R-SCH to R-Pilot @ 153.6K rate	10.25	-	10.75	
Code Channel Reverse Pilot Power Accuracy	HPM, 5.5dBm P _{OUT} , R-FCH to R-Pilot @ 19.2K rate	3.250	-	3.750	
	HPM, 5.5dBm P _{OUT} , R-SCH to R-Pilot @ 19.2K rate	5.250	-	5.750	
Turbo Encoding ⁷	HPM, 5.5dBm P _{OUT} , R-FCH to R-Pilot @ 38.4K rate	2.250	-	2.750	
	HPM, 5.5dBm P _{OUT} , R-SCH to R-Pilot @ 38.4K rate	6.750	-	7.250	
	HPM, 5.5dBm P _{OUT} , R-FCH to R-Pilot @ 76.8K rate	1.125	-	1.625	
	HPM, 5.5dBm P _{OUT} , R-SCH to R-Pilot @ 76.8K rate	8.250	-	8.750	
	HPM, 5.5dBm P _{OUT} , R-FCH to R-Pilot @ 153.6K rate	-0.625	-	-0.125	
	HPM, 5.5dBm P _{OUT} , R-SCH to R-Pilot @ 153.6K rate	9.250	-	9.750	

Note 1: Test Conditions: V_{CC1}=3.8VDC, T_C = 25°C unless otherwise specified.

Note 2: With the module in high gain mode steps the RF signal from -80dBm a level such that PO = POUT (H). The rise time for the step in the input power to the module shall not exceed 250ns

Note 3: Total current integrated across CDMA suburban CDG curve including estimated RFT contributions

Note 4: Rise: time required to go from (Pout - 30 dB) to (Pout ± 1 dB); Fall: time required to reach (Pout - 30 dB) from (Pout ± 1 dB) when input signal removed.

Note 5: To be measured at Pout = 26dBm. Refer to IS98E section 4.3.5.

Note 6: Linearity in MPM and LPM for CDMA EVDO revA modulation is guaranteed with a 1dB back-off from stated switch points

Note 7: Refer to IS-98E section 4.4.9; High Power Mode only; required to meet this specification at +25C

Rx to Antenna Port RF Electrical Characteristics

Parameter	Conditions	Min.	Typ/Nom	Max.	Units
Frequency		1930	-	1990	MHz
Mid Band Insertion Loss	1935 – 1985 MHz	-	2.0	2.8	dB
Insertion Loss	1930 – 1990 MHz over temperature	-	2.6	3.5	dB
Rx VSWR	ANT and Rx ports	-	-	2.5:1	
Attenuation	BCO Tx 824-849 MHz	25	-	-	dB
	BC1 Tx 1850-1910 MHz	45	-	-	dB
	ISM Tx 2400-2484 MHz	35	-	-	dB
	Rx 2 nd Harmonic 3860-3980 MHz	30	-	-	dB
	Rx 3 rd Harmonic 5790-5970 Mhz	30	-	-	dB
	Rx 4 th Harmonic 7720-7960 MHz	30	-	-	dB

Tritium II PA-Duplexer Module™ CDMA PCS Band

Tx to Rx Port RF Electrical Characteristics

Parameter	Conditions	Min.	Typ/Nom	Max.	Units
Small Signal Gain		-	-	-54	dB
Tx Leakage	25.5 dBm, 3.8V, 25°C < T < 60°C	-	-31	-26.1	dBm
Triple Beat Test ¹	T = 25°C, Center Band		-91		dB

Note 1: Ratio of CW jammer to triple beat product at Rx port (HPM only). Triple beat frequencies: Ant input = 1930, 1960, 1990 MHz; Tone 1 = 1850, 1880, 1910MHz; Tone 2 = 1851, 1881, 1931 MHz

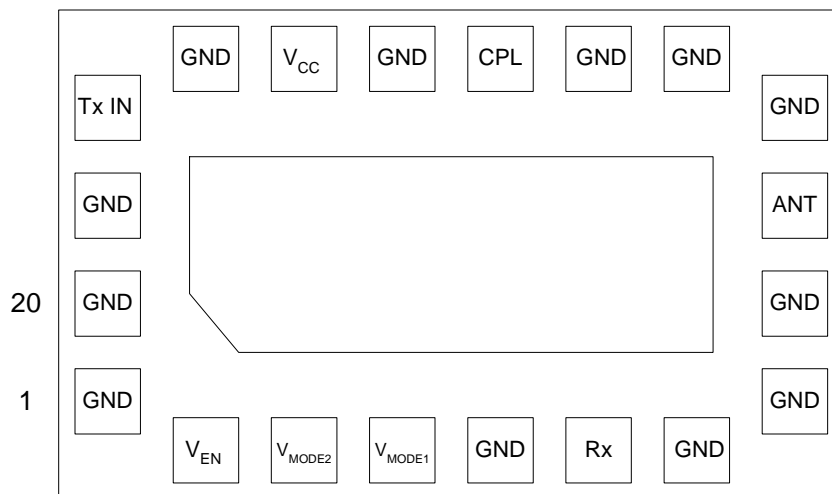
Coupled Port RF Electrical Characteristics

Parameter	Conditions	Min.	Typ/Nom	Max.	Units
Tx Power at Coupled Port	Over freq & temp relative to P _{OUT} , 15dBm < P _{OUT} < 26dBm	-23	-	-18	dBc
Output Impedance		-	50	-	Ω
VSWR	HPM, Coupled Port	-	-	2.0:1	
Directivity Error	HPM, 3.5:1 @ all angles, 22dBm < P _{OUT} < 26dBm	-4.0	-	1.0	dB
Temp Variation	HPM, 25dBm, 50Ω load at ANT, 3.8V, -30°C < T < 85°C	-0.5	-	0.5	dB

Tritium II PA-Duplexer Module™ CDMA PCS Band

Pin Out and Assignments

TOP VIEW (through package)

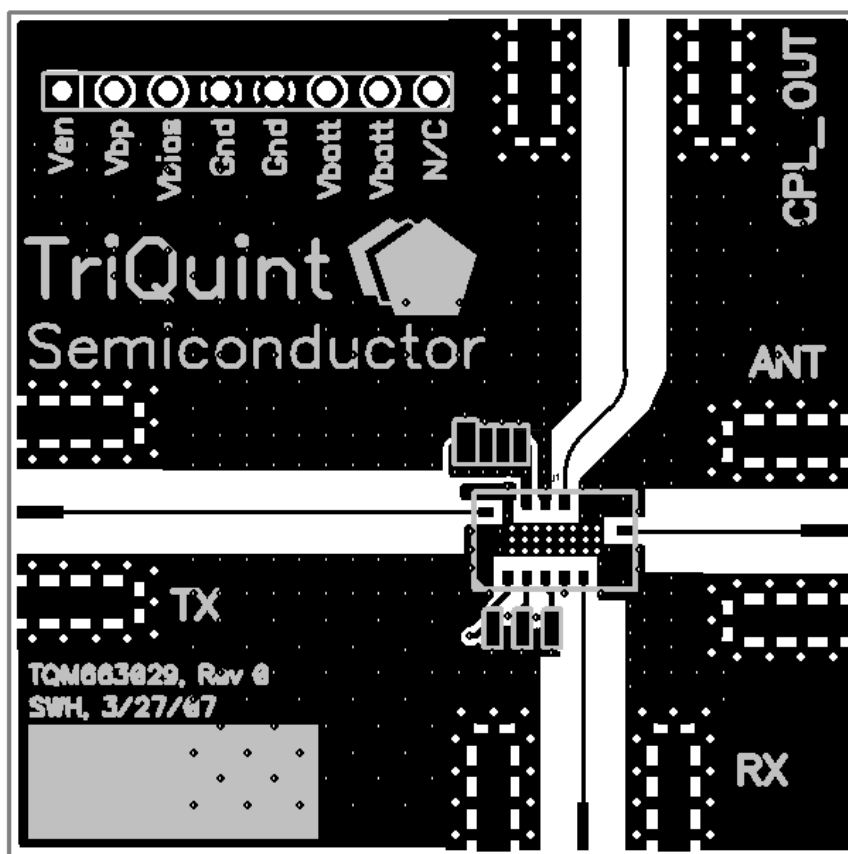


Pin	Symbol	Description
1	GND	Ground
2	V _{EN}	Enable Logic Control
3	V _{MODE2}	Control for low power mode
4	V _{MODE1}	Control for high and medium power modes
5	GND	Ground
6	Rx	Duplexer Rx Output Port
7	GND	Ground
8	GND	Ground
9	GND	Ground
10	ANT	Duplexer Antenna Port
11	GND	Ground
12	GND	Ground
13	GND	Ground
14	CPL	Directional Coupler Output Port
15	GND	Ground
16	V _{CC}	PA Power Supply
17	GND	Ground
18	Tx _{in}	Tx Input
19	GND	Ground
20	GND	Ground

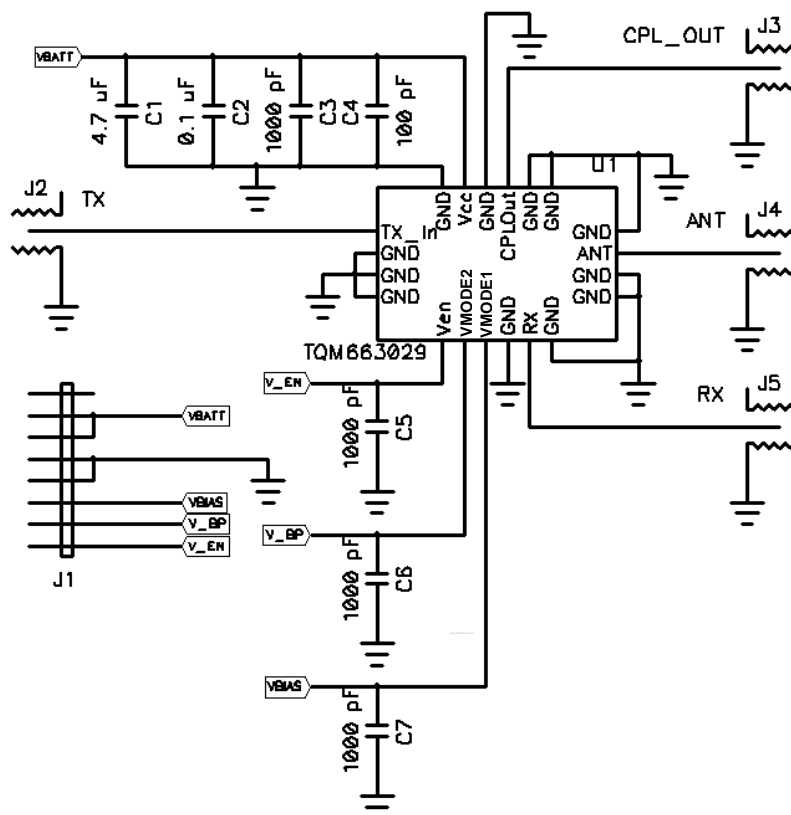
Tritium II PA-Duplexer Module™ CDMA PCS Band

Applications information; tuning procedures; board layout precautions

TriQuint offers our customers the below evaluation board as a means for testing and analysis of the TQM663029A. The evaluation board schematic and picture are provided for preliminary analysis and design. The following figures show the TriQuint application board and the schematic of the board followed by the power-up/power-down sequence instructions



Tritium II PA-Duplexer Module™ CDMA PCS Band

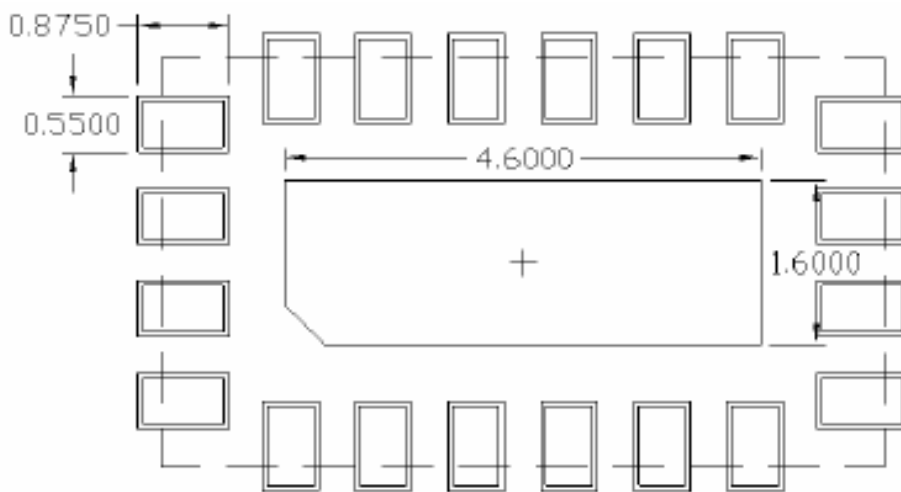
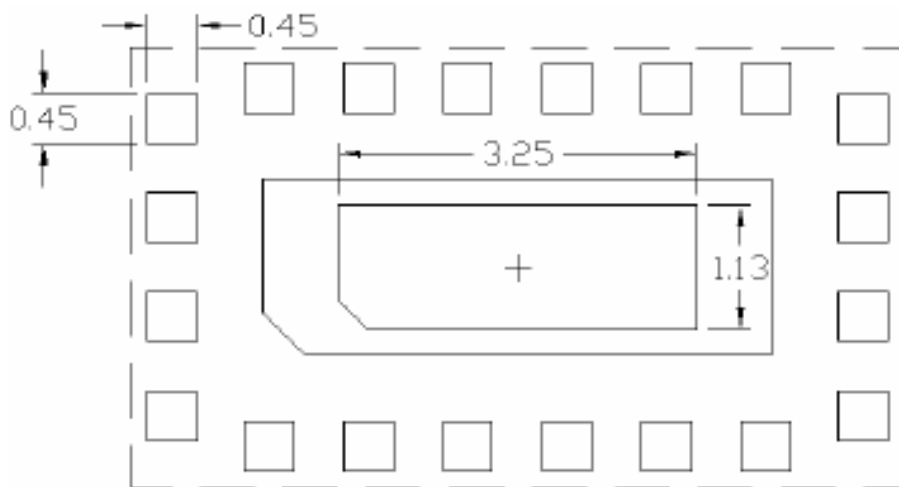


Applications Information: Power Up/Down Sequences

Power-Up Sequence			Power-Down Sequence		
Sequence	PIN	Description	Sequence	PIN	Description
1	V _{CC}	Apply Battery Voltage	1	RF	Remove RF
2	V _{MODE1}	Set PA Mode 1 bit	2	V _{EN}	Disable PA
3	V _{MODE2}	Set PA Mode 2 bit	3	V _{MODE1}	Set V _{MODE1} = 0V
4	V _{EN}	Enable PA	4	V _{MODE2}	Set V _{MODE2} = 0V
5	RF	Apply RF	5	V _{CC}	Remove Battery Voltage

Tritium II PA-Duplexer Module™ CDMA PCS Band

PC Board Layout recommendations



Recommended Reflow Profile

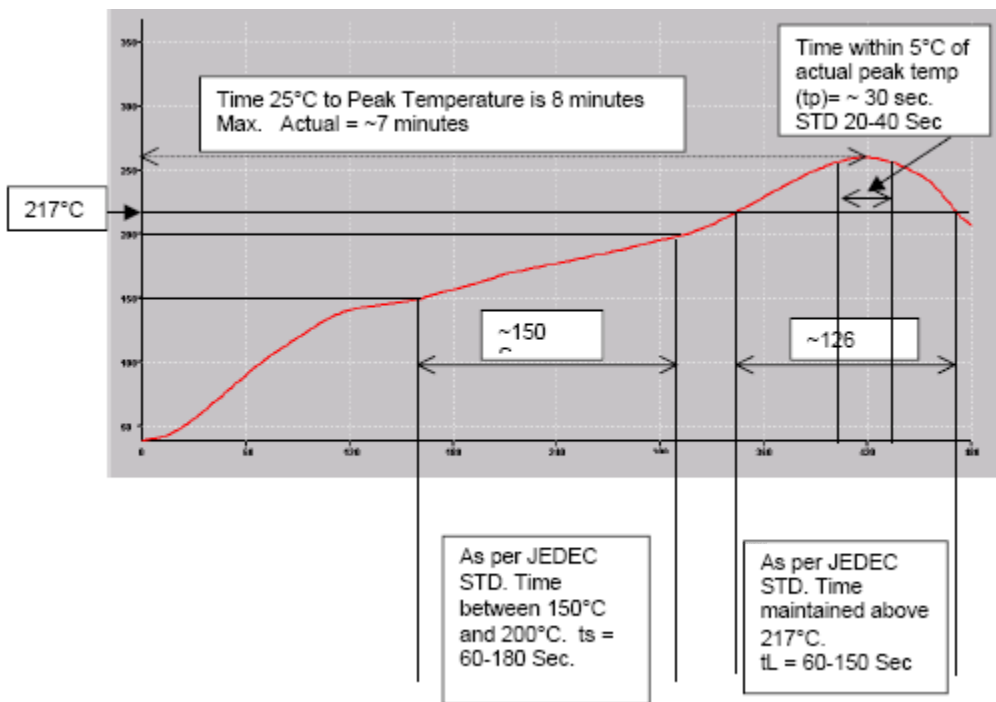
Data Sheet

For additional information and latest specifications, see our website: www.triquint.com
Revision H, June 21, 2010



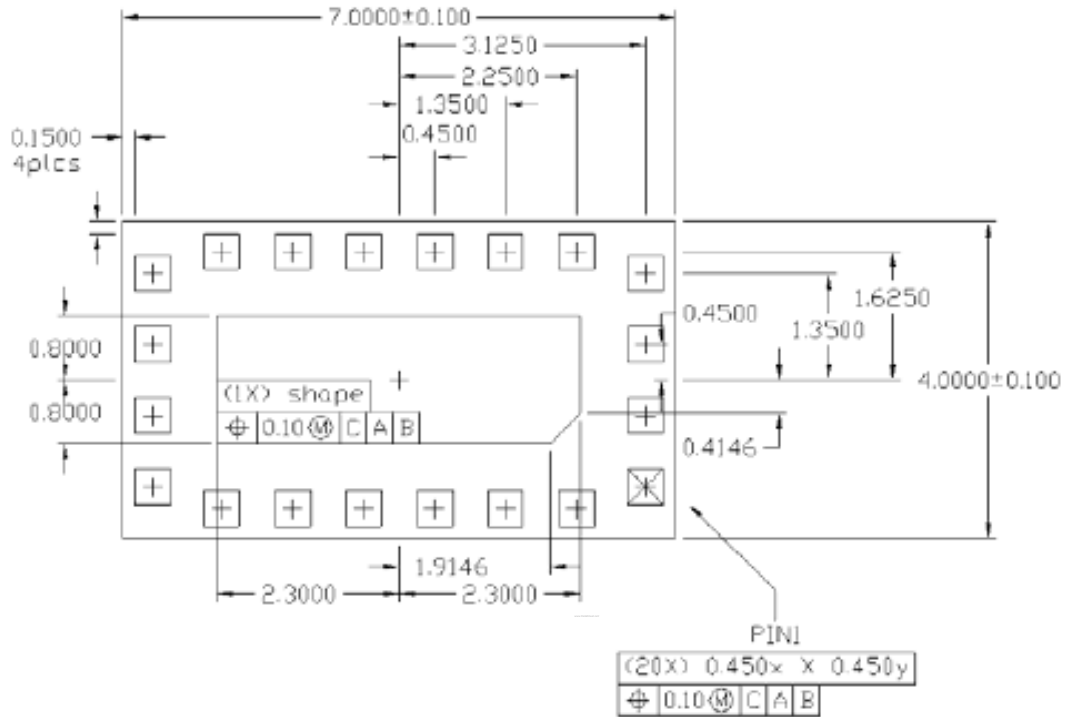
Tritium II PA-Duplexer Module™ CDMA PCS Band

The TQM663029A is rated for 260°C reflow profile. Below is a general recommendation for 260°C reflow. The specific profile used will need to take into account the requirements of the board, other components, and the layout. The following recommendation should only be used as a guideline.

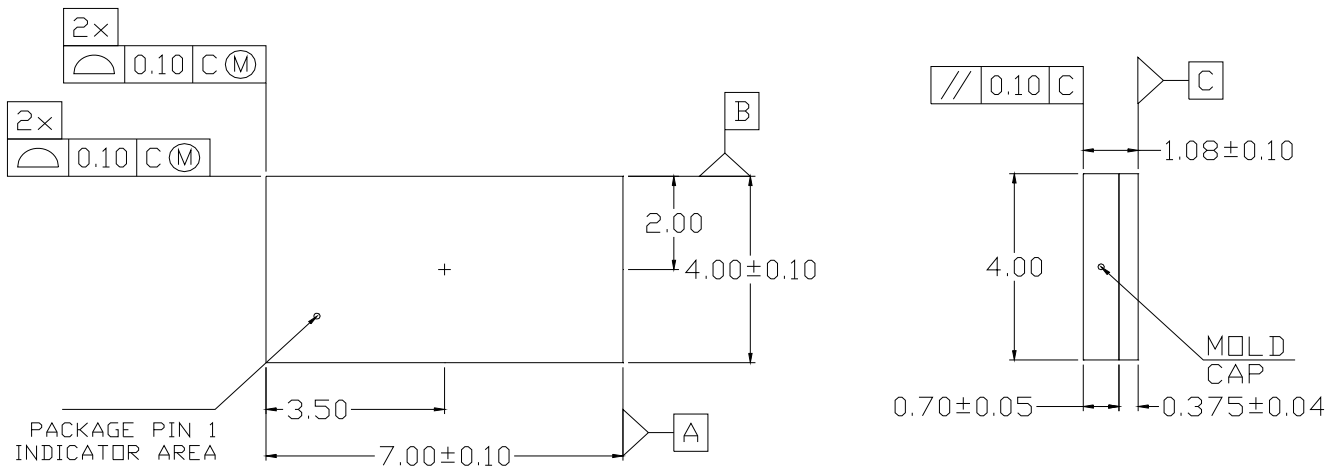


Tritium II PA-Duplexer Module™ CDMA PCS Band

Package Dimensions



Bottom View



Package Drawing

Data Sheet

For additional information and latest specifications, see our website: www.triquint.com
Revision H, June 21, 2010



Tritium II PA-Duplexer Module™ CDMA PCS Band

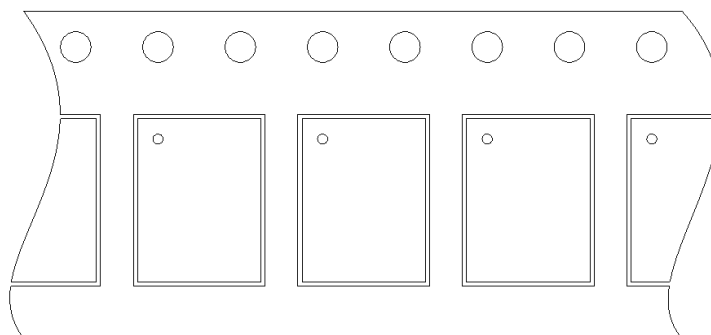
Package Marking



4x7mm, Pin 1 Lower Left Hand Corner

- 1) Line 1: TriQuint + Logo
- 2) Line 2: Product Name: TQM663029A
- 3) Line 3: YYWW = Year/Week [CCCC = Country Code (Production Parts), Engineering Mark (Must start w/ letter "E", ENGR (Default) E#@# (Engineering Revision with 3 Digits, where # = number, @ = letter), ES#@ (Engineering revision with 2 digits, where # = number, @ = letter))]
- 4) Line 4: XXXXXXXX (6 to 8 character alphanumeric lot number)

Tape and Reel Specification:



MODULE 4x7 and 5x8
User Direction of Feed →

Carrier tape - 3M part # 3M053091, Ao = 4.55mm, Bo = 7.60mm, Ko = 1.73mm, width = 16mm, pitch = 8mm
Cover tape - 3M part # 2678 13.3mm wide

Note: Packaged quantity is 2,500 per reel

Shipment Box & Label Description:

Data Sheet

For additional information and latest specifications, see our website: www.triquint.com
Revision H, June 21, 2010









Tritium II PA-Duplexer Module™ CDMA PCS Band

Tape & Reels will be packaged in a dry-pack bag and then in a shipment box. The box dimensions will depend on the number of reels shipped in each box and are noted in the table below. The box label and a description of each item on the label are also shown below.

13 Inch x16mm--Drypack		
Box Size	Reel Qty/Box	Empty Box Wt w/ Packing
15x15x7	3	2
18x15x11	5	2.36
17x16x17	9	2.76



Format: 4 * 6.5 in 102 * 166 mm Code 39 1:2	<table border="1"> <tr> <td>Ship From: TRIQUINT SEMICONDUCTOR, INC 2300 NE BROOKWOOD PARKWAY HILLSBORO, OR 97124</td> <td>Ship To: Recipient Address Information Here</td> </tr> </table>	Ship From: TRIQUINT SEMICONDUCTOR, INC 2300 NE BROOKWOOD PARKWAY HILLSBORO, OR 97124	Ship To: Recipient Address Information Here
Ship From: TRIQUINT SEMICONDUCTOR, INC 2300 NE BROOKWOOD PARKWAY HILLSBORO, OR 97124	Ship To: Recipient Address Information Here		
Supplier Code: 10 Character Max. + TQS Shipper Number. (Pkg. ID/Serial Number)	(3S) Pkg ID: 581+23047123 		
Customer Purchase Order. 20 Character Max.	(K) Trans ID: 812934657 		
Customer Part Number. 22 Character Max.	(P) CPN: 5871-2489 		
Quantity.	(Q) QTY: 20000 		
Supplier Product Number. 21 Character Max.	(1P) SPN: TQD777001 		
Box Count (1/3, 2/3, etc.)	(13Q) Pkg Count: 1/1 		
	Package Weight 3.0 LB / 1.36 KG		

All Barcodes Contain Data Identifier Followed by Data, e.g. K812934657

Manufacturer's Part Number
MPN: 1005859

Tritium II PA-Duplexer Module™ CDMA PCS Band

Additional Information¹

This part is compliant with RoHS directive (Restrictions on the Use of Certain Hazardous Substances in Electrical and Electronic Equipment).

The part is rated Moisture Sensitivity Level 3 at 260°C per JEDEC standard IPC/JEDEC J-STD-020.

¹ For latest specifications, additional product information, worldwide sales and distribution locations, and information about TriQuint:

Web: www.triquint.com

Tel: (503) 615-9000

Email: info_wireless@tqs.com

Fax: (503) 615-8902

For technical questions and additional information on specific applications:

Email: info_wireless@tqs.com

The information provided herein is believed to be reliable; TriQuint assumes no liability for inaccuracies or omissions. TriQuint assumes no responsibility for the use of this information, and all such information shall be entirely at the user's own risk. Prices and specifications are subject to change without notice. No patent rights or licenses to any of the circuits described herein are implied or granted to any third party.

TriQuint does not authorize or warrant any TriQuint product for use in life-support devices and/or systems.

Copyright © 2004 TriQuint Semiconductor, Inc. All rights reserved 2008.

Data Sheet

For additional information and latest specifications, see our website: www.triquint.com

Revision H, June 21, 2010

