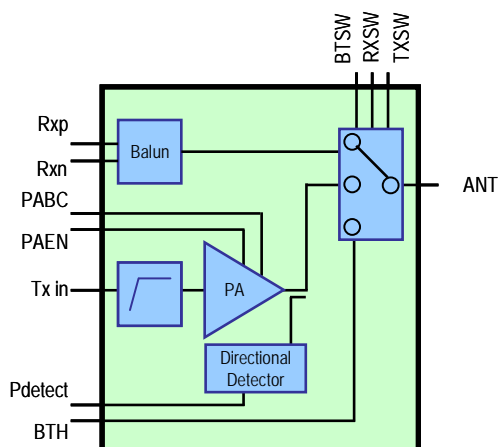


802.11b/g/n WLAN/BT Front-End Module

Block Diagram



Features

- Fully Integrated, 802.11b/g/n + BT front-end module
- Internally matched input/output
- Integrated directional detector
- Temperature Compensated Bias Network
- Single battery voltage of 2.3V-5.5V
- Leadless 3.0 x 3.0 x 0.45 mm SMT Pb-Free
- Pout = 20.5dBm 802.11b and 16dBm OFDM 64QAM, 54Mbps at 3% EVM

Applications

- IEEE802.11b/g/n WLAN/BT Applications
- Single-Chip RF Front-end Module
- Wireless LAN Systems
- Portable Battery-Powered Equipment

Package Style

- 3.0x3.0x0.45mm ETSLP Plastic Package

Product Description

The TQM679002A is full WLAN/BT front-end module in an ultra small 3mm x 3mm footprint package for 802.11b/g/n and Bluetooth applications. The TQM679002A contains 2.4GHz PA, directional detector, front-end switch, Bluetooth path and receive balun. The architecture and interface are optimized for next generation WLAN integration into handset devices. The front-end module features CMOS compatible control voltages to facilitate ease of use. With its low power dissipation, the front-end Module contributes to the extended battery life of next generation WLAN solutions. The front-end module is manufactured in TriQuint's high-reliability E/D pHEMT technology and is assembled in thin profile 3mm x 3mm x 0.45mm ETSLP - 16 Pb-Free package.

Electrical Specifications

Parameter	Min	Typ	Max	Units
Frequency	2400		2500	MHz
Pout, 802.11g, 64QAM, 54Mbps		17		dBm
EVM			3.5	%
Current, 802.11g, Pout=15.5dBm		115.5		mA

Note 1: 3.6V supply, +25°C

Data Sheet: Subject to change without notice

For additional information and latest specifications, see our website: www.triquint.com

