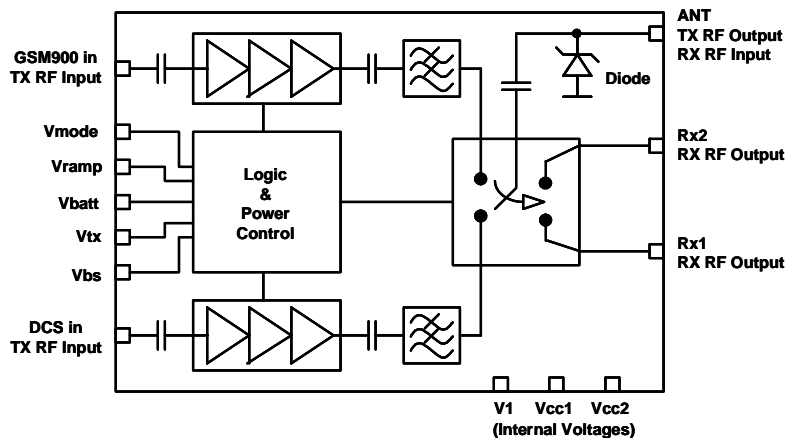


3V Dual-Band GSM900/DCS Transmit Module

Functional Block Diagram



Product Description

The advanced dual-band Transmit Module designed for GSM900 / DCS mobile handset applications provides full RF transmit functionality in a size of only 36 mm². The GSM900 and DCS power amplifier blocks including power control are combined with the low insertion loss dual-band pHEMT switch, Tx harmonics filtering, integrated switch decoder, two receive ports, and full ESD protection. This architecture eliminates the need for any PA-to-switch design effort for phone designers. Both Rx ports are frequency independent and allow flexible routing to the transceiver. Fabricated in high-reliability InGaP HBT / pHEMT technology, the module supports GPRS class 12 operation and provides 50 Ohms input and output impedances at all RF input and output ports. The module control inputs are CMOS compatible and *has no need for an external reference voltage*. With its excellent efficiency performance in both bands, the power amplifier and switch module contributes to the overall talk-time targets of next generation mobile handset designs.

Features

- Ultra Compact Size – 6.0x6.0x1.1mm³.
- High System Efficiency – GSM900 45% , DCS 38%
- Integrated Power and SP4T Control
- Integrated SP4T pHEMT Switch
- Free choice of Rx ports for band selection
- Integrated Low Pass Tx Harmonics Filter
- Positive Supply Voltage 2.7 to 5.5 V.
- 50 Ω Input and Output Impedances.
- GPRS Class 12 Compatible.
- CMOS Compatible Module Control Inputs.
- High-Reliability InGaP HBT Technology
- Ruggedness 30:1
- 260°C RoHS compliant

Applications

- GSM GPRS Handsets and Modems
- Dual -band Class 12 Compatible

Package Style

