

### Applications

- BC0 / BC1 CDMA / EVDO Handsets / Data cards
- Bands 2 & 5 WCDMA Handsets / Data Cards
- HSDPA / HSUPA / HSPA+

### Product Features

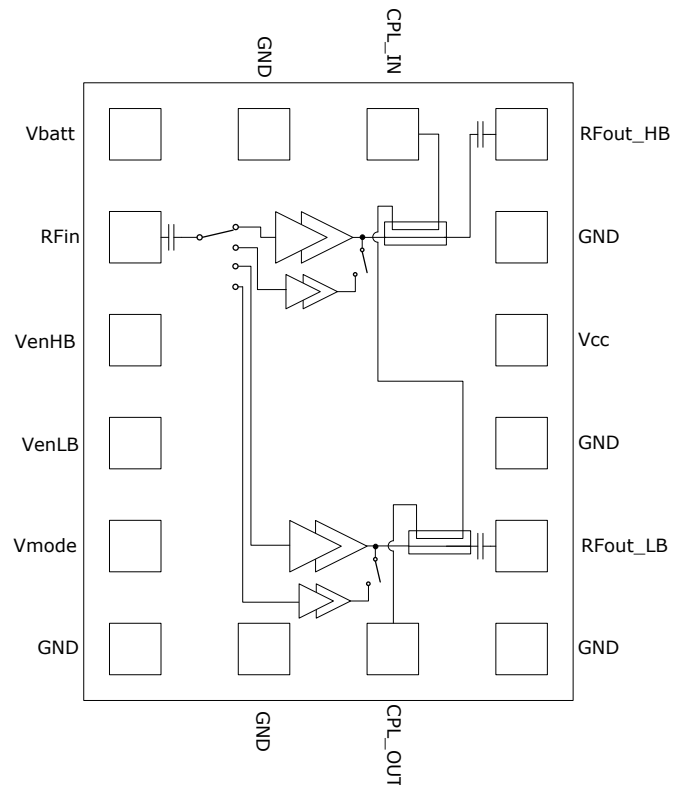
- Integrated high efficiency dual-band two gain state power amplifier,  $V_{REG}$  circuitry, input band select switch and directional coupler
- Multi-Band coverage
  - High Band 2, 25, BC1 (1850 – 1915 MHz)
  - Low Band 5, 26, BC0 (814 – 849 MHz)
- Small Size = 4.0 mm x 3.0 mm
- Low Quiescent Current in LPM
- High Max Power PAE
- No External Voltage Regulation Required
- APT (Average Power Tracking) Capable

### General Description

The TQM7M6025 PA Module integrates two high efficiency BiHEMT power amplifiers, input band select switch, directional coupler and Vreg circuitry into a compact 4.0 mm x 3.0 mm package. TriQuint's CuFlip® assembly technology and BiHEMT GaAs process provides a compact, low cost solution optimized for the Qualcomm WTR2605 transceiver with state-of-the-art HPM PAE.

The TQM7M6025 is a power amplifier module for bands 2, 25 & 5, 26 for use with WCDMA and BC0 and BC1 for CDMA modulations. As a result of the combination of high performance, low cost and small size it is well suited for both mobile handset and data card applications.

### Functional Block Diagram



### Electrical Specifications

Parameter	Band 2	Band 5	Units
HPM $P_{OUT}$	+28.6	+28.0	dBm
ACLR (5 MHz offset)	-40	-40	dBc
ACLR (10 MHz offset)	-50	-50	dBc
HPM $P_{max}$ PAE *	45	45	%
Rx Noise	-136	-135	dBm/Hz
HPM Gain	27	27	dB

Typical performance for WCDMA Rel99,  
 $V_{CC}=+3.4$  VDC,  $V_{EN}=HIGH$ ,  $T_C=25$  °C.

\* PAE measured at required  $V_{CC}$  for Rel99  
 $ACLR1 \leq 40$  dBc.

### Ordering Information

Part No.	Description
TQM7M6025	2 in 1 Power Amplifier Module

Standard T/R size = 2500 pieces on a 13" reel