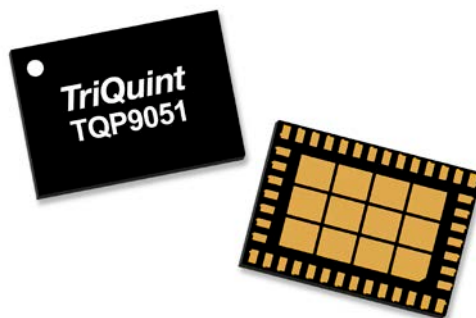


Applications

- GSM/EDGE/WCDMA/LTE
- Hexa-Band WCDMA + Quad-Band EDGE
- HSDPA/HSUPA/HSPA+
- EVDO rev A

Product Features

- Envelope tracking compatible
- UMTS Band 1,2,3,4,5,8, & 26
- Integrated band distribution switches
- Quad-Band Linear GSM/EDGE
- MIPI RFEE Interface
- W/CDMA/LTE has 2 modes – HPM & LPM
- GSM has 2 modes – HPM & LPM
- HBT / CuFlip® PA Technology
- 50 Ohm input and output impedance
- Lead-free 260°C/RoHS/Halogen-free



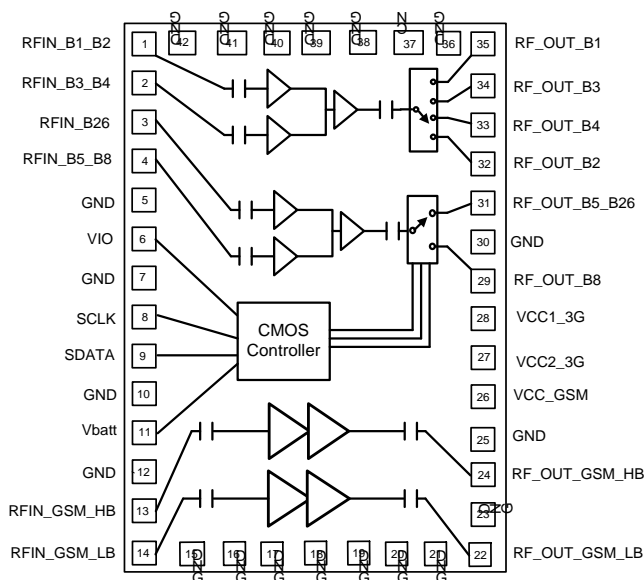
42-Pin 5x7x1 mm Package

General Description

The TQP9051 is a fully matched multimode multiband Power Amplifier Module that supports Quad-band Linear GSM/EDGE, W/CDMA & LTE Bands 1, 2, 3, 4, 5, 8 and 26. The GSM PA output power is controlled by the input power coming from the transceiver in both GMSK and 8PSK modes. The 2-Gain state WCDMA PA operates in LPM and HPM to maximize talk time over the entire range of operating conditions. The WCDMA HPM PA is designed for ET (envelope tracking) and at high powers and APT (average power tracking) over the entire operating power range.

The TQP9051 is designed on TriQuint’s GaAs HBT technology with CuFlip® assembly offering state of the art reliability, temperature stability and ruggedness. RF performance meets the stringent linearity requirements for multi-mode operation.

Functional Block Diagram



Ordering Information

Part No.	Description
TQP9051	Quad-Band EDGE + Hexa-band WCDMA Multi-Mode PA Module

Standard T/R size = 2500 pieces on a 7" reel