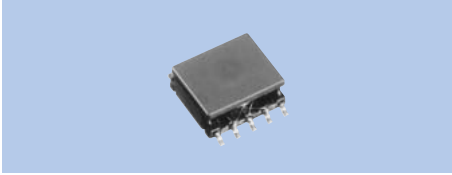


Transformers for Inverter or Converter TR Series

Coils, Filters

TR9-B-S

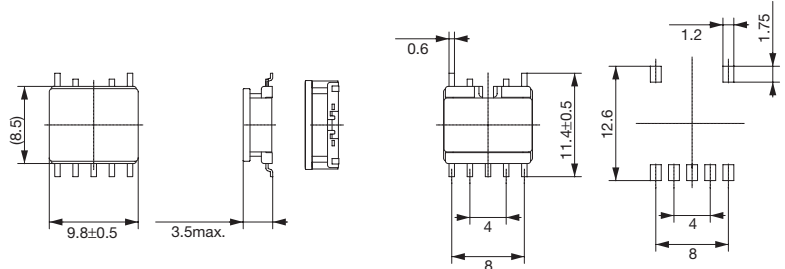


Specifications

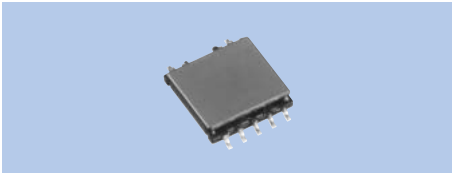
- (1) —
- (2) 10~300kHz
- (3) 1W

Features

- SMD
- 500pcs./Reel



TR11-D-S

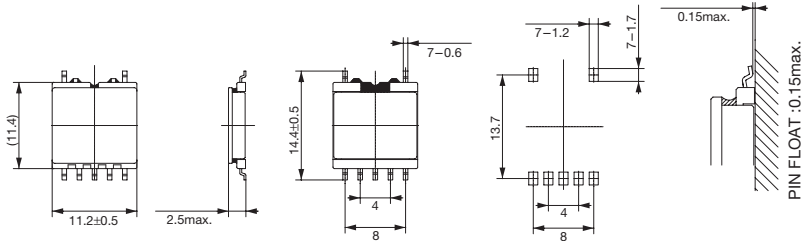


Specifications

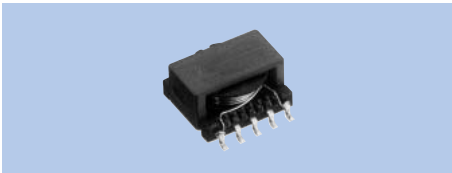
- (1) —
- (2) 10~300kHz
- (3) 1W

Features

- SMD
- 500pcs./Reel



TR11-A-S



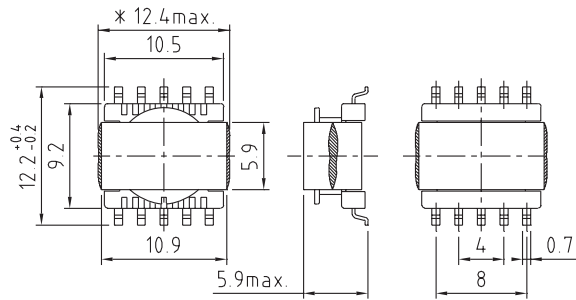
Specifications

- (1) —
- (2) 10~300kHz
- (3) 2W

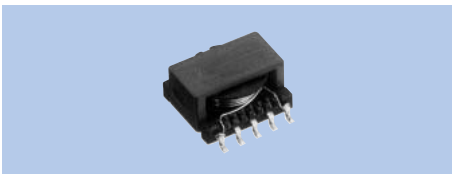
Features

- SMD
- 500pcs./Reel

Dimensions marked with an asterisk(*) include adhesive overflow.



TR11-A1-S

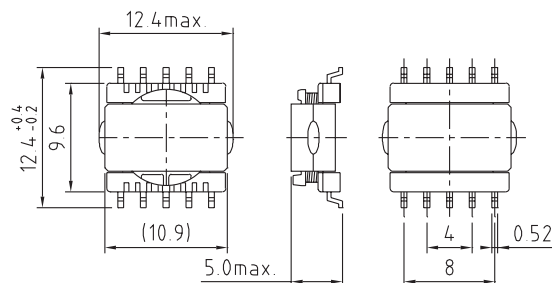


Specifications

- (1) —
- (2) 10~300kHz
- (3) 1.5W

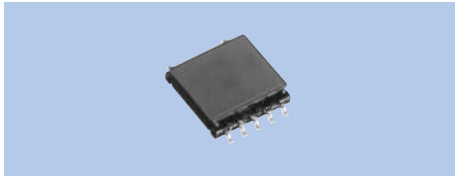
Features

- SMD
- 500pcs./Reel



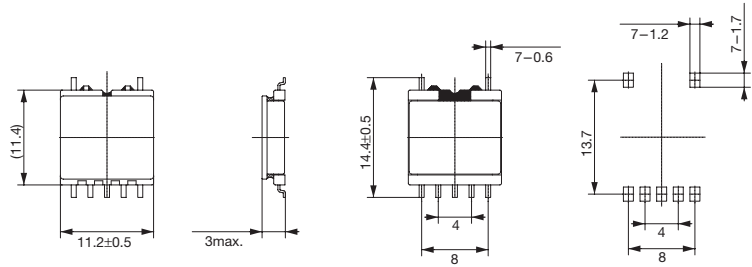
- (1) Inductance
- (2) Operational frequency
- (3) Power Capacity

TR11-C-S



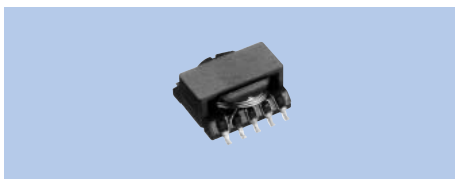
Specifications
 (1) -
 (2) 10~300kHz
 (3) 1.3W

Features
 SMD
 500pcs./Reel



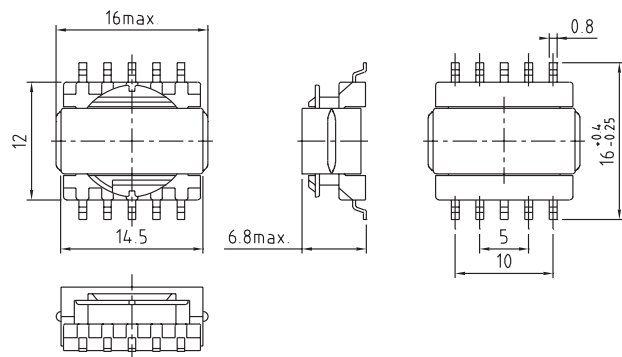
www.DataSheet4U.com

TR14-A-S



Specifications
 (1) -
 (2) 10~300kHz
 (3) 3.0W

Features
 SMD

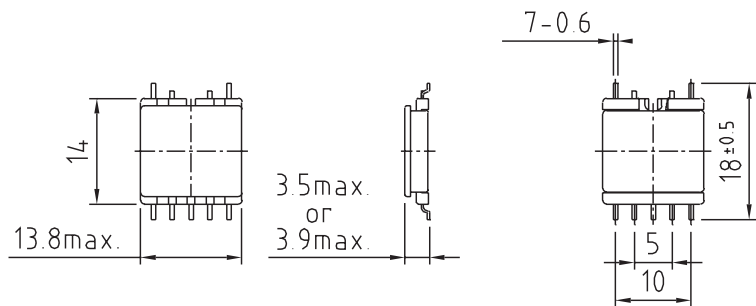


TR14-C-S

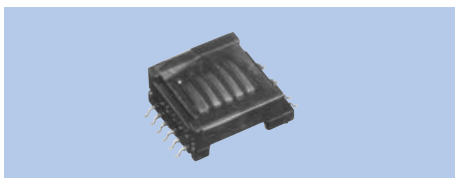


Specifications
 (1) -
 (2) 10~300kHz
 (3) 2W

Features
 SMD

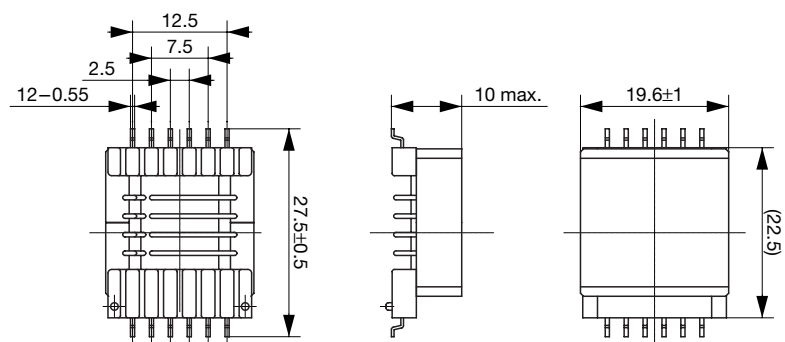


TR21-A-S



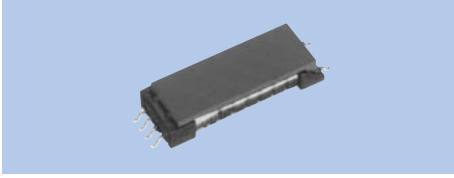
Specifications
 (1) -
 (2) 10~300kHz
 (3) 8W

Features
 SMD



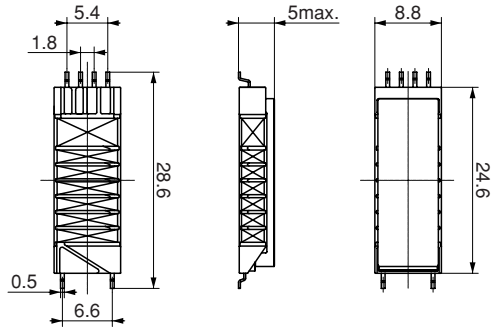
(1) Inductance
 (2) Operational frequency
 (3) Power Capacity

TR25-A-S



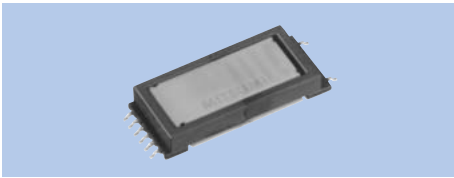
Specifications
 (1) –
 (2) 10~300kHz
 (3) 4W

Features
 SMD



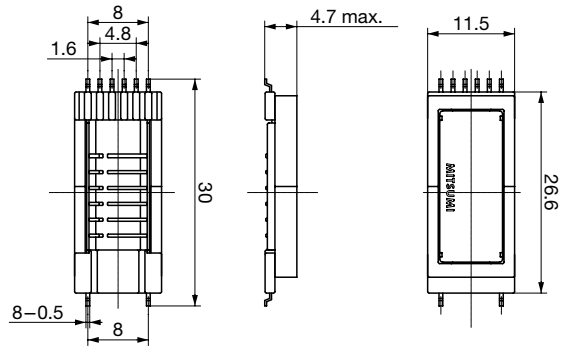
www.DataSheet4U.com

TR26-A-S

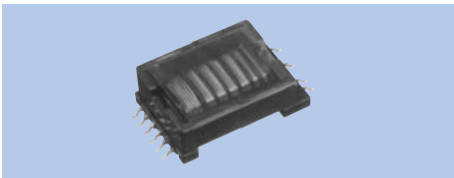


Specifications
 (1) –
 (2) 10~300kHz
 (3) 3W

Features
 SMD

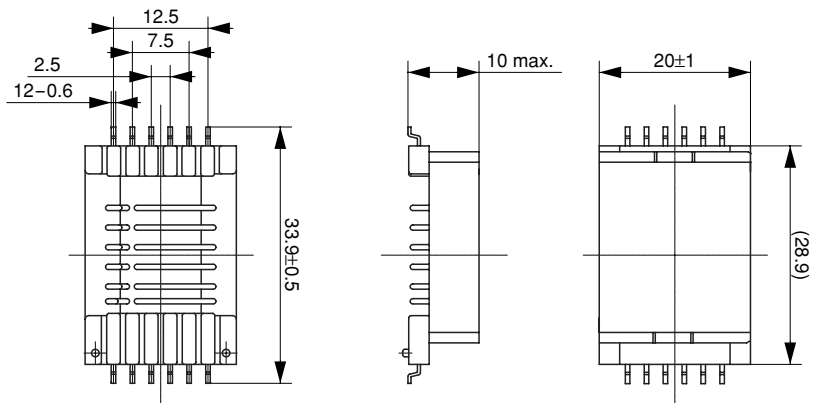


TR29-A-S



Specifications
 (1) –
 (2) 10~300kHz
 (3) 12W

Features
 SMD



(1) Inductance
 (2) Operational frequency
 (3) Power Capacity