

TRC

www.DataSheet4U.com

MAIN FEATURES

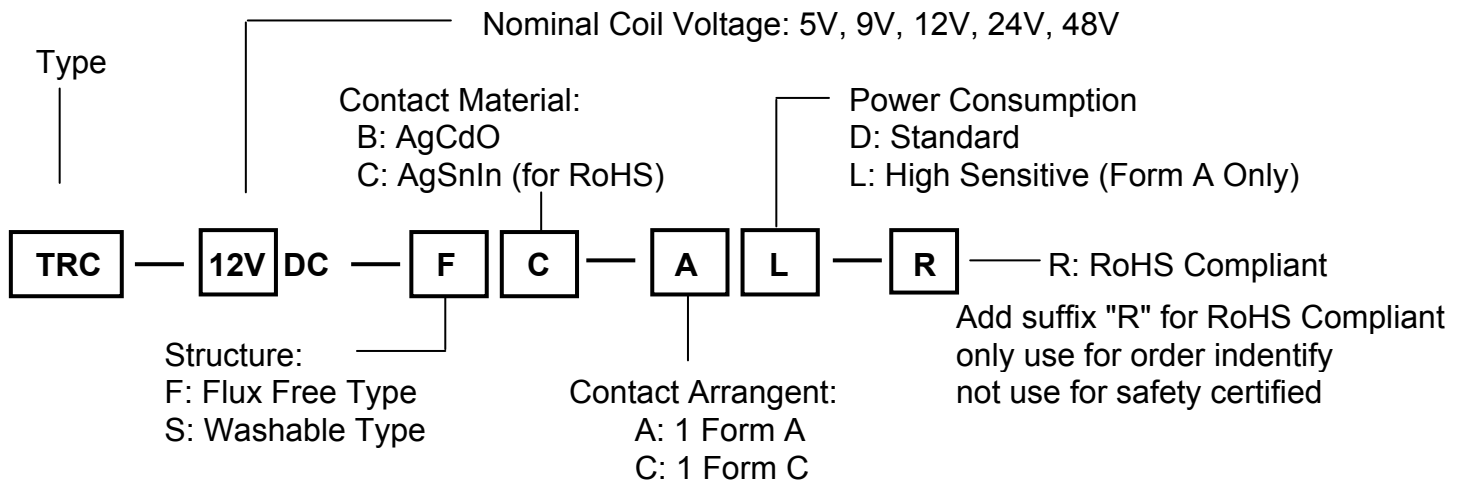
- Small size at 10A switching capacity relay for high density PCB mounting technique
- 1A and 1C contact form available
- Surge resistiveness of 5000V on series relays
- UL, CSA & TUV recognized
- Selection fo plastic insulatiopn material for high temperature and better chemical soultion performance



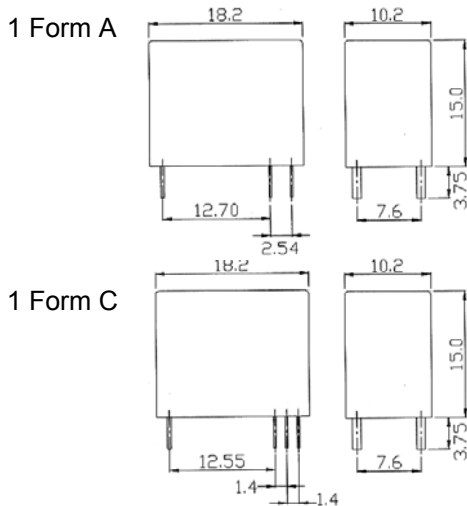
APPLICATIONS

- Domestic appliances, Office machines, Audio equipment, Automobile, etc.

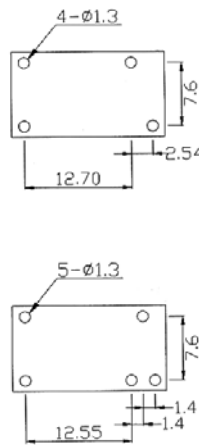
ORDERING INFORMATION



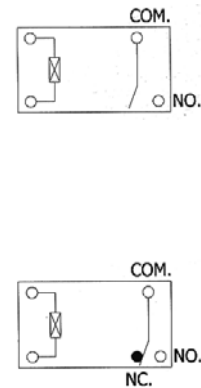
DIMENSION (unit:mm)



DRILLING (unit:mm)



WIRING DIAGRAM



CONTACT RATING

Item	Type	TRC
Contact Capacity Resistive Load (cosΦ=1)		10A 120VAC / 28VDC (UL) 5A 240VAC / 28VDC (TUV)
Rated Carrying Current		10A
Max. Allowable Voltage		265VAC / 30VDC
Max. Allowable Current		10A
Max. Allowable Power Force		1200VA / 280W
Referenced Min. Applicable Load		5VDC / 10mA
Contact Material		Ag Alloy

COIL DATA CHART (AT20°C)

Coil Sensitivity	Nominal Voltage (VDC)	Normal Current (mA)	Coil Resistance (Ω) $\pm 10\%$	Power Consumption (W)	Pickup Voltage (VDC) Max	Release Voltage (VDC) Min.	Coil Voltage (VDC) Max.
TRC - L High Sensitivity	5	40.0	125	abt. 0.2W	75%	5%	130%
	9	22.5	400				
	12	16.7	720				
	24	8.16	2800				
TRC - D Standard	5	91.0	55	abt. 0.45W	75%	5%	120%
	9	50.0	180				
	12	37.5	320				
	24	18.8	1280				
	48	9.4	5100				

PERFORMANCE

Item	Type	TRC	
		1 Form C	1 Form A
Contact Resistance		100m Ω Max.	
Operation Time		10m sec Max.	
Release Time		4m sec Max.	
Dielectric Strength			
Between coil & contact		2800VAC 1 min	3500VAC 1 min
Between open contact		750VAC 1 min	
Surge Resistiveness		5000V	
Insulation Resistance		100 M Ω Min. (500VDC)	
Max. ON/OFF Switching Mechanically		300 operation/min	
Max. ON/OFF Switching Electrically		30 operation/min	
Operating Ambient Temperature		-30°C to + 60°C	
Operating Humidity		45 to 85% RH	
Coil Temperature Rise		40 deg. Max. (at rated coil voltage)	
Vibration			
Endurance / Error Operation		1.5mm D.A. 10 to 55Hz	
Shock			
Endurance		100G Min.	
Error Operation		10G Min.	
Life Expectancy			
Mechanically		1x10 ⁷ ops. Min. (no load)	
Electrically		1x10 ⁵ ops. Min. (at rated coil voltage)	
Weight		abt. 6 grs	
UL		E156521	
CSA		LR102317	
TUV		R50062360	

REFERENCE DATA

