

10/100M Single Port Transformer Modules

Trxcom Technology Inc

- ※ With various turns ratios
- ※ Meets IEEE 802.3 and ANSI X3.263 standards, including 350 μ H OCL with 8 mA bias
- ※ For RoHS-5 part add suffix NLE
- ※ For RoHS-6 part add suffix NL
- ※ For detail of RoHS Compliance, please refer to Page 55



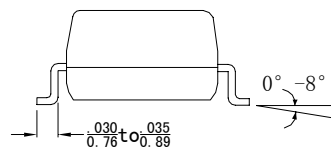
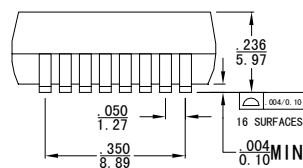
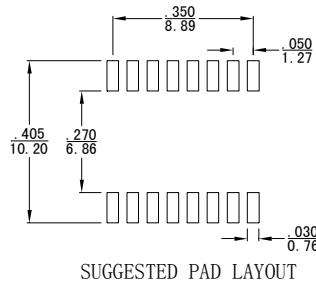
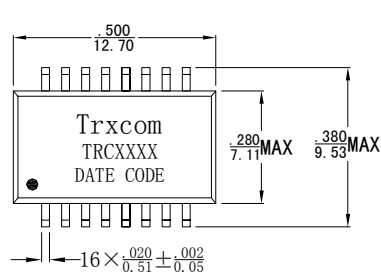
Electrical Specifications @25°C --- Operating Temperature 0°C to 70°C

Part Number	Turns Ratio		Insertion Loss 100KHz ---100MHz (dB MAX)	Return Loss (dB TYP)			Differential to Common Mode Rejection (dB TYP)			Crosstalk (dB TYP)			Hipot (Vrms MIN)
	TX	RX		30MHz	60MHz	80MHz	30MHz	50MHz	100 MHz	30MHz	60MHz	100MHz	
TRC1100	2:1	1:1	-1.1	-20	-14	-11.5	-42	-37	-33	-45	-40	-35	1500
TRC1101	1.25:1	1:1	-1.1	-20	-14	-11.5	-42	-37	-33	-45	-40	-35	1500
TRC1102	1:1	1:1	-1.1	-20	-14	-11.5	-42	-37	-33	-45	-40	-35	1500
TRC1104	1:1	1:1	-1.0	-20	-14	-14	-42	-35	-33	-50	-40	-40	1500
TRC1108	1:1	1:1	-1.1	-20	-14	-11.5	-42	-37	-33	-45	-40	-35	1500
TRC1121	1:1.414	1:1	-1.1	-18	-12	-11.5	-42	-37	-30	-45	-40	-35	1500
TRC1141	1:1	1:1	-1.0	-18	-13	-12	-50	-40	-35	-50	-40	-35	1500
TRC1183	1:1	1:1	-1.0	-18	-14	-12	-40	-40	-40	-35	-35	-35	1500
TRC1199	1:1	1:1	-0.9	-18	-12	-11	-40	-35	-30	-45	-45	-37	1500
TRC1011	1:1	1:1	-1.1	-18	-12	-11	-40	-40	-35	-50	-40	-35	1500
TRC9016	1:1	1:1	-1.0	-16	-12	-10	-42	-37	-35	-45	-40	-35	1500
TRC1188*	1:1	1:1	-1.0	-20	-14	-12	-42	-37	-32	-45	-40	-35	1500
TRC1198*	1:1	1:1	-1.0	-20	-14	-12	-42	-37	-32	-45	-40	-35	1500

*.Operating temperature -40°C to +85°C

Mechanicals

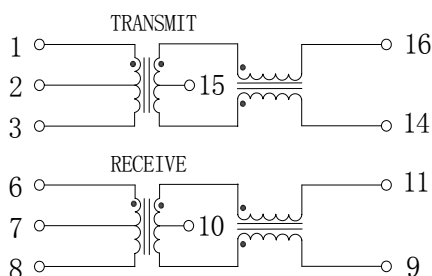
TRC110X, TRC112X, TRC1183, TRC1199, TRC1141, TRC1011, TRC9016, TRC1188, TRC1198



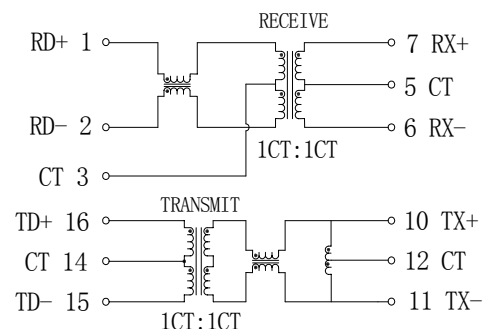
Dimensions: Inches
Unless otherwise specified,
all tolerances are ± 0.25

Schematics

TRC1100, TRC1101, TRC1102, TRC1121, TRC1188



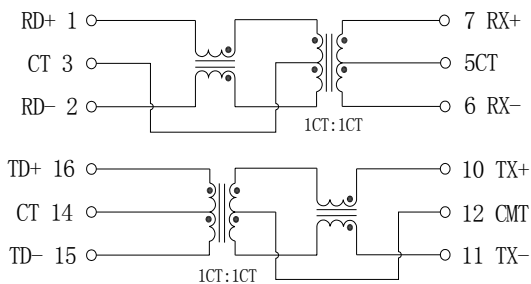
TRC1104



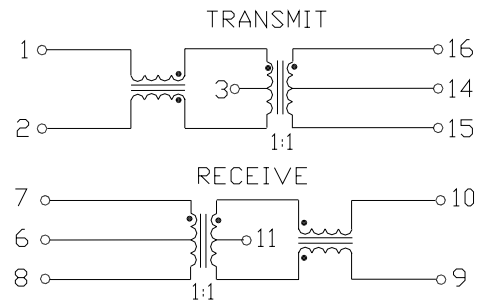
10/100Base-T Single Port Transformers Modules

Trxcom Technology Inc

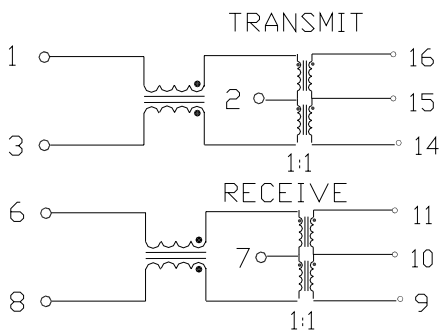
TRC1108



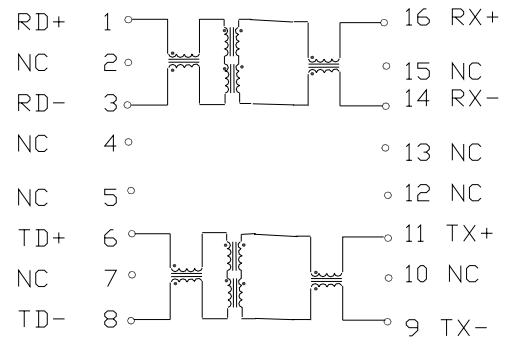
TRC1199



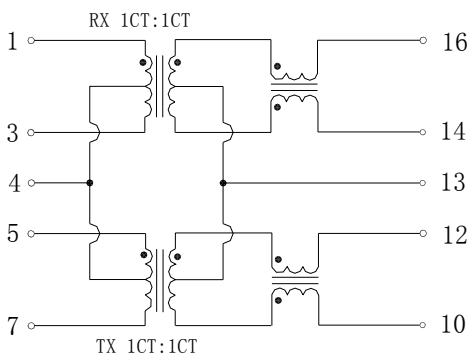
TRC1198, TRC1183



TRC1141



TRC1011



TRC9016

