



深圳市矽源特科技有限公司
ShenZhen ChipSourceTek Technology Co.,Ltd.

TRSF1604A(C)

Data Sheet

V1.5

256K Embedded Flash

Hi-Performance 16-bit Speech Processor



TRSF1604A(C) 16-bit Speech Processor

| | |
|--|----|
| 1. General Description | 2 |
| 2. Features..... | 3 |
| 3. Application Field..... | 5 |
| 4. Block Diagram..... | 5 |
| 4.1 Pin Assignments /Description..... | 6 |
| 5. Function Descriptions..... | 7 |
| 5.1 TxP16S2 | 7 |
| 5.2 TxP16S2 Registers | 7 |
| 5.2.1 Special Registers..... | 8 |
| 5.2.2 Common I/O Registers | 9 |
| 5.2.3 Basic System Registers | 10 |
| 5.3 PC Stack | 14 |
| 5.4 Interrupt | 15 |
| 5.4.1 Interrupt Vector Table..... | 15 |
| 5.4.2 Interrupt Controller..... | 15 |
| 5.4.3 Interrupt Processing..... | 16 |
| 5.5 MAC (16-bit X 16-bit Multiplier and Accumulator) | 17 |
| 6. Memory Configuration..... | 19 |
| 6.1 Internal Program/Parameter Memory..... | 19 |
| 6.2 Internal Data Working SRAM..... | 19 |
| 6.3 Data Stack..... | 20 |
| 7. Peripherals..... | 21 |
| 7.1 Programmable Timers..... | 21 |
| 7.1.1 Audio PWM Timer..... | 21 |
| 7.1.2 Timer1 & Timer2 | 21 |
| 7.1.3 RTC(Real Time Clock) Timer | 22 |
| 7.2 General Purpose I/O Ports..... | 23 |
| 7.3 Extension Device | 25 |
| 7.3.1 SPI Master Controller | 25 |
| 7.3.2 PortA3 for IR 38KHz Modulation..... | 27 |
| 7.3.3 Touch Controller..... | 28 |
| 7.4 Audio Output | 30 |
| 7.4.1 Mono 16-bit PWM Output | 30 |
| 7.4.2 Mono 16-bit DAC Output..... | 30 |
| 7.4.3 DAC Interpolation Control..... | 30 |
| 7.5 Auto-FIFO | 32 |
| 8. Flash Control..... | 33 |
| 8.1 Flash Structure..... | 33 |



TRSF1604A(C) 16-bit Speech Processor

| | |
|--|----|
| 8.2 Flash Sector Erase | 33 |
| 8.3 Flash Word Programming | 33 |
| 8.4 Flash Word Read | 34 |
| 8.5 Flash unlock/lock for Programming/Erase instruction | 34 |
| 9. Others | 35 |
| 9.1 Dynamic System Clock | 35 |
| 9.2 Low Voltage Detector | 35 |
| 9.3 2 channel comparators and a two stage OPA with class AB output | 36 |
| 9.4 Microphone with AGC(Auto Gain Control) | 38 |
| 10. System Control | 40 |
| 10.1 Halt Mode & Wake up | 40 |
| 10.2 Watch Dog Timer Reset (WDT) | 40 |
| 10.3 Low Voltage Reset | 40 |
| 10.4 Reset System..... | 40 |
| 10.5 Clock System Architecture | 41 |
| 11. Electrical Characteristics | 42 |
| 11.1 Absolute Maximum Rating..... | 42 |
| 11.2 DC/AC Characteristics | 42 |
| 12. Application Circuit | 43 |
| 13. Appendix: | 44 |
| 14. Package: SOP8 / SOP16-2 / SOP16-3 / SSOP24 / SSOP24-2 | 46 |
| PACKAGE INFORMATION | 47 |
| 15. SPI Operation Sequence: | 50 |
| 16. Revision history | 52 |



1. TRSF1604A(C) General Description

The **TxP16S2™** is a high performance 16-bit MCU, running up to 32MHz and provided with 256K FLASH and total 4K SRAM for high performance process of audio algorithm. It is the new generation computational kernel for Flash Speech series. It has initially aimed at the areas of speech application to demonstrate its profession. TxP16S2 furnish with a fast unit, which allows calculation instructions to be issued with access memory simultaneously during one cycle. The TRSF1604A(C) is equipped with TxP16S2 and integrating input/output ports, Audio PWM/DAC, Timer and Low Voltage Reset...etc on a chip.

Furthermore, TRSF1604A(C) extend its external device connection capability such as Serial ROM/Flash. The internal memory capacity includes 256Kx16 program/data FLASH plus 4Kx16 working SRAM.



TRSF1604A(C) 16-bit Speech Processor

2. TRSF1604A(C) Features

- ◆ **Notice: TRSF1604C only supports SOP16-3 and SSOP24-2 packages.**
- ◆ **Notice: TRSF1604A(C) do not support ultra-deep sleep.**
- ◆ **Notice: PortC2 are forbidden to be connected with VCC or pull-up resistance.**
- ◆ **Notice: TRSF1604A(C) does not support buzzer and speaker wake up, so MISC1 bit10, MISC2 bit 12 and MISC2 bit14 should be set to 0.**
- ◆ High-performance RISC TxP16S2 CPU
 - wide working frequency and voltage 8Mhz ~32Mhz@1.8Volt ~ 5.5Volt
 - Operation frequency is programmable by Software
 - Built-in 4096x16 SRAM
 - Embedded PC Stack Level 16
- ◆ Rich DSP function
 - Hardware Circular Buffer support
 - MAC Computation power : 32 MIPS (max.)
 - Multi-Function Support: In MAC calculation, simultaneously access two operands from memory in one cycle
 - Extend Dynamic Range: A 40-bit accumulator to ensure in 512 successive multiple+additions no overflows
- ◆ Embedded Flash 256Kx16
 - Typical 1,000 erase/program cycles
 - Greater than 10 years Data Retention
- ◆ Software-based audio processing technical
 - Subband , ADPCM , Melody
- ◆ Support 20+2(ICE PAD can be as I/O) general purpose I/O port.
- ◆ Mono 16bit PWM or 16bit DAC
- ◆ 6 IRQ include 2 external interrupt
- ◆ SPI Master interface
- ◆ Three timers: Timer1, Timer2, RTC timer
- ◆ Support Spread Spectrum clocking to reduce EMI.
- ◆ Watch dog timer (WDT)
- ◆ Low voltage reset (LVR)
- ◆ PB0, PB1, PB2, PB3 support two edge modes for wake-up function are rising and falling edge trigger.
- ◆ 2 channel comparators and a two stage OPA with class AB output
- ◆ Microphone with AGC(Auto Gain Control)
- ◆ IR
- ◆ Touch with BG Pre-Charge
- ◆ Low voltage detector
- ◆ **Notice: VCC Decoupling Cap 10uF should be close to IC within 0.5cm.**
- ◆ **Notice: VCC Decoupling Cap 0.1uF should be close to IC within 0.5cm.**



TRSF1604A(C) 16-bit Speech Processor

- ◆ Notice: The width of VCC and VSS power line should be greater than 30 mil in PCB layout.
- ◆ Notice: Special I/O PortC2 will cause LED flashing light when power on.
- ◆ PortA4 and PortA5 are not supported touch function.

- ◆ Notice: PortC2 / PortC6 / PortC7 are forbidden to be directly connected to inductive components. For example, motors and coils, etc.
- ◆ Notice: PWM / DAC are forbidden to be connected to 4Ω speaker.

- ◆ TRSF16256A 和 TRSF1604A(C) 的差異如下:
 - TRSF1604A(C)的 I/O 增加 PortA4 和 PortA5。
 - TRSF1604A(C) 的 Touch 功能支援 BG Pre-Charge
 - TRSF1604A(C) 的 Microphone 增加 PGA gain boost(GBB)
 - TRSF1604A(C) 的 LVR 改為 8 種不同電壓，1.7V / 1.8V / 1.9V / 2.0V / 2.1V / 2.2V / 2.3V / 2.4V。
 - TRSF1604A(C) 的電壓工作範圍 1.8V~5.5V
 - TRSF1604A(C) 不支援 Deep sleep 功能
 - TRSF1604A(C) 的 PWM 可以調整趨動電流
 - TRSF1604A(C) 的 PortC2 和 PortC6 和 PortC7 禁止接電感性元件，例如馬達、線圈。
 - TRSF1604A(C)的 PWM / DAC 輸出 禁止接 4Ω 喇叭。
 - TRSF1604A(C)支援比較器錄音。
- ◆ TRSF1604A(C)的 PortA4 和 PortA5 不支援 Touch 功能
- ◆ 因為 TRSF16256A 沒有 PortA4 和 PortA5，所以如果從 TRSF16256A 的程式直接轉到 TRSF1604A(C)，需要注意 PortA4 和 PortA5 的設定。例如進入 sleep mode 時，要把 PortA4 和 PortA5 設定為 input 加 pull down R，以免漏電。



TRSF1604A(C) 16-bit Speech Processor

3. TRSF1604A(C) Application Field

- MCU Application
- Electronic Dictionary
- Handheld Games
- Electronic Learning Aid (ELA)
- Electronics storybook

4. TRSF1604A(C) Block Diagram

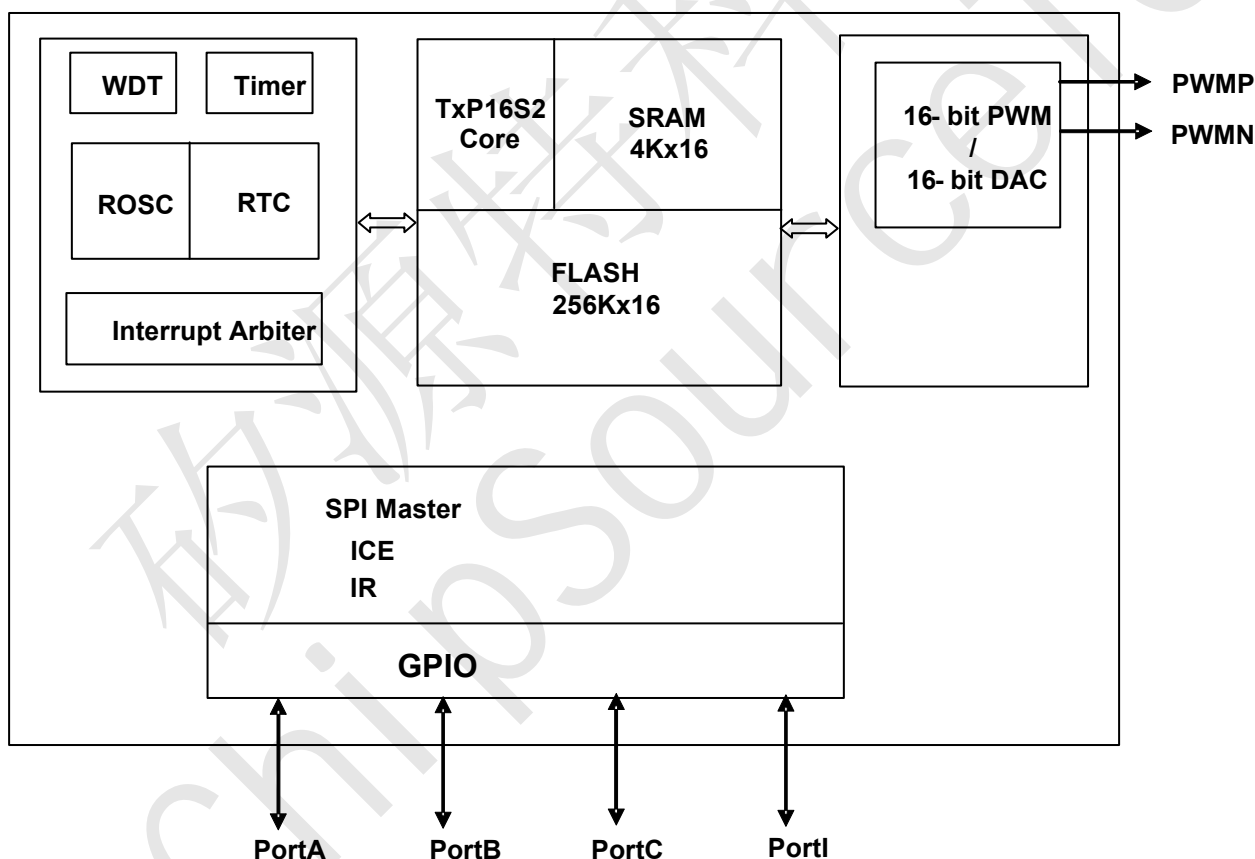


Figure 4.1



TRSF1604A(C) 16-bit Speech Processor

4.1 Pin Assignments /Description

| Pin Name | I/O | State after RESET | FUNCTIONS |
|--------------------------|-----|-------------------|---|
| Chip Power | | | |
| VCC | I | High | Chip Power Input |
| VSS | I | Low | Digital Ground |
| VPD | I | High | PWM IO PAD Power Input |
| VPS | I | Low | PWM IO PAD Ground |
| General Purpose I/O Port | | | |
| PortA[5:0] | I/O | Low | PortA is programmable Input/Output port |
| PortB[5:0] | I/O | Low | PortB is programmable Input/Output port |
| PortC[7:0] | I/O | Low | PortC is programmable Input/Output port PortC[2] is programmable Input/Output port when not connected to ICE ICE_VPP: PortC[2] is embedded ICE VPP pin when connected to ICE Probe. |
| PortI[1]/ ICE_SCLK | I/O | Low | PortI[1] is programmable Input/Output port when not connected to ICE Probe. Internal pull-down R (50K ohm) will be enable at ICE mode. ICE_SCLK: PortI[1] is embedded ICE clock pin when connected to ICE Probe. |
| PortI[0]/ ICE_SD | I/O | Low | PortI[0] is programmable Input/Output port when not connected to ICE Probe. Internal pull-down R (50K ohm) will be enable at ICE mode. ICE_SD: PortI[0] is embedded ICE data pin when connected to ICE Probe. |
| PWM Audio | | | |
| PWMP | O | Low | Digital PWM output(+) / Analog DAC output(+) |
| PWMN | O | Low | Digital PWM output(-) / Analog DAC output(-) |

- ◆ Notice: Special I/O PortC2 will cause LED flashing light when power on.
- ◆ Notice: PortC2 are forbidden to be connected with VCC or pull-up resistance.



TRSF1604A(C) 16-bit Speech Processor

5. TRSF1604A(C) Function Descriptions

5.1 TxP16S2

As shown in the block diagram in Figure 4.1, the TxP16S2 is a 16-bit data width processing capability and all instructions are operated in one cycle except parameter data ROM(PM) access. The TxP16S2 not only provides general arithmetic such as addition, subtraction, shifter, normalize, and other logical operations, but it also involves circular buffer operations for complexity digital signal processing.

5.2 TxP16S2 Registers

The TxP16S2 contains of register files are illustrated below:

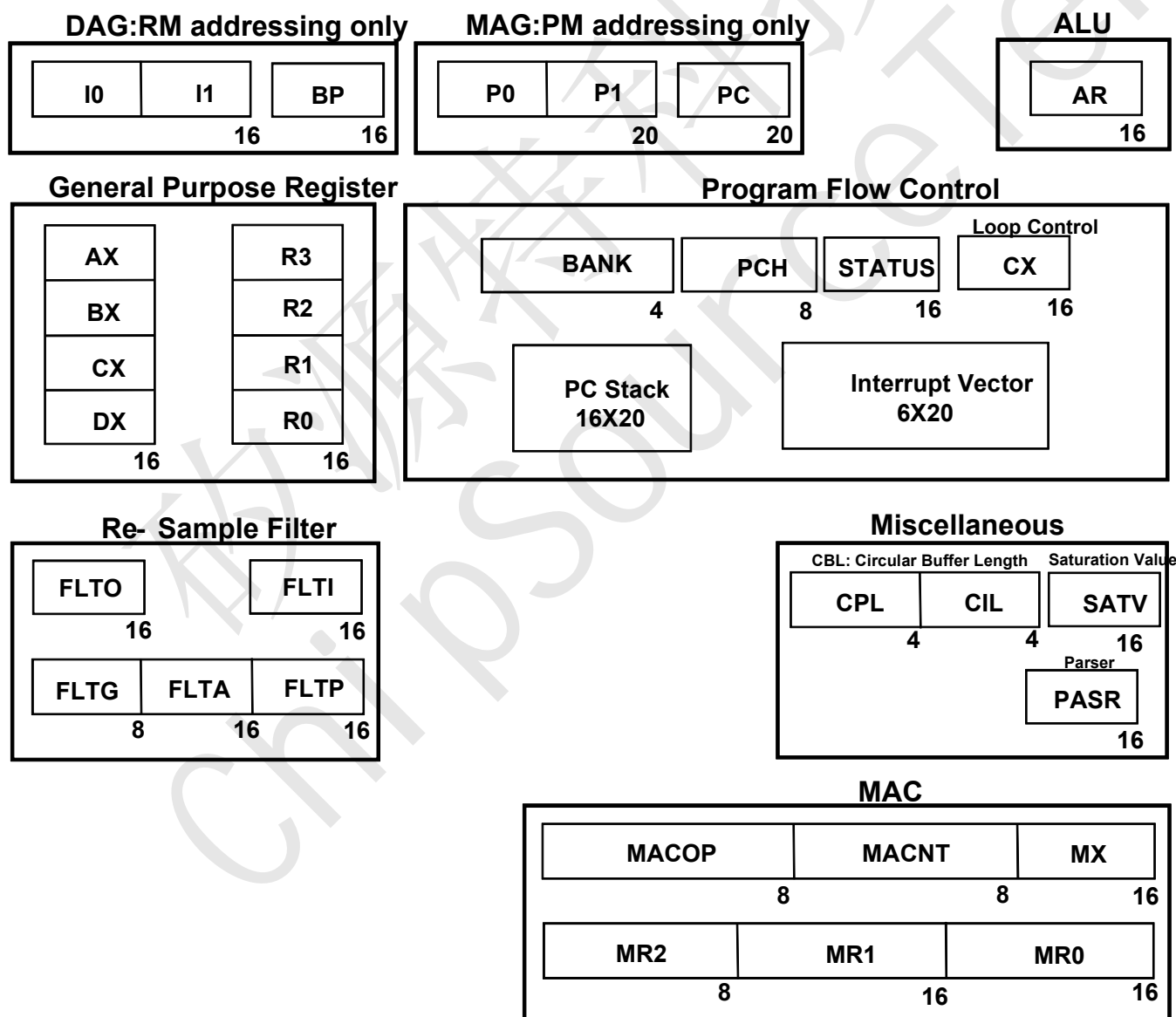


Figure 5.1 TxP16S2 Processor Core Registers



TRSF1604A(C) 16-bit Speech Processor

REGISTER FILES DEFINE:

AR: Accumulator Register

I0: Index 0 Register

I1: Index 1 Register

BP: Base Pointer Register

P0: Pointer 0 Register

P1: Pointer 1 Register

MACOP: MAC Operation Register

MACNT: MAC Operation Loop Counter

MX: MUL/MAC Input X Register

MR0: MUL/MAC Result Register 0

MR1: MUL/MAC Result Register 1

MR2: MUL/MAC Result Register 2

AX: General AX Register

BX: General BX Register

CX: General CX Register

DX: General DX Register

R0: General R0 Register

R1: General R1 Register

R2: General R2 Register

R3: General R3 Register

CBL: Circular Buffer Length Register

PASR: Parser Register

5.2.1 Special Registers

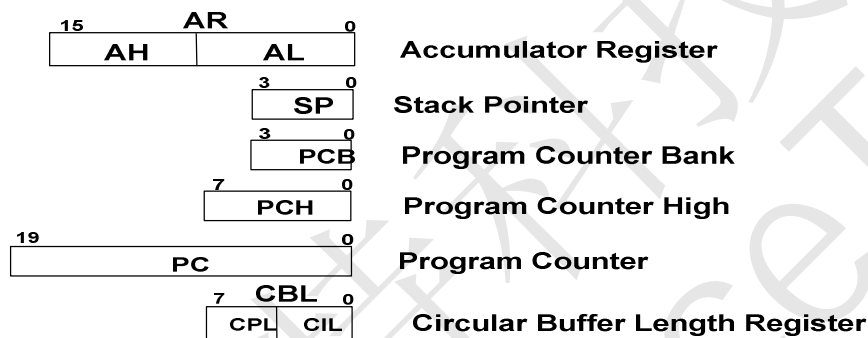


Figure 5.2 TxP16S2 Special Registers

● Accumulator Register

The AR is a general-purpose 16-bit register that stores the result of last arithmetic or logical operation. In addition, any data write to AR will affect the status flag.

● Stack Pointer

The SP is a 4-bit register that is for addressing Stack position. The SP will automatically increment / decrement cause by instruction "CALL" / "RETS", and more detail revealed as the "PC Stack" section.

● Program Counter Bank

The program memory map is divided into 16 banks by PCB register (Program Counter Bank). From BANK8 to BANK14 are system reserved. From BANK0 to BANK7 are implemented as Flash memory. The BANK15 is implemented as static RAM.

● Program Counter High

The instruction "LJMP" and "LCALL" will refer PCH and PCB registers to compose of 20-bit pointer provides the 16x64K words PM addressing range.

● Program Counter

The 20-bit PC register provides 16x64K-word addressing capability. It is responsible for MCU fetch now executing instruction.

● Circular Buffer Length Register

Many algorithms such as convolution, correlation, and digital filter require the circular data buffers. The TxP16S2 supports circular buffer operating via the I0 vs. CIL and P0 vs. CPL. The modulus logic implements automatic modulus addressing for accessing RM/PM circular buffer data.



TRSF1604A(C) 16-bit Speech Processor

5.2.2 Common I/O Registers

The TxP16S2 involves 32 common I/O registers are shown in Table 5.1. There are defined the peripheral IO control and system register.

| Symbol | Adr | Reset | RW | B15/b7 | b14/b6 | b13/b5 | b12/b4 | B11/b3 | B10/b2 | b9/b1 | b8/b0 | Description |
|--------------------------|-----|-------|-----|-----------------------------|-------------|----------------|-----------------|------------------|------------------|----------------|----------------|---------------------------------------|
| STATUS.L | 00H | 20 | R/W | INTEN | - | - | AQ | AN | AV | AC | AZ | System Status Flag |
| STATUS.H | 00H | 00 | R/W | PA | FA | IntVWR | - | - | - | - | SPIM EN | |
| INTENA.L | 01H | 00 | R/W | - | - | ENA5 | ENA4 | ENA3 | ENA2 | ENA1 | ENA0 | Interrupt Enable |
| INTENA.H | 01H | 00 | R/W | - | - | - | - | - | - | - | - | |
| INTREQ.L | 02H | 00 | R/W | - | - | Req5 | Req4 | Req3 | Req2 | Req1 | Req0 | Interrupt Request |
| INTREQ.H | 02H | 00 | R/W | - | - | - | - | - | - | - | - | |
| IntVect | 03H | XX | R/W | IntVect[5:0] | | | | | | | | Interrupt Vector access Window |
| IOC_PA | 04H | 00 | R/W | IOC_PA[5:0] | | | | | | | | "1" = out, "0" = in of related PA bit |
| IOC_PB | 05H | 00 | R/W | IOC_PB[5:0] | | | | | | | | "1" = out, "0" = in of related PB bit |
| IOC_PCI.L | 06H | 00 | R/W | IOC_PC[7:0] | | | | | | | | "1" = out, "0" = in of related PC bit |
| IOC_PCI.H | 06H | 00 | R/W | IOC_PI[1:0] | | | | | | | | "1" = out, "0" = in of related PI bit |
| PortA | 07H | XX | R/W | PortA[5:0] | | | | | | | | Read: in port Write: out port |
| PortB | 08H | XX | R/W | PortB[5:0] | | | | | | | | Read: in port Write: out port |
| PortCI.L | 09H | XX | R/W | PortC[7:0] | | | | | | | | Read: in port Write: out port |
| PortCI.H | 09H | XX | R/W | PortI[1:0] | | | | | | | | Read: in port Write: out port |
| INTMASK.L | 0AH | 00 | R/W | - | - | Mask5 | Mask4 | Mask3 | Mask2 | Mask1 | Mask0 | Interrupt Mask |
| INTMASK.H | 0AH | 00 | R/W | - | - | - | - | - | - | - | - | |
| Reserve | 0BH | XX | W | | | | | | | | | |
| Reserve | 0CH | XX | XX | | | | | | | | | |
| Reserve | 0DH | XX | XX | | | | | | | | | |
| Reserve | 0EH | XX | XX | | | | | | | | | |
| Reserve | 0FH | XX | XX | | | | | | | | | |
| Reserve | 10H | XX | XX | | | | | | | | | |
| Reserve | 11H | XX | XX | | | | | | | | | |
| Reserve | 12H | XX | XX | | | | | | | | | |
| Reserve | 13H | XX | XX | | | | | | | | | |
| Reserve | 14H | XX | XX | | | | | | | | | |
| Reserve | 15H | XX | XX | | | | | | | | | |
| Audio-PWM / Audio-DAC | 16H | XX | W | Audio-PWM / Audio-DAC[15:0] | | | | | | | | PWM / DAC Audio Channel |
| Reserve | 17H | XX | W | | | | | | | | | |
| MISC5.L | 18H | 00 | R/W | THO | LVDO | CMP2 TIMER2 | CMP1 TIMER1 | CMP2_I NT_INV | CMP1_I NT_INV | CMP2 INT_EN | CMP1 INT_EN | System Miscellanea register #5 |
| MISC5.H | 18H | 00 | R/W | InterPLY_FREQ_DIV | | | | | | | | |
| MISC4.L | 19H | 00 | R/W | TOUCH REALT | TINT _EN | TIS | | SVT | THEN | PREC | - | System Miscellanea register #4 |
| MISC4.H | 19H | 00 | R/W | DAC_ Bypass | DAC_OG | | InterPL Y_EN | Tone_ Mode | InterPLY_FUN | | | |
| MISC3.L | 1AH | 00 | R/W | D2ENB | LVDEN | PC7 _ALG | PC6 _ALG | PC5 _ALG | PC4 _ALG | PC2 _ALG | PA0 _ALG | System Miscellanea register #3 |
| MISC3.H | 1AH | 00 | R/W | CMPO2 | CMPO1 | LVD | | | | | | |
| MISC2.L | 1BH | 00 | R/W | CMP2E N | CMP1E N | OFT_SEL | | GBB | - | - | | System Miscellanea register #2 |
| MISC2.H | 1BH | 00 | R/W | ENAVS | BUZEN | PGAEN | 0 | RECEN | OPEN | 0 | DISPUR | |
| MISC1.L | 1CH | 00 | R/W | TCS | DAC _EN | PWM MUTE | DAC_ MUTEB | RC RST | EXRST | LVR | WDT | System Miscellanea register #1 |
| MISC1.H | 1CH | 00 | R/W | CLR_ RealT | - | - | RTC WAKE | IR_EN | 0 | PWM _EN | MODX | |
| RealT | 1DH | XX | R | RealT[15:0] | | | | | | | | RealT register |
| ClrWDT | 1DH | XX | W | | | | | | | | | Clear WDT |
| IOP_IX | 1EH | XX | W | IOPIX[7:0] | | | | | | | | Programming IO Port index |
| IOP_DAT | 1FH | XX | W | IOPD[15:0] | | | | | | | | Programming IO Port Data |

Table 5.1 Common I/O registers



TRSF1604A(C) 16-bit Speech Processor

5.2.3 Basic System Registers

◆STATUS register

| Symbol | Adr | Reset | RW | b15/b7 | b14/b6 | b13/b5 | b12/b4 | b11/b3 | B10/b2 | b9/b1 | b8/b0 | Description |
|----------|-----|-------|-----|--------|--------|--------|--------|--------|--------|-------|---------|--------------------|
| STATUS.L | 00H | 20 | R/W | INTEN | - | - | AQ | AN | AV | AC | AZ | System Status Flag |
| STATUS.H | 00H | 00 | R/W | PA | FA | IntVWR | - | - | - | - | SPIM_EN | |

The Status register provides two main functions, the first system flag holds the status information generated by the computational blocks of the TxP16S2, which used for program sequencer control. The second indicated that special function of hardware module is enable or not.

For program flow control:

| System Flag | Definition |
|-------------|------------------------------------|
| AZ | ALU or AR Result Zero |
| AN | ALU or AR Result Negative |
| AV | ALU Overflow |
| AC | ALU Carry |
| PA | Parser Queue available(Read only) |
| FA | Filter buffer available(Read only) |

System hardware control:

| System Flag | Definition |
|-------------|--|
| INTEN | System global interrupt control bit |
| IntVWR | Interrupt Vector Table access window control bit |
| SPIM_EN | SPI master interface control bit |

- ◆ Address 01H, 02H and 0AH: Interrupt control registers, the detail are illustrated in Interrupt section.
- ◆ Address 04H~15H: GPIO registers, the detail are illustrated in GPIO section.
- ◆ Address 16H: Audio-PWM control registers, the detail are illustrated in AUDIO section.

◆System Miscellanea register #1

| Symbol | Adr | Reset | RW | b15/b7 | b14/b6 | b13/b5 | b12/b4 | b11/b3 | B10/b2 | b9/b1 | b8/b0 | Description |
|---------|-----|-------|-----|-----------|--------|----------|-----------------------|--------|--------|--------|-------|--------------------------------|
| MISC1.L | 1CH | 00 | R/W | TCS | DAC_EN | PWM_MUTE | DAC_MUTE _B | RC_RST | EXRST | LVR | WDT | System miscellanea register #1 |
| MISC1.H | 1CH | 00 | R/W | CLR_RealT | - | - | RTC_WAKE | IR_EN | 0 | PWM_EN | MODX | |

| Item | Description |
|--------------|--|
| Clr_RealT | Set high to clear 32-bit RealT timer. (this bit only for TCS=1) |
| RTC_WAKE | RTC Wake Up Flag (Read Only) |
| IR_EN | IR 38K Enable |
| PWM_EN | Audio PWM enable |
| MODX | MODX=0 is chosen narrowband sound-effect filter. MODX =1 is chosen wideband sound-effect filter. Actual bandwidth is dependent on source signal sample-rate. |
| TCS (Note2*) | Enable RealT Timer |
| DAC_EN | Audio DAC enable |
| PWM_MUTE | Audio PWM mute enable |



TRSF1604A(C) 16-bit Speech Processor

| | |
|-----------------|--------------------------------------|
| DAC_MUTE_B | Audio DAC mute enable |
| RC_RST (Note1*) | System Reset from internal RC reset |
| EXRST | System Reset from external reset pin |
| LVR | System Reset from low voltage reset |
| WDT | System Reset from watch dog reset |

Note1: RC_RST, EXRST, LVR will clear WDT bits, except for WDT is set to 1. All of the reset status bits can be set or cleared in software. Setting one of these bits in software does not cause a device reset.

Note2: If programmer read the "RealT" register, it can get 32-bit timer based on 30.517ns(32.768MHz). An example is shown as follows. Address 1DH: RealT register.

```
io[RealT] = ar          ; write to reset the state machine of 32-bit real timer.
ar         = io[RealT]  ; read low-word timer[15:0]
ar         = io[RealT]  ; read high-word timer[31:16]
```

◆ System Miscellanea register #2

| Symbol | Adr | Reset | RW | b15/b7 | b14/b6 | b13/b5 | b12/b4 | b11/b3 | B10/b2 | b9/b1 | b8/b0 | Description |
|---------|-----|-------|-----|------------|------------|---------|--------|--------|--------|-------|--------|--------------------------------|
| MISC2.L | 1BH | 00 | R/W | CMP2E N | CMP1E N | OFT_SEL | | GBB | - | - | - | System miscellanea register #2 |
| MISC2.H | 1BH | 00 | R/W | ENAVS | BUZEN | PGAEN | 0 | RECEN | OPEN | 0 | DISPUR | |

| Item | Description |
|---------|---|
| ENAVS | Mic OP grounding to VPS |
| BUZEN | Default:0 , AGC enable |
| PGAEN | Default:0 , Programmable Gain Amplifier |
| RECEN | Default:0 , Microphone Enable |
| OPEN | Default:0 , |
| DISPUR | Default:0 , |
| CMP2EN | Default:0 , Comparator 2 Enable |
| CMP1EN | Default:0 , Comparator 1 Enable |
| OFT_SEL | Default:0 , Microphone Gain 0:50, 1:100, 2:150, 3:200 |
| GBB | Default:0 , GBB=0 for PGA gain boost |

◆ System Miscellanea register #3

| Symbol | Adr | Reset | RW | b15/b7 | b14/b6 | b13/b5 | b12/b4 | b11/b3 | B10/b2 | b9/b1 | b8/b0 | Description |
|---------|-----|-------|-----|--------|--------|------------|------------|------------|------------|------------|------------|--------------------------------|
| MISC3.L | 1AH | 00 | R/W | D2ENB | LVDEN | PC7 ALG | PC6 ALG | PC5 ALG | PC4 ALG | PC2 ALG | PA0 ALG | System miscellanea register #3 |
| MISC3.H | 1AH | 00 | R/W | CMPO2 | CMPO1 | - | LVD | | | | | |

| Item | Description |
|---------|--|
| CMPO2 | Comparator 2 Output (Read Only) |
| CMPO1 | Comparator 1 Output (Read Only) |
| LVD | Default:0 , LVD voltage 1.8~ 2.98V for D2ENB=0(each step~ 40mV), 2.7V~4.47V for D2ENB=1(each step~ 60mV) |
| D2ENB | Default:0 , VCC divide 2 for LVD input |
| LVDEN | Default:0 , LVD Enable |
| PC7_ALG | Set PortC7 to Analog PIN |
| PC6_ALG | Set PortC6 to Analog PIN |
| PC5_ALG | Set PortC5 to Analog PIN |
| PC4_ALG | Set PortC4 to Analog PIN |
| PC2_ALG | Set PortC2 to Analog PIN |
| PA0_ALG | Set PortA0 to Analog PIN |



TRSF1604A(C) 16-bit Speech Processor

◆ System Miscellanea register #4

| Symbol | Adr | Reset | RW | b15/b7 | b14/b6 | b13/b5 | b12/b4 | b11/b3 | B10/b2 | b9/b1 | b8/b0 | Description |
|---------|-----|-------|-----|----------------|------------|--------|-----------------|---------------|--------------|-------|-------|--------------------------------|
| MISC4.L | 19H | 00 | R/W | TOUCH REALT | TINT EN | TIS | | SVT | THEN | PREC | - | System miscellanea register #4 |
| MISC4.H | 19H | 00 | R/W | DAC_ Bypass | DAC_OG | | InterPLY_ EN | Tone_ Mode | InterPLY_FUN | | | |

| Item | Description |
|--------------|--|
| DAC_Bypass | Bypass DAC input function 0:disable(default) 1:enable |
| DAC_OG | Default:0, DAC output gain = 1 |
| InterPLY_EN | 0:DAC Interpolation disable 1: DAC Interpolation enable |
| Tone_Mode | 0:TONE disable 1:TONE enable |
| InterPLY_FUN | 0:DAC Interpolation disable 1: DAC Interpolation 8 point 2:DAC Interpolation 16 point 3: DAC Interpolation 32 point |
| TOUCH_REALT | Touch with Real-T function 0:disable & clear real-T stop flag 1:enable |
| TINT_EN | Touch INT Enable |
| TIS | Touch I/O Port input select , 00: NA, 01:PortA, 10: NA, 11:PortC |
| SVT | Touch SVT , 0: 1/4*VCC, 1: 1/2*VCC |
| THEN | Touch Enable |
| PREC | Touch Pre-charge 1.5V |

◆ System Miscellanea register #5

| Symbol | Adr | Reset | RW | b15/b7 | b14/b6 | b13/b5 | b12/b4 | b11/b3 | B10/b2 | b9/b1 | b8/b0 | Description |
|---------|-----|-------|-----|-------------------|--------|-----------------|-----------------|------------------|------------------|-----------------|-----------------|--------------------------------|
| MISC5.L | 18H | 00 | R/W | THO | LVDO | CMP2_ TIMER2 | CMP1_ TIMER1 | CMP2_ INT_INV | CMP1_ INT_INV | CMP2_ INT_EN | CMP1_ INT_EN | System Miscellanea register #5 |
| MISC5.H | 18H | 00 | R/W | InterPLY_FREQ_DIV | | | | | | | | |

| Item | Description |
|-------------------|---|
| InterPLY_FREQ_DIV | System Frequency Divisor for DAC interpolation, Default:0 |
| THO | TOUCH Output (Read Only) |
| LVDO | LVD Output (Read Only) |
| CMP2_TIMER2 | Comparator 2 with Timer2 function 0:disable & clear Timer2 stop flag 1:enable |
| CMP1_TIMER1 | Comparator 1 with Timer1 function 0:disable & clear Timer1 stop flag 1:enable |
| CMP2_INT_INV | Comparator 2 INT Inverse |
| CMP1_INT_INV | Comparator 1 INT Inverse |
| CMP2_INT_EN | Comparator 2 INT Enable |
| CMP1_INT_EN | Comparator 1 INT Enable |



TRSF1604A(C) 16-bit Speech Processor

◆ Virtual Programming IO

| Symbol | Adr | Reset | RW | b15/b7 | b14/b6 | b13/b5 | b12/b4 | b11/b3 | B10/b2 | b9/b1 | b8/b0 | Description | |
|----------|-----|-------|----|------------|--------|--------|--------|--------|--------|--------|--------|---------------------------|--------------------------|
| VIO_IX | 1EH | XX | W | - | - | - | IOPIX4 | IOPIX3 | IOPIX2 | IOPIX1 | IOPIX0 | Programming IO Port index | |
| VIO_DATA | 1FH | XX | W | IOPD[15:0] | | | | | | | | | Programming IO Port Data |

Table 5.2 Virtual Programming IO

The operation steps of these group register, first select virtual IO port index then write data to programming IO port.

Virtual Programming IO Port

| Symbol | Adr | Reset | RW | b15/b7 | b14/b6 | b13/b5 | B12/b4 | b11/b3 | B10/b2 | b9/b1 | b8/b0 | Description |
|--------------|-----|-------|----|----------------------|--------|--------|--------|--------|--------|-----------------|-----------------|--|
| Timer1 | 00H | 00 | W | Timer0 | | | | | | | | Timer1 |
| Timer1 | 00H | 00 | R | Current Timer1 Value | | | | | | | | |
| Timer2 | 01H | 00 | W | Timer1 | | | | | | | | Timer2 |
| Timer2 | 01H | 00 | R | Current Timer2 Value | | | | | | | | |
| RTCTimer | 02H | 00 | RW | RTCTimer | | | | | | | | RTC Timer |
| FetchCNT | 03H | 00 | W | - | - | - | - | - | - | Fetch Timer2 | Fetch Timer1 | Fetch Timer1/2 Current Value |
| Reserve | 04H | - | - | | | | | | | | | |
| PA_PD50K | 05H | 00 | W | PA_PD50K[5:0] | | | | | | | | PortA Pull Down 50K Enable |
| PB_PD50K | 06H | 00 | W | PB_PD50K[5:0] | | | | | | | | PortB Pull Down 50K Enable |
| PCI_PD50K.L | 07H | 00 | W | PC_PD50K[7:0] | | | | | | | | PortCI Pull Down 50K Enable |
| PCI_PD50K.H | 07H | CO | W | PI_PD50K[1:0] | - | - | - | - | - | - | - | PortCI Pull Down 50K Enable (PortI default : Enable PD50K) |
| PA_PD220K | 08H | 00 | W | PA_PD220K[5:0] | | | | | | | | PortA Pull Down 220K Enable |
| PB_PD220K | 09H | 00 | W | PB_PD220K[5:0] | | | | | | | | PortB Pull Down 220K Enable |
| PCI_PD220K.L | 0AH | 00 | W | PC_PD220K[7:0] | | | | | | | | PortCI Pull Down 220K Enable |
| PCI_PD220K.H | 0AH | 00 | W | PI_PD220K[1:0] | - | - | - | - | - | - | - | PortCI Pull Down 220K Enable |
| PA_PD1M | 0BH | 00 | W | PA_PD1M[5:0] | | | | | | | | PortA Pull Down 1M Enable |
| PB_PD1M | 0CH | 00 | W | PB_PD1M[5:0] | | | | | | | | PortB Pull Down 1M Enable |
| PCI_PD1M.L | 0DH | 00 | W | PC_PD1M[7:0] | | | | | | | | PortCI Pull Down 1M Enable |
| PCI_PD1M.H | 0DH | 00 | W | PI_PD1M[1:0] | - | - | - | - | - | - | - | PortCI Pull Down 1M Enable |
| PA_TOUCH | 0EH | 00 | W | PA_TOUCH[5:0] | | | | | | | | PortA Touch Enable |
| PB_TOUCH | 0FH | 00 | W | PB_TOUCH[5:0] | | | | | | | | PortB Touch Enable |
| PCI_TOUCH.L | 10H | 00 | W | PC_TOUCH[7:0] | | | | | | | | PortCI Touch Enable |
| PCI_TOUCH.H | 10H | 00 | W | PI_TOUCH[1:0] | - | - | - | - | - | - | - | PortCI Touch Enable |
| Reserve | 11H | 00 | W | | | | | | | | | |
| Reserve | 12H | 00 | W | | | | | | | | | |
| Reserve | 13H | 00 | W | | | | | | | | | |
| WAKEN_PA | 14H | 00 | W | PortA_WAKEN[5:0] | | | | | | | | PortA WAKE UP Enable |
| WAKEN_PB | 15H | 00 | W | PortB_WAKEN[5:0] | | | | | | | | PortB WAKE UP Enable |
| WAKEN_PC | 16H | 00 | W | PortC_WAKEN[7:0] | | | | | | | | PortC WAKE UP Enable |
| WAKELV_PA | 17H | 00 | W | PortA_WAKELV[5:0] | | | | | | | | PortA WAKE UP Edge "1" = Pos-Edge, "0" = Neg-Edge of related PA bit |
| WAKELV_PB | 18H | 00 | W | PortB_WAKELV[5:0] | | | | | | | | PortB WAKE UP Edge "1" = Pos-Edge, "0" = Neg-Edge of related PB bit |
| WAKELV_PC | 19H | 00 | W | PortC_WAKELV[7:0] | | | | | | | | PortC WAKE UP Edge "1" = Pos-Edge, "0" = Neg-Edge of related PC bit |
| WAKEDLV_PB | 1AH | 00 | W | PortB_WAKEDLV[3:0] | | | | | | | | PortB Double-Edge WAKE UP Enable |
| Reserve | 1BH | 01 | W | | | | | | | | | |
| Reserve | 1BH | 00 | W | | | | | | | | | |
| Reserve | 1BH | 00 | R | | | | | | | | | |
| Reserve | 1BH | 00 | R | | | | | | | | | |
| Reserve | 1CH | XX | W | | | | | | | | | |
| Reserve | 1CH | XX | R | | | | | | | | | |



TRSF1604A(C) 16-bit Speech Processor

5.3 PC Stack

The PC STACK is TxP16S2 special embedded memory used to save (PC+1) value, which is composed with 16-level.

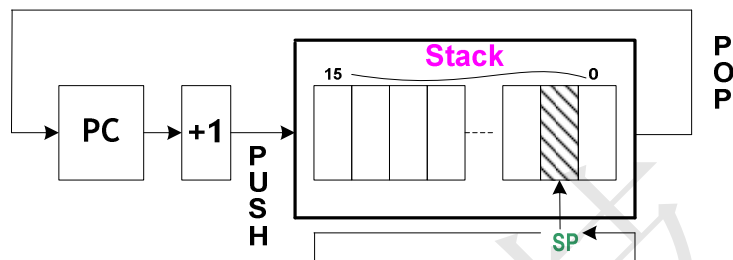


Figure 5.3 PC Stack Structure

Stack's top value is indexed by stack pointer (SP) register. When CALL instruction is executed, then the (PC+1) will PUSH onto stack addressing by SP and it will auto decrement. At the end of subroutine when RETS instruction is executed the SP will auto increment and stack content of pointer by SP will POP into PC.

The contents of STACK and SP are neither readable nor writeable by instruction. The SP is initialized to "0" after RESET.



TRSF1604A(C) 16-bit Speech Processor

5.4 Interrupt

5.4.1 Interrupt Vector Table

The Interrupt Vector Table is TxP16S2 special embedded memory, which is composed with 6-level of FIFO, used to store the index of interrupt service routine (ISR) address. User can access Interrupt Vector Table by read/write IntVect I/O register, which refers PCB register to compose of 20-bit address.

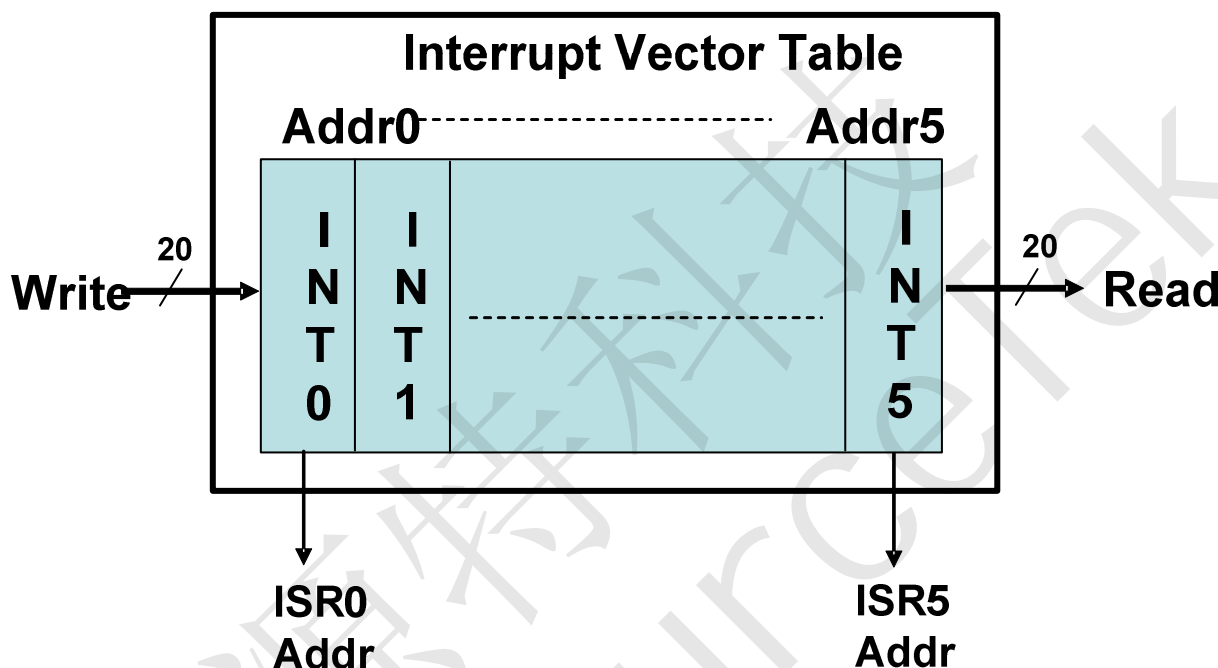


Figure 5.4 Interrupt Vector Structure

5.4.2 Interrupt Controller

Common I/O registers

| Symbol | Adr | Reset | RW | B7 | B6 | B5 | B4 | B3 | B2 | B1 | B0 | Description |
|-----------|-----|-------|-----|-------|----|-------|-------|-------|-------|-------|-------|--------------------|
| STATUS | 00H | 00 | R/W | INTEN | - | - | - | AN | AV | AC | AZ | System Status Flag |
| INTENA.L | 01H | 00 | R/W | - | - | ENA5 | ENA4 | ENA3 | ENA2 | ENA1 | ENA0 | Interrupt Enable |
| INTENA.H | 01H | 00 | R/W | - | - | - | - | - | - | - | - | |
| INTREQ.L | 02H | 00 | R/W | - | - | Req5 | Req4 | Req3 | Req2 | Req1 | Req0 | Interrupt Request |
| INTREQ.H | 02H | 00 | R/W | - | - | - | - | - | - | - | - | |
| INTMASK.L | 0AH | 00 | R/W | - | - | Mask5 | Mask4 | Mask3 | Mask2 | Mask1 | Mask0 | Interrupt Mask |
| INTMASK.H | 0AH | 00 | R/W | - | - | - | - | - | - | - | - | |

This chip provides several interrupt sources, including internal Audio PWM, Timer1, Timer2, RTC, SPI master, Flash ready, Touch, and 2 external ExtINT0, ExtINT1, interrupts. More details control will describe as follows:

| Interrupt Source | Interrupt Vector | Priority |
|-------------------------------------|------------------|--------------------|
| Audio PWM Timer | 0H | INT0_IRQ (highest) |
| Timer1 / ExtINT0 / SPI Master(Note) | 1H | INT1_IRQ |
| Timer2 / ExtINT1 / SPI Master(Note) | 2H | INT2_IRQ |
| RTC Timer / SPI Master(Note) | 3H | INT3_IRQ |
| Flash Erase/Program Ready(Note) | 4H | INT4_IRQ |
| Touch / SPI Master(Note) | 5H | INT5_IRQ (lowest) |

Table 5.3 Interrupt Sources

Note: Only one interrupt source can be selected for each interrupt vector.



TRSF1604A(C) 16-bit Speech Processor

(a) Global interrupt enable (INTEN)

The global interrupt INTEN controls the enable/disable of all interrupts. When INTEN is cleared to "0", all interrupts are disabled. When INTEN is set to "1", all interrupts are enabled (but still dependent on value of INTENA register). The INTEN is initialized to "0" after power on.

(b) Interrupt enable (INTENA)

The interrupt enable from ENA5 to ENA0 are shown in above. An interrupt is allowed when these control bit are set to "1", and interrupt is inhibit when these control bit are cleared to "0". They are all initialized to "0" after power on.

(c) Interrupt request (INTREQ)

If an interrupt raising edge request is generated, the related interrupt request bit is set to "1" by hardware and waits for interrupt accept. INTREQ can be cleared to "0" by software. Hardware will not clear this bit. INTREQ are all initialized to "0" after power on.

(d) Interrupt mask (INTMASK)

The interrupt can be masked by setting bit5~ bit0 of interrupt mask register as above. Each interrupt source in the system can be masked individually.

(e) Interrupt Priority

INT0_IRQ (highest) > INT1_IRQ > INT2_IRQ > INT3_IRQ > INT4_IRQ > INT5_IRQ (lowest)

5.4.3 Interrupt Processing

When any interrupt request(INTREQ) is generated, the acceptance of interrupt is decided by the interrupt enable(ENA) and global interrupt enable(INTEN). If the global interrupt enable(INTEN), related interrupt enable bit(ENA) are set to "1" and related mask bit(MASK) are cleared to 0, that interrupt will be accepted on the next clock. These following procedures will automatically be done in one clock cycle by hardware showing below:

- (1) Program Counter(PC), PCB, PCH, AR and FLAG will be stored in special hardware registers.
- (2) PC will be set to the corresponding interrupt entry address by refer to interrupt vector table.
- (3) The global interrupt enable (INTEN) is cleared to "0", which avoids the nest interrupt happened.

When interrupt service routine was finished, an RETI instruction will perform the procedures by hardware showing as follows:

- (1) Restore the stored PC, PCB, PCH, AR and FLAG.
- (2) The global interrupt enable (INTEN) is set to "1", which allows to accept the subsequent interrupt.

Before executing RETI instruction, the corresponding interrupt request (INTREQ) bit must be cleared to "0" by software. If the request bit is not cleared, the same interrupt will be accepted again.



TRSF1604A(C) 16-bit Speech Processor

5.5 MAC (16-bit X 16-bit Multiplier and Accumulator)

A 16 bit x 16 bit MAC is provided for digital signal processing. The core of MAC operation is multiply MX&MY with 2'S complement operand and accumulation previous 40-bit MF then rounding store result in the 40-bit MR register. The basic MAC architecture is shown as Figure 5.5.

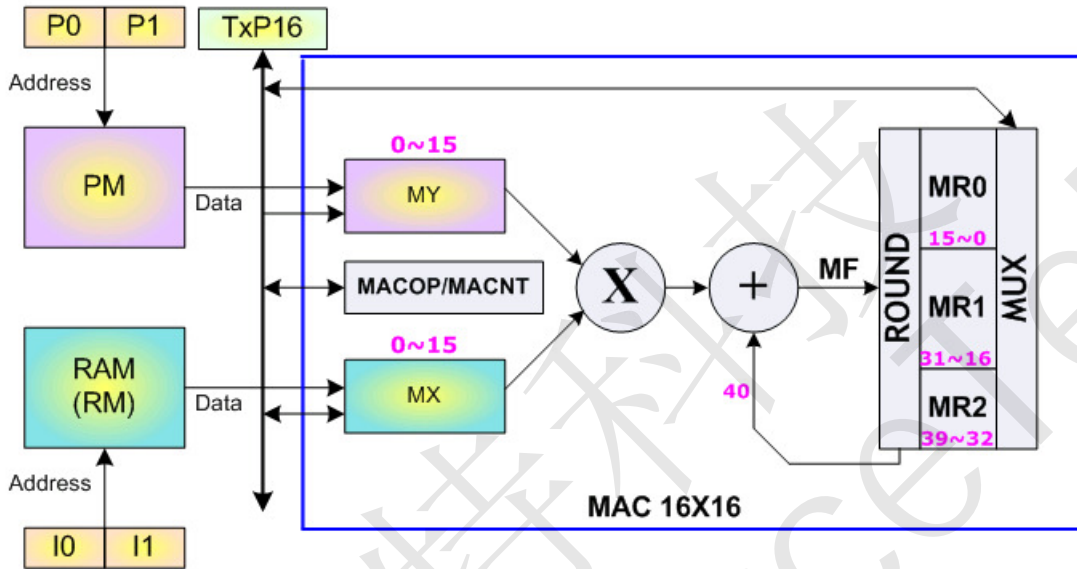


Figure 5.5 MAC Architecture

Define MAC module registers:

MX: MAC input 16-bit X register

MR: Multiplier or MAC result 40-bit register

MACOP: MAC operation define register

| Symbol | Reset | RW | B7 | B6 | B5 | B4 | B3 | B2 | B1 | B0 | Description |
|--------|-------|-----|------|------|-------|---------|-------|---------|-----------|-----------|---------------------|
| MACOP | 00 | R/W | RND1 | RND0 | P0/P1 | POP:+/- | I0/I1 | IOP:+/- | MY:SU(01) | MX:SU(01) | MAC Operation Setup |

MACNT: MAC equation loop counter, max to 255

Basically, multiplier operates equation:

$$MR = MX * MY(SU) \rightarrow MX: \text{signed}, MY: \text{unsigned}$$

Permission MY is AR or immediate value (-128~127), MX and MY are signed or unsigned assign by MACOP. So, actual multiplier instruction likes this:

$$MR = MX * AR \quad \text{or} \quad MR = MX * 56$$

The operation of MAC equation is:

$$MR = MR + (MX * MY(SU)) \ll RND, \quad MX = RM[I0++], \quad MY = PM[P1--]$$

The means of equation is signed MX multiply unsigned MY the result value shift left RND bits and add previous MR then write back to MR.



TRSF1604A(C) 16-bit Speech Processor

6. TRSF1604A(C) Memory Configuration

6.1 Internal Program/Parameter Memory

TxP16S2 consider both instruction and data ROM are the same as program ROM(PM), so it's very flexible and efficient for instruction and data memory allocation in PM. The total of logical PM space is 16 banks. Each bank has 64 K space. The 16 x 64K space is addressed by memory address generator unit (MAG). From BANK0 to BANK7 are implemented as Flash memory. From BANK8 to BANK14 are system reserved. The BANK15 is implemented as static RAM. More details control will describe as follows:

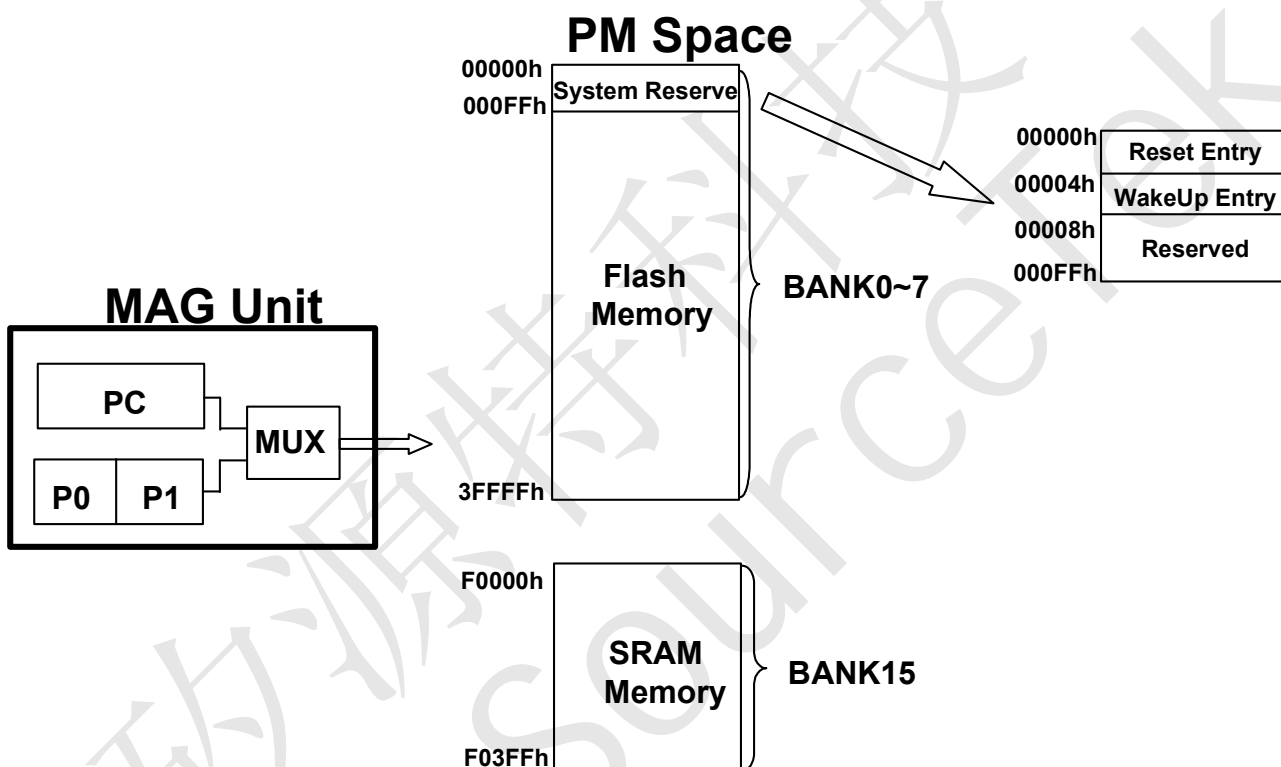


Figure 6.1 PM block diagram

When TxP16S2 executed an instruction, the PM address is generated from PC register. Similarity, when it access a word data, the PM address is composed with 20-bit from P0 or P1. System will auto adjust execute target space when program context switch between BANK0~7 and BANK15.

6.2 Internal Data Working SRAM

The internal data working ram space is totally 4Kx16-bit that named as RM. Addressing ranged from 0x0000 through 0x0FFF, which is generated by Data Address Generator Unit (DAG). Note: Index register (I0,I1,BP) are 16-bit width, but RM address line is only 12-bit width(0~4095); therefore, RM address will be warping when index value exceed 4095.

Note: Total SARM size is 4Kx16-bit. If PM(BANK15 / 1Kx16-bit) is used, RM will be 3Kx16-bit. If PM(BANK15) is no used, RM will be 4Kx16-bit. SARM configuration is set by option code.



TRSF1604A(C) 16-bit Speech Processor

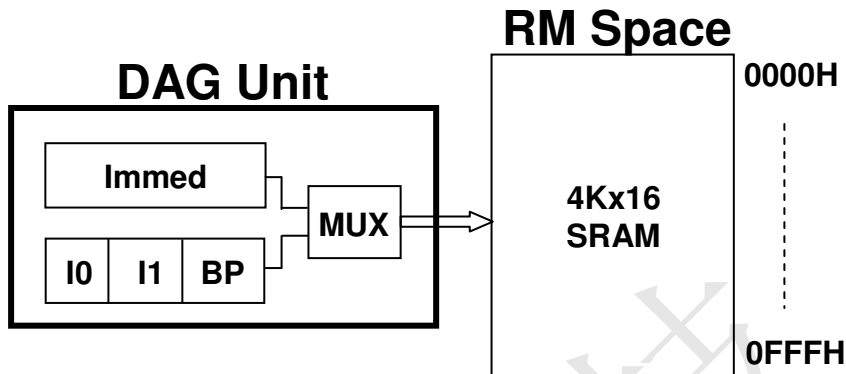


Figure 6.2 RM block diagram

6.3 Data Stack

A Last In First Out (LIFO) STACK is implementation for temporary data storage in RM memory. Generally, Data Stack is start-up at the bottom of RM, so BP is usually set to 0x0FFF.

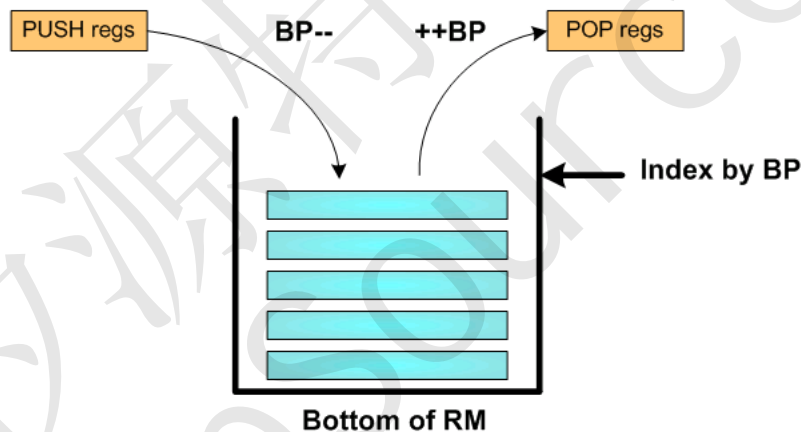


Figure 6.3 Data Stack Structure

Data Stack's top value is indexed by base pointer (BP) register. When PUSH instruction is executed, the "regs" will PUSH onto stack which address by BP and it will auto decrement. If POP instruction is performed, the BP will auto increment and stack content of pointed by BP will POP into "regs".



TRSF1604A(C) 16-bit Speech Processor

7. TRSF1604A(C) Peripherals

7.1 Programmable Timers

Common I/O registers

| Symbol | Adr | Reset | RW | B7 | B6 | B5 | B4 | B3 | B2 | B1 | B0 | Description |
|----------|-----|-------|-----|-------|----|--------|------|------|------|------|------------|--------------------|
| STATUS.L | 00H | 20 | R/W | INTEN | - | - | AQ | AN | AV | AC | AZ | System Status Flag |
| STATUS.H | 00H | 00 | R/W | PA | FA | IntVWR | - | - | - | - | SPIM EN | |
| INTENA.L | 01H | 00 | R/W | - | - | ENA5 | ENA4 | ENA3 | ENA2 | ENA1 | ENA0 | Interrupt Enable |
| INTENA.H | 01H | 00 | R/W | - | - | - | - | - | - | - | - | |
| INTREQ.L | 02H | 00 | R/W | - | - | Req5 | Req4 | Req3 | Req2 | Req1 | Req0 | Interrupt Request |
| INTREQ.H | 02H | 00 | R/W | - | - | - | - | - | - | - | - | |

Virtual Programming IO Port

| Symbol | Adr | Reset | RW | b15/b7 | b14/b6 | b13/b5 | B12/b4 | b11/b3 | B10/b2 | b9/b1 | b8/b0 | Description |
|----------|-----|-------|----|----------------------|--------|--------|--------|--------|--------|-----------------|-----------------|------------------------------|
| Timer1 | 00H | 00 | W | Timer0 | | | | | | | | Timer1 |
| Timer1 | 00H | 00 | R | Current Timer1 Value | | | | | | | | |
| Timer2 | 01H | 00 | W | Timer1 | | | | | | | | Timer2 |
| Timer2 | 01H | 00 | R | Current Timer2 Value | | | | | | | | |
| RTCTimer | 02H | 00 | RW | RTCTimer | | | | | | | | RTC Timer |
| FetchCNT | 03H | 00 | W | - | - | - | - | - | - | Fetch Timer2 | Fetch Timer1 | Fetch Timer1/2 Current Value |

7.1.1 Audio PWM Timer

Audio PWM timer is fixed generate 32kHz interrupt request when INTENA0 bit is turned on, *If Auto FIFO EN is setting the interrupt request rate = $F_t / \text{FIFO Length}$.* ***Notice: It should be avoided that INTENA bit0 is turned on/off quickly. If need to turned on/off INTENA bit0 quickly, recommend to use INTMASK bit0.***

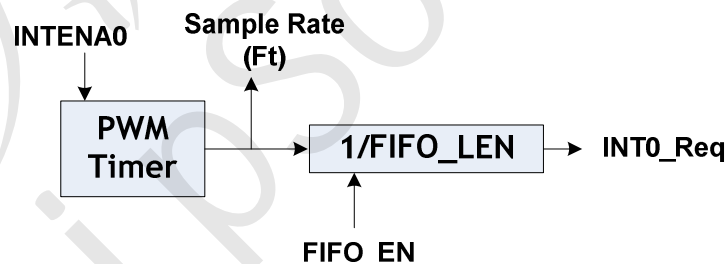


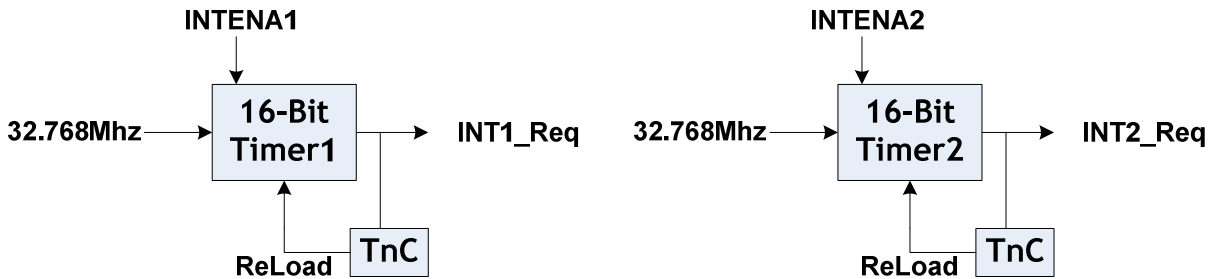
Figure 7.1 Audio PWM Timer Structure

7.1.2 Timer1 & Timer2

The clock source of Timer1 & Timer2 comes from fixed 32.768Mhz or External Clock Input, It contains 16-bit write-only counter register. If Timer enable correspond with the INTENA bit is turned on then counting to time out, an interrupt request will be generated. At the same time, TnC will be reloaded into Timer register and up-count again. If the global interrupt enable, an interrupt signal is generated at the next clock.



TRSF1604A(C) 16-bit Speech Processor



$$\text{Int1_Req} / \text{Int2_Req} = (32.768\text{Mhz}) / (\text{TnC}+1)$$

Figure 7.2 Timer1 & Timer2 Structure

7.1.3 RTC(Real Time Clock) Timer

The RTC Timer input frequency is Low power RC oscillator 32768Hz [-30%@1.8V](#) ~ +30%@5.5V (LP32K). It contains 16-bit counter register. RTC generates interrupt request or wake-up MCU when in halt mode or interrupt in normal mode. The wake-up function can be disabled by option.

The frequency of Int3_Req = 32768Hz / (RTC Timer TnC+1)

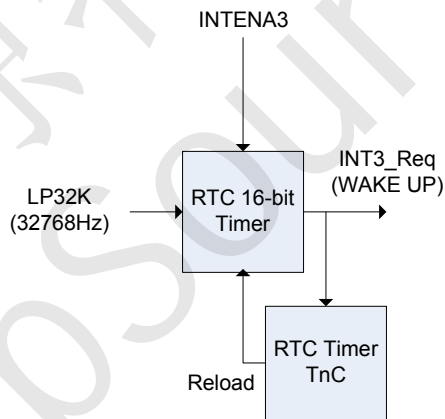


Figure 7.3 RTC Timer Structure



TRSF1604A(C) 16-bit Speech Processor

7.2 General Purpose I/O Ports

The TRSF1604A(C) provides 4 I/O ports for user application. There are four I/O port, PA0~PA5, PB0~PB5, PC0~PC7 and PI0~PI1. The input/output bits programmable by IOC control register respectively. PA0~PA5, PB0~PB5, PC0~PC7 wake-up function enable or disable by user program. PA1 and PA2 are external interrupt pins. The Pull-Down 50K or 220K or 1M resistor of each pin can be programmed by user program. **If I/O pin is set to output pin, the Pull-Down 50K and Pull-Down 1M resistor will be disable.**

The basic I/O schematic is showed in Figure 7.5.

Common I/O registers

| Symbol | Adr | Reset | RW | B15/b7 | b14/b6 | b13/b5 | b12/b4 | B11/b3 | B10/b2 | b9/b1 | b8/b0 | Description | |
|----------|-----|-------|-----|-------------|--------|--------|--------|--------|--------|-------|-------|--------------------------------------|---------------------------------------|
| IOC_PA | 04H | 00 | R/W | IOC_PA[5:0] | | | | | | | | | "1" = out, "0" = in of related PA bit |
| IOC_PB | 05H | 00 | R/W | IOC_PB[5:0] | | | | | | | | | "1" = out, "0" = in of related PB bit |
| IOC_PC.L | 06H | 00 | R/W | IOC_PC[7:0] | | | | | | | | | "1" = out, "0" = in of related PC bit |
| IOC_PC.H | 06H | 00 | R/W | IOC_PI[1:0] | | | | | | - | | 1" = out, "0" = in of related PI bit | |
| PortA | 07H | XX | R/W | PortA[5:0] | | | | | | | | | Read: in port Write: out port |
| PortB | 08H | XX | R/W | PortB[5:0] | | | | | | | | | Read: in port Write: out port |
| PortCI.L | 09H | XX | R/W | PortC[7:0] | | | | | | | | | Read: in port Write: out port |
| PortCI.H | 09H | XX | R/W | PortI[1:0] | | | | | | - | | Read: in port Write: out port | |

Virtual Programming IO Port

| Symbol | Adr | Reset | RW | b15/b7 | b14/b6 | b13/b5 | B12/b4 | b11/b3 | B10/b2 | b9/b1 | b8/b0 | Description | |
|--------------|-----|-------|----|--------------------|--------|--------|--------|--------|--------|-------|-------|--|--|
| PA_PD50K | 05H | 00 | W | PA_PD50K[5:0] | | | | | | | | | PortA Pull Down 50K Enable |
| PB_PD50K | 06H | 00 | W | PB_PD50K[5:0] | | | | | | | | | PortB Pull Down 50K Enable |
| PCI_PD50K.L | 07H | 00 | W | PC_PD50K[7:0] | | | | | | | | | PortCI Pull Down 50K Enable |
| PCI_PD50K.H | 07H | C0 | W | PI_PD50K[1:0] | | | | | | | | PortCI Pull Down 50K Enable (PortI default : Enable PD50K) | |
| PA_PD220K | 08H | 00 | W | PA_PD220K[5:0] | | | | | | | | | PortA Pull Down 220K Enable |
| PB_PD220K | 09H | 00 | W | PB_PD220K[5:0] | | | | | | | | | PortB Pull Down 220K Enable |
| PCI_PD220K.L | 0AH | 00 | W | PC_PD220K[7:0] | | | | | | | | | PortCI Pull Down 220K Enable |
| PCI_PD220K.H | 0AH | 00 | W | PI_PD220K[1:0] | | | | | | | | PortCI Pull Down 220K Enable | |
| PA_PD1M | 0BH | 00 | W | PA_PD1M[5:0] | | | | | | | | | PortA Pull Down 1M Enable |
| PB_PD1M | 0CH | 00 | W | PB_PD1M[5:0] | | | | | | | | | PortB Pull Down 1M Enable |
| PCI_PD1M.L | 0DH | 00 | W | PC_PD1M[7:0] | | | | | | | | | PortCI Pull Down 1M Enable |
| PCI_PD1M.H | 0DH | 00 | W | PI_PD1M[1:0] | | | | | | | | PortCI Pull Down 1M Enable | |
| PA_TOUCH | 0EH | 00 | W | PA_TOUCH[3:0] | | | | | | | | | PortA Touch Enable |
| PB_TOUCH | 0FH | 00 | W | PB_TOUCH[5:0] | | | | | | | | | PortB Touch Enable |
| PCI_TOUCH.L | 10H | 00 | W | PC_TOUCH[7:0] | | | | | | | | | PortCI Touch Enable |
| PCI_TOUCH.H | 10H | 00 | W | PI_TOUCH[1:0] | | | | | | | | PortCI Touch Enable | |
| Reserve | 11H | 00 | W | | | | | | | | | | |
| Reserve | 12H | 00 | W | | | | | | | | | | |
| Reserve | 13H | 00 | W | | | | | | | | | | |
| WAKEN_PA | 14H | 00 | W | PortA_WAKEN[5:0] | | | | | | | | | PortA WAKE UP Enable |
| WAKEN_PB | 15H | 00 | W | PortB_WAKEN[5:0] | | | | | | | | | PortB WAKE UP Enable |
| WAKEN_PC | 16H | 00 | W | PortC_WAKEN[7:0] | | | | | | | | | PortC WAKE UP Enable |
| WAKELV_PA | 17H | 00 | W | PortA_WAKELV[5:0] | | | | | | | | | PortA WAKE UP Edge "1" = Pos-Edge, "0" = Neg-Edge of related PA bit |
| WAKELV_PB | 18H | 00 | W | PortB_WAKELV[5:0] | | | | | | | | | PortB WAKE UP Edge "1" = Pos-Edge, "0" = Neg-Edge of related PB bit |
| WAKELV_PC | 19H | 00 | W | PortC_WAKELV[7:0] | | | | | | | | | PortC WAKE UP Edge "1" = Pos-Edge, "0" = Neg-Edge of related PC bit |
| WAKEDLV_PB | 1AH | 00 | W | PortB_WAKEDLV[3:0] | | | | | | | | | PortB Double-Edge WAKE UP Enable |

These totally 22 I/O pins work not only just a general input/output port function but also can be configured as SPI master, Analog input, IR 38K, External interrupt etc. For more detail please refer to relative section.



TRSF1604A(C) 16-bit Speech Processor

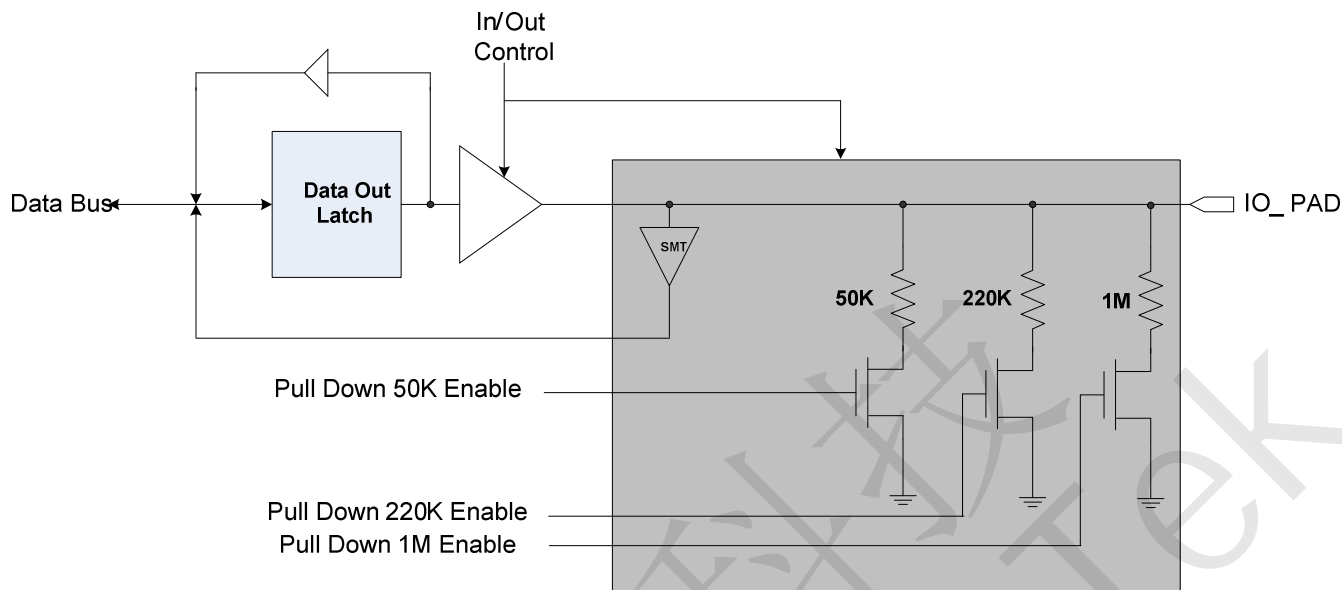


Figure 7.4 Basic I/O Configuration

Virtual Programming IO Port

| Symbol | Adr | Reset | RW | b15/b7 | b14/b6 | b13/b5 | B12/b4 | b11/b3 | B10/b2 | b9/b1 | b8/b0 | Description |
|------------|-----|-------|----|--------------------|--------|--------|--------|--------|--------|-------|----------------------------------|-------------|
| WAKEDLV_PB | 1AH | 00 | W | PortB_WAKEDLV[3:0] | | | | | | | PortB Double-Edge WAKE UP Enable | |

PB0, PB1, PB2 and PB3 support two edge mode which is rising and falling edge trigger for wake-up function. The rising and falling edge trigger is selected by user program.

The PortC4, PortC5, PortC6, PortC7 also provides 2 comparators configuration for user application that each comparator enable or disable by program. The output of comparator is bit14 and bit15 of system miscellanea register #3.

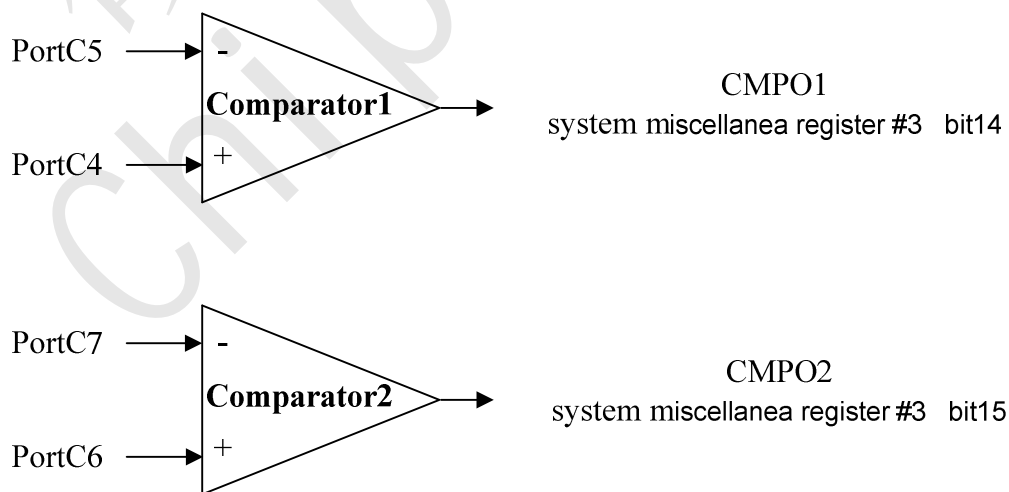


Figure 7.5 Comparator Configuration



TRSF1604A(C) 16-bit Speech Processor

7.3 Extension Device

TRSF1604A(C) built-in special hardwires for external device connection capability are listed below:

7.3.1 SPI Master Controller

In order to enable SPI Master Controller interface, user should set STATUS.b8 = 1 before SPI Master Controller operation.

7.3.1.1 Features

- Serial clock rate: 16.384 MHz / 8.192 MHz / 4.096 MHz
- Support four standard SPI modes
- Built in 1x16 bits data buffer

| I/O Port | SPI interface | Direction | Description |
|----------|---------------|-----------|----------------------------------|
| PortB.2 | SO | I/O | Serial Data output |
| PortB.1 | SI | I/O | Serial Data input |
| PortB.0 | SCK | O | Serial Clock |
| PortB.5 | CS | O | Chip Select(free assign by user) |

7.3.1.2 Control/Data Registers

| Symbol | Adr | Reset | RW | b15/b7 | B14/b6 | b13/b5 | b12/b4 | b11/b3 | B10/b2 | b9/b1 | b8/b0 | Description |
|----------|-----|-------|----|--------|--------|--------|--------|--------|--------|-------------------------|-------|----------------------------------|
| CTRL_W.L | 55H | 01 | W | - | - | RCV | SEND | - | - | Total Send/Receive Byte | | Write Control Register Low Byte |
| CTRL_W.H | 55H | 00 | W | CPOL | CPHA | CKSEL | | ICS | - | Which_INT | | Write Control Register High Byte |
| CTRL_R.L | 55H | 01 | R | DATOK | 0 | RCV | SEND | 0 | 0 | Total Send/Receive Byte | | Read Control Register Low Byte |
| CTRL_R.H | 55H | 00 | R | CPOL | CPHA | CKSEL | | ICS | 0 | Which_INT | | Read Control Register High Byte |

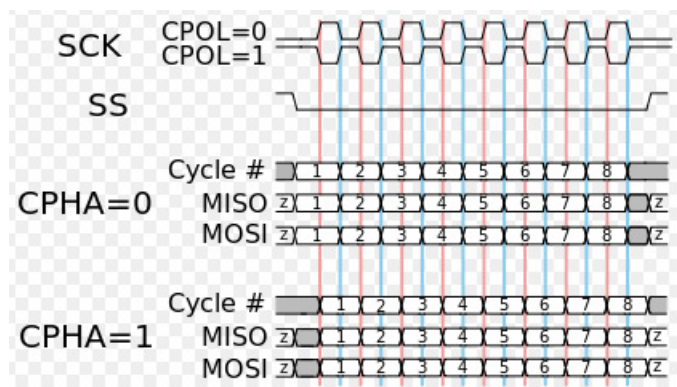
| Item | Description |
|-------------------------|--|
| Total Send/Receive Byte | Default:1 , Total byte number of sending or receiving |
| SEND | Trigger sending data |
| RCV | Trigger receiving data. |
| Which_INT | Default:0 , assign SPI interrupt to which interrupt vector , 00:int1 01:int2 10:int3 11:int5 |
| ICS | Internal SPI command select enable |
| CKSEL | 00: N/A , 01: 16.384MHz , 10: 8.192 MHz , 11: 4.096 MHz |
| CPHA | Clock Phase |
| CPOL | Clock Polarity |
| DATOK | Indicate transmit/receive data O.K |

SPI Modes

| SPI Mode | Conditions | Leading Edge | Trailing eDge |
|----------|----------------|------------------|------------------|
| 0 | CPOL=0, CPHA=0 | Sample (Rising) | Setup (Falling) |
| 1 | CPOL=0, CPHA=1 | Setup (Rising) | Sample (Falling) |
| 2 | CPOL=1, CPHA=0 | Sample (Falling) | Setup (Rising) |
| 3 | CPOL=1, CPHA=1 | Setup (Falling) | Sample (Rising) |



TRSF1604A(C) 16-bit Speech Processor



| Symbol | Adr | Reset | RW | b15/b7 | b14/b6 | b13/b5 | b12/b4 | b11/b3 | B10/b2 | b9/b1 | b8/b0 | Description |
|--------|-----|-------|----|------------|--------|--------|--------|--------|--------|-------|-------|-------------------------------|
| DATA_W | 56H | XX | W | DATA[15:0] | | | | | | | | Write Transmission Data Value |
| DATA_R | 56H | XX | R | DATA[15:0] | | | | | | | | Read Received Data Value |

DATA [15:0]: Transmit/Receive Data Value



TRSF1604A(C) 16-bit Speech Processor

7.3.2 PortA3 for IR 38KHz Modulation

| I/O Port | IR | Direction | Description |
|----------|--------|-----------|---------------|
| PortA.3 | IR 38K | O | IR 38K Output |

PA3 can provide 38 KHz modulation function. I/O port PA3 combine 38 KHz modulator with register DATA_PA bit 3, this function is enabled by bit11 of system miscellanea register #1. If bit11 of system miscellanea register #1 is set to high, I/O port PA3 will output 38 KHz clock signal when PA3 is configured as output port and DATA_PA bit3 = 1. In contrast, PA3 output low when PA3 is configured as output port and DATA_PA bit3 = 0. The PA3 output pad will be forced to low state.

矽源特科技
ChipSourceTek



TRSF1604A(C) 16-bit Speech Processor

7.3.3 Touch Controller

7.3.3.1 Features

- Touch controller with one dedicated comparator
- Use Real-T counter to count the output pulse width of comparator
- Provides an interrupt for efficient programming.
- *PortA4 and PortA5 are not supported touch function.*

7.3.3.2 Control Registers

◆ System Miscellanea register #4

| Symbol | Adr | Reset | RW | b15/b7 | b14/b6 | b13/b5 | b12/b4 | b11/b3 | B10/b2 | b9/b1 | b8/b0 | Description |
|---------|-----|-------|-----|-------------|---------|--------|-------------|-----------|--------------|-------|-------|--------------------------------|
| MISC4.L | 19H | 00 | R/W | TOUCH_REALT | TINT_EN | TIS | | SVT | THEN | PREC | - | System miscellanea register #4 |
| MISC4.H | 19H | 00 | R/W | DAC_Bypass | DAC_OG | | InterPLY_EN | Tone_Mode | InterPLY_FUN | | | |

| Item | Description |
|-------------|--|
| TOUCH_REALT | Touch with Real-T function 0:disable & clear real-T stop flag 1:enable |
| TINT_EN | Touch INT Enable |
| TIS | Touch I/O Port input select , 00: NA, 01:PortA, 10:PortB, 11:PortC |
| SVT | Touch SVT , 0: 1/4*VCC, 1: 1/2*VCC |
| THEN | Touch Enable |
| PREC | Touch Pre-charge 1.5V |

◆ System Miscellanea register #5

| Symbol | Adr | Reset | RW | b15/b7 | b14/b6 | b13/b5 | b12/b4 | b11/b3 | B10/b2 | b9/b1 | b8/b0 | Description |
|---------|-----|-------|-----|-------------------|--------|-------------|-------------|--------------|--------------|-------------|-------------|--------------------------------|
| MISC5.L | 18H | 00 | R/W | THO | LVDO | CMP2_TIMER2 | CMP1_TIMER1 | CMP2_INT_INV | CMP1_INT_INV | CMP2_INT_EN | CMP1_INT_EN | System Miscellanea register #5 |
| MISC5.H | 18H | 00 | R/W | InterPLY_FREQ_DIV | | | | | | | | |

| Item | Description |
|------|-------------------------------------|
| THO | Touch Comparator Output (Read Only) |

Virtual Programming IO Port

| Symbol | Adr | Reset | RW | b15/b7 | b14/b6 | b13/b5 | B12/b4 | b11/b3 | B10/b2 | b9/b1 | b8/b0 | Description |
|-------------|-----|-------|----|---------------|--------|--------|--------|---------------|--------|-------|-------|---------------------------------|
| PA_TOUCH | 0EH | 00 | RW | | | | | PA_TOUCH[3:0] | | | | PortA touch enable bit |
| PB_TOUCH | 0FH | 00 | RW | | | | | PB_TOUCH[5:0] | | | | PortB touch enable bit |
| PCI_TOUCH.L | 10H | 00 | RW | | | | | PC_TOUCH[7:0] | | | | PortC0~ PortC7 touch enable bit |
| PCI_TOUCH.H | 10H | 00 | RW | PI_TOUCH[1:0] | | | | | | | | PortI0~ PortI1 touch enable bit |

If THEN is set high, PA_TOUCH, PB_TOUCH and PCI_TOUCH registers are used to set the corresponding touch enable bit of PortA, PortB, PortC and PortI.



TRSF1604A(C) 16-bit Speech Processor

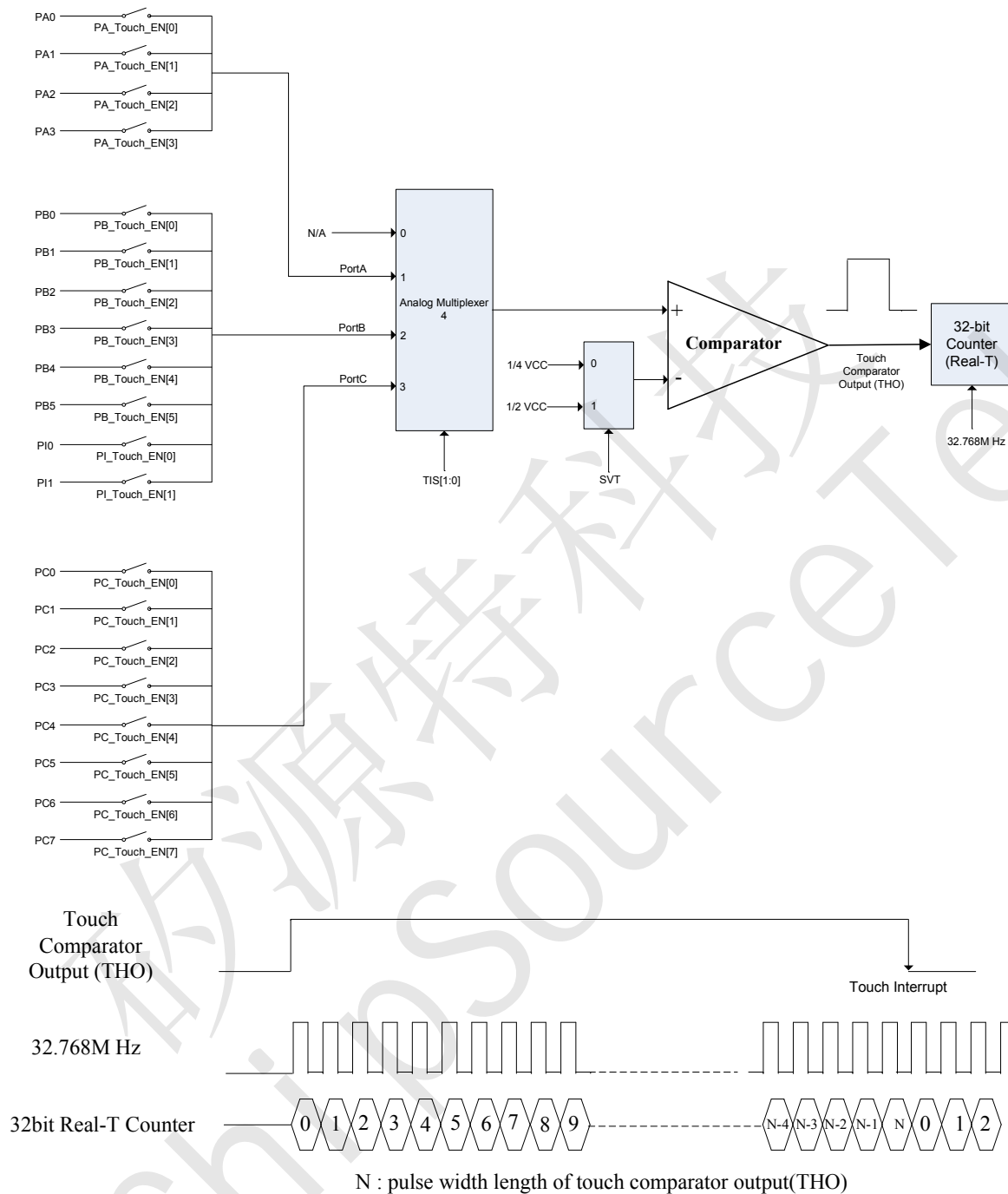


Figure 7.6 Touch Controller Structure



TRSF1604A(C) 16-bit Speech Processor

7.4 Audio Output

7.4.1 Mono 16-bit PWM Output

One 16-bit of audio PWM / DAC is built-in TRSF1604A(C) for mono audio application. Mono output pin PWMP and PWMN are connected to speaker directly. This amplifier can be used to direct drive 8 ohm speaker without any external circuit.

Common I/O registers

| Symbol | Adr | Reset | RW | b15/b7 | b14/b6 | B13/b5 | b12/b4 | b11/b3 | b10/b2 | b9/b1 | b8/b0 | Description |
|-----------|-----|-------|----|-----------------|--------|--------|--------|--------|--------|-------|-------|--------------------------|
| Audio-PWM | 16H | XX | W | Audio-PWM[15:0] | | | | | | | | 16-bit PWM Audio Channel |

7.4.2 Mono 16-bit DAC Output

One 16-bit of digital-to-analog converter (DAC) is built-in TRSF1604A(C) for mono audio application. In order to get more output power driving, which require external amplifier is need.

Common I/O registers

| Symbol | Adr | Reset | RW | b15/b7 | b14/b6 | B13/b5 | b12/b4 | B11/b3 | b10/b2 | b9/b1 | b8/b0 | Description |
|-----------|-----|-------|----|------------------|--------|--------|--------|--------|--------|-------|-------|--------------------------|
| Audio-DAC | 16H | XX | W | Audio-DAC [15:0] | | | | | | | | 16-bit DAC Audio Channel |

◆ System Miscellanea register #4

| Symbol | Adr | Reset | RW | b15/b7 | b14/b6 | b13/b5 | b12/b4 | b11/b3 | B10/b2 | b9/b1 | b8/b0 | Description |
|---------|-----|-------|-----|----------------|-------------|--------|-----------------|---------------|--------------|-------|-------|--------------------------------|
| MISC4.L | 19H | 00 | R/W | TOUCH REALT | TINT _EN | TIS | SVT | THEN | PREC | - | | System miscellanea register #4 |
| MISC4.H | 19H | 00 | R/W | DAC Bypass | DAC_OG | | InterPLY_ EN | Tone_ Mode | InterPLY_FUN | | | |

| Item | Description |
|--------|--------------------------------|
| DAC_OG | Default:0, DAC output gain = 1 |

7.4.3 DAC Interpolation Control

One DAC interpolation control unit is built-in TRSF1604A(C), in order to reduce quantization noise and improve sound quality at DAC audio output.

◆ System Miscellanea register #4

| Symbol | Adr | Reset | RW | b15/b7 | b14/b6 | b13/b5 | b12/b4 | b11/b3 | B10/b2 | b9/b1 | b8/b0 | Description |
|---------|-----|-------|-----|----------------|-------------|--------|-----------------|---------------|--------------|-------|-------|--------------------------------|
| MISC4.L | 19H | 00 | R/W | TOUCH REALT | TINT _EN | TIS | SVT | THEN | PREC | - | | System miscellanea register #4 |
| MISC4.H | 19H | 00 | R/W | DAC Bypass | DAC_OG | | InterPLY_ EN | Tone_ Mode | InterPLY_FUN | | | |

| Item | Description |
|-------------|---|
| DAC_Bypass | Bypass DAC input function 0:disable(default) 1:enable |
| InterPLY_EN | 0:DAC Interpolation disable 1: DAC Interpolation enable |



TRSF1604A(C) 16-bit Speech Processor

| | |
|--------------|--|
| Tone_Mode | 0:TONE disable 1:TONE enable(Sin wave output) |
| InterPLY_FUN | 0:DAC Interpolation disable 1: DAC Interpolation 8 point 2:DAC Interpolation 16 point 3: DAC Interpolation 32 point |

◆System Miscellanea register #5

| Symbol | Adr | Reset | RW | b15/b7 | b14/b6 | b13/b5 | b12/b4 | b11/b3 | B10/b2 | b9/b1 | b8/b0 | Description |
|---------|-----|-------|-----|-------------------|--------|-------------|-------------|--------------|--------------|-------------|-------------|--------------------------------|
| MISC5.L | 18H | 00 | R/W | THO | LVDO | CMP2_TIMER2 | CMP1_TIMER1 | CMP2_INT_INV | CMP1_INT_INV | CMP2_INT_EN | CMP1_INT_EN | System Miscellanea register #5 |
| MISC5.H | 18H | 00 | R/W | InterPLY_FREQ_DIV | | | | | | | | |

| Item | Description |
|-------------------|---|
| InterPLY_FREQ_DIV | System Frequency Divisor for DAC interpolation, Default:0 |

Setting this value defines how many System Clocks will produce a smooth interpolated value that will be output directly to the DAC. If the system generates a 32-point interpolation operation, and the DAC value is updated every 32 points. Sampling Rate is set by IDE option.

Example1:

Sampling Rate = 32k Hz, 16-point interpolation

$$D[7:0](\text{InterPLY_FREQ_DIV}) = 65536k \text{ Hz} / (16 \times 32k) = 128(\text{Dec.}) / 0x80(\text{Hex.})$$

Example2:

Sampling Rate = 64k Hz, 32-point interpolation

$$D[7:0](\text{InterPLY_FREQ_DIV}) = 65536k \text{ Hz} / (32 \times 64k) = 32(\text{Dec.}) / 0x20(\text{Hex.})$$



TRSF1604A(C) 16-bit Speech Processor

7.5 Auto-FIFO

The Auto-FIFO allows user transfer base on 4-level of data to Audio-PWM. In some case of frame base applications that data transfer is more efficient than sample base. It is advantageous to decrease number of context switch between main program and interrupt service routine (ISR). The FIFO structure reveal as below:

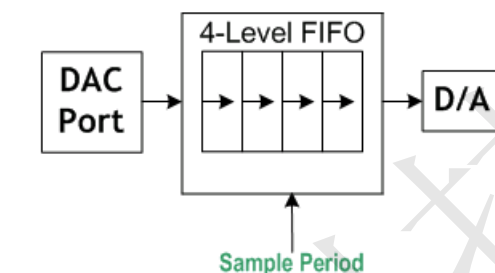


Figure 7.7 Auto FIFO Structure

An interrupt is generated when an entire 4-level FIFO is transfer completed (D/A FIFO buffer is empty), then interrupt service routine should re-load 4-level data to FIFO at ones during 32K or 64K sample period. The FIFO will automatically shift-out data to Audio-PWM at each sample period.

Note: Auto-FIFO is enable/disable by option setup.



TRSF1604A(C) 16-bit Speech Processor

8. TRSF1604A(C) Flash Control

8.1 Flash Structure

TRSF1604A(C) is built in 256Kx16 program/data FLASH memory. This Flash is offered with sector endurance of more than 1,000 cycles, Data retention is rated at greater than 10 years. It is suited for convenient and economical updating of program, configuration, or data memory.

The sector architecture is based on sector size of 256 words/512 bytes. The sector erase operation allows the system to erase the device on a sector. The sector architecture is shown as Figure 8.1.

| Sector Select(255 sectors) | | | | | | | | Word Select(256 words) | | | | | | | |
|----------------------------|-----|-----|-----|-----|-----|----|----|------------------------|----|----|----|----|----|----|----|
| A15 | A14 | A13 | A12 | A11 | A10 | A9 | A8 | A7 | A6 | A5 | A4 | A3 | A2 | A1 | A0 |

Figure 8.1 The sector architecture

8.2 Flash Sector Erase

The Sector Erase instruction needs to assign erasing sector number to AR register. When “PE = AR” instruction is executed, select of sector will be erased.

Example: Erase 16th sector (0x1000 – 0x10FF)

```
AR = 0x0010 // assign erasing sector number
PE = AR     // sector erasing
```

Note: Erasing time of one sector is 2.6ms.

8.3 Flash Word Programming

TRSF1604A(C) provide one word programming instruction. The Word Programming instruction needs to assign programming data to AR register and assign programming address to P0/P1 register. When “PM[P0/P1] = AR” instruction is executed, select of flash address will be programmed.

Example: Program 16th word address (0x0010)

```
P0.hh = 0x0000
P0 = 0x0010 // assign programming address
AR = 0x5678 // assign programming data
PM[P0] = AR // word programming
```

Note: Programming time of one word is 41us.



TRSF1604A(C) 16-bit Speech Processor

8.4 Flash Word Read

TRSF1604A(C) provide word read instruction. The Word Read instruction needs to assign reading address to P0/P1 register. When “AR = PM[P0/P1]” instruction is executed, select of word will be read out to AR register.

Example: Read 16th word address (0x0010)

P0.hh = 0x0000

P0 = 0x0010 // assign reading address

AR = PM[P0] // read word data

Note: Reading time of one word is two cycles of System Clock.

8.5 Flash unlock/lock for Programming/Erase instruction

Flash unlock instruction need to be executed before flash programming/erase instruction will be executed. This flash unlock instruction is to ensure the safety of the flash operation in order to prevent flash data from being modified by mistake. After the Flash program/erase instruction is executed, the Flash lock instruction needs to be executed to ensure the flash security.

Example1: Flash unlock

ENC_DAT EQU 54H

ar = 0xdb3f

io[ENC_DAT] = ar

ar = 0x8a17

io[ENC_DAT] = ar

Example2: Flash lock

ENC_DAT EQU 54H

ar = 0x1234

io[ENC_DAT] = ar

ar = 0x5678

io[ENC_DAT] = ar



TRSF1604A(C) 16-bit Speech Processor

9. TRSF1604A(C) Others

9.1 Dynamic System Clock

Operation frequency can be adjusted by software dynamically. User can adjust operation frequency in order to reduce power consumption.

| Write Data | CPU Operation frequency |
|------------|-------------------------|
| 1 | 8 MHz |
| 2 | 11 MHz |
| 3 | 12 MHz |

Example: Change CPU Operation frequency to 11MHz.

```
SPEED EQU 67H
```

```
ar = 0x0002;  
io[SPEED] = ar;
```

9.2 Low Voltage Detector

The voltage detect range of LVD is 1.8V ~ 2.98V for D2ENB = 0 or 2.7V~4.47V for D2ENB=1. When $VCC/2$ or $VCC/3 < VBGI$, LVDO=1, otherwise LVDO=0.

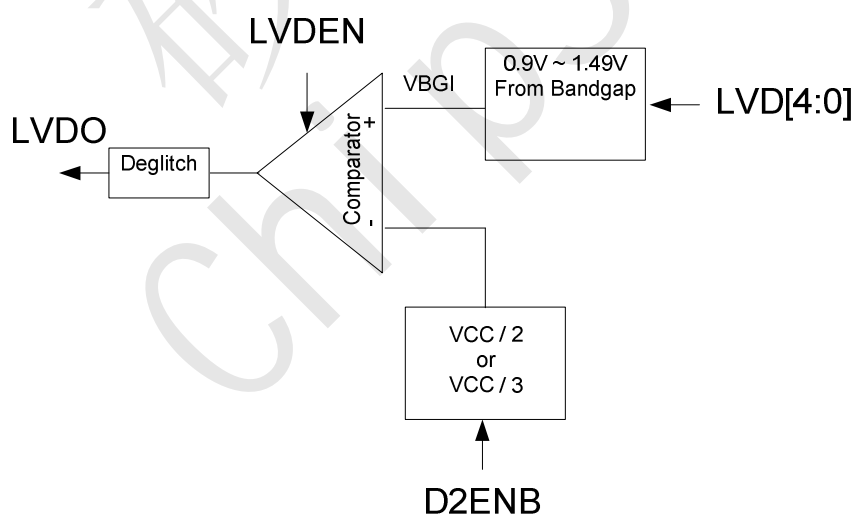


Fig 9.2-1 Function diagram of LVD



TRSF1604A(C) 16-bit Speech Processor

| | | | | |
|----------------|----------|----------|-------------|----------|
| Register | MISC3.b6 | MISC3.b7 | MISC3.b8~12 | MISC5.b6 |
| Control signal | LVDEN | D2ENB | LVD[4:0] | LVDO |

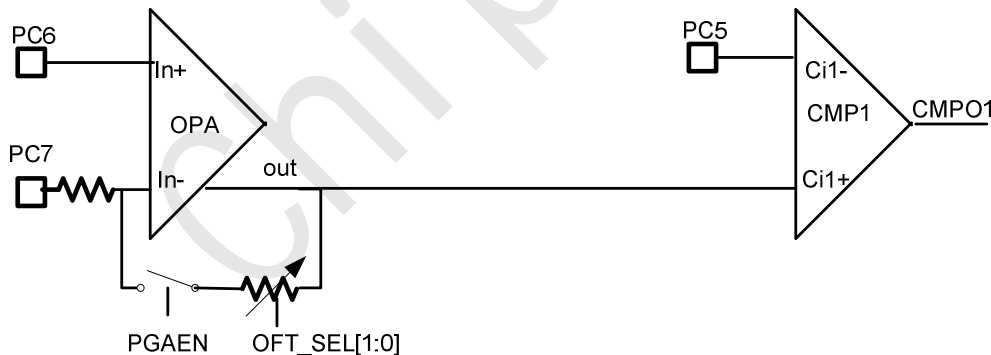
| LVD [4:0] | D2ENB=0 | | D2ENB=1 | | LVD [4:0] | D2ENB=0 | | D2ENB=1 | |
|--------------|---------|-------------|---------|-------------|--------------|---------|-------------|---------|-------------|
| | Ideal | Real | Ideal | Real | | Ideal | Real | Ideal | Real |
| 0x00 | 1.80 | 1.79 | 2.70 | 2.68 | 0x10 | 2.44 | 2.40 | 3.66 | 3.59 |
| 0x01 | 1.84 | 1.83 | 2.76 | 2.74 | 0x11 | 2.48 | 2.44 | 3.72 | 3.65 |
| 0x02 | 1.88 | 1.87 | 2.82 | 2.79 | 0x12 | 2.52 | 2.48 | 3.78 | 3.70 |
| 0x03 | 1.92 | 1.91 | 2.88 | 2.85 | 0x13 | 2.56 | 2.52 | 3.84 | 3.76 |
| 0x04 | 1.96 | 1.95 | 2.94 | 2.91 | 0x14 | 2.60 | 2.56 | 3.90 | 3.82 |
| 0x05 | 2.00 | 1.98 | 3.00 | 2.96 | 0x15 | 2.64 | 2.59 | 3.96 | 3.87 |
| 0x06 | 2.04 | 2.02 | 3.06 | 3.02 | 0x16 | 2.68 | 2.63 | 4.02 | 3.93 |
| 0x07 | 2.08 | 2.06 | 3.12 | 3.08 | 0x17 | 2.72 | 2.67 | 4.08 | 3.99 |
| 0x08 | 2.12 | 2.10 | 3.18 | 3.13 | 0x18 | 2.76 | 2.71 | 4.14 | 4.05 |
| 0x09 | 2.16 | 2.14 | 3.24 | 3.19 | 0x19 | 2.80 | 2.75 | 4.20 | 4.10 |
| 0x0A | 2.20 | 2.18 | 3.30 | 3.25 | 0x1A | 2.84 | 2.79 | 4.26 | 4.16 |
| 0x0B | 2.24 | 2.21 | 3.36 | 3.30 | 0x1B | 2.88 | 2.82 | 4.32 | 4.22 |
| 0x0C | 2.28 | 2.25 | 3.42 | 3.36 | 0x1C | 2.92 | 2.86 | 4.38 | 4.27 |
| 0x0D | 2.32 | 2.29 | 3.48 | 3.42 | 0x1D | 2.96 | 2.90 | 4.44 | 4.33 |
| 0x0E | 2.36 | 2.33 | 3.54 | 3.48 | 0x1E | 3.00 | 2.94 | 4.50 | 4.39 |
| 0x0F | 2.40 | 2.37 | 3.60 | 3.53 | 0x1F | 3.04 | 2.98 | 4.56 | 4.44 |

It's a COB test result for reference only.

9.3 2 channel comparators and a two stage OPA with class AB output

| | | | | | |
|-----------------|-----------|-----------|----------|----------|---------------|
| Register | MISC2.b10 | MISC2.b13 | MISC2.b6 | MISC2.b7 | MISC3.b14/b15 |
| Control signal | OPEN | PGAEN | CMP1EN | CMP2EN | CMPO1/2 |
| One-PGA_One-CMP | 0 | 1 | 1 | 0 | |
| One-OP_One-CMP | 1 | 0 | 1 | 0 | |
| Two CMPs | 0 | 0 | 1 | 1 | |

**One PGA one comparator mode



| | | | | | |
|------------|----------------|----|-----|-----|-----|
| Register | Control signal | | | | |
| MISC2.b4 | OFT_SEL0 | 0 | 1 | 0 | 1 |
| MISC2.b5 | OFT_SEL1 | 0 | 0 | 1 | 1 |
| Gain (V/V) | | 50 | 100 | 150 | 200 |

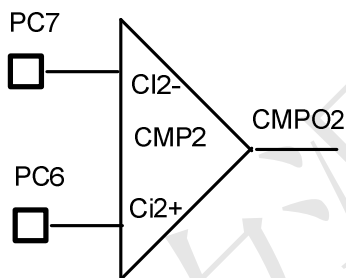
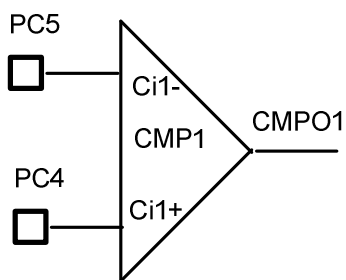


TRSF1604A(C) 16-bit Speech Processor

**One OPA one comparator mode



**Two comparators mode



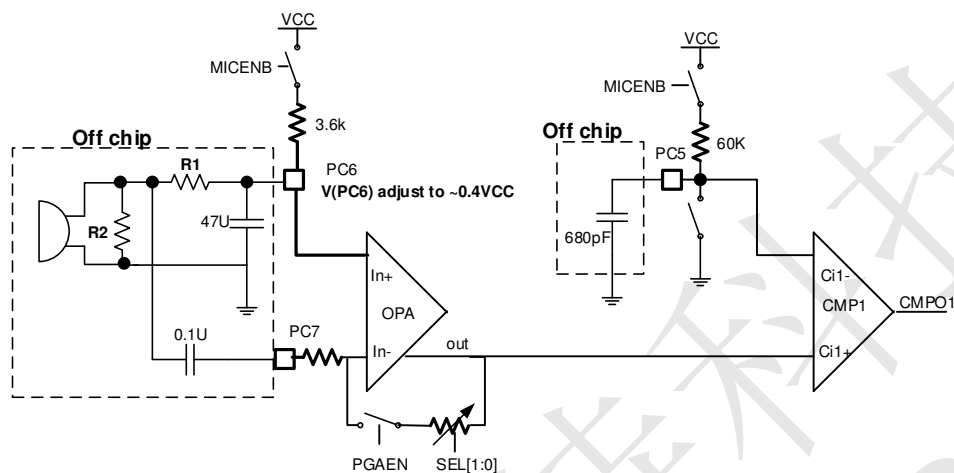


TRSF1604A(C) 16-bit Speech Processor

9.4 Microphone with AGC(Auto Gain Control)

| Register | MISC2.b10 | MISC2.b13 | MISC2.b11 | MISC2.b6 |
|-----------------|-----------|-----------|-----------|----------|
| Control signal | OPEN | PGAEN | RECEN | CMP1EN |
| Mic-pre-amp_PGA | 0 | 1 | 1 | 1 |
| Mic-pre-amp_OP | 1 | 0 | 1 | 1 |

**Mic-preamplifier PGA (support AGC)

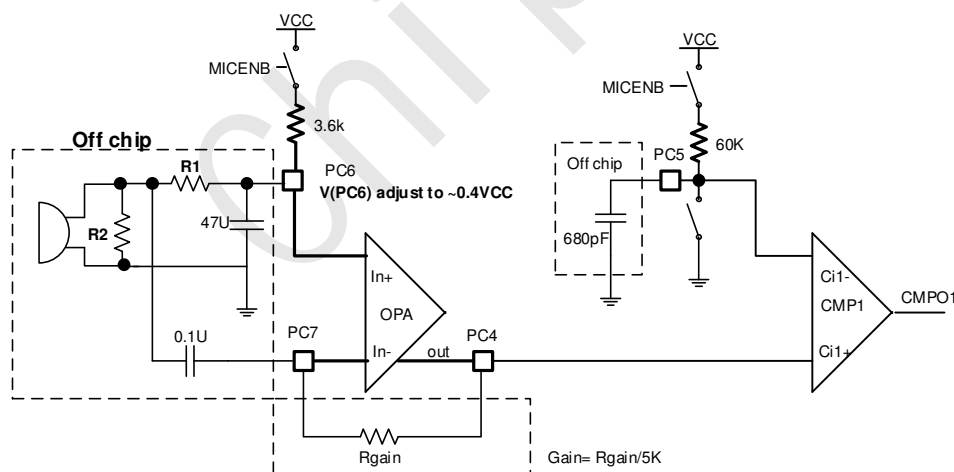


| Register | Control signal | | | | |
|------------|----------------|----|-----|-----|-----|
| MISC2.b4 | OFT_SEL0 | 0 | 1 | 0 | 1 |
| MISC2.b5 | OFT_SEL1 | 0 | 0 | 1 | 1 |
| Gain (V/V) | | 50 | 100 | 150 | 200 |

Recommend value for R1/R2

| VCC | R1 | R2 |
|----------------|----|------|
| 2 cell battery | 2K | N/A |
| 3 cell battery | 2K | 7.5K |

**Mic-preamplifier OP (no support AGC)

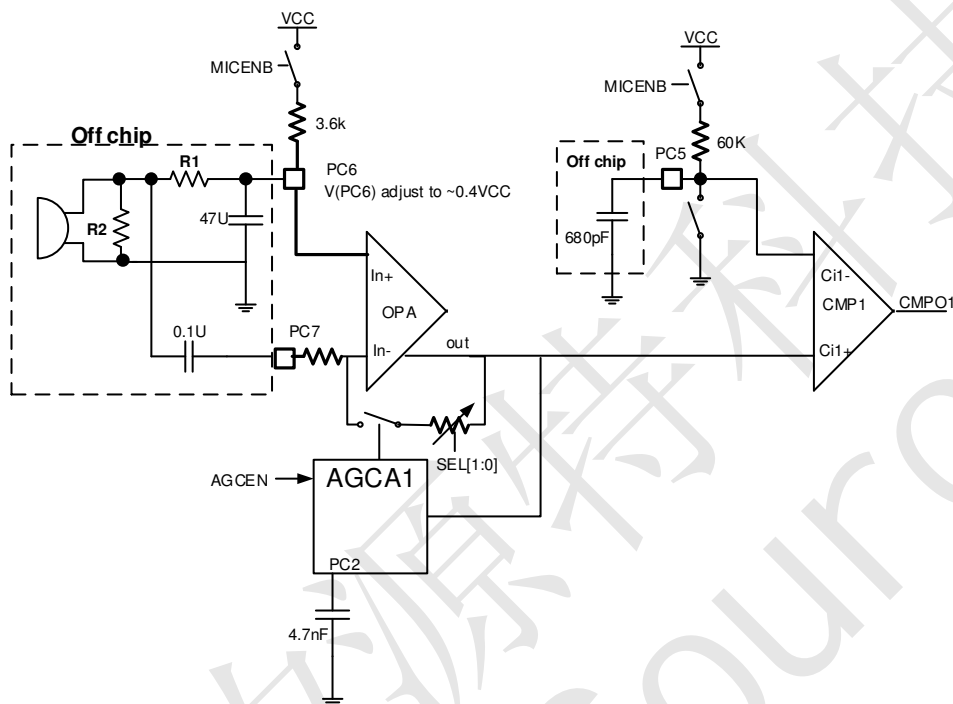




TRSF1604A(C) 16-bit Speech Processor

**AGC function (CAGC=4.7nF)

| Register | MISC2.b10 | MISC2.b13 | MISC2.b11 | MISC2.b6 | MISC2.b14 |
|-----------------------------|-----------|-----------|-----------|----------|-----------|
| Control signal | OPEN | PGAEN | RECEN | CMP1EN | BUZEN |
| Mic-pre-amp_PGA with AGC | 0 | 1 | 1 | 1 | 1 |
| Mic-pre-amp_PGA without AGC | 0 | 1 | 1 | 1 | 0 |



AGC function can work on PGA mode only.



TRSF1604A(C) 16-bit Speech Processor

10. TRSF1604A(C) System Control

10.1 Halt Mode & Wake up

TRSF1604A(C) is changed into HALT mode (system clock stop, RTC stop by Option setup) when HALT instruction executed. It provides a power saving mode for those applications requiring a very low stand-by current. The RTC timer, PA0~PA5, PB0~PB5 and PC0~PC7 are supporting the wake-up MCU function when related I/O port raising/falling edge which selects by program. The program counter will be 04H when HALT instruction executed immediately; in addition, when wake up condition is occurred, MCU will release HALT state and program counter go-to next address after difference stable clock is delayed by option. During the Halt mode period, the SRAM will keep their previous data without changing.

10.2 Watch Dog Timer Reset (WDT)

| Symbol | Adr | Reset | RW | b15/b7 | b14/b6 | b13/b5 | b12/b4 | B11/b3 | b10/b2 | b9/b1 | b8/b0 | Description |
|--------|-----|-------|----|--------|--------|--------|--------|--------|--------|-------|-------|-------------|
| ClrWDT | 1DH | XX | W | | | | | | | | | Clear WDT |

The watch dog timer (WDT) is used to reset whole chip when detect unexpected execution sequence of instructions caused by accident condition, avoiding dead lock of MCU program. Software shall run an "clear watch dog timer"(CLRWDT) instruction before this timer time out. It will generate a reset signal to reset whole system when WDT overflow.

WDT will be reset when wake-up from halt or after power on or software clear. In test mode, watch dog timer will be disabled no matter watch-dog-timer is time-out or not.

The reset watch dog timer code syntax is strongly recommended as: "**CLRWDT = AR**".

10.3 Low Voltage Reset

When VCC power is applied to the chip, the low voltage reset is initially enabled by default, it will be disabled when in halt mode. The internal system reset will be generated if VCC power below the voltage of LVR(option setup). The normal operation of LVR is always enable expect disable in HALT mode.

10.4 Reset System

TRSF1604A(C) reset is come from four signals which are power on reset, low voltage reset(LVR), external IO PB3 or PC3 pin (by option) and WDT overflow reset, as shown in Figure 10.1. A dedicated external resetb input pin (by option) is provided to reset this chip, which has 30K ohm pull up resistor. The operation frequency of MCU will go back to BANK0 mode when reset occurred.



TRSF1604A(C) 16-bit Speech Processor

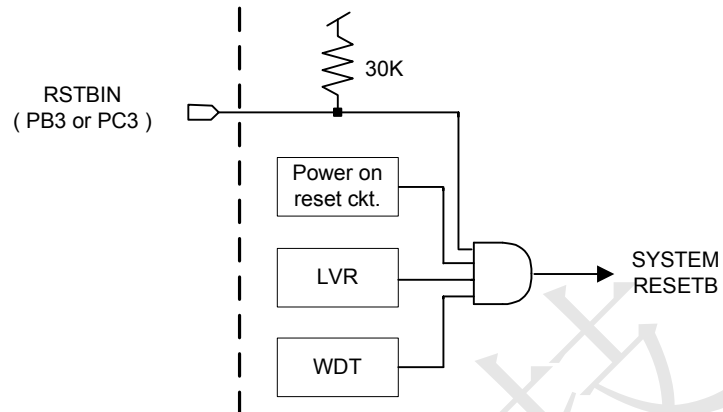


Figure 10.1 Reset system block diagram

10.5 Clock System Architecture

TRSF1604A(C) clock system supports internal ROSC(65.536MHz) for System Clock, and Low power RC oscillator(32768Hz [-30%@1.8V](#) ~ [+30%@5.5V](#)) for RTC function.

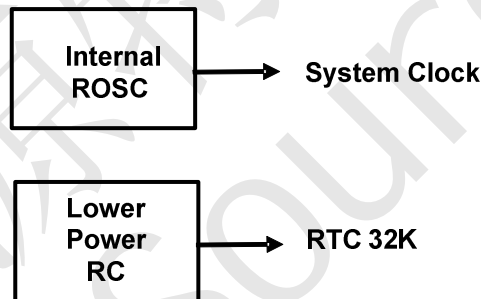


Figure 10.2 Clock System Diagram



TRSF1604A(C) 16-bit Speech Processor

11. TRSF1604A(C) Electrical Characteristics

11.1 Absolute Maximum Rating

| Parameters | Symbol | Value | Unit |
|-----------------------------|--------|-----------------|------|
| DC Supply Voltage | VCC | <5.5 | V |
| Input Voltage | Vin | -0.5 to VCC+0.5 | V |
| Operating Temperature Range | Ta | -20 to 75 | °C |
| Storage Temperature Range | Tstg | -50 to 150 | °C |

11.2 DC/AC Characteristics

VCC=3.0V, Ta=25°C unless otherwise noted

| Parameters | Symbol | Minimum | Typical | Maximum | Test Condition |
|--|---------|-----------------|---------------------|------------------|--|
| Operating voltage | VCC | 1.8 V | - | 5.5 V | |
| Operating frequency (BANK0) | Fbank0 | 8.192MHz ±3% | | 11.916MHz ±3% | |
| Operating frequency (BANK15) | Fbank15 | | 32.768MHz ±3% | | |
| RC oscillator frequency | Frc1 | | 65.536MHz ±3% | | |
| Low power RC oscillator frequency | Frc2 | 32768Hz -30% | | 32768Hz +30% | |
| Normal Sleep Halt Current | Ihalt1 | | 5uA | 9uA | All function off |
| Operating Current | Iop | | 5mA | | no load |
| input high voltage (PortA, PortB, PortC) | VIH | 0.6 VCC | | | Without schmitt trigger |
| input low voltage (PortA, PortB, PortC) | VIL | | | 0.5 VCC | Without schmitt trigger |
| input high voltage (PortI) | VIH | 0.7 VCC | | | With schmitt trigger |
| input low voltage (PortI) | VIL | | | 0.3 VCC | With schmitt trigger |
| output high voltage | Voh | 0.95 VCC | | | no load |
| output low voltage | Vol | | | 0.05 V | no load |
| output high current | Ioh | | 16 mA | | Vout=VCC-0.4V, PortA, B, C, I select strength driving option |
| output low current | Iol | | -16 mA | | Vout=0.4V PortA, B, C, I select strength driving option |
| pull-down resistance | Rpd | | 50K/220K/ 1M ohm | | pins with pull-down, Port A,B,C, I |
| PWM driving current | | | 350 mA | | VPD=5.0V |
| PWM sink current | | | 400 mA | | VPD=5.0V |



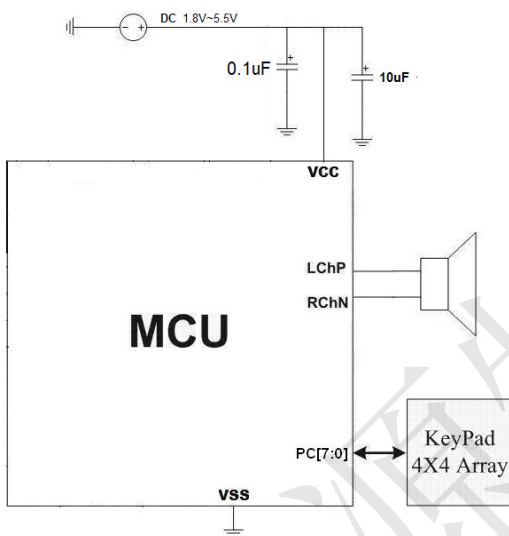
TRSF1604A(C) 16-bit Speech Processor

12. TRSF1604A(C) Application Circuit

Application Circuit: Mono16-bit PWM output

Notice:

1. VCC Decoupling Cap 10uF should be close to IC within 0.5cm.
2. VCC Decoupling Cap 0.1uF should be close to IC within 0.5cm.
3. The width of VCC and VSS power line should be greater than 30 mil in PCB layout.





TRSF1604A(C) 16-bit Speech Processor

13. TRSF1604A(C) Appendix:

Appendix 1: PORT A PIN MAP RELATE TO FUNCTION

| | PORT A[5:0] | | | | | |
|-----------------|-------------|---|---------|----------|----------|---|
| | 5 | 4 | 3 | 2 | 1 | 0 |
| 2 Ch Comparator | | | | | | |
| SPI (Master) | | | | | | |
| ICE | | | | | | |
| IR 38K | | | IR_38KO | | | |
| EXT-RESETB | | | | | | |
| EXT-INT | | | | EXT_INT1 | EXT_INT0 | |

Appendix 2: PORT B PIN MAP RELATE TO FUNCTION

| | PORT B[5:0] | | | | | |
|-----------------|-------------|---|-------------|--------|---------|-----|
| | 5 | 4 | 3 | 2 | 1 | 0 |
| 2 Ch Comparator | | | | | | |
| SPI (Master) | CS | | | SO(in) | SI(out) | CLK |
| ICE | | | | | | |
| IR 38K | | | | | | |
| EXT-RESETB | | | EXT-RSTB(0) | | | |
| EXT-INT | | | | | | |



TRSF1604A(C) 16-bit Speech Processor

Appendix 3: PORT C PIN MAP RELATE TO FUNCTION

| | PORT C[7:0] | | | | | | | |
|-----------------|-------------|-------|-------|-------|-------------|-----|---|---|
| | 7 | 6 | 5 | 4 | 3 | 2 | 1 | 0 |
| 2 Ch Comparator | CAP2- | CAP2+ | CAP1- | CAP1+ | | AGC | | |
| SPI (Master) | | | | | | | | |
| ICE | | | | | | | | |
| IR 38K | | | | | | | | |
| EXT-RESETB | | | | | EXT-RSTB(I) | | | |
| EXT-INT | | | | | | | | |

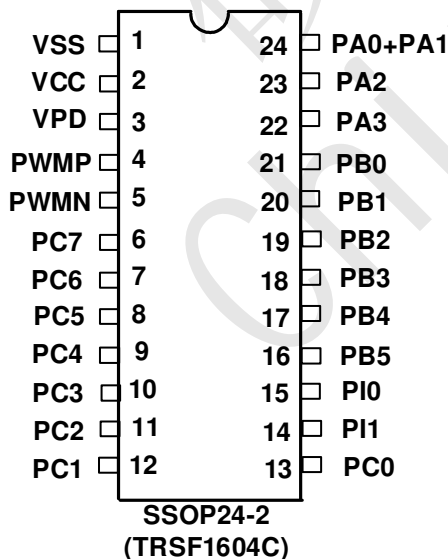
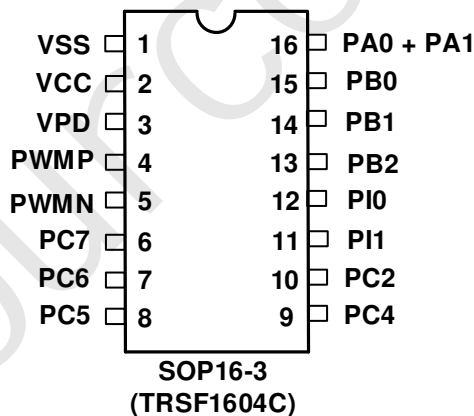
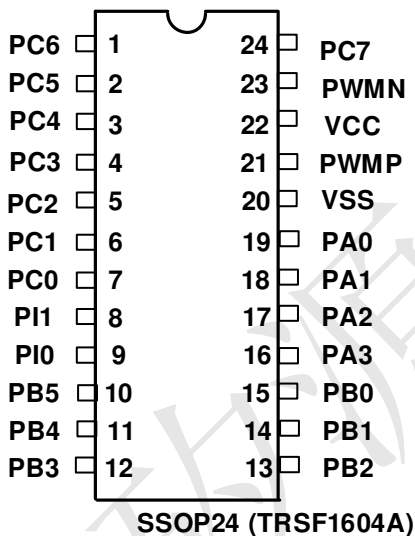
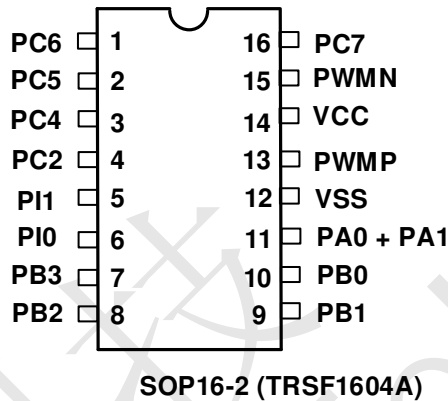
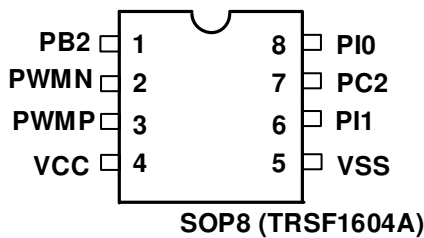
Appendix 4: PORT I PIN MAP RELATE TO FUNCTION

| | PORT I[1:0] | |
|-----------------|-------------|-------------|
| | 1 | 0 |
| 2 Ch Comparator | | |
| SPI (Master) | | |
| ICE | ICE_SCLK(I) | ICE_SD(I/O) |
| IR 38K | | |
| EXT-RESETB | | |
| EXT-INT | | |



TRSF1604A(C) 16-bit Speech Processor

14. TRSF1604A(C) Package: SOP8 / SOP16-2 / SOP16-3 / SSOP24 / SSOP24-2

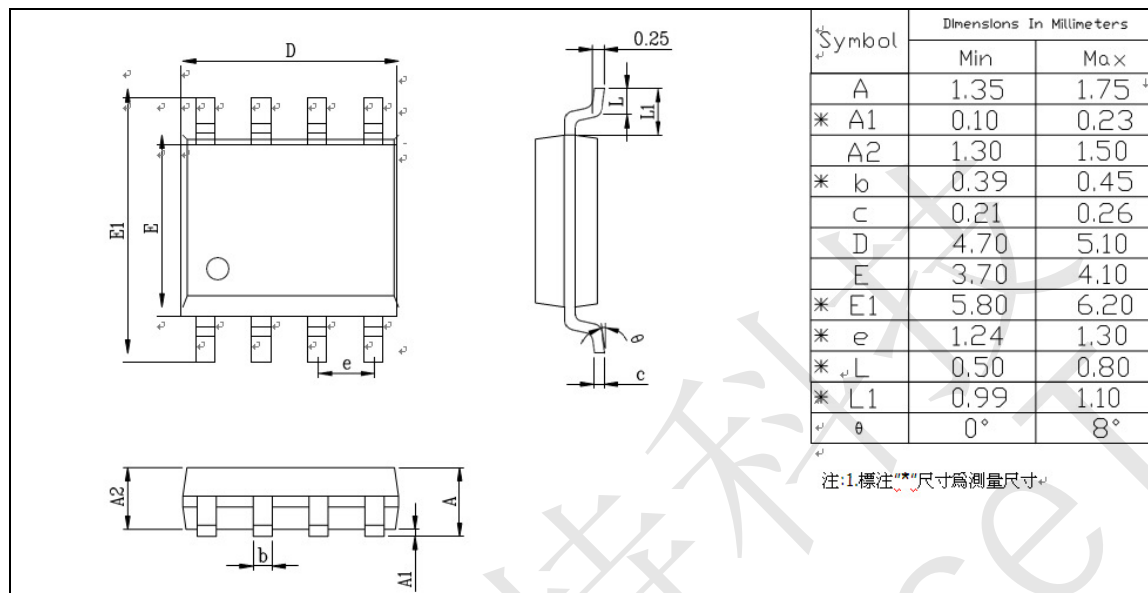




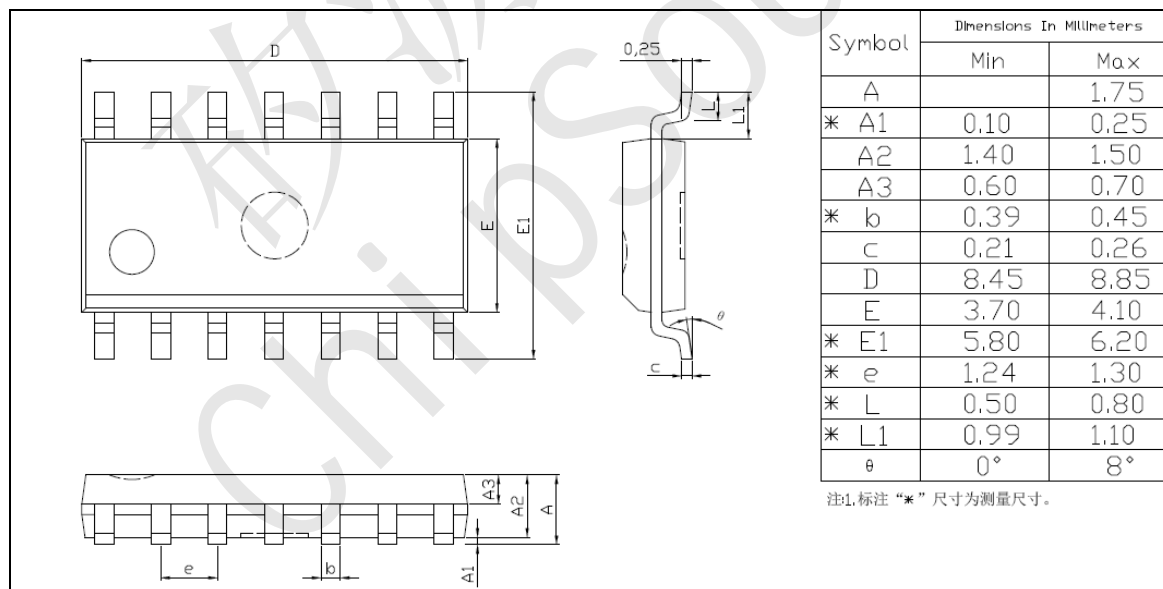
TRSF1604A(C) 16-bit Speech Processor

TRSF1604A(C) PACKAGE INFORMATION

SOP08



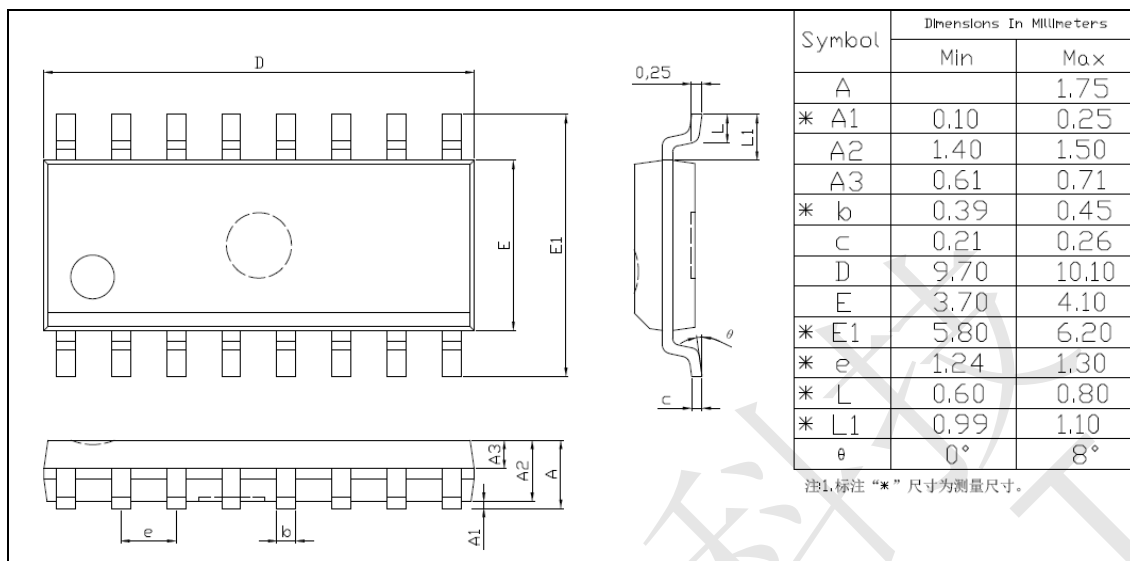
SOP14



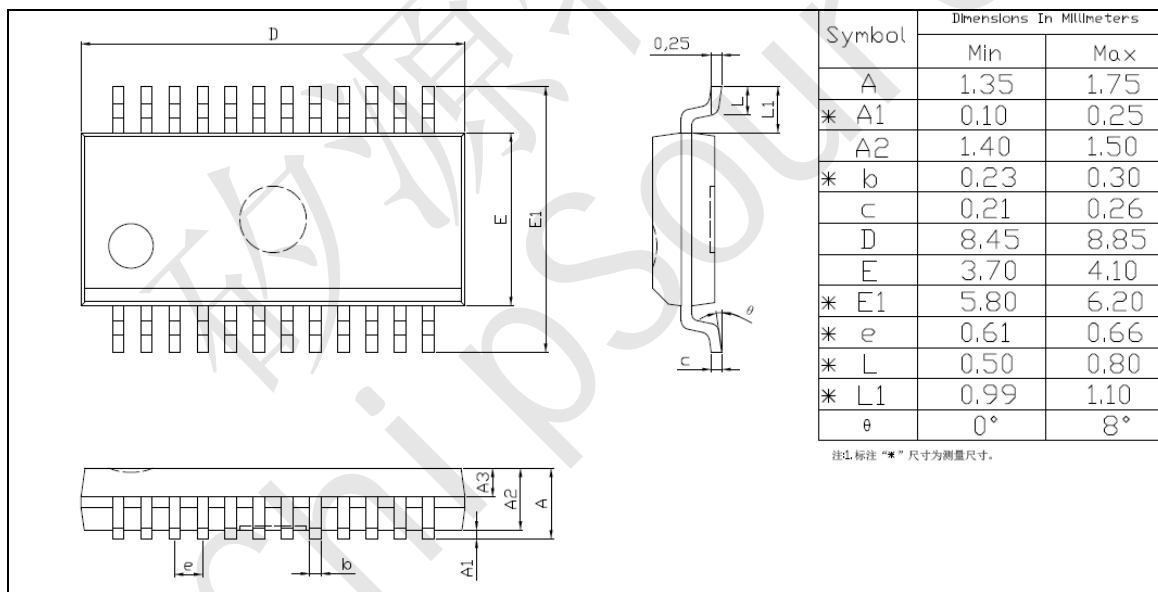


TRSF1604A(C) 16-bit Speech Processor

SOP16



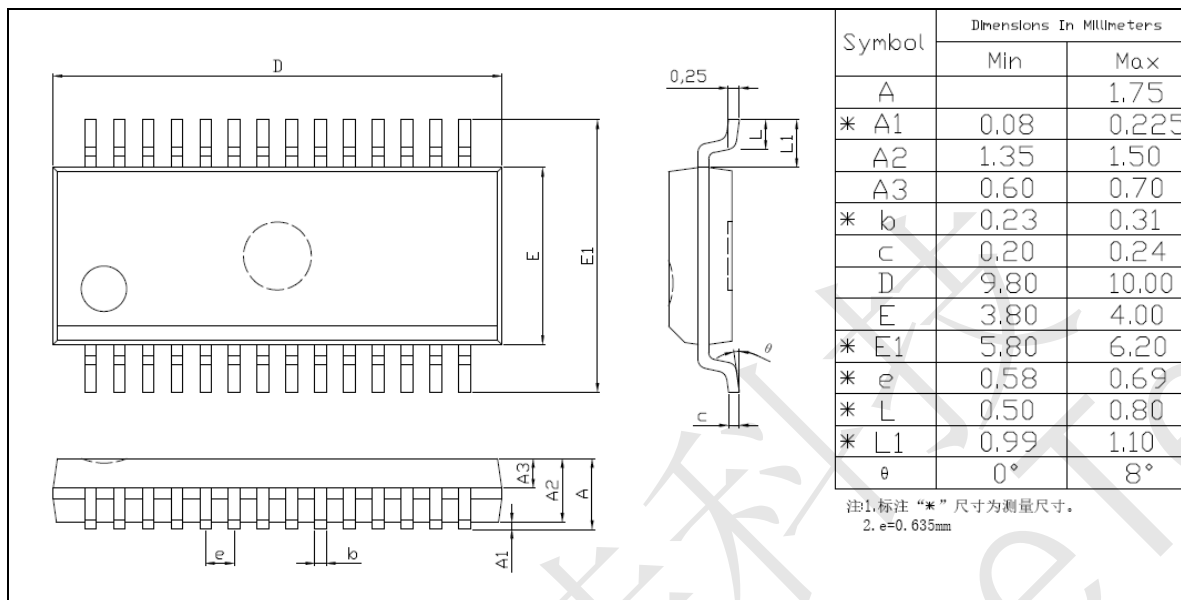
SSOP24





TRSF1604A(C) 16-bit Speech Processor

SSOP28





TRSF1604A(C) 16-bit Speech Processor

15. TRSF1604A(C) SPI Operation Sequence:

A1.0 Initial Process

```
set io[IOC_PB].b5 // set output port
set io[STATUS].b8 // Enable SPI Control

set io[PortB].b5 // CS=1
ar = io[SPI_CTRL]
set ar.b11 // set ICS = 1
io[SPI_CTRL] = ar
```

A1.1 Sending Data Process

```
clr io[PortB].b5 // CS = 0
ar = io[SPI_CTRL]
clr ar.b11 // ICS = 0
io[SPI_CTRL] = ar
```

SPI_write_data:

```
ar = data
io[SPI_DATA] = ar; // write data

ar = 0x12; // set total byte number & send data
ah = 0x10; // speed 16M
io[SPI_CTRL] = ar; //set SEND = 1;
call Check_Tran_OK

set io[PortB].b5 // CS = 1
ar = io[SPI_CTRL]
set ar.b11 // ICS = 1
io[SPI_CTRL] = ar
```

Check_Tran_OK:

```
ar = io[SPI_CTRL]
test ar.b7
if eq jmp Check_Tran_OK
```

Check_Tran_OK_End:

```
rets
```



TRSF1604A(C) 16-bit Speech Processor

A1.2 Receiving Data Process

```
clr io[PortB].b5           // CS =0
ar = io[SPI_CTRL]
clr ar.b11                 // ICS = 0
io[SPI_CTRL] = ar
```

SPI_read_data:

```
ar = 0x22;                // set total byte number & receive data
ah = 0x10;                // speed 16M
io[SPI_CTRL] = ar;       //set RCV = 1;
call Check_Tran_OK
ar = io[SPI_DATA];       // read data

set io[PortB].b5         // CS =1
ar = io[SPI_CTRL]
set ar.b11               // ICS = 1
io[SPI_CTRL] = ar
```

Check_Tran_OK:

```
ar = io[SPI_CTRL]
test ar.b7
if eq jmp Check_Tran_OK
```

Check_Tran_OK_End:

```
rets
```

矽源特科技
ChipSourceTek



16. TRSF1604A(C) Revision history

| REVISION | DESCRIPTION | PAGE | DATE |
|----------|--|-----------|------------|
| V1.0 | New establish | | 2022/6/27 |
| V1.1 | TRSF1604A(C) do not support ultra-deep sleep. | 3 | 2022/11/8 |
| | PortC2 are forbidden to be connected with pull-up resistance. | 3, 6 | |
| | Remove SOP16 package | 47 | |
| | New add SOP16-3 / SSOP24-2 package For TRSF1604C | 47 | |
| V1.2 | Remove Buzzer and speaker wake up. (MISC1 bit10, MISC2 bit 12 and MISC2 bit14 should be set to 0.) | 9, 10, 11 | 2022/12/28 |
| V1.3 | Add TRSF1604A comment to package chapter | 46 | 2023/1/16 |
| V1.4 | PortC2 are forbidden to be connected with VCC or pull-up resistance. | 3, 6 | 2023/4/17 |
| | Address 1DH: RealT register | 9, 11 | |
| | Add MISC2.b14 BUZEN(AGC) control bit | 9, 11 | |
| | Modify 9.4 about BUZEN(AGC) control bit | 38, 39 | |
| V1.5 | Remove ATT[1:0] and THR[1:0] signal of AGCA1 block. | 39 | 2023/7/12 |