

AGENT : HI-REL (H.K.) LTD.

SPECIFICATION
OF
THERMOPILE
INFRARED SENSOR

MODEL NO. TS-1AMB

PART NO. _____

AGENT : HI-REL (H.K.) LTD.

THERMOPILE INFRARED SENSOR MODEL NO. TS-1AMB	PAGE 1 / 6	DRAWING NO. 0506005	REV. : A
	NIPPON CERAMIC CO., LTD.		
APPROVED BY <i>[Signature]</i>	CHECKED BY <i>S. Kimura</i>	DRAWN BY <i>S. Nakase</i>	

SCOPE

THIS SPECIFICATION DESCRIBES A THERMOPILE INFRARED SENSOR SUPPLIED BY NIPPON CERAMIC CO., LTD.

TYPE OF SENSOR

SINGLE ELEMENT TYPE.

PHYSICAL CONFIGURATION

- 1) PACKAGE : TO-18 METAL CAN WITH DIMENSIONS SHOWN IN FIGURE 1-C (GOLD-PLATED)
- 2) ELEMENT GEOMETRY : SENSITIVE AREA 0.5 mm²
- 3) ELEMENT ORIENTATION : SEE FIGURE 1-B
- 4) LEAD CONFIGURATION : SEE FIGURE 1-C, 1-D

ELECTRICAL CHARACTERISTICS (AT 25 ± 5 °C)

- 1) CIRCUIT CONFIGURATION : FOUR-TERMINAL SENSOR
SEE FIGURE 2
- 2) SIGNAL OUTPUT : 200 mVo-p ± 30%

SIGNAL OUTPUT IS MEASURED BY USING SHUTTER WHEN CONNECTED TO THE AMPLIFIER OF GAIN 74 dB (AT 1 Hz) AND SUBMITTED TO THE EMISSION OF INFRARED ENERGY OF 167 μW/cm² FROM 700K BLACK BODY.
SEE FIGURE 3

- 3) RESISTANCE OF THERMOPILE (Pin 1 & Pin 3)
: 50KΩ ± 15 KΩ (at 25°C)

OPTICAL CHARACTERISTICS

- 1) FIELD OF VIEW : 113° FROM CENTER OF SENSITIVE ELEMENT
: SEE FIGURE 1-A
- 2) FILTER SUBSTRATE : SILICON
- 3) CUT ON (5% TABS) : 5.0 ± 0.5 μm
- 4) TRANSMISSION : ≥ 70 % AVERAGE 7.0 ~ 14 μm

MODEL NO. : TS-1AMB

PART NO. :

PAGE
2 / 6

DRAWING NO.
0506005

REV :
A

Ⓒ NIPPON CERAMIC CO., LTD.

ENVIRONMENTAL REQUIREMENTS

1) OPERATING TEMPERATURE : -20 °C TO +50 °C

2) STORAGE TEMPERATURE : -30 °C TO +70 °C

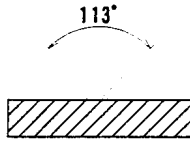
3) RELATIVE HUMIDITY :

THE SENSOR SHALL OPERATE WITHOUT INCREASE IN NOISE OUTPUT WHEN EXPOSED TO 90 ~ 95 % RH AT 30 °C CONTINUOUSLY.

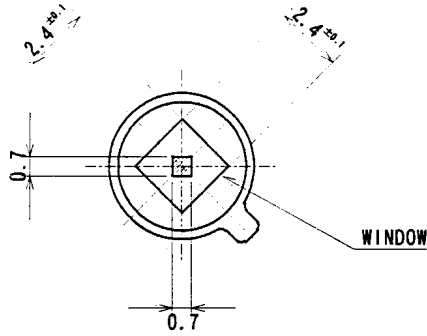
MODEL NO. : TS-1AMB PART NO. :	PAGE 3 / 6	DRAWING NO. 0506005	REV : A
	NIPPON CERAMIC CO., LTD.		

CONFIGURATION (FIGURE 1)

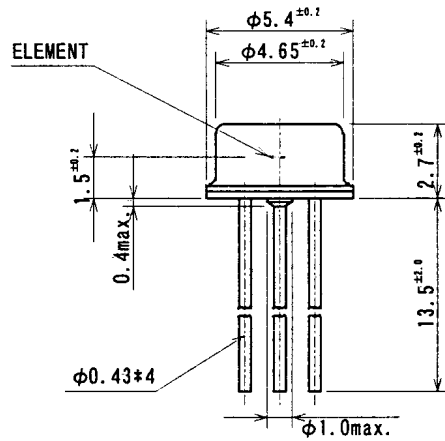
FIELD OF VIEW
(FIGURE 1-A)



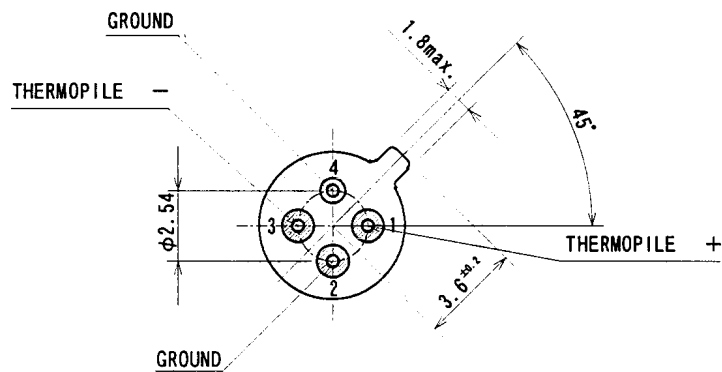
TOP VIEW
(FIGURE 1-B)



SIDE VIEW
(FIGURE 1-C)



BASE VIEW
(FIGURE 1-D)



- 1: THERMOPILE +
- 2: GROUND
- 3: THERMOPILE -
- 4: GROUND

UNIT : mm

MODEL NO. : TS-1AMB
PART NO. :

PAGE
4 / 6

DRAWING NO.
0506005

REV :
A

Ⓢ NIPPON CERAMIC CO., LTD.

※ NOTES

1. DESIGN RESTRICTIONS/PRECAUTIONS

FOR OUTDOOR APPLICATIONS, BE SURE TO APPLY SUITABLE SUPPLEMENTARY OPTICAL FILTER AND DRIP-PROOF, ANTI-DEW CONSTRUCTION. THIS SENSOR IS DESIGNED FOR INDOOR USE. IN CASES WHERE SECONDARY ACCIDENTS DUE TO OPERATION FAILURE OR MALFUNCTIONS CAN BE ANTICIPATED, ADD A FAIL SAFE FUNCTION TO THE DESIGN.

2. USAGE RESTRICTIONS/PRECAUTIONS

TO PREVENT SENSOR MALFUNCTIONS, OPERATIONAL FAILURE OR ANY DETERIORATION OF ITS CHARACTERISTICS, DO NOT USE THIS SENSOR IN THE FOLLOWING, OR SIMILAR, CONDITIONS.

- A. IN RAPID ENVIRONMENTAL TEMPERATURE CHANGES.
- B. IN STRONG SHOCK OR VIBRATION.
- C. IN A PLACE WHERE THERE ARE OBSTRUCTING MATERIALS (GLASS, FOG, ETC.) THROUGH WHICH INFRARED RAYS CANNOT PASS WITHIN DETECTION AREA.
- D. IN FLUID, CORROSIVE GASES AND SEA BREEZE.
- E. CONTINUAL USE IN HIGH HUMIDITY ATMOSPHERE.
- F. IN FIELD OF STATIC ELECTRICITY OR STRONG ELECTROMAGNETIC WAVES.
- G. EXPOSED TO DIRECT WIND FROM A HEATER OR AIR CONDITIONER.

3. ASSEMBLY RESTRICTIONS/PRECAUTIONS

SOLDERING -----

- A. USE SOLDERING IRONS WHEN SOLDERING.
- B. AVOID KEEPING PINS OF THIS SENSOR HOT FOR A LONG TIME AS EXCESSIVE HEAT MAY CAUSE DETERIORATION OF ITS QUALITY. (E.G. WITHIN 10 SEC. AT 260 °C)

WASHING -----

- A. BE SURE TO WASH OUT ALL FLUX AFTER SOLDERING AS REMAINDER MAY CAUSE MALFUNCTIONS.
- B. USE A BRUSH WHEN WASHING. WASHING WITH AN ULTRASONIC CLEANER MAY CAUSE OPERATIONAL FAILURE.

4. HANDLING AND STORAGE RESTRICTIONS/PRECAUTIONS

TO PREVENT SENSOR MALFUNCTIONS, OPERATIONAL FAILURE, APPEARANCE DAMAGE OR ANY DETERIORATION OF ITS CHARACTERISTICS, DO NOT EXPOSE THIS SENSOR TO THE FOLLOWING OR SIMILAR, HANDLING AND STORAGE CONDITIONS.

- A. VIBRATION FOR A LONG TIME.
- B. STRONG SHOCK.
- C. STATIC ELECTRICITY OR STRONG ELECTROMAGNETIC WAVES.
- D. HIGH & LOW TEMPERATURE AND HUMIDITY FOR A LONG TIME.
- E. CORROSIVE GASES OR SEA BREEZE.
- F. DIRTY AND DUSTY ENVIRONMENTS THAT MAY CONTAMINATE THE OPTICAL WINDOW.

SENSOR TROUBLES RESULTING FROM MISUSE, INAPPROPRIATE HANDLING OR STORAGE ARE NOT THE MANUFACTURER'S RESPONSIBILITY.

MODEL NO. : TS-1AMB

PAGE
6 / 6

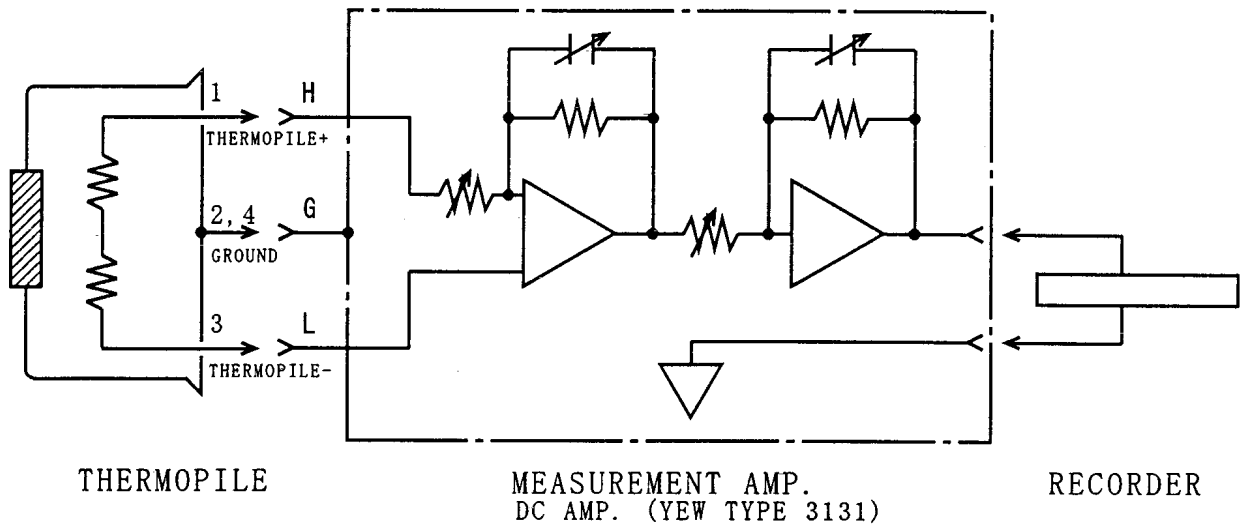
DRAWING NO.
0506005

REV :
A

PART NO. :

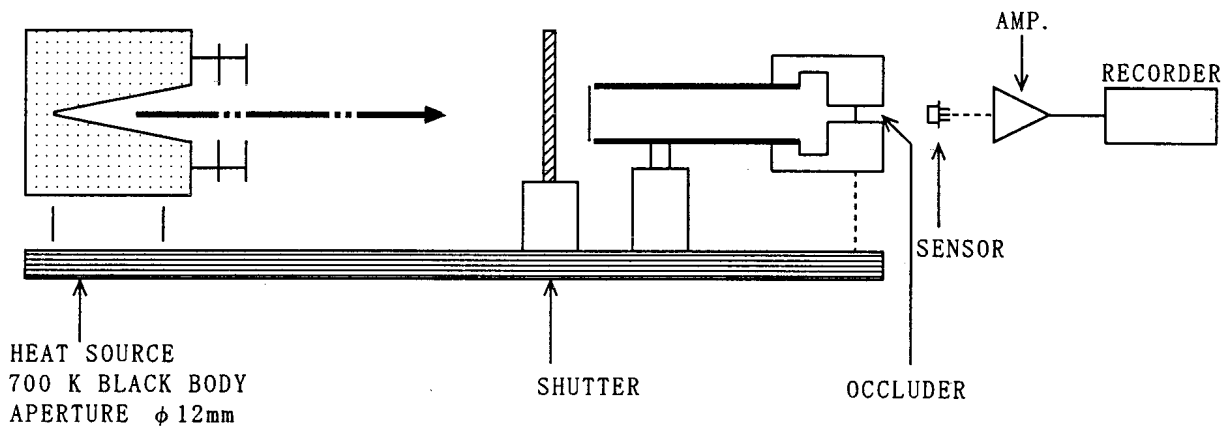
Ⓒ NIPPON CERAMIC CO., LTD.

CIRCUIT CONFIGURATION (FIGURE 2)

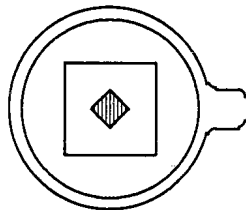


※ MEASUREMENT AMP.: DC AMP. YEW TYPE 3131, GAIN 74 dB AT 1 Hz.

TEST SET-UP BLOCK DIAGRAM (FIGURE 3)



OCCLUDER POSITION



SIGNAL OUTPUT

MODEL NO. : TS-1AMB

PART NO. :

PAGE
 5 / 6

DRAWING NO.
 0506005

REV :
 A

© NIPPON CERAMIC CO., LTD.