



TS1100S

MICRO SURFACE MOUNT SCHOTTKY BRIDGE

VOLTAGE 100 Volts **CURRENT** 1.0 Amperes

TDI(MICRO DIP)

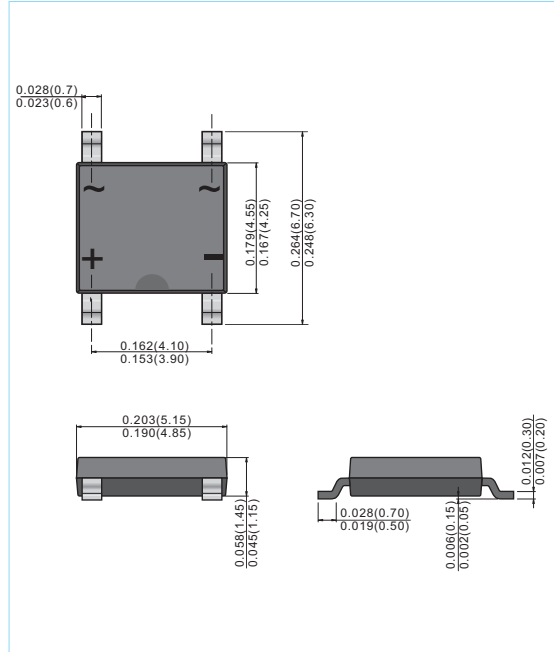
Unit : inch(mm)

FEATURES

- Plastic package has Underwriters Laboratory Flammability Classification 94V-O. Flame Retardant Epoxy Molding Compound.
- Exceeds environmental standards of MIL-S-19500/228
- Low power loss, high efficiency.
- Low forward voltage, high current capability
- High surge capacity.
- Super fast recovery times, high voltage.
- Epitaxial chip construction.
- In compliance with EU RoHS 2002/95/EC directives

MECHANICAL DATA

- Case: MDI Molded plastic
- Terminals: Lead solderable per MIL-STD-750, Method 2026
- Polarity: As marked.
- Standard packaging: Any
- Weight: 0.090 grams.



ABSOLUTE MAXIMUM RATINGS (If not specified $T_A=25^{\circ}\text{C}$)

PARAMETER	SYMBOL	TS1100S	UNITS
Maximum Peak Repetitive Reverse Voltage	V_{RRM}	100	V
Maximum RMS Reverse Voltage	V_{RMS}	71	V
Maximum DC Blocking Voltage	V_{DC}	100	V
Maximum Average Forward Current $T_c = 50^{\circ}\text{C}$	$I_{F(AV)}$	1	A
Non-Repetitive Peak Surge Current (Surge applied at rate Load conditions halfwave, single phase, 60Hz)	I_{FSM}	30	A
Maximum Thermal Resistance	$R_{\theta JA}$	85	$^{\circ}\text{C}/\text{W}$
Operating Junction and Storage Temperature Range	T_J, T_{STG}	-50 to +125	$^{\circ}\text{C}$

PRELIMINARY



TS1100S

ELECTRICAL CHARACTERISTICS (If not specified $T_A=25^{\circ}\text{C}$)

PARAMETER	SYMBOL	CONDITIONS	MIN	TYP	MAX.	UNIT
Reverse Current	I_R	$V_R=100\text{V}$	-	0.3	10	μA
Reverse breakdown voltage	$V_{(BR)}$	$I_R=150\mu\text{A}$	100	115	-	V
Forward Voltage	V_F	$I_F=500\text{mA}$		650	700	mV
Forward Voltage	V_F	$I_F=1\text{A}$		730	750	mV
Typical Junction capacitance (Note 1)	C_J	$V_R=4\text{V}, f=1\text{MHz}$	-	85	-	pF

RATING AND CHARACTERISTIC CURVES

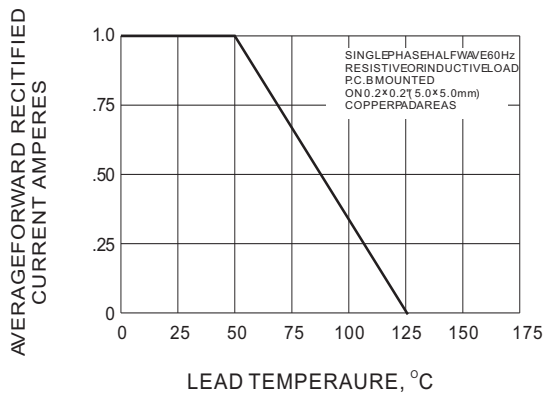


Fig.1- FORWARD CURRENT DERATING CURVE

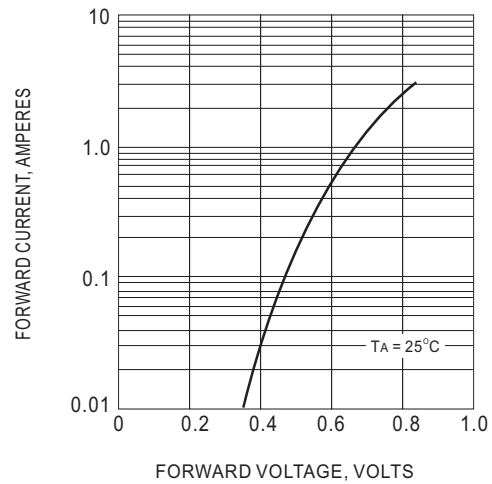


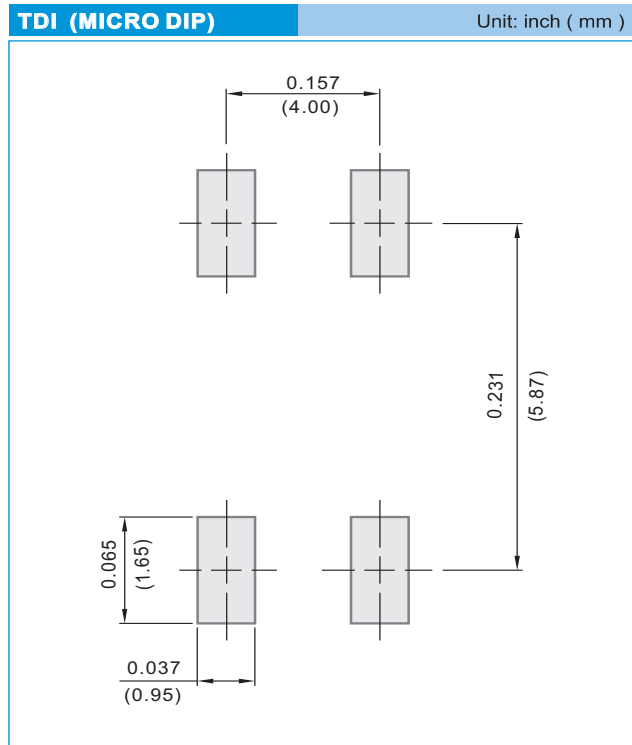
Fig.4- TYPICAL INSTANTANEOUS FORWARD CHARACTERISTIC

PRELIMINARY



TS1100S

MOUNTING PAD LAYOUT



ORDER INFORMATION

- Packing information
 - T/R - 4K per 13" plastic Reel
 - T/R - 1K per 7" plastic Reel

LEGAL STATEMENT

Copyright PanJit International, Inc 2009

The information presented in this document is believed to be accurate and reliable. The specifications and information herein are subject to change without notice. Pan Jit makes no warranty, representation or guarantee regarding the suitability of its products for any particular purpose. Pan Jit products are not authorized for use in life support devices or systems. Pan Jit does not convey any license under its patent rights or rights of others.