

### POWER MANAGEMENT

#### Features

- Low Quiescent Operating Currents  
15µA in ON state  
2mA in Sensing Mode
- Switch to controller scalable galvanic isolation
- Single control signal for input commands  
Microcontroller-compatible levels
- Switch Characteristics  
Bi-directional blocking in OFF state  
Up to 60V FETs supported  
Up to 10A current during inrush  
and 5A continuous operation
- Operating Modes  
Zero-cross ON / OFF  
Immediate ON / OFF  
Dithering Mode for system power sharing  
Switch state polling
- Sensing Modes for system data acquisition

#### Summary Specification

- Junction operating temperature -40 °C to 125 °C
- Packaged in a 20 pin QFN (3mm x 3mm)
- Product is lead-free, Halogen Free, RoHS / WEEE compliant

#### Description

The TS13401 is a galvanically isolated 60V power FET driver with bi-directional blocking. The state of the switch and other product features are controlled by sending commands on the CLK input.

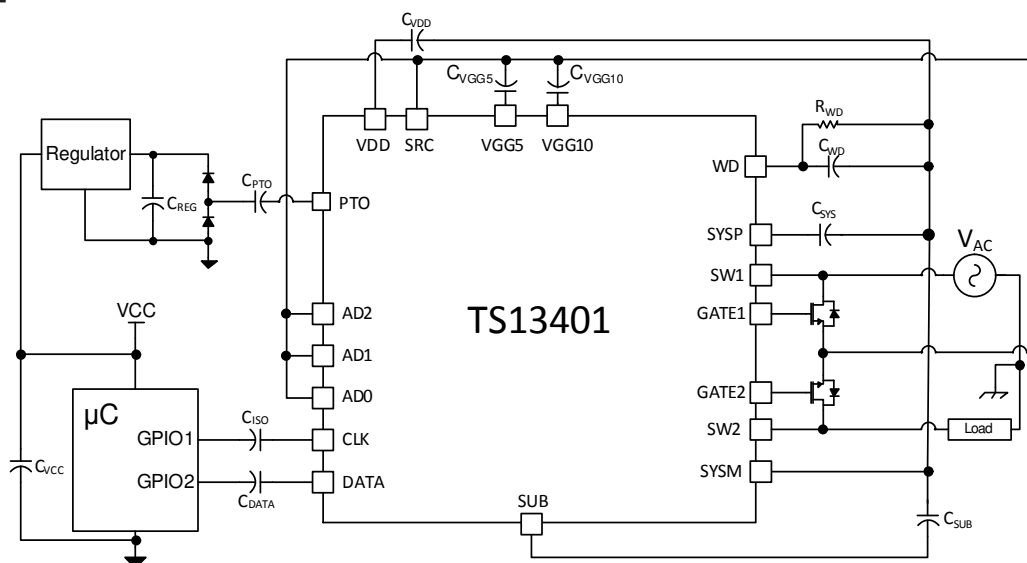
The TS13401 supports several sensing modes where the switch state, load current, supply voltage and device temperature can be sampled. The digitized measurements can be read back from the device on the DATA pin when requested on the CLK pin. In addition, TS13401 supports power transfer from the system's AC supply to the low-voltage controller domain.

The TS13401 includes several protection features. The switch will open in self protection if current exceeds the over-current limit or if the device temperature limit is exceeded. The switch will remain open until a new turn on sequence is given through CLK.

#### Applications

- Power load/rail switching
- Input supply multiplexing
- Isolated power supplies
- Solid state relays
- HVAC control
- Sprinkler control
- Internet of Things (IoT)

### Typical Application



## Pin Description

Pin Symbol	Pin #	Function	Description
SUB	1	IC Substrate Connection	Connect substrate capacitor from SUB to SYSM
SYSP	2	Positive System Voltage	Power is harvested from the SW pins
SYSM	3	Negative System Voltage	Power is harvested from the SW pins
VDD	4	Bias Voltage Output	Connect VDD Capacitor to SYSM
PTO	5	Power Transfer Output	Connect to Power Transfer Capacitor $C_{PTO}$
CLK	6	Clock Input	Galvanically Isolated Clock Input
DATA	7	Data Output	Galvanically Isolated Data Output
AD2	8	Address Select 2	For logic 0, must be tied to SRC on PCB For logic 1, must be tied to VGG5 on PCB
AD1	9	Address Select 1	For logic 0, must be tied to SRC on PCB For logic 1, must be tied to VGG5 on PCB
N/C	10	No Connect	
AD0	11	Address Select 0	For logic 0, must be tied to SRC on PCB For logic 1, must be tied to VGG5 on PCB
WD	12	Watch Dog	Control input for latching vs non-latching switch
SRC	13	Source	Bulk connection of switch, connect to VGG5, VGG10 capacitors
VGG5	14	Bias Voltage Output	Connect VGG5 Capacitor to SRC
VGG10	15	Bias Voltage Output	Connect VGG10 Capacitor to SRC
SW2	16	Switch Output Node 2	
GATE2	17	Gate 2	Connect to gate of switch between SRC and SW2
SRC	18	Source	Connect to source of external switches
GATE1	19	Gate 1	Connect to gate of switch between SRC and SW1
SW1	20	Switch Output Node 1	
SUB	PAD	Thermal Input	Connect thermally to the FET chip

# Functional Block Diagram

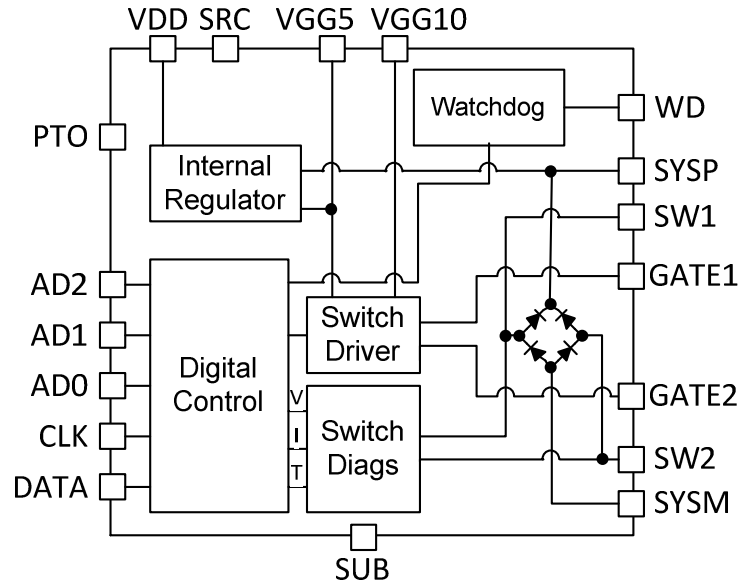


Figure 1: TS13401 Block Diagram

## Absolute Maximum Ratings

Over operating free-air temperature range unless otherwise noted<sup>(1,4)</sup>

Parameter	Range	Unit
SW1, SW2 <sup>(2)</sup>	-1 to 60	V
SYSP, SYSM, PTO <sup>(3)</sup>	-1 to 60	V
CLK, DATA, VDD, AD2, AD1, AD0, WD <sup>(3)</sup>	-0.3 to 5.5	V
VGG5 <sup>(2)</sup>	-0.3 to 5.5	V
GATE1, GATE2, VGG10 <sup>(2)</sup>	-0.3 to 11	V
SUB <sup>(2)</sup>	-55 to 0.3	V
Operating Junction Temperature Range, T <sub>J</sub>	-40 to 125	°C
Storage Temperature Range, T <sub>STG</sub>	-65 to 150	°C
Electrostatic Discharge – Human Body Model	±2k	V
Electrostatic Discharge – Charged Device Model	+/-500	V
Peak IR Reflow Temperature (10 to 30 seconds)	260	°C

Notes:

- (1) Stresses beyond those listed under "absolute maximum ratings" may cause permanent damage to the device. These are stress ratings only and functional operation of the device at these or any other conditions beyond those indicated under "recommended operating conditions" is not implied. Exposure to absolute-maximum-rated conditions for extended periods may affect device reliability.
- (2) Voltage values are with respect to SRC terminal.
- (3) Voltage values are with respect to SYSM terminal.
- (4) ESD testing is performed according to the respective JEDEC standard.

## Thermal Characteristics

Symbol	Parameter	Value	Unit
$\theta_{JC}$	Thermal Resistance Junction to Case <sup>(1)</sup>	50	°C/W
$T_{STG}$	Storage Temperature Range	-65 to 150	°C
$T_{JMAX}$	Maximum Junction Temperature	150	°C
$T_J$	Operating Junction Temperature Range	-40 to 125	°C

Notes:

(1) Case Temperature is measured in the center of the case at the bottom of the package adjacent to the circuit board.

## Recommended Operating Conditions

Symbol	Parameter	Min	Typ	Max	Unit
$V_{SW}$	AC Switch Voltage		24	36	$V_{RMS}$
$C_{DATA}$	Data Isolation Capacitor		100		pF
$C_{ISO}$	Clock Isolation Capacitor		220		pF
$C_{PTO}$	Power Transfer Capacitor		10		nF
$C_{VDD}$	VDD Capacitor		470		nF
$C_{VGG5}$	VGG5 Capacitor		470		nF
$C_{VGG10}$	VGG10 Capacitor		470		nF
$C_{SUB}$	Sub Capacitor		100		nF
$C_{WD}$	Watch Dog Timer Capacitor		22		nF
$R_{WD}$	Watch Dog Timer Resistor	100k	1M		$\Omega$
$C_{SYS}$	VSYS Capacitor		2		$\mu F$
$R_{SYSP}$	SYSP Resistor		100		$\Omega$
$R_{SYSTEM}$	SYSTEM Resistor		100		$\Omega$
$V_{CLK}$	Clock Drive Voltage	1.7		5.5	V
$T_{CLK}$	Clock Period	0.8	1	1.2	$\mu s$
$T_{BIT}$	Bit Period	7	8	10	$\mu s$
$T_{RESET}$	Reset Time	18			$\mu s$

# Electrical Characteristics

Electrical Characteristics,  $T_J = -40^{\circ}\text{C}$  to  $125^{\circ}\text{C}$  (unless otherwise noted)

Symbol	Parameter	Condition	Min	Typ	Max	Unit
<b>Supply Voltages</b>						
$I_{\text{SYSP}}$	System Supply Current	Latch Mode		15	20	$\mu\text{A}$
$I_{\text{SYSP\_CONV}}$	System Supply Current- Converting	Switch on, sensing enabled, converting			2	$\text{mA}$
$V_{\text{DD}}$	VDD Bias Output Voltage	With respect to SYSP	4.5	5.0	5.5	V
$V_{\text{GG5}}$	VGG5 Bias Output Voltage	With respect to SRC	4.5	5.0	5.5	V
$V_{\text{GG10}}$	VGG10 Bias Output Voltage	With respect to SRC	9	10	11	V
<b>I/O Parameters</b>						
$V_{\text{DATAH}}$	DATA Output High Voltage Drop	$2.5\text{V} < V_{\text{DD}} < 5.5\text{V}$ ; $I_{\text{OH}} = -4\text{mA}$ $V_{\text{DATAH}} = V_{\text{DD}} - V_{\text{DATA}}$		0.7	1.3	V
$V_{\text{DATAL}}$	DATA Output Low Voltage	$2.5\text{V} < V_{\text{DD}} < 5.5\text{V}$ ; $I_{\text{OH}} = 4\text{mA}$ $V_{\text{DATAL}} = V_{\text{DATA}} - V_{\text{SYSTEM}}$		0.1	0.2	V
$I_{\text{DATAZ}}$	DATA Output Off-State Leakage	$2.5\text{V} < V_{\text{DD}} < 5.5\text{V}$ $0\text{V} < V_{\text{DATA}} < V_{\text{DD}}$	-1		8	$\mu\text{A}$
$I_{\text{IL}}$	Input Low-level Leakage Current	AD0, AD1, AD2 Inputs; $V_{\text{INPUT}} = V_{\text{SRC}}$ CLK Input; $V_{\text{INPUT}} = V_{\text{SYSTEM}}$	-1		1	$\mu\text{A}$
$I_{\text{IH}}$	Input High-level Leakage Current	AD0, AD1, AD2 Inputs; $V_{\text{INPUT}} = V_{\text{GG5}}$	-1		1	$\mu\text{A}$
$I_{\text{IH\_CLK}}$	CLK Input High-level Leakage Current	CLK Input; $V_{\text{INPUT}} = V_{\text{DD}}$	-1		15	$\mu\text{A}$
<b>Current Sense</b>						
$ I_{\text{RANGE}} $	Current Sense Full-Scale Range			0.25		V
$I_{\text{RANGE-TC}}$	Current Sense Channel TC			1.5625		$\frac{\text{mV}}{^{\circ}\text{C}}$
$ I_{\text{RANGE-IR}} $	Current Sense Full-Scale Range	Inrush Mode		0.5		V
$I_{\text{RANGE-IR-TC}}$	Current Sense Channel TC	Inrush Mode		3.125		$\frac{\text{mV}}{^{\circ}\text{C}}$
<b>Temperature Sense</b>						
$T_{\text{RANGE}}$	Temperature Sense Full-Scale Range	Note: Accuracy not guaranteed above $T_J = 127^{\circ}\text{C}$ (Not tested in production)	-40		155	$^{\circ}\text{C}$
$T_{\text{CODE}}$	Temperature Channel Gain	(1)		1		$\frac{^{\circ}\text{C}}{\text{Code}}$
<b>Voltage Sense</b>						
$ V_{\text{RANGE}} $	System Voltage Sense Full-Scale Range		60	63.5	67	V
$V_{\text{CODE}}$	Voltage Sense Channel Gain		0.472	0.5	0.528	$\frac{\text{V}}{\text{Code}}$
<b>Data Converter</b>						
$N_{\text{BITS}}$	ADC Reported Resolution	Reported Resolution via Serial Interface		8		Bits
$N_{\text{ERR}}$	ADC Total Error	Total linearity, zero and full-scale errors. $F_{\text{CLK}} = 1\text{MHz}$			1	LSB
$t_{\text{CONV}}$	ADC Conversion Time	$F_{\text{CLK}} = 1\text{MHz}$			10	$\mu\text{s}$
<b>Communication</b>						
$T_{\text{HB}}$	Heartbeat Pulse Width			24		$\mu\text{s}$
<b>Dither</b>						
$T_{\text{DOFF}}$	Dither Off Period			38		$\mu\text{s}$
$T_{\text{DRTY}}$	Dither Retry Interval			5.2		ms
$V_{\text{DITHER\_ON}}$	Dither On Threshold	$V_{\text{SYSP}} - V_{\text{SYSTEM}}$		18.5		V
$V_{\text{DITHER\_OFF}}$	Dither Off Threshold	$V_{\text{SYSP}} - V_{\text{SYSTEM}}$		19.5		V

Symbol	Parameter	Condition	Min	Typ	Max	Unit
<b>Output Switch</b>						
$I_{SWX}$	SW1/2 Leakage	$V_{SYS} = 42V; V_{SWX} = 0, 42V; V_{SYSM} = 0V$	-3		3	$\mu A$
$I_{OUT_{OC-00}}$	Output Over Current Shutdown SWx Threshold	$T_J = 25^\circ C, OC\_SET = 00, \text{Measured as } V_{SWX}$		220		mV
$I_{OUT_{OC-01}}$	Output Over Current Shutdown SWx Threshold	$T_J = 25^\circ C, OC\_SET = 01, \text{Measured as } V_{SWX}$		350		mV
$I_{OUT_{OC-10}}$	Output Over Current Shutdown SWx Threshold	$T_J = 25^\circ C, OC\_SET = 10, \text{Measured as } V_{SWX}$		460		mV
$I_{OUT_{OC-11}}$	Output Over Current Shutdown SWx Threshold	$T_J = 25^\circ C, OC\_SET = 11, \text{Measured as } V_{SWX}$		580		mV
$I_{OUT_{IR-00}}$	Output Inrush Current Shutdown SWx Threshold	$T_J = 25^\circ C, OC\_SET = 00, \text{Measured as } V_{SWX}$		930		mV
$I_{OUT_{IR-01}}$	Output Inrush Current Shutdown SWx Threshold	$T_J = 25^\circ C, OC\_SET = 01, \text{Measured as } V_{SWX}$		1050		mV
$I_{OUT_{IR-10}}$	Output Inrush Current Shutdown SWx Threshold	$T_J = 25^\circ C, OC\_SET = 10, \text{Measured as } V_{SWX}$		1150		mV
$I_{OUT_{IR-11}}$	Output Inrush Current Shutdown SWx Threshold	$T_J = 25^\circ C, OC\_SET = 11, \text{Measured as } V_{SWX}$		1260		mV
$OC_{FILT}$	Output Over Current Deglitch		2.75	4	7	$\mu s$
$OC_{IR\_FILT}$	Output Inrush Current Deglitch		1	2	3	$\mu s$
$N_{IR\_CYCLES}$	Inrush Duration			4		Cycles
$T_{BLANK-OC}$	Current Limit Blanking Time		19	25	39	$\mu s$
$V_{TURN-OFF}$	Switch Voltage for Zero Cross Turn-Off	$T_J = 25^\circ C$	-37.5		37.5	mV
$V_{OFF-TH}$	Zero Cross Turn-Off Voltage Threshold	$T_J = 25^\circ C$ ; Switch will turn off if absolute value of voltage is below this threshold after Zero Cross Off command	12.5	25	37.5	mV
$V_{CLAMP}$	$V_{SWX}$ Clamp Voltage	Measured as $V_{SW1}-V_{SW2}, V_{SW2}-V_{SW1}$ $I_{SW} = 10mA$	58		65	V
<b>Watch Dog</b>						
$WD_{TO}$	Turn-Off Threshold	Switch shuts off if WD drops below this voltage	500	700	900	mV
$WD_{RC}$	WD Recharge Voltage	WD recharges to this voltage when command is received	$V_{GGS}-1.1$	$V_{GGS}-0.9$	$V_{GGS}-0.5$	V
<b>Over Temperature</b>						
$T_{WARN}$	Over Temperature Warning	(1)	90		120	$^\circ C$
$T_{SD}$	Over Temperature Shutdown	(1)	120		150	$^\circ C$
$T_{HYST}$	Over Temperature Hysteresis	(1)		20		$^\circ C$
$T_{DIFF}$	Temperature Difference Between Warning and Shutdown Thresholds	(1)		30		$^\circ C$
<b>Power Transfer</b>						
$F_{PTO}$	Power Transfer Output Frequency	$V_{SYSP}-V_{SYSM} = 24V$	50	80	110	kHz
$R_{HS\_PTO}$	Power Transfer High Side Driver Resistance	$V_{SYSP}-V_{SYSM} = 24V$	30	55	80	$\Omega$
$R_{LS\_PTO}$	Power Transfer Low Side Driver Resistance	$V_{SYSP}-V_{SYSM} = 24V$	20	35	50	$\Omega$

Notes:

(1) Not tested in production

# Detailed Description

## Communication Protocol

The TS13401 device supports a proprietary single-wire interface that is compact and allows support of systems where galvanic isolation is required with a minimum number of external components.

### Bit Signaling

The MCU can generate three signals on the CLK pin: Reset, Zero, and One. The Zero and One signals are digital bits and form a command word. Each command word is preceded by a Reset signal.

#### Reset Signal (R)

The Reset signal is a zero logic level that is kept low for longer than  $T_{RESET}$ .

#### Zero Signal (0)

The Zero signal is two pulses during a bit period  $T_{BIT}$ .

#### One Signal (1)

The One signal is four pulses during a bit period  $T_{BIT}$ .

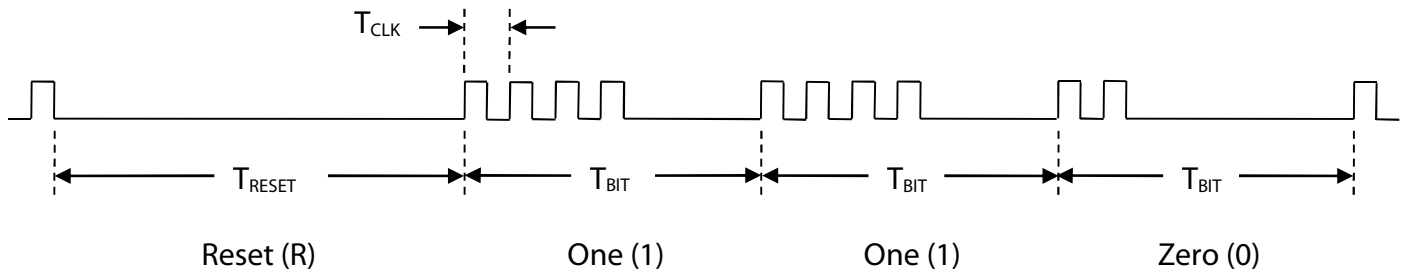


Figure 2: Communication Protocol

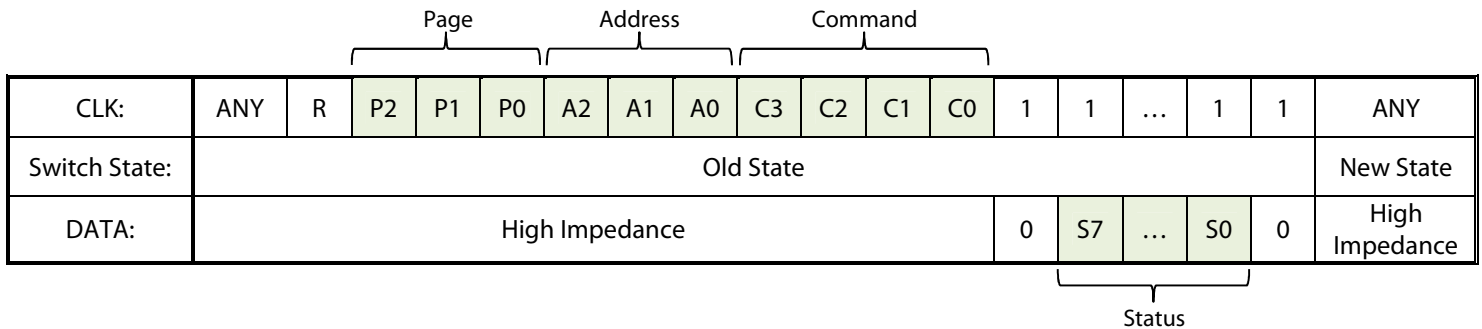


Figure 3: Communication Sequence

## Page Selection

The three bits (P2 P1 P0) in Figure 3 select the page of commands to be used for the current communication sequence. There are two possible selections; 110 for the Command Page and 111 for the Configuration Page (see Table 1). The commands available on each page are listed in Tables 2 and 3.

**Table 1: Valid Pages**

P2	P1	P0	Page
0	0	0	Reserved
0	0	1	Reserved
0	1	0	Reserved
0	1	1	Reserved
1	0	0	Reserved
1	0	1	Reserved
1	1	0	Command Page
1	1	1	Configuration Page

## Device Addressing

Figure 2 shows the beginning of a command sequence. This pattern appears at the CLK input and starts with a low period for duration of  $T_{\text{RESET}}$  or greater, followed by the preamble (P2 P1 P0). The following three bits designate the address of the device being selected. These three bits (A2 A1 A0) correspond to the device with AD2, AD1, and AD0 pins connected as in the Address Configuration Table shown in Figure 8. See the Multi-channel Application Section for more information.

## Switch Commands

The (C3 C2 C1 C0) field sent using the CLK pin determines the command sent to the switch. Two pages are available; one is for issuing commands, and the other is for configuring the device. The Command page defines possible actions that control the various functions. The Configuration page sets the parameters that affect those functions. Table 2 shows valid commands:

**Table 2: Command Page--Valid Command Sequences**

C3	C2	C1	C0	Command
0	0	0	0	No Operation
0	0	0	1	OFF, Immediate
0	0	1	0	OFF, Zero Crossing
0	0	1	1	ON, Immediate
0	1	0	0	ON, Zero Crossing
0	1	0	1	ON, Immediate, with Dithering
0	1	1	0	ON, Zero Crossing, with Dithering
0	1	1	1	Heartbeat
1	0	0	0	Set Power Transfer Mode
1	0	0	1	Cancel Power Transfer Mode
1	0	1	0	Set Inrush Mode
1	0	1	1	Cancel Inrush Mode
1	1	0	0	Start a load current measurement
1	1	0	1	Start a system voltage measurement
1	1	1	0	Start a switch temperature measurement
1	1	1	1	Poll State (No Operation)



Table 3 defines the possible configuration sequences. These sequences are intended to be used in the system primarily during initial setup (usually on system power-up). These commands are “sticky”, that is to say, once one is written, that corresponding configuration remains in effect until such a time as power is removed, thereby re-setting the part. Upon reset, the configuration will return to its default state. The default configuration settings are shown in the table.

**Table 3: Configuration Page--Valid Configuration Sequences**

C3	C2	C1	C0	Configuration
0	0	0	0	Reserved
0	0	0	1	Set Over-Current Shutdown Set to 00
0	0	1	0	Set Over-Current Shutdown Set to 01
0	0	1	1	Set Over-Current Shutdown Set to 10
0	1	0	0	Set Over-Current Shutdown Set to 11 (default)
0	1	0	1	Reserved
0	1	1	0	Reserved
0	1	1	1	Reserved
1	0	0	0	Reserved
1	0	0	1	Reserved
1	0	1	0	Reserved
1	0	1	1	Reserved
1	1	0	0	Reserved
1	1	0	1	Reserved
1	1	1	0	Reserved
1	1	1	1	Poll State (No Operation)

Each device monitors the CLK line regardless of the address; however only the device with the (AD2 AD1 AD0) pins configured to match the (A2 A1 A0) field sent via the CLK pin will respond to the Command bits (C3 C2 C1 C0). If two or more devices on the CLK bus have address pins wired alike, those devices will all respond to the same command. However, doing this may lead to DATA bus conflicts when the device Status Values are reported.

The command is executed after the status values are shifted out to avoid interference on the status values caused by transients in the system.

## ON Commands

Four modes of closing the switch are available:

1. ON, Immediate: When this command sequence is sent, the switch will be closed after the status values are shifted out. The system must comprehend the time it takes to complete the sequence in order to place the switch in the closed state at the desired time.
2. ON, Zero Crossing: When this command sequence is sent, the switch will close on the first occurrence of a polarity change in the voltage across the switch ( $V_{SW1} - V_{SW2}$  changes sign to indicate a voltage zero-crossing) after the switch receives the command and the status values are shifted out. This should not be used for DC applications.
3. ON, Immediate with Dithering: This command closes the switch as in ON, Immediate, above, but puts the device into Dither mode as well. Dithering opens the switch after an interval of  $T_{DRTY}$  for a period of time,  $T_{DOFF}$  when the system voltage drops below  $V_{DON}$ . This allows the  $C_{SYS}$  capacitor to be re-charged. See the Dither Functionality Section for more details.
4. ON, Zero Crossing with Dithering: This command closes the switch as in ON, Zero Crossing, but enables the Dither mode as described above.

## OFF Commands

Two modes of opening the switch are available:

1. OFF, Immediate: When the OFF, Immediate sequence is sent, the switch will transition to the open state after the status values are shifted out.
2. OFF, Zero Crossing: When the OFF, Zero-Crossing sequence is received, the switch will open on the first occurrence of the load-current dropping within  $I_{TURN\_OFF}$  after the status values are shifted out.

---

## Poll Command

A Poll State command may be sent to the device when no change of operation is desired, but the state of the Status Values is needed by the microcontroller. In non-latched operation, this command will also serve to recharge the Watchdog Timer. See the Latching Configuration Section for details.

## Sensing Modes

The device has the ability to make system parametric measurements related to the load being actuated. The parameters that can be measured are:

### 1. Load Current

The load current can be measured by writing the command sequence shown in the commands table to initiate a load current measurement. Note that the load current can only be measured when the switch is in the "ON" state. The switch must be commanded to the "ON" state using any of the supported command sequences before sending a load current measurement command.

#### Normal Measurement

For a given code value (CODE) from a load current measurement, the current through the external switch ( $I_{SW}$ ) with total resistance equal to  $R_{FET}$  is:

$$I_{SW} = \frac{-I_{RANGE} + CODE \times \left(\frac{2 \times I_{RANGE}}{255}\right)}{R_{FET}}$$

#### Inrush Measurement

For a given code value (CODE) from a load current measurement with Inrush Mode enabled, the current through the external switch ( $I_{SW}$ ) with total resistance equal to  $R_{FET}$  is:

$$I_{SW} = \frac{-I_{RANGE-IR} + CODE \times \left(\frac{2 \times I_{RANGE-IR}}{255}\right)}{R_{FET}}$$

### 2. System Voltage

The system voltage can be measured by writing the command sequence shown in the commands table to initiate a system voltage measurement. This measures the voltage between one switch terminal tied to the supply and the other tied to the load, and depends on the load being terminated to ground in order to make the measurement. It is also important to note that this measurement can only be made when the switch is in the "OFF" state. The switch must be placed into that state by any of the supported command sequences or by an over-current event before sending a system voltage measurement command.

For a given code value (CODE) from a system voltage measurement, the voltage across SW1 and SW2 ( $V_{SW}$ ) is:

$$V_{SW} = -|V_{RANGE}| + CODE \times \left(\frac{2 \times |V_{RANGE}|}{255}\right)$$

### 3. Switch Temperature

The switch temperature may be measured by writing the command sequence shown in the commands table to initiate a switch temperature measurement. There are no constraints on the switch state to be able to make a temperature measurement.

For a given code value (CODE) from a temperature ADC measurement, the temperature of the device ( $T_J$ ) is:

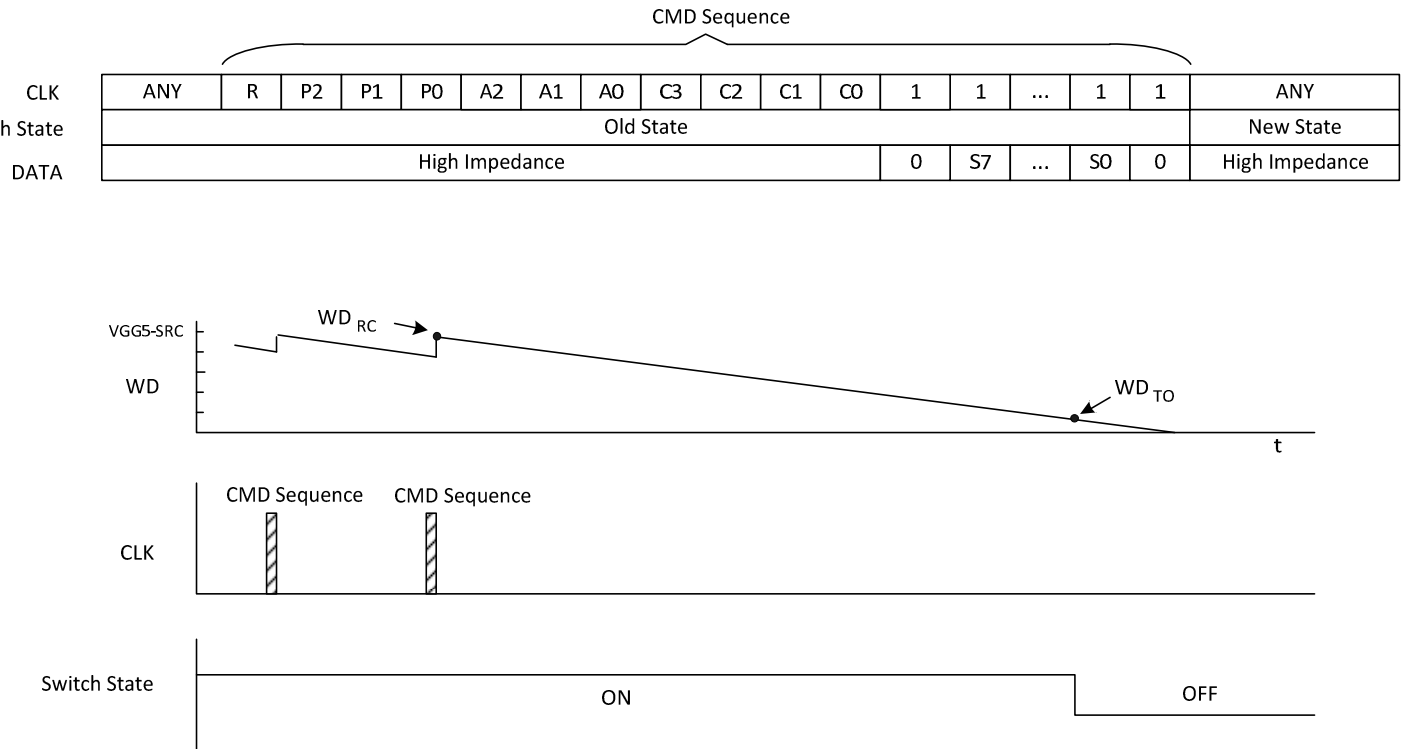
$$T_J = T_{ROOM} + (CODE - 128) \times T_{CODE}$$

$$T_{ROOM} = 25^{\circ}C$$



## Latching Configuration

The device can be configured for latching or non-latching functionality via external interconnect. When the WD pin is tied to VGG5, the switch state is latched after each command (CMD) sequence. When the WD pin is tied to an RC circuit, the device is configured for non-latching behavior. If a CMD sequence is not transmitted before the RC decays to  $WD_{TO}$ , the switch will be turned off. A CMD sequence received by the device before the WD pin voltage decays to  $WD_{TO}$  will cause the WD pin to recharge to  $WD_{RC}$ , and the switch will remain closed. In order to recharge, the CMD address must be for the corresponding device address configuration. Typical waveforms for non-latching behavior are shown below.



**Figure 5: Latching Functionality**

The time between the last CMD sequence and the switch opening (in a non-latching configuration) can be computed by the following equation:

$$t_{OFF} = -R_{WD}C_{WD} \ln\left(\frac{WD_{TO}}{WD_{RC}}\right)$$

Where:

- $t_{OFF}$  is the time from the last CMD sequence until the switch opens
- $R_{WD}$  is the WD pin resistor
- $C_{WD}$  is the WD pin capacitor
- $WD_{TO}$  is the WD pin turn-off voltage threshold
- $WD_{RC}$  is the WD pin re-charge voltage

It should be noted that the WD capacitor,  $C_{WD}$ , is recommended to be 22nF. The reason for this is that charge proportional to  $C_{WD}$  is drawn from the  $C_{SYS}$  capacitor in every re-charge cycle, thereby elevating the average current, and forcing the device to switch off more frequently in order to re-charge  $C_{SYS}$  (see Figure 8, below).  $C_{WD}$  can be made smaller, but this will necessitate a larger value of  $R_{WD}$  to be used to define a given  $t_{OFF}$  time.  $R_{WD}$  has its practical limits due to leakage within the components attached to the WD pin and possible leakage on the circuit board due to contamination. The system designer should consider all these issues when selecting  $R_{WD}$  and  $C_{WD}$ . Device 2 in Figure 8 shows  $R_{WD}$  and  $C_{WD}$  being used to create a non-latching channel. Device 1 is shown in latching mode.

## Heartbeat Functionality

When the switch is off and the heartbeat command sequence has been transmitted, the DATA pin provides a pulse synchronous with the zero crossings of the AC waveform. A single pulse or “Heartbeat” for each crossing will be present with a pulse width of  $T_{HB}$  as shown in the figure below. This is useful for monitoring load presence and for evaluating the phase of the AC waveform. To cancel the heartbeat command, send any other valid command. If a heartbeat command is sent while the switch is on no data will be sent back, the switch state will remain the same, and the heartbeat command will not be enacted.

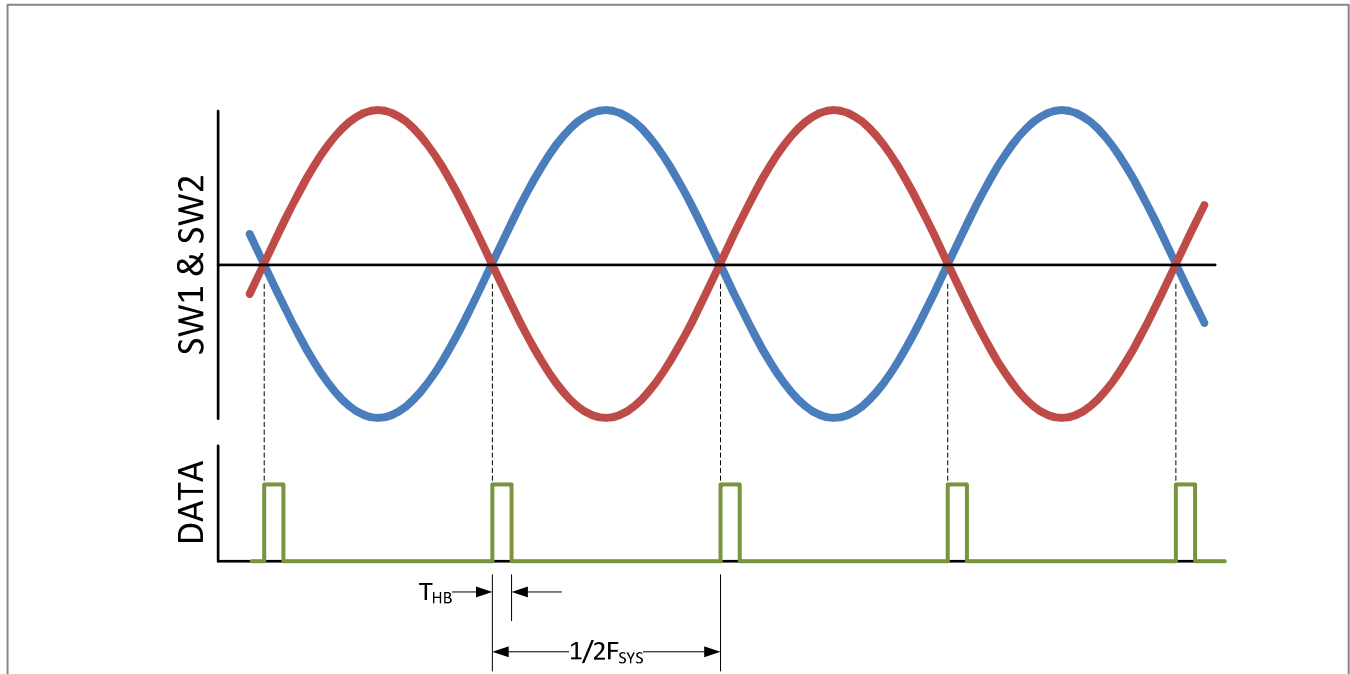


Figure 6: Heartbeat Functionality

## Power Transfer

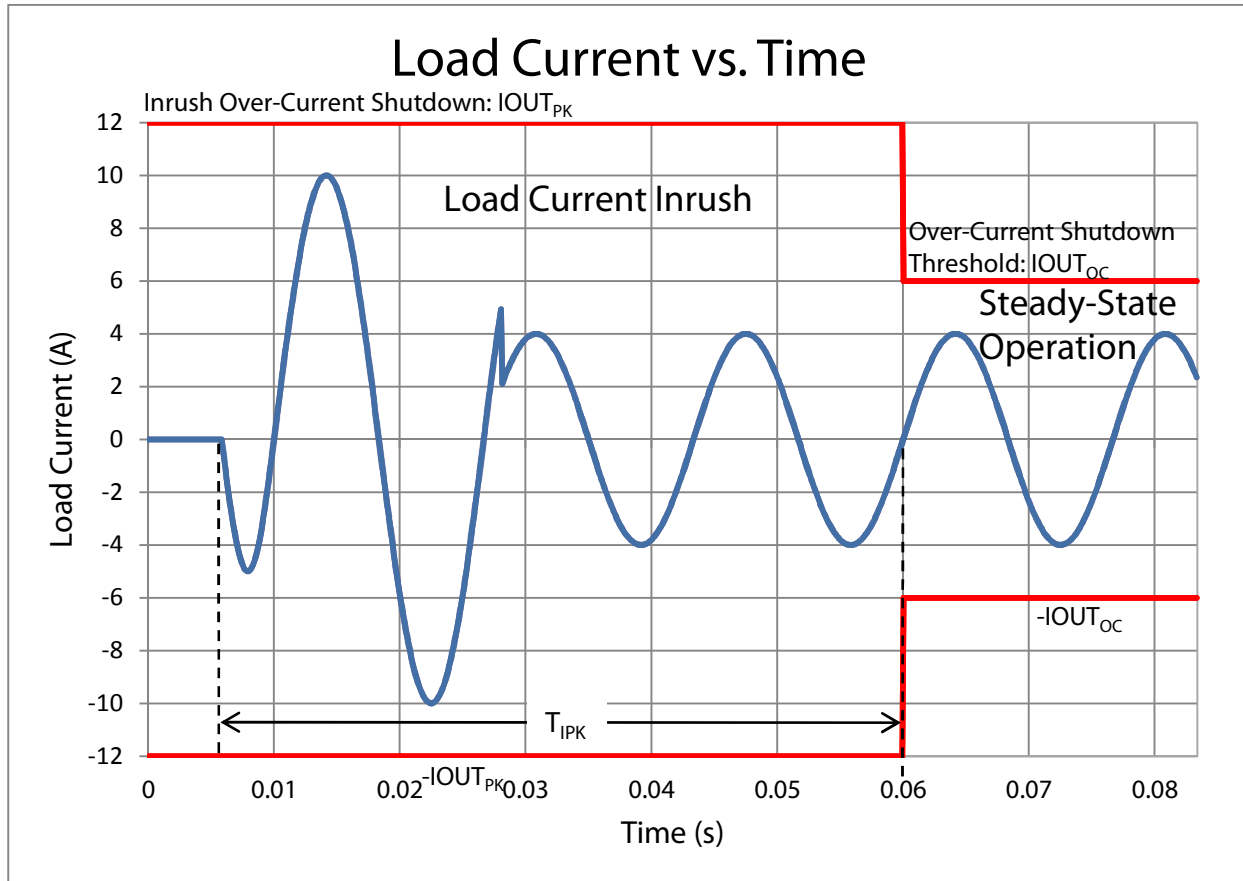
When the set power transfer mode command is sent to the device, the PTO pin will be driven from SYSP to SYSM at frequency  $F_{PTO}$ . The PTO pin will continue to drive a pulse train until the cancel power transfer mode command is sent. This feature can be used to drive a charge pump to harvest power from the SW pins. See Figure 8 for a typical configuration.

## Over Temperature

In the event of the device reaches temperatures exceeding  $T_{WARN}$  or  $T_{SD}$ , status bits 4 or 3 respectively will be set and visible on the DATA pin (see Table 4). There is also hysteresis  $T_{HYST}$  built into each trip point. When  $T_{WARN}$  is reached, functionality of the device will remain the same and this status is just for user information. When  $T_{SD}$  is reached, the device will drive the switch off and ignore turn on commands until the temperature goes below  $T_{SD}-T_{HYST}$ . Since the switch is external, it is important to thermally couple the PAD to the switch through the PCB layout.

## Inrush Support

A system may present loads to the switch which result in high inrush currents when initially energized, but rapidly decrease to a lower level. If the inrush level is higher than the switch over-current shutdown, it may be impossible to activate the load. This device supports an inrush mode to allow the activation of loads with inrush currents on the order of twice their normal operating current for a short period of time. During the inrush period, the switch over-current shutdown is elevated, allowing current to build in the load, ensuring actuation. After the inrush event, the over-current threshold can be reduced to a lower level to allow protection against faults. Figure 7 below illustrates the time-variant peak load current and how the inrush over-current shutdown threshold can be used to energize a load successfully when the higher inrush current would otherwise have tripped the lower steady-state over-current threshold. As long as the load current stays within the safe shaded area, the switch will remain closed.



**Figure 7: Inrush Waveform**

Note that  $T_{IPK}$  is internally limited to a maximum of  $N_{IR\_CYCLES} = 4$  cycles (8 current zero-crossings). Therefore  $T_{IPK}$  is defined as:

$$\frac{8}{2 * F_{SYS}} \leq T_{IPK} \leq \frac{9}{2 * F_{SYS}}$$

If it is desired to limit this period to something less, the normal over-current shutdown threshold may be restored by writing the command sequence to cancel inrush mode. If the device is used in a DC application, note that  $T_{IPK}$  will be infinite, so it is critical that the system controller adjusts this time as required so that the system is not sustained in the load current inrush state indefinitely. It is recommended that the inrush period be only as long as is required by the load in the system.

## Dither Functionality

Dithering is provided as a mode of operation for applications where a single device per system is used. It enables powering the TS13401 from the AC waveform. The device monitors system voltage and if it is below  $V_{DITHER\_ON}$ , the switch is shut off for approximately  $T_{DOFF}$ . This causes energy stored in the inductor to be transferred into the  $C_{SYS}$  capacitor. When the device is in Dither mode, this event occurs at  $T_{DRTY}$  intervals until the system voltage reaches  $V_{DITHER\_OFF}$ .

## Multi-channel Application

In a multi-channel application, dithering is unnecessary when the switch for at least one channel is open and providing power to the other channels. As long as the device address pins are wired uniquely for each channel, a single pair of GPIO pins on the microcontroller can control each device by matching the address in the CMD sequence with the hardwired address. If all devices must be on simultaneously, one device can be configured for dithering mode to maintain system supply.

The SYSP net should be tied to the SYSM net through the  $C_{SYS}$  capacitor as shown in Figure 8 below. For a single transformer system, only one is necessary. If additional transformers are used in a given system, then the SYSP and SYSM pins for those TS13401 devices will need an additional  $C_{SYS}$  capacitor for each additional transformer.

Current limit resistors are needed for each SYSP pin and each SYSM pin as shown below ( $R_{SYSP}$  and  $R_{SYSM}$  respectively). These are typically 100Ω, ¼ W.

As shown below, a pair of GPIO pins can manage the command and control for up to 8 loads as long as each part has a unique address. The address pins are set using hard wired connections according to the Address Configuration Table shown in Figure 8.

Also note that some devices can be wired in non-latching mode and others in latching mode.

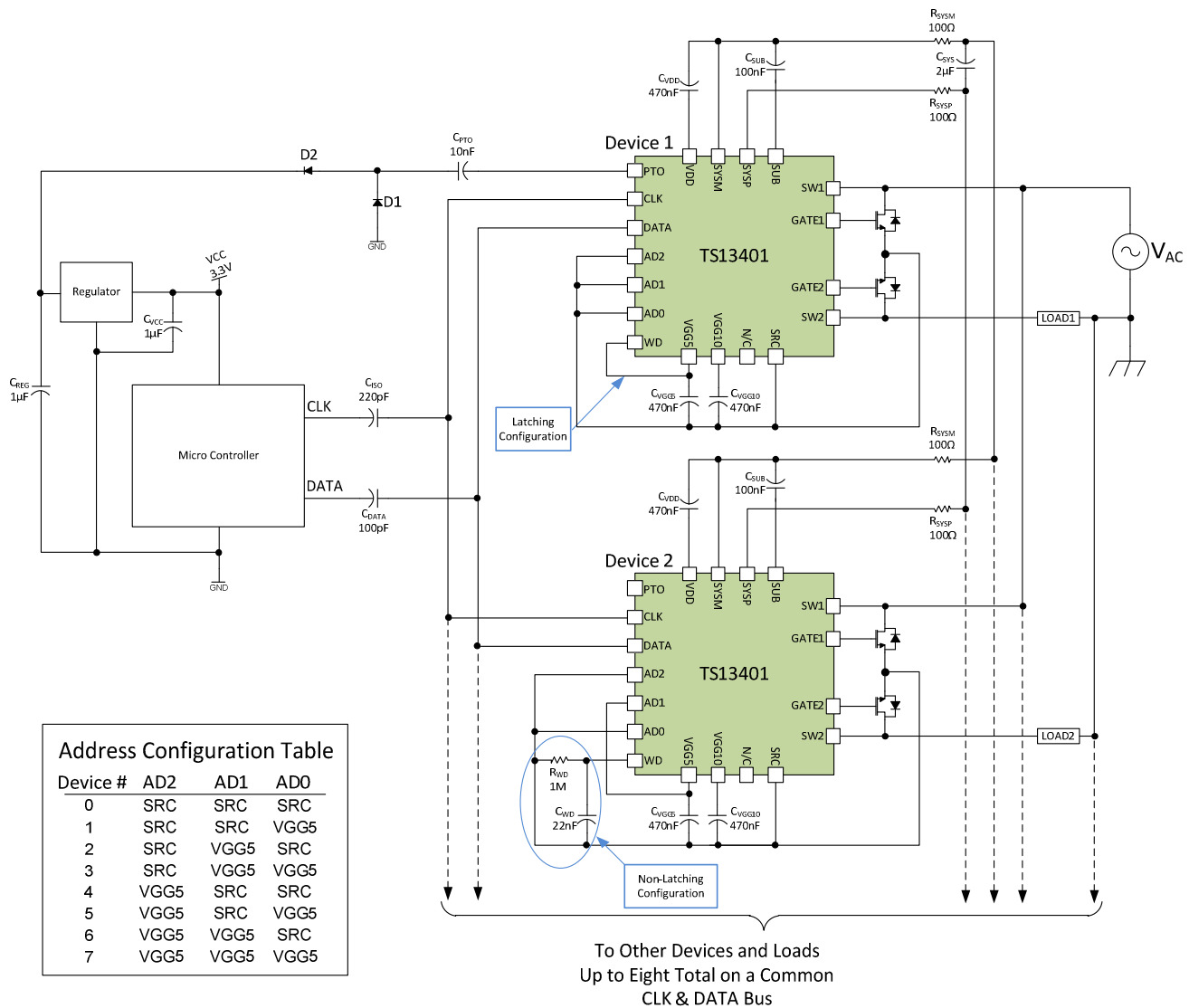
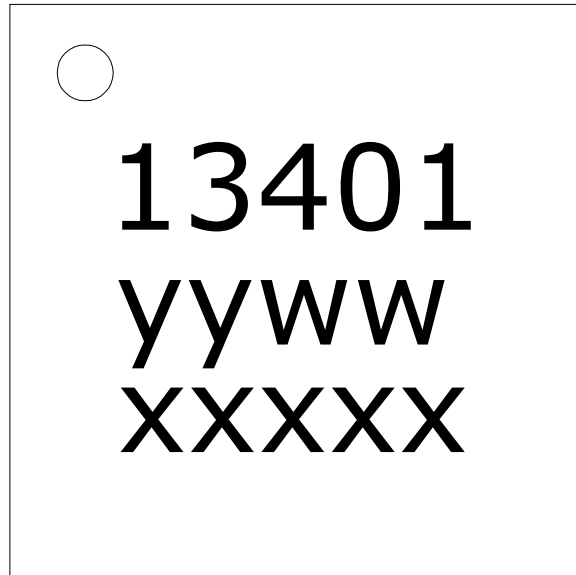


Figure 8: System Block Diagram

---

## Package Information

### Product Marking



Marking for the 3 x 3mm MLPQ-UT 20 Lead package:

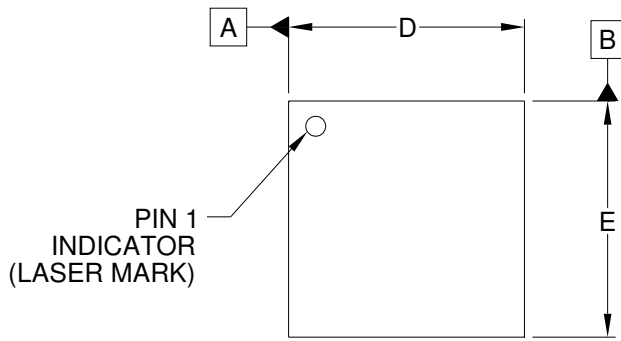
nnnnn= Part Number (Example: 13401)

yyww = Date Code (Example: 1652)

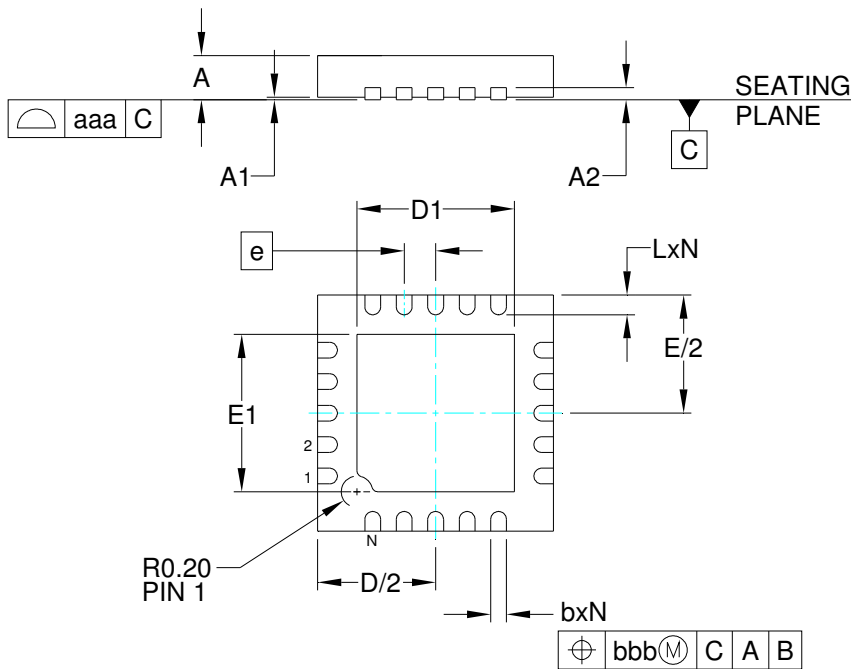
xxxxx = Semtech Lot No. (Example: E9010)



# Package Outline Drawing



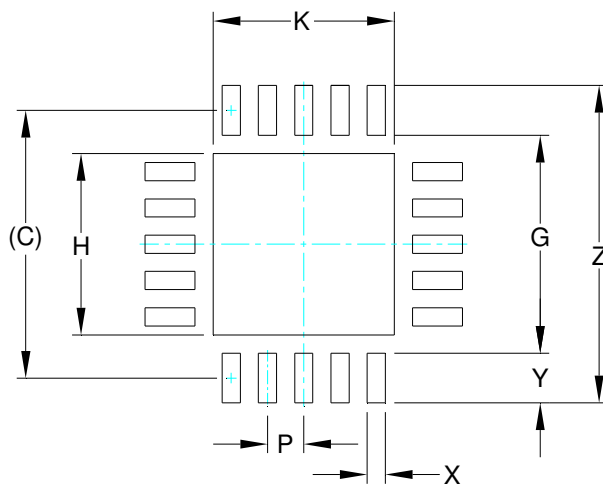
DIMENSIONS			
DIM	MILLIMETERS		
	MIN	NOM	MAX
A	0.51	0.55	0.60
A1	0.00	0.02	0.05
A2	(0.153)		
b	0.15	0.20	0.25
D	2.90	3.00	3.10
D1	1.90	2.00	2.10
E	2.90	3.00	3.10
E1	1.90	2.00	2.10
e	0.40 BSC		
L	0.15	0.25	0.35
N	20		
aaa	0.08		
bbb	0.10		



**NOTES:**

1. CONTROLLING DIMENSIONS ARE IN MILLIMETERS (ANGLES IN DEGREES).
2. COPLANARITY APPLIES TO THE EXPOSED PAD AS WELL AS THE TERMINALS.

## Board Land Pattern



DIMENSIONS	
DIM	MILLIMETERS
C	(2.95)
G	2.40
H	2.00
K	2.00
P	0.40
X	0.20
Y	0.55
Z	3.50

### NOTES:

1. CONTROLLING DIMENSIONS ARE IN MILLIMETERS (ANGLES IN DEGREES).
2. THIS LAND PATTERN IS FOR REFERENCE PURPOSES ONLY. CONSULT YOUR MANUFACTURING GROUP TO ENSURE YOUR COMPANY'S MANUFACTURING GUIDELINES ARE MET.

## Ordering Information

Device	Package
TS13401ULTRT	MLPQ-20 3.0 x 3.0 Tape & Reel (3000 parts/reel)
TS13401EVB	Evaluation Board



---

## IMPORTANT NOTICE

Information relating to this product and the application or design described herein is believed to be reliable, however such information is provided as a guide only and Semtech assumes no liability for any errors in this document, or for the application or design described herein. Semtech reserves the right to make changes to the product or this document at any time without notice. Buyers should obtain the latest relevant information before placing orders and should verify that such information is current and complete. Semtech warrants performance of its products to the specifications applicable at the time of sale, and all sales are made in accordance with Semtech's standard terms and conditions of sale.

SEMTECH PRODUCTS ARE NOT DESIGNED, INTENDED, AUTHORIZED OR WARRANTED TO BE SUITABLE FOR USE IN LIFE-SUPPORT APPLICATIONS, DEVICES OR SYSTEMS, OR IN NUCLEAR APPLICATIONS IN WHICH THE FAILURE COULD BE REASONABLY EXPECTED TO RESULT IN PERSONAL INJURY, LOSS OF LIFE OR SEVERE PROPERTY OR ENVIRONMENTAL DAMAGE. INCLUSION OF SEMTECH PRODUCTS IN SUCH APPLICATIONS IS UNDERSTOOD TO BE UNDERTAKEN SOLELY AT THE CUSTOMER'S OWN RISK. Should a customer purchase or use Semtech products for any such unauthorized application, the customer shall indemnify and hold Semtech and its officers, employees, subsidiaries, affiliates, and distributors harmless against all claims, costs damages and attorney fees which could arise.

The Semtech name and logo are registered trademarks of the Semtech Corporation. All other trademarks and trade names mentioned may be marks and names of Semtech or their respective companies. Semtech reserves the right to make changes to, or discontinue any products described in this document without further notice. Semtech makes no warranty, representation or guarantee, express or implied, regarding the suitability of its products for any particular purpose. All rights reserved.

© Semtech 2017

---

## Contact Information

Semtech Corporation  
200 Flynn Road, Camarillo, CA 93012  
Phone: (805) 498-2111, Fax: (805) 498-3804  
[www.semtech.com](http://www.semtech.com)