

COLOR TELEVISION

S E R V I C E M A N U A L

S E R V I C E M A N U A L

SERVICE MANUAL

SERVICE

**TS2750J
(TK2750)**

SERVICE MANUAL

CONTENTS

Safety instruction.....	1
General instruction.....	1
Alignment instruction.....	2
Alignment flow	2
Alignment method.....	3
BLOCK DIAGRAM.....	8
MAIN IC.....	9
Exploded view.....	13
Part list	15
Schematic diagram.....	32

Note: This service manual is only for professional service personnel's reference. Before servicing the unit, please read the following items carefully.

1 safety instruction

1.1 X-RAY radiation precaution

1.1.1 Excessive voltage will cause harmful X-ray. To avoid this radiation hazard, the high voltage should fall within the limitation. The appliance works at AC 120V, 60Hz. The high voltage of zero beam current should be within 29.0kV on condition that the main power (B+) voltage is AC135V. And it should not exceed 30kV in any condition.


* Keep the main power voltage at 135V when checking the high voltage.

1.1.2 The primary source of X-RAY RADIATION is the CRT. The CRT of this TV set have gotten the approval of safety authentication inspection. The replacement CRT should be exactly the same type and specification CRT which has gotten a similar safety approval, and check the high voltage according to the HIGH VOLTAGE CHECK procedure.

1.2 safety precaution

- a. Since the power supply circuit of this receiver is directly connected to the AC power line, an isolation transformer is necessary during dynamic service to avoid possible shock hazard.
- b. Always discharge the graphite layer conductor when moving the CRT.
- c. Disconnect the power cord before replacing parts.
- d. When replacing high-power resistor, keep the resistor 10 mm away from the circuit board.

1.3 Component safety precaution

Many electrical and mechanical parts in the chassis have special safety-related characteristics. These characteristics are often passed unnoticed by a visual inspection. Replacement parts which have these special safety characteristics are identified in this manual and its supplement electrical components having such features are shaded or marked by  on the schematic diagram and the parts list. Before replacing any of these components, read the parts list in this manual carefully. The use of substitute replacement parts which do not have the same characteristic as specified in the parts list may create shock, fire, X-RAY RADIATION or other hazards.

2.General instruction

2.1 Copy the standard model data to let EEPROM of the chassis have those data before placing it on the unit, do "factory adjustment" if necessary. If use a blank EEPROM directly, you should preset IIC data and then do other common adjustment. Refer to TABLE1 to preset EEPROM.

2.2 the adjustment should be done under following circumstances without additional instruction

- a) Alternating current 120V/60Hz
- b) Preheat at least 30 min

2.3The unit has auto degaussing circuit, the auto degaussing process can be finished within 1s when the main power. only when turn on the unit at least 30min after last time turn off TV does the auto degaussing circuit work.

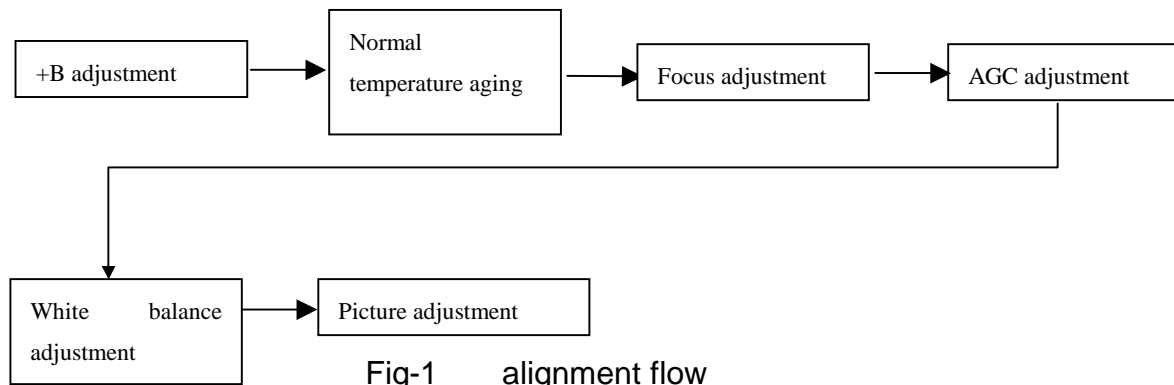
2.4 If the CRT with magnetism affects color purity and convergence, when the auto degaussing eraser. if the color purity and convergence are still not very good, then corresponding adjustment should be done. Refer to picture tube adjustment method for adjustment.

3 Alignment instruction

3.1 Debugging item

- a) adjust mode instruction
- b) B+ voltage adjustment
- c) RFAGC voltage adjustment
- d) focus adjustment
- e) Screen-grid voltage white balance, sub brightness adjustment
- f) filed scan center, line , amplitude adjustment
- g) H-scan center adjustment

3.2 Alignment flow



3.3 Enter/exit factory adjustment method

Use remote control, press "MENU" button, then press 6483,"M" will appear on screen to show that you have entered the factory adjustment method, press "STANDBY" to exit it.

3.4 Select adjustment item and adjust data

After entering factory adjustment mode, press 1-4 number buttons to select menu1- menu4; To enter into MENU0~MENU5, press "CHILD LOCK" button and then the number button (5~0) to enter into relative menus. Press "P+" and "P-" to select and "V+" and "V-"to adjust.

4 Alignment method

4.1 B+ voltage adjustment

- a) connect B+ point with a digital voltmeter to measure the negative pole of VD524
- b) receive PHILIPS test pattern signal and set the picture to standard.
- c) Adjust VR501 to let the value of B+ voltage be $135\text{ V} \pm 0.5\text{ V}$ (yongxin super pure flat)

4.2 AGC adjustment

- a) receive VHF-H band,60 dB RF signal.
- b) Select factory menu2 of "AGC".
- c) Press "V+","V-"to let voltage value of tuner pin AGC be $3.8\text{ V} \pm 0.1\text{ V(DC)}$.(if the selected tuner is changed, then the voltage of AGC should be measured again: receive VHF-H band and 60 dB RF signal, adjust AGC-TOP to let the picture just without noisy, then the voltage of tuner AGC is the required value for adjustment.)
- d) exit factory menu

4.3 Normal temperature aging

- a) do not receive signals.

b) under "M" condition, set the accelerator to an appropriate point for aging.

4.4 Accelerator adjustment

- a) do not receive signals;
- b) select "SC" of factory menu3 to let the field scanning stop working.
- c) adjust acceleration potentiometer to let bright lines just appears on screen.
- d) exit SC menu.

4.5 High voltage check

Note: the main power voltage (B+=135 V) can affect the high voltage directly, so be sure to let the B+ power voltage accurate. Under any state, the high voltage should not exceed 30 kV.

- a) connect an accurate high voltage meter between the second anode cap of picture tube and ground.
- b) turn on TV and receive testing card signal.
- c) set picture to standard, the high voltage should be $27 \text{ kV} \pm 1 \text{ kV}$.
- d) the high voltage should not exceed 30KV with minimum brightness and contrast.

4.6 Focus adjustment

- a) receive PHILIPS signal
- b) adjust focus electrode potentiometer on FBT to optimize B area focus of screen.

4.7 White balance adjustment (color temperature $12000^\circ\text{K} \pm 8\text{MPCD}$, $X=0.270 \pm 0.008$, $Y=0.283 \pm 0.008$)

- a) receive full white signal
- b) select factory menu3
- c) on the basis of blue, adjustment RD, GD of M3, let to white balance coincide with standard.

4.8 Filed scanning adjustment (fig-2)

- a) receive PAL of PHILIPS test pattern signal.
- b) select factory menu1
- c) adjust V-SLOPE menu to let the horizontal center line of test pattern above blanking.
- d) select V-SHIFT menu and adjust to let the vertical center of picture coincide with vertical center of picture tube.
- e) Select V-SIZE menu and adjust to let the vertical reproduction ratio of picture acceptable.
- f) Adjust V.SC to optimise the vertical S correction of picture.
- g) Receive NTSC PHILIPS test pattern and readjust the above items.

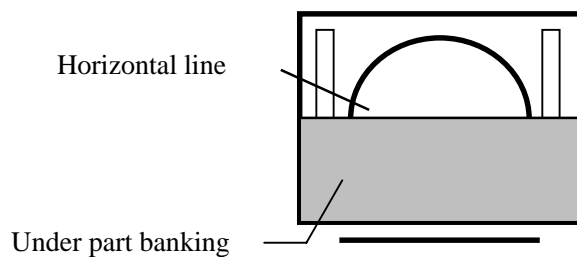


Fig-2 field scan adjustment

4.9 Horizontal scanning adjustment (Fig-3)

- a) Receive PAL PHILIPS signal
- b) Select factory menu1
- c) Select H.SHIFT menu and adjust to let the scanning horizontal center coincide with mechanical center of picture tube
- d) Exit M3 menu
- e) Adjust VR433 to let horizontal reproduction ration of picture acceptable
- f) Adjust VR432 to minimize left-right edge pincushion distortion of picture

- g) Adjust VR431 to minimize trapezoidal distortion
- h) Exit factory menu

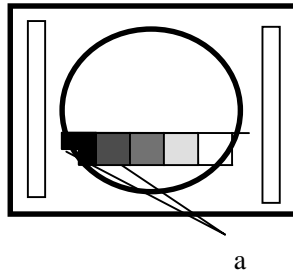


Fig-3 line scan adjustment

4.10 Sub-brightness adjustment

- a) Receive PAL-D/K PHILIPS signal
- b) Select "SB" of factory menu3
- c) Adjust "SB" to let things between the sixth and seventh grey scale clear

4.11 OSD adjustment

- a) Receive PAL-D/K PHILIPS signal
- b) Select OSD H and OSD V of factory menu4. Adjust OSD H and OSD V to let OSD at a specified place.
- c) Exit factory menu

4.12 Degaussing

- a) The unit has an auto degaussing circuit, the degaussing circuit works several seconds after turning on TV
- b) If you want to move TV or change the direction, turn off TV and ten minutes later the degaussing circuit will work
- c) For better degaussing effect, you can use magnetic eraser
- d) Move the magnetic eraser clockwise before your TV, when it is 2m away from your TV, turn off the magnetic eraser. If the effect is still not very good, you can adjust "color purity" and "convergence"

4.13 Color purity correction

- a) Turn on your TV
- b) At least 15 minutes later, use anti-magnetized coil for degaussing
- c) Obtain maximum brightness and contrast
- d) Select factory menu3 and adjust to let R and B be zero, then let only green raster appear on the screen at the moment
- e) Loosen screws of deflection yoke frame to let vertical green belt appear on screen only
- f) Move the rubber wedge
- g) Rotate along neck of picture tube and slide color-purity magnets until the green belt at the middle of screen and is vertical at the same time
- h) Slowly move the deflection yoke backward or forward until the whole green raster appears on screen, tighten the screws of the deflection yoke
- i) Check the color purity of red raster and blue raster
- j) Adjust white balance again to obtain white raster

4.14 Convergence correction

4.14.1 Central convergence correction

- a) Turn on your TV

- b) At least 15 minutes later, receive square test pattern signal
- c) Adjust brightness and contrast to get the best picture
- d) Adjust the angle of two tetrode magnetic rings to let the red vertical line coincide with the blue vertical line at middle of screen
- e) Keep the angle unchanged, move the two tetrode magnetic rings at the same time to let the red and blue horizontal lines coincide at middle of screen
- f) Adjust two hexode magnetic rings to let the green line coincide with the mixed line of red and blue. Adjust the angle between them will affect the vertical line, move them together will affect the horizontal line.
- g) Repeat d), e), f) and observe the movement of red, green and blue.

4.14.2 Ambient convergence correction

- a) Turn on your TV
- b) At least 15 minutes later, loosen the screws of the deflection yoke
- c) Fixate the rubber wedge temporarily under the deflection yoke
- d) Move the deflection yoke upward or downward to get best convergence, push the rubber wedge into space between picture tube and deflection yoke to fixate the deflection yoke temporarily
- e) Place the rubber wedge whose overlay paper has been removed at the bottom space
- f) Move the deflection yoke left and right to get best convergence
- g) Keep the condition unchanged, place another rubber wedge whose overlay paper has been removed also at the upper space at the same time
- h) Remove the interim rubber wedge, adhere it to picture tube and deflection yoke
- i) After placing three rubber wedges, check all the convergence again
- j) Stick three transparent viscous belts to the rubber wedge

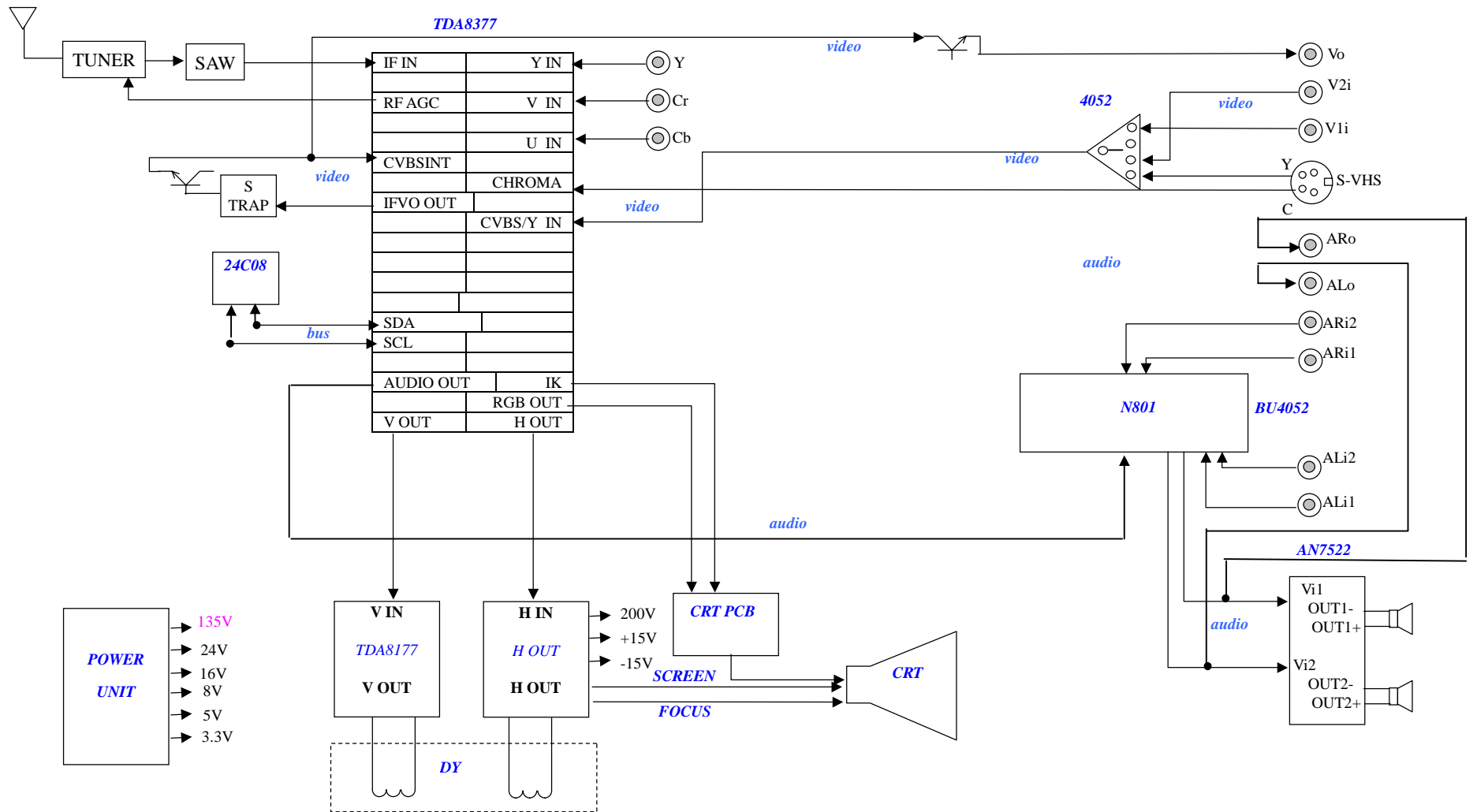
Chart 1 I²C TDA (NOM)8377-B-6NA E²PROM pre-set data
I²C standard UOC for export bus control adjustment item default setting

MI	Items	Variable	Preset
M0	SUBCON		56(sub-contrast)
	SUBCOL		56(sub-chroma)
	SUBSHP		48(sub-acutance)
	SUBTINT		31(sub-hue)
M1	V.SLOPE		34(field center adjustment)
	V.SHIFT		27(field point adjustment)
	V.SIZE		36(field amplitude adjustment)
	V.SC		32(field line)
	HSHIFT		32(line point adjustment)
	PROGRAMA.NO		2(channel)
M2	AGCTAKEOVER		24(AGC adjustment)
	SHIPPING		0(leave factory set)
M3	BT		75(adjust white balance of brightness)

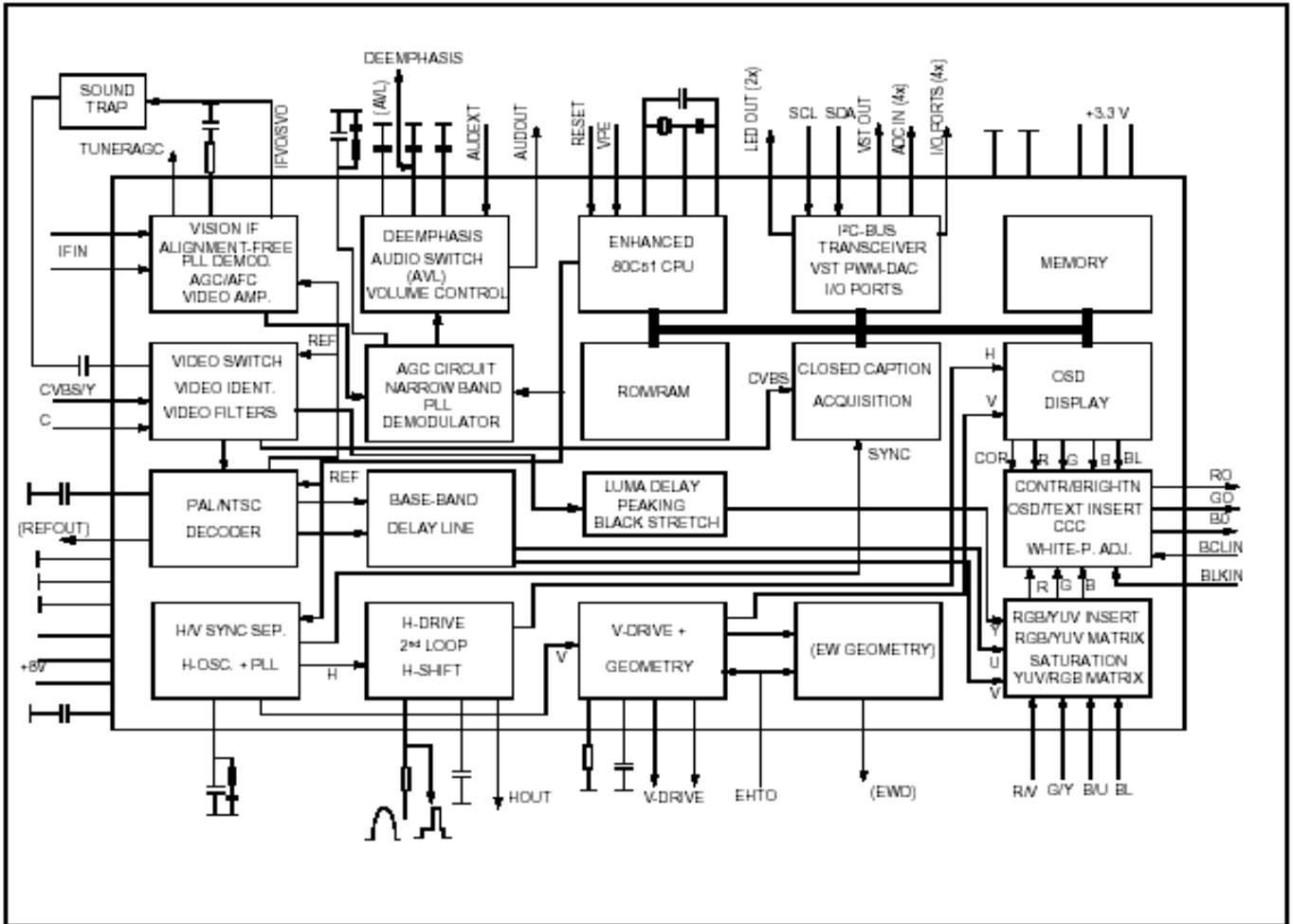
	CT		75(adjust white balance of brightness contrast)
	SC		OFF
	RB		32(red cut off level adjustment)
	GB		32(green cut off level adjustment)
	RD		32(red cut off level adjustment)
	GD		32(green cut off level adjustment)
	BD		32(blue cut off level adjustment)
	SB		40(sub brightness adjustment)
M4	OSD.V.POSITION		10(OSD position)
	OSD.H.POSITION		5(OSD H-position)
	BTSC-MODE		MONO(STEORO,SAP)
	BTSC-ST		13
	BTSC-SP		12
	BTSC-L1		1
	BTSC-A1		15
	BTSC-A2		0
	BTSC-TC		0
	BTSC-STS		0
	BTSC-ADJ		
MI	Items	Variable	Preset
M5	MODE		STANADARD(standard, soft, floweriness)
	BRIGHT		75
	CONTRAST		75
	COLOR		50
	SCBRIGHT		20
	YDELAYTV		12
	YDELAYAV		12
M6	OSO		1(field over-scan switch)
	AGCSPEED		1(AGC of speed)
	FFI		0(IF PLL SPEED)
	FMWS		1(frequency range of sound OFF=225KHZ,ON=450KHZ)
	RP0		0(pre-shock and over-shock scale)
	NTSCMATRIX		USA
	VOLPIN		0(1:push-pull output; 0: OC gate output.)
	SOFT CLIP		3(white level limit)
	PEAK WHITE		15(peak white limit)
	CORING		0(coring noise reduction)
M7	AV2		1
	SVHS		1
	YUV		1

	VOLADJPOING		1(volume value have:1,25,50,75)
	VOLVALUE		20(volume curve value:20,60,75,90)
M8	CATHOOELEVEL		7(cathode level)
	UOCVOLUME		0(0:PWM terminal control; 1:UOC sound amplitude control of inside)
	FMATT		45(UOC sound output of amplitude) BTSC : 38
	COMBFILTRE		0(N comb filter)
	HEADPHONE		0(earphone function selection)
	VM OPTION		0(VM function selection)
	FRANCE		1 French
	SPANISH		1 Spaish
	POTUGUES		1 Portuguese
M9	NOM8377-B-6NA		
	STARTON		2(turn on)
	STARTTIME		8(turn on time)
	IF OFFSET		32(IF compensata)
	TUNER OPTION		0(BXATB011F---X/ BXATB108F---K) 1 (BXATB017F---K) 2(XXX)

Block diagram



MAIN IC 8377:



BLOCK DIAGRAM

ICs functional description

UOC TDA8377

SYMBOL	PIN	DESCRIPTION
STAND BY output.	1	In STAND BY mode, high level (Power OFF). For Power ON this pin will be reduced to low.
SCL	2	I ² C-bus clock line
SDA	3	I ² C-bus data line
TUNING	4	tuning Voltage (Vt) PWM output
P3.0/NTSC SW	5	Port 3.0 or NTSC output/SCART SW input, Forced NTSC selection, Low-level output, otherwise High output.
KEY	6	Control keys input *3

VOL	7	Sound Volume control PWM output
MUTE	8	Sound mute output
VSSC/P	9	Digit ground for μ -controller core and periphery
BAND1	10	Tuner Band selection output
BAND2	11	Tuner Band selection output
VSSA	12	Analog ground of teletext decoder and digital ground of TV-processor
SECPLL	13	SECAM PLL decoupling
VP2	14	2 nd supply voltage TV-processor(+8V)
DECDIG	15	decoupling digital supply of TV-processor
PH2LF	16	Phase-2 filter
PH1LF	17	Phase-1 filter
GND3	18	Ground 3 for TV-processor
DECBG	19	Band gap decoupling
AVL/EWD	20	Automatic volume leveling /EAST-WEST drive output
VDRB	21	Vertical drive B output
VDRA	22	Vertical drive A output
IFIN1	23	IF input 1
IFIN2	24	IF input 2
IREF	25	Reference current input
VSC	26	Vertical sawtooth capacitor
TUNER AGC	27	Tuner AGC output
AUDEEM/SIFIN1 *1	28	Audio deemphasis or SIF input
DECSDEM/SIFIN2	29	decoupling sound demodulator or SIF input 2
GND2	30	ground 2 for TV processor
SNDPLL/SIFAGC *1	31	narrow band PLL filter or AGC sound IF
AVL/SNDIF/REF0/ AMOUT *1	32	Automatic Volume Levelling / sound IF input / subcarrier reference output / audio deemphasis
HOUT	33	horizontal output
FBISO	34	flyback input/sandcastle output
AUDEXT/QSSO/ AMOUT *1	35	external audio output / QSS intercarrier out
EHTO	36	EHT/overvoltage protection input
PLL IF	37	IF-PLL loop filter
IFVO/SVO	38	IF video output / selected CVBS output
VP1	39	supply voltage TV processor
CVBS INT	40	internal CVBS input
GND1	41	ground for TV processor
CVBS/Y	42	CVBS/Y input
CHROMA	43	C input
AUDOUT/AMOUT *1	44	audio output /AM audio output (volume controlled)
INSSW2	45	2nd RGB / YUV insertion input

R2/VIN	46	2nd R input / V (R-Y) input / PR input
G2/YIN	47	2nd G input / Y input
B2/UIN	48	2nd B input / U (B-Y) input / PB input
BCLIN	49	beam current limiter input
BLKIN	50	black current input / V-guard input
RO	51	Red output
GO	52	Green output
BO	53	Blue output
VDDA	54	analog supply of Closed Caption decoder and digital supply of TV-processor (3.3 V)
VPE	55	OTP Programming Voltage
VDDC	56	digital supply to core (3.3 V)
OSCGND	57	oscillator ground supply
XTALIN	58	crystal oscillator input
XTALOUT	59	crystal oscillator output
RESET	60	reset
VDDP	61	digital supply to periphery (+3.3 V)
P1.0/INT1	62	TV/AV (AV1) / AV2 /S-VHS mode Output.
P1.1/T0	63	TV/AV (AV1) / AV2 /S-VHS mode Output.
P1.2/INT0	64	Remote control signal input.

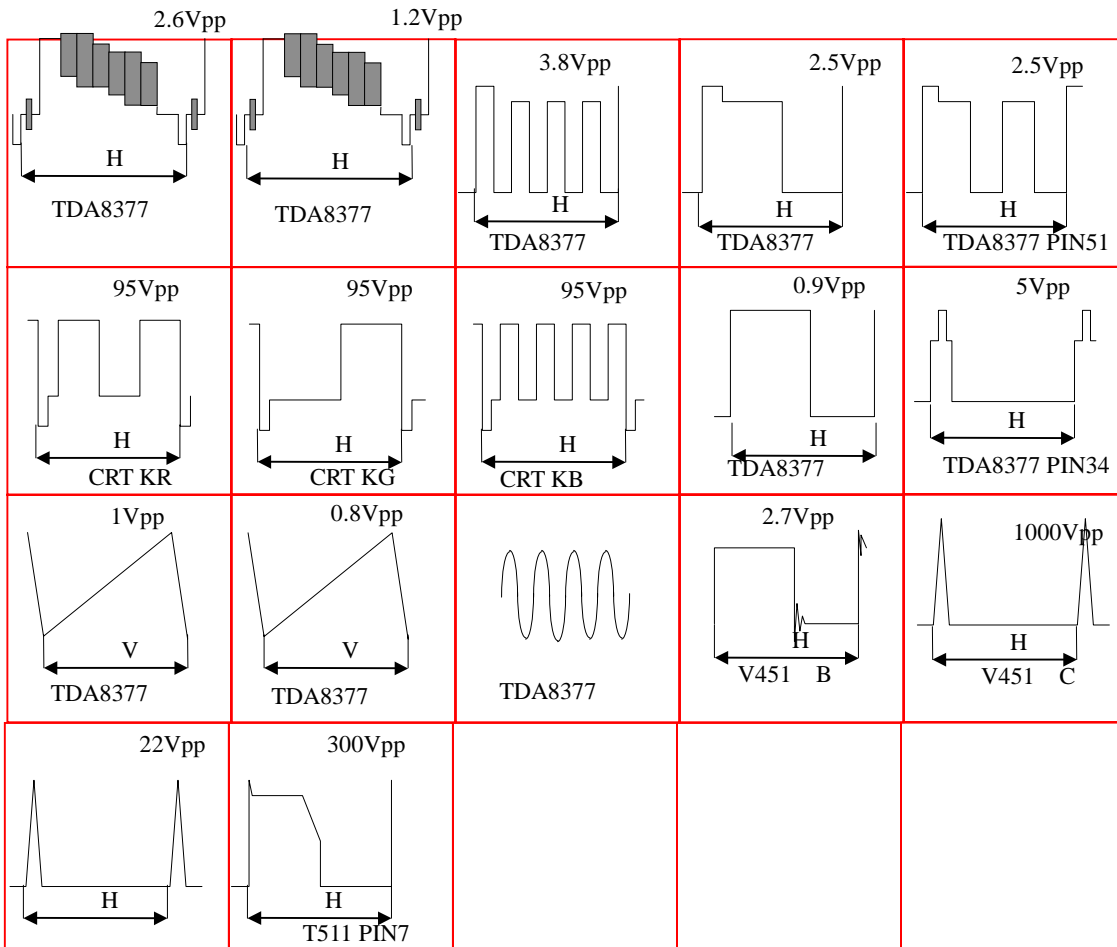
AN7522 Function : audio output

Symbol	PIN	Function	Symbol	PIN	Function
Vcc	1	Power supply	GND	7	ground
Out 1 (+)	2	Ch 1 output (+)	In 2	8	Ch 2 input
GND(out 1)	3	Ch 1Ground	VOL	9	Volume Control
Out 1 (-)	4	Ch 1 output (-)	Out 2 (-)	10	Ch 2 output (-)
Standby	5	Mute input	GND(out 2)	11	Ch 2 Ground
In 1	6	Ch 1 input	Out 2 (+)	12	Ch 2 output (+)

TDA8177 Function : vertical output

Symbol	PIN	Function	Symbol	PIN	Function
INV IN	1	Input	V OUT	5	Vertical output
VCC1	2	Power	VCC2	6	Output power supply
PUMP UP	3	Pump up power	NON INV IN	7	Negative feedback
GND	4	Ground			

Test point Waveforms



IC voltages

TDA8377

PIN	1	2	3	4	5	6	7	8	9	10	11	12	13	14	15	16
V	2.8	3.8	3.6	3.3	3.5	3.5	0.1	0.1	0	5.4	0.1	0	2.3	8	5	3
PIN	17	18	19	20	21	22	23	24	25	26	27	28	29	30	31	32
V	4	0	4	0.9	0.7	0.8	1.9	1.9	3.9	3.8	1.6	3.2	3.4	0	2.4	0.1
PIN	33	34	35	36	37	38	39	40	41	42	43	44	45	46	47	48
V	0.6	0.5	3.7	1.7	2.4	3.1	8	3.8	0	3.4	1.5	3.6	2.3	2.6	2.6	2.6
PIN	49	50	51	52	53	54	55	56	57	58	59	60	61	62	63	64
V	2.3	7.2	2.7	2.7	2.7	3.5	0	3.5	0.1	1.7	1.8	0	3.5	0.1	0.1	5

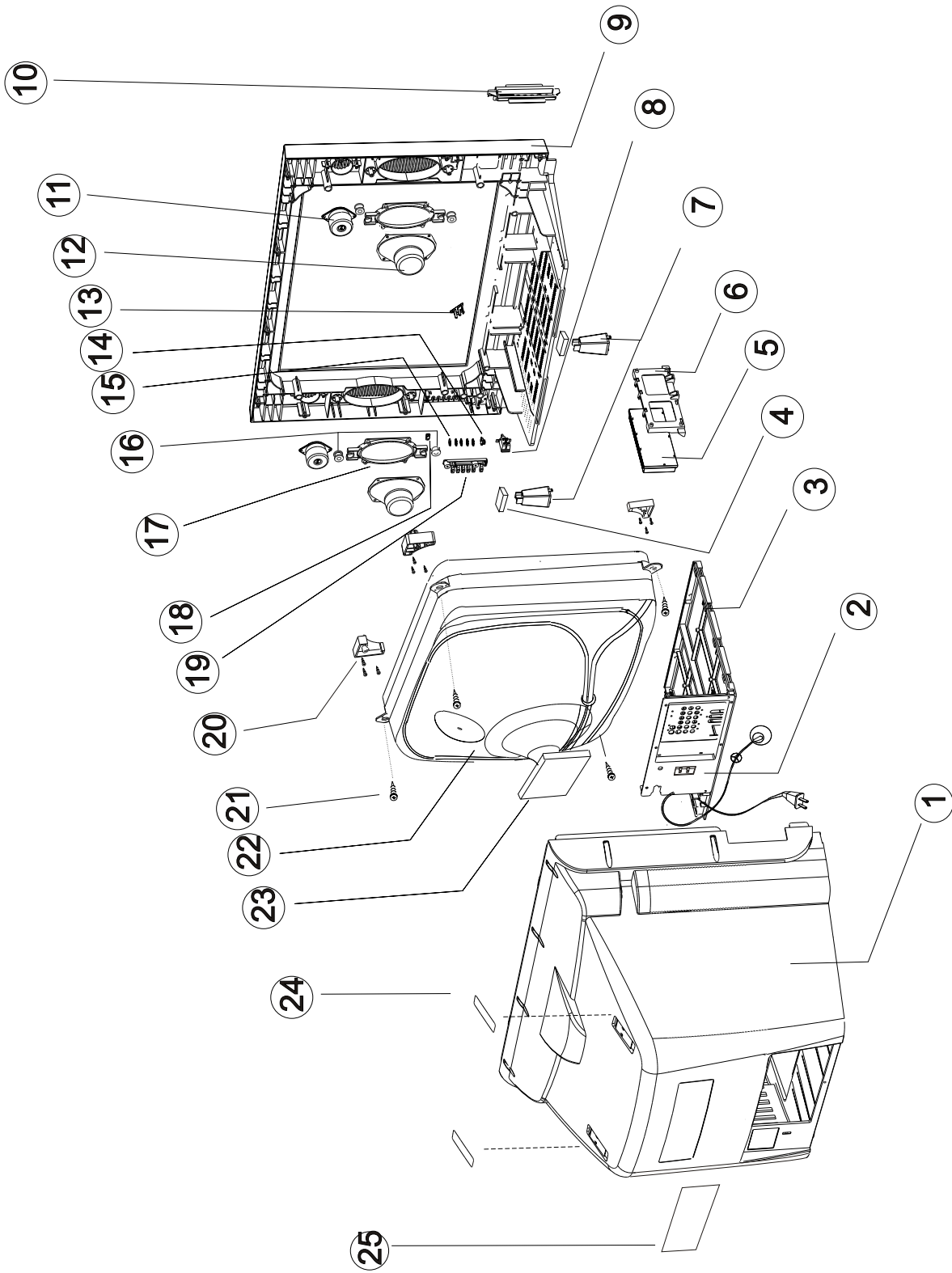
TDA8177

PIN	1	2	3	4	5	6	7
V	0.7	15	-12	-15	0.3	15.9	-0.07

AN 7522

PIN	1	2	3	4	5	6	7	8	9	10	11	12	
V	12	7	0	7	3.3	1.4	0	1.4	0	7	0	7	

Exploded view



NO.	DESCRIPTION	PART#
1	BACK CABINET	780-10908-040
2	REAR PANEL	808-10819-040
3	MAIN BOARD FRAME	863-60177U000
4	WASHER	868-10107-00
5		
6		
7	CRT SUPPORT	868-20175-00
8	POWER SWITCH/STANDBY BUTTON BOARD	360-30028-00/667-TS32351-05
9	FRONT CABINET	611-E50Y2-0E1
10	SIDE AV BOARD	667-TK2950-29
11	SPEAKER	384 - 20507 - 80
12	SPEAKER ST613-04	384-32108-50
13	TOUCH BUTTON	877-60595-00
14	BUTTON CAP	877-60531-00
15	BUTTON CAP (PLATING)	877-60530-01
16	WASHER	868-20217-00
17	SPEADER BRACKET	870-20693-00
18	LED COLUMN	700-60149-00
19	BUTTON	877-50409-00
20	CRT FIXER	615-10079/10080-00
21	COMPONENT NUT	648-30001-00
22	CRT	335-2942Q-60
23	CRT BOARD	No number
24	RIGHT/LEFT COVER BOARD	808-10570/10571-40
25	LABEL	880-10205-755

	PART LIST	
PART#	DESCRIPTION	LOCA. NO.
100-TK29500-11	TS2750J	
100-TK29500-01	TK2950	
862-20028-00	POWER CORD CLAMPE	
615-10079-00	CRT FIXER ASS'Y	
615-10080-00	CRT FIXER ASS'Y	
648-30001-00	COMPOSE NUTS SJ2843-87M6	
700-60149-00	LED COLUMN	
741-10001-02	WIRE FIXED BLADE	
741-10001-02	WIRE FIXED BLADE	
742-30005-09	LINE TIE	
742-30006-09	GRADING TIE	
742-30032-00	TIE	
742-30032-00	TIE	
742-30038-00	TIE	
742-30043-00	LINE TIE	
742-30043-00	LINE TIE	
807-20065-00	BACK CABINET BLOCK	
808-10570-40	COVER BOARD (LEFT)(MOLD GREY)	
808-10571-40	COVER BOARD (RIGHT)(MOLD GREY)	
808-70239-00	EVA GLUE 150X50X1	
851-23016-11	SCREW SJ2824 ST3X16C-DZn	
851-23016-11	SCREW SJ2824 ST3X16C-DZn	
851-24016-11	SCREW SJ2824 ST4X16C-DZn	
851-24016-11	SCREW SJ2824 ST4X16C-DZn	
851-24016-14	SCREW SJ2824 ST4X16C-Y	
851-24016-14	SCREW SJ2824 ST4X16C-Y	
851-24016-14	SCREW SJ2824 ST4X16C-Y	
851-24016-14	SCREW SJ2824 ST4X16C-Y	
851-24016-14	SCREW SJ2824 ST4X16C-Y	
851-24016-14	SCREW SJ2824 ST4X16C-Y	
851-24020-14	SCREW SJ2824 ST4X20C-Y	
851-24020-14	SCREW SJ2824 ST4X20C-Y	
851-24025-11	SCREW SJ2824 ST4X25C-D.Zn	
851-24025-11	SCREW SJ2824 ST4X25C-D.Zn	
851-53012-11	SCREW SJ2825 ST3X12C-D.Zn	
851-53012-11	SCREW SJ2825 ST3X12C-D.Zn	
851-53012-31	SCREW SJ2825ST3X12FT-DZn	
851-53012-31	SCREW SJ2825ST3X12FT-DZn	
855-A0024-00	SCREW M4X18	
855-A0024-00	SCREW M4X18	
857-10004-00	COTTON FLANNEL	
857-10004-00	COTTON FLANNEL	
857-10004-00	COTTON FLANNEL	
857-10004-00	COTTON FLANNEL	
868-10107-00	CUSHION	
868-10107-00	CUSHION	
868-20007-00	SLEEVE	
868-20109-00	WASHER	
868-20175-00	SUPPORT CUSHION	
868-20175-00	SUPPORT CUSHION	
868-20271-00	RUBBER WASHER	
868-20271-00	RUBBER WASHER	

868-20462-00A	CRT SUPPORT	
868-20465-00A	CUSHION	
887-20044-01	POWER CORD COVER	
887-21114-P0	PE/PEARL COTTONPALSTIC BAG 1300X1250	
893-10600-11	NUT GB6170-86-M6 D.Zn	
893-10600-11	NUT GB6170-86-M6 D.Zn	
100-U29F0-01FD	ASSEMBLY ACCESSORY RATION U,V,29F6	
611-E50Y2-0E1	FRONT CABINET ASS'Y (GR10,SILK-SCREEN)	
335-2942Q-00	CRT 73SX707Y22-DC01-A !	
780-10908-040	BACK CABINET (MOLD GREY)	
863-80767-00A	POLY FOAM (TOP)(SMALL)	
863-80768-00	POLY FOAM (BOTTOM)(SMALL)	
886-31150-00	CARTON BOX (BLANK SMALL)	
360-30028-00	POWER SWITCH KDC-A04-S !	
491-752J0-02	POWER CORD UL !	
123-30001-04	TWIST WIRE	
770-40151-40	IMITATEUL1672 22# 400mm BLACK	
838-10012-00	BRAIDED WIARE SPRING	
881-60085	BLANK WARNING LABEL	
887-21135-00	CLASPER PALSTIC BAG 230X330X0.1	
880-10205-755	BACK PLATE (TS2750J,JENSEN)	
880-10414-01	FRONT LOGO (JENSEN, SILVERY GLOSS GREY 10	
881-63629-00	UPCBAR CODE LABEL (69020712750)	
881-63030-00A	POWER SYMBOL LABEL (JENSEN)	
881-61884-00	CSA WARNING LABEL	
488-10007-00	BATTERY 5#	
611-E50Y3J0H1C	FRONT CABINET ASS'Y (HIPS V0 SILVER WHITE 03	
886-31150-18	CARTON BOX (TS2750J,JENSEN)	
335-2942Q-60	CRT NA MAGNETIC FIELD !	
881-80666-00	REGISTER CARD (JENSEN AMERICA)	
604-TK27506-02	OWNER'S MANUALJENSEN CPU	
881-80669-00	SERVICE CARD (27-32 CRT)	
615-20433-00	SPEAK ASS'Y	
384-20507-80	SPEAKER ST50-G01	
384-32108-50	SPEAKER YDT813	
464-30522-M0	ELECTROLYTIC CAPACITOR CD11W-50V-2.2uF-M	
655-41201-322	(4-PINS) LEAD WITH HOUSING	
741-10001-02	WIRE FIXED BLADE	
770-30102-01	RV0.2 12X0.15 300mm BROWN	
770-30102-02	RV0.2 12X0.15 300mm RED	
851-53008-31	SCREW SJ2825 ST3X8FT D.Zn	
868-20217-00	WASHER	
870-20693-00	SPEAK BRACKET	
667-TKE50-01A	MAIN PCB ASS'Y	
667-TKE50-01A\	MAIN PCB ASS'Y (MANUAL INSERTION)	
364-34101-00	4-PINS CONNECTORS TJC3-04A	XS701
535-TKE50-01W	OUTSOURCING ASS'Y	
BT-0330D---CH	REMOTE CONTROL UNIT	ZZ030
BXATB017F---K	TUNER(ET-5T5E-AF108)	A101
CEF471M1ACHNP	ELECTROLYTIC CAPACITOR 50V 470u	C2001

CKMX471K301ND	CERAMIC CAPACITOR AC 400V 470P	C598,C598B
CMNX224M801NP	POLYESTER CAPACITOR AC 275V 0.22u	C502
DH24R5M001-NC	THERMISTOR PTC 4.5ohm(3 END)	PS501
DN15R0M001-NH	NTC MF72-5D13 5ohm	R502
DRRGP10D---TD	DIODE RGP10D	VD2002
DRTRGP30J--NZ	DIODE TRGP30J	VD524
GABV2001----A	2S SOCKET(MIDDLE)	XS2002
GACV2001----A	2S SOCKET(SMALL XH) KTa	XS2001
HAA0004-----G	SMIT-SS-112DM(27ohm)	CN2001
JS2451-B002-A	2P LINE(450mm)	XS2003
JW2301-E001-P	2P LINE(300mm XH-D2)	XS201
LBB5R6K----TC	5.6uH-K	L351
LEA001-5---NJ	M-COIL(LINE FERRITE BEAD)	L505
LG-003-----NL	LINE FILTER(4MH)	L502
LG-040-----NL	LINE FILTER	L501
LM-069-----NG	DEGAUS COIL	
NOM8377-B-9NA	OM8377 PS/N3	N301
PX20030A---8S	MAIN+CRT PCB	zz060
PYF0001----2S	DEGAUSSING CIRCUIT BOARD	ZZ63
Q2PA1015-GNF-	TRANSISTOR 2PA1015G	V2001
RGDX126K-03NA	1/2W 12M(PMSR34015126)	R519
TM-0108U---0L	CON.TRANS(BCK-180-34A UL	T501
XFS031-----NB	SAWF M1967	Z301
569-18101-00U	FUSE 51S 5A/125V !	
667-TKE53-01\	MAIN PCB ASS'Y (MANUAL INSERTION)	
364-32101-00	2-PINS CONNECTORS TJC3-02A	XS702
364-33101-00	3-PINS CONNECTORS TJC3-03A	U701
364-36101-00	6-PINS CONNECTORS TJC3-06A	XS895
459-2156K-00	CERAMIC CAPACITOR CT1-06-2B4-63V-561K	C381
459-2310R-00	CERAMIC CAPACITOR CT1-08-2F4-63V-103Z	C472
464-60510-M0	ELECTROLYTIC CAPACITOR CD110-50V-1uF-M	C827
464-60522-M0	ELECTROLYTIC CAPACITOR CD110-50V-2.2uF-M	C339
464-60547-M0	ELECTROLYTIC CAPACITOR CD110-50V-4.7uF-M	C340
464-62610-M0	ELECTROLYTIC CAPACITOR CD288-160V-10uF-M	C458
467-1DA82-H0	CARBON RESISTOR RT14-1/4W-8.2Ω-J	R513
467-1E433-H0	CARBON RESISTOR 1/2W-330K-J	R942
467-2D218-G0	METAL RESISTOR 1/4W-1.8K-G	R403
467-2D218-G0	METAL RESISTOR 1/4W-1.8K-G	R405
535-TK2953-00W	OUTSOURCING ASS'Y	
RDD683J-NACTD	CARBON RESISTOR 1/2W 68K	R507 R508
RFD1R0J4ACCNF	FUSIBLE RESISTOR 1/2W 1.0	R430 R473B
RFER27J5ACDNF	FUSIBLE RESISTOR 1W 0.27	R555 R565 R566
RFER47J5ACDNF	FUSIBLE RESISTOR 1W 0.47	R165 R470 R472
RGDX152K-03NZ	1/2W 1.5K	R918 R928 R938
RGDX246K-03NZ	1/2W 24M	R519
RJB393F-NAATD	METAL RESISTOR 1/6W 39K	R411
RSE102J4ACCND	METAL RESISTOR 1W 1K	R466
RSE1R5J5DCCND	METAL RESISTOR 1W 1.5	R406
RSE1R8J5DCCND	METAL RESISTOR 1W 1.8	R408
RSE220J5ACCND	METAL RESISTOR 1W 22	R300A
RSF101J5ACDND	METAL RESISTOR 2W 100	R407
RSF103J5ACDND	METAL RESISTOR 2W 10K	R467 R703 R915 R925 R935

RSF223J7ACDND	METAL RESISTOR 2W 22K	R556
RSF271J7ACDND	METAL RESISTOR 2W 270	R454 R546
RSF4R7J7ACDND	METAL RESISTOR 2W 4.7	R445
RSF560J5ACDND	METAL RESISTOR 2W 56	R446 R530
RSF5R6J5ACDND	METAL RESISTOR 2W 5.6	R941 R480
RSG473J7ACEND	METAL RESISTOR 3W 47K	R504
RWH3R9K3AK-NR	5W 3.9	R458
VDAAA104A001C	POTENTIOMETER 100KB	VR431 VR432
VDAAA203A001C	POTENTIOMETER 20KB	VR433 VR501
CCF330J1CA-FC	CERAMIC CAPACITOR 50V 33P	C761 C762
CKF331K1BA-FC	CERAMIC CAPACITOR 50V 330P	C911 C921 C931
CKF471K1BA-FC	CERAMIC CAPACITOR 50V 470P	C513 C732 C803 C805 C812 C814 C824 C826
CKF472K1BA-FC	CERAMIC CAPACITOR 50V 4700P	C324 C336
CKMX102M301ND	CERAMIC CAPACITOR AC 400V 1000P	C515
CKMX471K301ND	CERAMIC CAPACITOR AC 400V 470P	C515A
CKP101K1BA-FC	CERAMIC CAPACITOR 500V 100P	C482
CKW102K2BJ-ND	CERAMIC CAPACITOR 1KV 1000P	C503 C504 C505 C506
CKW471K2RA-ND	CERAMIC CAPACITOR 1KV 470P	C529
CKX102P2EJ-ND	CERAMIC CAPACITOR 2KV 1000P	C512 C943
CKX221K2RA-ND	CERAMIC CAPACITOR 2KV 220P	C509
CKX471K2RA-ND	CERAMIC CAPACITOR 2KV 470P	C543
CKX681K2RA-ND	CERAMIC CAPACITOR 2KV 680P	C527
CED101M1ACBNP	ELECTROLYTIC CAPACITOR 25V 100u	C471 C471A
CED102M1ACHNP	ELECTROLYTIC CAPACITOR 25V 1000u	C522
CED222M2ACKNP	ELECTROLYTIC CAPACITOR 25V 2200u	C524
CED471M1ACENP	ELECTROLYTIC CAPACITOR 25V 470u	C161 C474 C474A
CEE101M1ACCFP	ELECTROLYTIC CAPACITOR 35V 100u	C406
CEE331M1ACFNP	ELECTROLYTIC CAPACITOR 35V 330u	C530
CEE470M1ACCFP	ELECTROLYTIC CAPACITOR 35V 47u	C430 C453 C490
CEH471M3AEBNM	ELECTROLYTIC CAPACITOR 160V 470u	C528B
CEH4R7M1BCCFP	ELECTROLYTIC CAPACITOR 160V 4.7u	C466
CEK100M1ACHNP	ELECTROLYTIC CAPACITOR 250V 10u	C477 C941
CEM331M3AEPNM	ELECTROLYTIC CAPACITOR 400V 330u(30*40)	C507
CPF6R8MY01NP	ELECTROLYTIC CAPACITOR 50V 6.8u(NO POLARITY)	C446
CAF104K1-H-FC	POLYESTER CAPACITOR 50V 0.1u	C326 C338 C365 C411 C431 C511
CAF224K1-H-FC	POLYESTER CAPACITOR 50V 0.22u	C331 C334
CAF474K1-H-FC	POLYESTER CAPACITOR 50V 0.47u	C404 C461
CMNX224M801NE	POLYESTER CAPACITOR AC 275V 0.22u	C501
CMM434J8-H-NL	POLYESTER CAPACITOR 400V 0.43u	C467
CMR103J5-H-NE	POLYESTER CAPACITOR 630V 0.01u	C508
CMZ822J7-H-NE	POLYESTER CAPACITOR 1.6KV 8200p	C456
CMZ912J7-H-NE	POLYESTER CAPACITOR 1.6KV 9100P	C455
CNM333J7-H-NE	POLYESTER CAPACITOR 400V 0.033u	C457
LAD601K2---NJ	STAND INDUCTANCE LGB-600uH(1.5A)	L441
LBB820K----TG	82uH-K	L911 L912 L913
LEA001-3---NJ	M-COIL(LINE FERRITE BEAD)	L505
LEA001-5---NJ	M-COIL(LINE FERRITE BEAD)	L450
LEE004----NJ	-PINSFERRITE BEAD (6*5*1.5mm)	ZD524A ZD524B
LF-026-3---NJ	LINE COIL	L452
LG-013-----NL	LINE FILTER 10*12.5	L501
LM-040-----NG	DEGAUS COIL(E7X 12ohm)	L901
DH2090M003-NC	MZ73BL-9ohm	PS501
DN14R7M001-NC	NTC 4.7ohm	R502

DRBAV21----NJ	DIODE BAV21	VD912 VD922 VD932
DRTVR4J----ND	DIODE TVR4J	VD503 VD504 VD505 VD506
DRRGP10D---TD	DIODE RGP10D	VD401 VD470 VD471 VD510
		VD512 VD522 VD525 VD490
DRRGP10J---TD	DIODE RGP10J	VD436 VD472 VD513
DRRGP15D---ND	DIODE RGP15D	VD543
DRRGP30D---ND	DIODE RGP30D	VD521
DRTRGP30J---NZ	DIODE TRGP30J	VD524
DRTRU4C----NZ	DIODE TRU4C	VD452
DRTRU4DS---NZ	DIODE TRU4DS	VD451
DRTVR4J----ND	DIODE TVR4J	VD508
DZHZ22-2---TQ	ZENER TUBE HZ22-2	VD432 VD481
DZHZ3C3----TQ	ZENER TUBE HZ3C3	VD564
DZHZ4A2----TQ	ZENER TUBE HZ4A2	VD509
DZHZ5C1----TQ	ZENER TUBE HZ5C1	VD300A
DZHZ7C1----TQ	ZENER TUBE HZ7C1	VD381 VD382 VD383
DZHZ9A3----TQ	ZENER TUBE HZ9A3	VD460 VD483 VD822 VD941 VD861A
NAN7522N---N-	AN7522N	N161
NAT24C08---N-	AT24C08	N702
NCD8145CP--N-	CD8145CP	N431
NCW574CS---N-	CW574CS	N703
NHEF4052---BP	HEF4052	N121 N801
NK1010B---N-	K1010B	N504
NKA431AZ---N-	KA431AZ	V540
NKA5Q1265RFN-	KA5Q1265RF	N501
NMC7805CT--N-	MC7805CT	N505
NMC7808CT--N-	MC7808CT	N503
NTDA8177---N-	TDA8177	N401
NTDA9381B39NE	TDA9381PS/NB/2 1831	N301
Q2PA1015-GNF-	TRANSISTOR 2PA1015G	V171 V491
Q2PC1815-GNF-	TRANSISTOR 2PC1815 G	V121 V122 V173 V351
		V352 V395 V504 V801 V490
Q2SB1443--NN-	TRANSISTOR 2SB1443 TV2 Q	V542
QBF421----NN-	TRANSISTOR BF421	V913 V923 V933
QBF422----NN-	TRANSISTOR BF422	V912 V922 V932
QFJAF6810-NN-	TRANSISTOR FJAF6810	V451
QKSA940----N-	TRANSISTOR KSA940	V432
QKSC1674C-NN-	TRANSISTOR KSC1674C	V308
QKSC2383-ONN-	TRANSISTOR KSC2383O	V450
QKSC2688--NN-	TRANSISTOR KSC2688	V911 V921 V931
QPH2369---NN-	TRANSISTOR PH2369	V701
FBA3154S02C-A	FUSE 3.15A 250V(FUSE)	F501
XFS043-----NB	SAW FILTER(K2966M D2901C	Z301
XTC006-----ND	T 6.5M(TRAP FILTER)	Z351
XTC008-----ND	T 5.5M(TRAP FILTER)	Z354
XX-021-----NV	CR.OSC(12M 18P)	X761
GAAV2001----A	2S SOCKET(BIG)	XR502 XS501A
GABV2001----N	2S SOCKET(MIDDLE)	XS502
GABV5001----A	DY SOCKET(MIDDLE) DYa	XS403
GACV4001----A	4S SOCKET(SMALL XH)	XS161
GBAVL005----A	CRT SOCKET(GZS8-6-4CE)	XS901
GBBB9-06----8	AV SOCKET	XS801
GBCH5001----Y	S END	XS861

JD2261-A010-A	POWER LINE (260mm 2940	KF'
JS4501-B001-A	DY LINE(500mm)	KDY
JW4451-J001-A	4P LINE(450mm D2-D2)	XP402
JW5501-E001-A	5P LINE(500mm XH-D2)	XS903
TD-0042----0L	H-DRIVER(ROW PUSH)BCH-13	T450
TF-0090----2U	F.B.T	T451
TM-0108----OL	CON.TRANS(BCK-1254-108)	T501
BT-0308A---CH		ZZ010
BXATB138----S	TUNER 38.9MHZ	A101
M90X0003---91	INSULATING CUSHION 18*13 D4.8	Z1
MB0X0011---G8	FUSE SOCKET(FUSE HOLDER)	F501A F501B
MB1X0040---BF	12V RADIATOR	H-N505
MB1X0114---BF	5V RADIATOR (CUBA)	H-N503
MB1X0163---BG	PINCUSHION CORRECTION RADIATOR (BLACK)	H-V432
MB1X0179---BF	SOUND RADIATOR (AN7522N)	H-N161
MB1X0204---BF	POWER RADIATOR	H-N501
MB1X0208---BF	FRAME , ROW RADIATOR	H-V451
MG3X0036---D7	INSULATING WASHER (D9)	Z2
MG3X0037---D7	INSULATING WASHER (D9)	Z3
PX20030----9S	MAIN+CRT PCB	zz060
SCA-25016FE-H	GB818 M2.5*16	SN 401
SFAC30010FE1H	SJ2836-87(M3*10.1)	SN 503 SN161A SN161B
SFAC30012FE1H	SJ2836-87(M3*12.1)	S-N501 S-V451
SKA-308R0FE-H	GB845-78 ST3*8	S-N505 S-V432
SXN1A25--FF-H	M2.5NUT	zz360
SXN1A30--FF-H	M3(NUT)	N-N501 N-N503 N-V451 NN161A NN161B
SXW1A25--FE-H	GB97.1 D2.5 WASHER	ZN401
GACV5001----A	5S SOCKET(SMALL XH)	XS301
MG3X0073----G7	FIXED CARD	
998	JUMPER WIRE	W343
998	JUMPER WIRE	W844A
998	JUMPER WIRE	W861
998	JUMPER WIRE	VD1561
471-2001K-00	PEAKING COIL SPT0305-1R0K-5	L302
471-2A39K-00	PEAKING COIL SPT0305-3R9K-5K	L351
464-6D747-M0	ELECTROLYTIC CAPACITOR CD110-16V-470uF-M	C801
459-5239K-00	CERAMIC CAPACITOR RQC12B392K-H46CA	C451
467-1E210-H0	CARBON RESISTOR 1/2W-1K-J	R453
464-6D647-M0	ELECTROLYTIC CAPACITOR CD110-16V-47uF-M	C804
464-60510-M0	ELECTROLYTIC CAPACITOR CD110-50V-1uF-M	C337
742-30005-09	LINE TIE	
666-12301-00	FERRITE BEAD TY23X13.5X6	
851-24012-11	SCREW SJ2824 ST4X12C-D.Zn	
851-53012-11	SCREW SJ2825 ST3X12C-D.Zn	
851-53012-11	SCREW SJ2825 ST3X12C-D.Zn	
851-53012-11	SCREW SJ2825 ST3X12C-D.Zn	
851-53012-14	SCREW SJ2825 ST3X12C-D.Zn	
851-53012-14	SCREW SJ2825 ST3X12C-D.Zn	
851-53016-11	SCREW SJ2825 ST3X16C-D.Zn	
851-53016-11	SCREW SJ2825 ST3X16C-D.Zn	
851-53016-11	SCREW SJ2825 ST3X16C-D.Zn	
863-60172U000	MAIN BOARD FRAME (HIPS V0)	
870-20357-00B	WIRE FIXED HOLDER	

870-30150U000	FBT BRACKET (HIPS V0)	
881-60074-00	HIGH VOLTAGE WARNING LABEL	
681-40003-00	OK LABEL	
741-10001-02	WIRE FIXED BLADE	
666-12301-00	FERRITE BEAD TY23X13.5X6	
808-10760-020	BLACK PLATE (MOLD BLACK)	
808-60895-01	INTERFACE SPACE PLATE (SILK-SCREEN)	
467-8E522-H0U	SOLID RESISTOR 1/2W-2.2MΩ-JL !	R501
475-25451-00	CERAMIC TRAP FILTER XT4.5MB	Z351
742-30005-09	LINE TIE	
887-20171-00	PALSTIC BAG 70-500-0.06	
863-60177U000	MAIN BOARD FRAME (HIPS V0)	
491-752H0-02	POWER CORD UL !	
851-24014-31	SCREW SJ2824 ST4X14C-D.Zn	
851-24014-31	SCREW SJ2824 ST4X14C-D.Zn	
808-10819-040	BLACK PLATE (MOLD GREY)	
808-60918-02	INTERFACE SPACE PLATE (SILK-SCREEN)	
667-TKE50-01A*	MAIN PCB ASS'Y (AUTOMATIC INSERTION)	
467-1C110-H03	CARBON RESISTOR 1/6W-100Ω-J	R301A
467-1C110-H03	CARBON RESISTOR 1/6W-100Ω-J	R302A
467-1C210-H03	CARBON RESISTOR 1/6W-1K-J	R380
340-51240-003	ZENER DIODE HZ12A3	VD588
895-6016030-50	RIVET GB876-86 1.6X3 COPPER	L502
895-6016030-50	RIVET GB876-86 1.6X3 COPPER	
467-1C233-H03	CARBON RESISTOR 1/6W-3.3K-J	R702
459-2182K-002	CERAMIC CAPACITOR RPU05B821K-H46CA	C323
667-TKE53-01*	MAIN PCB ASS'Y (AUTOMATIC INSERTION)	
340-00001-003	DIODE 1N4148	VD171
340-00001-003	DIODE 1N4148	VD431
340-00001-003	DIODE 1N4148	VD461
340-00001-003	DIODE 1N4148	VD462
340-00001-003	DIODE 1N4148	VD511
340-00001-003	DIODE 1N4148	VD544
340-00001-003	DIODE 1N4148	VD561
340-00001-003	DIODE 1N4148	VD562
340-00001-003	DIODE 1N4148	VD734
340-00001-003	DIODE 1N4148	VD911
340-00001-003	DIODE 1N4148	VD921
340-00001-003	DIODE 1N4148	VD931
459-2133K-902	CERAMIC CAPACITOR RBU07SL331K-H46CA	C323
459-2210K-002	CERAMIC CAPACITOR CK45-B1H102KYR	C308
459-2210K-002	CERAMIC CAPACITOR CK45-B1H102KYR	C311
459-2210K-002	CERAMIC CAPACITOR CK45-B1H102KYR	C401
459-2210K-002	CERAMIC CAPACITOR CK45-B1H102KYR	C402
459-2210K-002	CERAMIC CAPACITOR CK45-B1H102KYR	C721
459-2210K-002	CERAMIC CAPACITOR CK45-B1H102KYR	C861
459-2222K-002	CERAMIC CAPACITOR CT1-08-2B4-63V-222K	C335
459-2310R-002	CERAMIC CAPACITOR CK45-F1H103ZYR	C162
459-2310R-002	CERAMIC CAPACITOR CK45-F1H103ZYR	C302
459-2310R-002	CERAMIC CAPACITOR CK45-F1H103ZYR	C309
459-2310R-002	CERAMIC CAPACITOR CK45-F1H103ZYR	C313
459-2310R-002	CERAMIC CAPACITOR CK45-F1H103ZYR	C332

459-2310R-002	CERAMIC CAPACITOR CK45-F1H103ZYR	C362
459-2310R-002	CERAMIC CAPACITOR CK45-F1H103ZYR	C475
459-2310R-002	CERAMIC CAPACITOR CK45-F1H103ZYR	C535
459-2310R-002	CERAMIC CAPACITOR CK45-F1H103ZYR	C703A
459-2310R-002	CERAMIC CAPACITOR CK45-F1H103ZYR	C723
459-2310R-002	CERAMIC CAPACITOR CK45-F1H103ZYR	C744
459-2310R-002	CERAMIC CAPACITOR CK45-F1H103ZYR	C752
459-2310R-002	CERAMIC CAPACITOR CK45-F1H103ZYR	C756
459-5122K-002	CERAMIC CAPACITOR RQC05B221K-6H46UA	C405
459-5210K-002	CERAMIC CAPACITOR CK45-B2H102KYR	C452
467-1C210-H03	CARBON RESISTOR 1/6W-1K-J	R351
462-00233-K02	POLYESTER CAPACITOR CL11-100V-3300PF-K	C321
462-00256-H02	POLYESTER CAPACITOR CL11-100V-5600PF-J	C154
462-00256-H02	POLYESTER CAPACITOR CL11-100V-5600PF-J	C158
462-00333-K02	POLYESTER CAPACITOR CL11-100V-0.033uF-K	C403
462-00333-K02	POLYESTER CAPACITOR CL11-100V-0.033uF-K	C510
462-00333-K02	POLYESTER CAPACITOR CL11-100V-0.033uF-K	C544
462-00347-K02	POLYESTER CAPACITOR CL11-100V-0.047uF-K	C427
462-00410-K02	POLYESTER CAPACITOR CL11-100V-0.1uF-K	C460
462-00410-K02	POLYESTER CAPACITOR CL11-100V-0.1uF-K	C705
462-00410-K02	POLYESTER CAPACITOR CL11-100V-0.1uF-K	C706
462-00410-K02	POLYESTER CAPACITOR CL11-100V-0.1uF-K	C707
464-6C710-M02	ELECTROLYTIC CAPACITOR CD110-10V-100uF-M	C548
464-6D610-M02	ELECTROLYTIC CAPACITOR CD110-16V-10uF-M	C163A
464-6D610-M02	ELECTROLYTIC CAPACITOR CD110-16V-10uF-M	C172
464-6D610-M02	ELECTROLYTIC CAPACITOR CD110-16V-10uF-M	C301
464-6D610-M02	ELECTROLYTIC CAPACITOR CD110-16V-10uF-M	C307
464-6D610-M02	ELECTROLYTIC CAPACITOR CD110-16V-10uF-M	C322
464-6D610-M02	ELECTROLYTIC CAPACITOR CD110-16V-10uF-M	C363
464-6D610-M02	ELECTROLYTIC CAPACITOR CD110-16V-10uF-M	C364
464-6D610-M02	ELECTROLYTIC CAPACITOR CD110-16V-10uF-M	C367
464-6D610-M02	ELECTROLYTIC CAPACITOR CD110-16V-10uF-M	C751
464-6D610-M02	ELECTROLYTIC CAPACITOR CD110-16V-10uF-M	C807
464-6D610-M02	ELECTROLYTIC CAPACITOR CD110-16V-10uF-M	C871
464-6D622-M02	ELECTROLYTIC CAPACITOR CD110-16V-22uF-M	C745
464-6D647-M02	ELECTROLYTIC CAPACITOR CD110-16V-47uF-M	C116
464-6D647-M02	ELECTROLYTIC CAPACITOR CD110-16V-47uF-M	C171
464-6D647-M02	ELECTROLYTIC CAPACITOR CD110-16V-47uF-M	C333
464-6D647-M02	ELECTROLYTIC CAPACITOR CD110-16V-47uF-M	C352
464-6D647-M02	ELECTROLYTIC CAPACITOR CD110-16V-47uF-M	C561
464-6D647-M02	ELECTROLYTIC CAPACITOR CD110-16V-47uF-M	C723A
464-6D647-M02	ELECTROLYTIC CAPACITOR CD110-16V-47uF-M	C811
464-6D647-M02	ELECTROLYTIC CAPACITOR CD110-16V-47uF-M	C823
464-6D647-M02	ELECTROLYTIC CAPACITOR CD110-16V-47uF-M	C121
464-6D647-M02	ELECTROLYTIC CAPACITOR CD110-16V-47uF-M	C123
464-6D647-M02	ELECTROLYTIC CAPACITOR CD110-16V-47uF-M	C806
464-6D710-M02	ELECTROLYTIC CAPACITOR CD110-16V-100uF-M	C361
464-6D710-M02	ELECTROLYTIC CAPACITOR CD110-16V-100uF-M	C743
464-6D747-M02	ELECTROLYTIC CAPACITOR CD110-16V-470uF-M	C525
464-6D747-M02	ELECTROLYTIC CAPACITOR CD110-16V-470uF-M	C532
464-60447-M02	ELECTROLYTIC CAPACITOR CD110-50V-0.47uF-M	C372
464-60447-M02	ELECTROLYTIC CAPACITOR CD110-50V-0.47uF-M	C374
464-60510-M02	ELECTROLYTIC CAPACITOR CD110-50V-1uF-M	C153
464-60510-M02	ELECTROLYTIC CAPACITOR CD110-50V-1uF-M	C157

464-60510-M02	ELECTROLYTIC CAPACITOR CD110-50V-1uF-M	C163
464-60510-M02	ELECTROLYTIC CAPACITOR CD110-50V-1uF-M	C813
464-60510-M02	ELECTROLYTIC CAPACITOR CD110-50V-1uF-M	C815
464-60510-M02	ELECTROLYTIC CAPACITOR CD110-50V-1uF-M	C825
464-60510-M02	ELECTROLYTIC CAPACITOR CD110-50V-1uF-M	C862
464-60522-M02	ELECTROLYTIC CAPACITOR CD110-50V-2.2uF-M	C755
464-60547-M02	ELECTROLYTIC CAPACITOR CD110-50V-4.7uF-M	C303
464-60547-M02	ELECTROLYTIC CAPACITOR CD110-50V-4.7uF-M	C304
464-60547-M02	ELECTROLYTIC CAPACITOR CD110-50V-4.7uF-M	C325
464-60547-M02	ELECTROLYTIC CAPACITOR CD110-50V-4.7uF-M	C464
464-60622-M02	ELECTROLYTIC CAPACITOR CD110-50V-22uF-M	C703
464-60647-M02	ELECTROLYTIC CAPACITOR CD110-50V-47uF-M	C462
464-60647-M02	ELECTROLYTIC CAPACITOR CD110-50V-47uF-M	C517
467-1C010-H03	CARBON RESISTOR 1/6W-10Ω-J	R312
467-1C010-H03	CARBON RESISTOR 1/6W-10Ω-J	R871
467-1C022-H03	CARBON RESISTOR 1/6W-22Ω-J	R914
467-1C022-H03	CARBON RESISTOR 1/6W-22Ω-J	R924
467-1C022-H03	CARBON RESISTOR 1/6W-22Ω-J	R934
467-1C033-H03	CARBON RESISTOR 1/6W-33Ω-J	R398
467-1C033-H03	CARBON RESISTOR 1/6W-33Ω-J	R806
467-1C047-H03	CARBON RESISTOR 1/6W-47Ω-J	R368
467-1C047-H03	CARBON RESISTOR 1/6W-47Ω-J	R708
467-1C047-H03	CARBON RESISTOR 1/6W-47Ω-J	R911
467-1C047-H03	CARBON RESISTOR 1/6W-47Ω-J	R921
467-1C047-H03	CARBON RESISTOR 1/6W-47Ω-J	R931
467-1C056-H03	CARBON RESISTOR 1/6W-56Ω-J	R355
467-1C068-H03	CARBON RESISTOR 1/6W-68Ω-J	R304
467-1C068-H03	CARBON RESISTOR 1/6W-68Ω-J	R801
467-1C082-H03	CARBON RESISTOR 1/6W-82Ω-J	R313
467-1C082-H03	CARBON RESISTOR 1/6W-82Ω-J	R815
467-1C082-H03	CARBON RESISTOR 1/6W-82Ω-J	R824
467-1C110-H03	CARBON RESISTOR 1/6W-100Ω-J	R301
467-1C110-H03	CARBON RESISTOR 1/6W-100Ω-J	R302
467-1C110-H03	CARBON RESISTOR 1/6W-100Ω-J	R363
467-1C110-H03	CARBON RESISTOR 1/6W-100Ω-J	R365
467-1C110-H03	CARBON RESISTOR 1/6W-100Ω-J	R381
467-1C110-H03	CARBON RESISTOR 1/6W-100Ω-J	R382
467-1C110-H03	CARBON RESISTOR 1/6W-100Ω-J	R383
467-1C110-H03	CARBON RESISTOR 1/6W-100Ω-J	R401
467-1C110-H03	CARBON RESISTOR 1/6W-100Ω-J	R402
467-1C110-H03	CARBON RESISTOR 1/6W-100Ω-J	R452
467-1C110-H03	CARBON RESISTOR 1/6W-100Ω-J	R463
467-1C110-H03	CARBON RESISTOR 1/6W-100Ω-J	R723
467-1C110-H03	CARBON RESISTOR 1/6W-100Ω-J	R724
467-1C110-H03	CARBON RESISTOR 1/6W-100Ω-J	R743
467-1C110-H03	CARBON RESISTOR 1/6W-100Ω-J	R861
467-1C110-H03	CARBON RESISTOR 1/6W-100Ω-J	R862
467-1C110-H03	CARBON RESISTOR 1/6W-100Ω-J	R366
467-1C115-H03	CARBON RESISTOR 1/6W-150Ω-J	R815A
467-1C115-H03	CARBON RESISTOR 1/6W-150Ω-J	R848
467-1C115-H03	CARBON RESISTOR 1/6W-150Ω-J	R852
467-1C118-H03	CARBON RESISTOR 1/6W-180Ω-J	R353
467-1C122-H03	CARBON RESISTOR 1/6W-220Ω-J	R311
467-1C122-H03	CARBON RESISTOR 1/6W-220Ω-J	R442

467-1C122-H03	CARBON RESISTOR 1/6W-220Ω-J	R917
467-1C122-H03	CARBON RESISTOR 1/6W-220Ω-J	R927
467-1C122-H03	CARBON RESISTOR 1/6W-220Ω-J	R937
467-1C210-H03	CARBON RESISTOR 1/6W-1K-J	R481
467-1C130-H03	CARBON RESISTOR 1/6W-300Ω-J	R913
467-1C130-H03	CARBON RESISTOR 1/6W-300Ω-J	R923
467-1C130-H03	CARBON RESISTOR 1/6W-300Ω-J	R933
467-1C133-H03	CARBON RESISTOR 1/6W-330Ω-J	R916
467-1C133-H03	CARBON RESISTOR 1/6W-330Ω-J	R926
467-1C133-H03	CARBON RESISTOR 1/6W-330Ω-J	R936
467-1C139-H03	CARBON RESISTOR 1/6W-390Ω-J	R322
467-1C147-H03	CARBON RESISTOR 1/6W-470Ω-J	R308
467-1C168-H03	CARBON RESISTOR 1/6W-680Ω-J	R316
467-1C210-H03	CARBON RESISTOR 1/6W-1K-J	R128
467-1C210-H03	CARBON RESISTOR 1/6W-1K-J	R129
467-1C210-H03	CARBON RESISTOR 1/6W-1K-J	R369
467-1C210-H03	CARBON RESISTOR 1/6W-1K-J	R460
467-1C210-H03	CARBON RESISTOR 1/6W-1K-J	R464
467-1C210-H03	CARBON RESISTOR 1/6W-1K-J	R531
467-1C210-H03	CARBON RESISTOR 1/6W-1K-J	R541
467-1C210-H03	CARBON RESISTOR 1/6W-1K-J	R544
467-1C210-H03	CARBON RESISTOR 1/6W-1K-J	R701
467-1C210-H03	CARBON RESISTOR 1/6W-1K-J	R734
467-1C210-H03	CARBON RESISTOR 1/6W-1K-J	R802
467-1C210-H03	CARBON RESISTOR 1/6W-1K-J	R803
467-1C210-H03	CARBON RESISTOR 1/6W-1K-J	R816
467-1C210-H03	CARBON RESISTOR 1/6W-1K-J	R818
467-1C210-H03	CARBON RESISTOR 1/6W-1K-J	R825
467-1C210-H03	CARBON RESISTOR 1/6W-1K-J	R827
467-1C212-H03	CARBON RESISTOR 1/6W-1.2K-J	R305
467-1C212-H03	CARBON RESISTOR 1/6W-1.2K-J	R560
467-1C215-H03	CARBON RESISTOR 1/6W-1.5K-J	R397
467-1C215-H03	CARBON RESISTOR 1/6W-1.5K-J	R732
467-1C222-H03	CARBON RESISTOR 1/6W-2.2K-J	R371
467-1C222-H03	CARBON RESISTOR 1/6W-2.2K-J	R451
467-1C222-H03	CARBON RESISTOR 1/6W-2.2K-J	R540
467-1C224-H03	CARBON RESISTOR 1/6W-2.4K-J	R515
467-1C239-H03	CARBON RESISTOR 1/6W-3.9K-J	R321
467-1C233-H03	CARBON RESISTOR 1/6W-3.3K-J	R721
467-1C233-H03	CARBON RESISTOR 1/6W-3.3K-J	R722
467-1C233-H03	CARBON RESISTOR 1/6W-3.3K-J	R728
467-1C233-H03	CARBON RESISTOR 1/6W-3.3K-J	R735
467-1C233-H03	CARBON RESISTOR 1/6W-3.3K-J	R736
467-1C233-H03	CARBON RESISTOR 1/6W-3.3K-J	R737
467-1C233-H03	CARBON RESISTOR 1/6W-3.3K-J	R741
467-1C233-H03	CARBON RESISTOR 1/6W-3.3K-J	R742
467-1C247-H03	CARBON RESISTOR 1/6W-4.7K-J	R131
467-1C247-H03	CARBON RESISTOR 1/6W-4.7K-J	R133
467-1C247-H03	CARBON RESISTOR 1/6W-4.7K-J	R154
467-1C247-H03	CARBON RESISTOR 1/6W-4.7K-J	R158
467-1C247-H03	CARBON RESISTOR 1/6W-4.7K-J	R306
467-1C247-H03	CARBON RESISTOR 1/6W-4.7K-J	R462
467-1C247-H03	CARBON RESISTOR 1/6W-4.7K-J	R733
467-1C256-H03	CARBON RESISTOR 1/6W-5.6K-J	R370

467-1C268-H03	CARBON RESISTOR 1/6W-6.8K-J	R426
467-1C282-H03	CARBON RESISTOR 1/6W-8.2K-J	R153A
467-1C282-H03	CARBON RESISTOR 1/6W-8.2K-J	R157A
467-1C282-H03	CARBON RESISTOR 1/6W-8.2K-J	R562
467-1C310-H03	CARBON RESISTOR 1/6W-10K-J	R126
467-1C310-H03	CARBON RESISTOR 1/6W-10K-J	R127
467-1C310-H03	CARBON RESISTOR 1/6W-10K-J	R163
467-1C310-H03	CARBON RESISTOR 1/6W-10K-J	R395
467-1C310-H03	CARBON RESISTOR 1/6W-10K-J	R396
467-1C310-H03	CARBON RESISTOR 1/6W-10K-J	R427
467-1C310-H03	CARBON RESISTOR 1/6W-10K-J	R461
467-1C310-H03	CARBON RESISTOR 1/6W-10K-J	R543
467-1C310-H03	CARBON RESISTOR 1/6W-10K-J	R548
467-1C310-H03	CARBON RESISTOR 1/6W-10K-J	R551
467-1C310-H03	CARBON RESISTOR 1/6W-10K-J	R704
467-1C310-H03	CARBON RESISTOR 1/6W-10K-J	R705
467-1C310-H03	CARBON RESISTOR 1/6W-10K-J	R706
467-1C310-H03	CARBON RESISTOR 1/6W-10K-J	R707
467-1C310-H03	CARBON RESISTOR 1/6W-10K-J	R709
467-1C310-H03	CARBON RESISTOR 1/6W-10K-J	R816A
467-1C310-H03	CARBON RESISTOR 1/6W-10K-J	R818A
467-1C310-H03	CARBON RESISTOR 1/6W-10K-J	R825A
467-1C310-H03	CARBON RESISTOR 1/6W-10K-J	R827A
467-1C310-H03	CARBON RESISTOR 1/6W-10K-J	R851A
467-1C310-H03	CARBON RESISTOR 1/6W-10K-J	R852A
467-1C310-H03	CARBON RESISTOR 1/6W-10K-J	R912
467-1C310-H03	CARBON RESISTOR 1/6W-10K-J	R922
467-1C310-H03	CARBON RESISTOR 1/6W-10K-J	R932
467-1C312-H03	CARBON RESISTOR 1/6W-12K-J	R425
467-1C315-H03	CARBON RESISTOR 1/6W-15K-J	R331
467-1C322-H03	CARBON RESISTOR 1/6W-22K-J	R162
467-1C322-H03	CARBON RESISTOR 1/6W-22K-J	R384
467-1C322-H03	CARBON RESISTOR 1/6W-22K-J	R422
467-1C322-H03	CARBON RESISTOR 1/6W-22K-J	R455
467-1C327-H03	CARBON RESISTOR 1/6W-27K-J	R484
467-1C327-H03	CARBON RESISTOR 1/6W-27K-J	R487
467-1C333-H03	CARBON RESISTOR 1/6W-33K-J	R171
467-1C333-H03	CARBON RESISTOR 1/6W-33K-J	R175
467-1C333-H03	CARBON RESISTOR 1/6W-33K-J	R317
467-1C333-H03	CARBON RESISTOR 1/6W-33K-J	R385
467-1C333-H03	CARBON RESISTOR 1/6W-33K-J	R431
467-1C333-H03	CARBON RESISTOR 1/6W-33K-J	R434
467-1C347-H03	CARBON RESISTOR 1/6W-47K-J	R172
467-1C347-H03	CARBON RESISTOR 1/6W-47K-J	R732A
467-1C347-H03	CARBON RESISTOR 1/6W-47K-J	R745
467-1C356-H03	CARBON RESISTOR 1/6W-56K-J	R424
467-1C368-H03	CARBON RESISTOR 1/6W-68K-J	R173
467-1C410-H03	CARBON RESISTOR 1/6W-100K-J	R429
467-1C410-H03	CARBON RESISTOR 1/6W-100K-J	R483
467-1C410-H03	CARBON RESISTOR 1/6W-100K-J	R802A
467-1C410-H03	CARBON RESISTOR 1/6W-100K-J	R803A
467-1C415-H03	CARBON RESISTOR 1/6W-150K-J	R318
467-1C427-H03	CARBON RESISTOR 1/6W-270K-J	R174
467-1C456-H03	CARBON RESISTOR 1/6W-560K-J	R465

467-1DA27-H03	CARBON RESISTOR RT14-1/4W-2.7Ω-J	R468
467-1D001-H03	CARBON RESISTOR RT14-1/4W-1Ω-J	R404
467-1D027-H03	CARBON RESISTOR RT14-1/4W-27Ω-J	R561
467-1D110-H03	CARBON RESISTOR RT14-1/4W-100Ω-J	R486
467-1D222-H03	CARBON RESISTOR RT14-1/4W-2.2K-J	R161
467-1D310-H03	CARBON RESISTOR RT14-1/4W-10K-J	R485
467-1D351-H03	CARBON RESISTOR RT14-1/4M-51K-J	R539
467-1D351-H03	CARBON RESISTOR RT14-1/4M-51K-J	R539A
998	JUMPER WIRE	W930
467-1C310-H03	CARBON RESISTOR 1/6W-10K-J	R380
471-2010K-003	PEAKING COIL SPT0305-100K-5	L331
471-2010K-003	PEAKING COIL SPT0305-100K-5	L361
471-2010K-003	PEAKING COIL SPT0305-100K-5	L751
471-2010K-003	PEAKING COIL SPT0305-100K-5	L752
471-2010K-003	PEAKING COIL SPT0305-100K-5	L753
998	JUMPER WIRE	W011
998	JUMPER WIRE	W265
998	JUMPER WIRE	W266
998	JUMPER WIRE	W391
998	JUMPER WIRE	W486
998	JUMPER WIRE	W791
998	JUMPER WIRE	W901
998	JUMPER WIRE	W852
998	JUMPER WIRE	W851A
998	JUMPER WIRE	W582
998	JUMPER WIRE	W684
998	JUMPER WIRE	W021
998	JUMPER WIRE	W051
998	JUMPER WIRE	W122
998	JUMPER WIRE	W131
998	JUMPER WIRE	W168
998	JUMPER WIRE	W264
998	JUMPER WIRE	W311
998	JUMPER WIRE	W356
998	JUMPER WIRE	W368
998	JUMPER WIRE	W373
998	JUMPER WIRE	W381
998	JUMPER WIRE	W385
998	JUMPER WIRE	W442
998	JUMPER WIRE	W443
998	JUMPER WIRE	W466
998	JUMPER WIRE	W467
998	JUMPER WIRE	W471
998	JUMPER WIRE	W493
998	JUMPER WIRE	W531
998	JUMPER WIRE	W532
998	JUMPER WIRE	W554
998	JUMPER WIRE	W555
998	JUMPER WIRE	W562
998	JUMPER WIRE	W563
998	JUMPER WIRE	W564
998	JUMPER WIRE	W581
998	JUMPER WIRE	W652
998	JUMPER WIRE	W721

998	JUMPER WIRE	W763
998	JUMPER WIRE	W764
998	JUMPER WIRE	W771
998	JUMPER WIRE	W773
998	JUMPER WIRE	W774
998	JUMPER WIRE	W841
998	JUMPER WIRE	W862
998	JUMPER WIRE	W863
998	JUMPER WIRE	W881
998	JUMPER WIRE	W843
998	JUMPER WIRE	W844
998	JUMPER WIRE	W231
998	JUMPER WIRE	W243
998	JUMPER WIRE	W358
998	JUMPER WIRE	W762
998	JUMPER WIRE	W875
998	JUMPER WIRE	W876
998	JUMPER WIRE	W401
998	JUMPER WIRE	W786
998	JUMPER WIRE	W675
998	JUMPER WIRE	W242
998	JUMPER WIRE	W552
998	JUMPER WIRE	W553
998	JUMPER WIRE	W662
998	JUMPER WIRE	W663
998	JUMPER WIRE	W244
998	JUMPER WIRE	W245
998	JUMPER WIRE	W148
998	JUMPER WIRE	W152
998	JUMPER WIRE	W154
998	JUMPER WIRE	W166
998	JUMPER WIRE	W171
998	JUMPER WIRE	W241
998	JUMPER WIRE	W263
998	JUMPER WIRE	W421
998	JUMPER WIRE	W435
998	JUMPER WIRE	W472
998	JUMPER WIRE	W342
998	JUMPER WIRE	W484
998	JUMPER WIRE	W485
998	JUMPER WIRE	W643
998	JUMPER WIRE	W653
998	JUMPER WIRE	W655
998	JUMPER WIRE	W741
998	JUMPER WIRE	W921
998	JUMPER WIRE	W922
998	JUMPER WIRE	W650
998	JUMPER WIRE	W900
998	JUMPER WIRE	W341
998	JUMPER WIRE	W752
998	JUMPER WIRE	W420
998	JUMPER WIRE	W651
998	JUMPER WIRE	W213
998	JUMPER WIRE	W214

998	JUMPER WIRE	W313
998	JUMPER WIRE	W312
998	JUMPER WIRE	W411A
998	JUMPER WIRE	W153
998	JUMPER WIRE	W251
998	JUMPER WIRE	W159
998	JUMPER WIRE	W571
998	JUMPER WIRE	W432
998	JUMPER WIRE	W454
998	JUMPER WIRE	W551
998	JUMPER WIRE	W665
998	JUMPER WIRE	W621
998	JUMPER WIRE	W674
998	JUMPER WIRE	W681
998	JUMPER WIRE	W682
998	JUMPER WIRE	W673
998	JUMPER WIRE	W731
998	JUMPER WIRE	W873
998	JUMPER WIRE	W872
998	JUMPER WIRE	W781
998	JUMPER WIRE	W142
998	JUMPER WIRE	W253
998	JUMPER WIRE	W162
998	JUMPER WIRE	W355
998	JUMPER WIRE	W451
998	JUMPER WIRE	W331
998	JUMPER WIRE	W163
998	JUMPER WIRE	W164
998	JUMPER WIRE	W369
998	JUMPER WIRE	W412
998	JUMPER WIRE	W434
998	JUMPER WIRE	W452
998	JUMPER WIRE	W453
998	JUMPER WIRE	W463
998	JUMPER WIRE	W464
998	JUMPER WIRE	W465
998	JUMPER WIRE	W641
998	JUMPER WIRE	W642
998	JUMPER WIRE	W644
998	JUMPER WIRE	W656
998	JUMPER WIRE	W672
998	JUMPER WIRE	W840
998	JUMPER WIRE	R520
998	JUMPER WIRE	W221
998	JUMPER WIRE	W362
998	JUMPER WIRE	W363
998	JUMPER WIRE	W364
998	JUMPER WIRE	W365
998	JUMPER WIRE	W366
998	JUMPER WIRE	W367
998	JUMPER WIRE	W461
998	JUMPER WIRE	W462
998	JUMPER WIRE	W671
998	JUMPER WIRE	W761

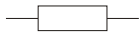

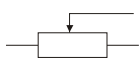
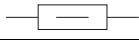
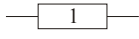
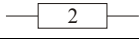
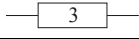
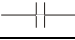
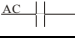
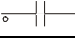
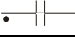
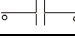


998	JUMPER WIRE	W156
998	JUMPER WIRE	W561
998	JUMPER WIRE	W661
998	JUMPER WIRE	W664
998	JUMPER WIRE	W494
998	JUMPER WIRE	L401
998	JUMPER WIRE	W903
998	JUMPER WIRE	W904
340-00001-003	DIODE 1N4148	VD491
467-1C322-H03	CARBON RESISTOR 1/6W-22K-J	R482
467-1C315-H03	CARBON RESISTOR 1/6W-15K-J	R491
467-1C315-H03	CARBON RESISTOR 1/6W-15K-J	R453A
464-60547-M02	ELECTROLYTIC CAPACITOR CD110-50V-4.7uF-M	C481
464-60510-M02	ELECTROLYTIC CAPACITOR CD110-50V-1uF-M	C841
895-6016030-50	RIVET GB876-86 1.6X3 COPPER	L501
895-6016030-50	RIVET GB876-86 1.6X3 COPPER	PS501
895-6016030-50	RIVET GB876-86 1.6X3 COPPER	T501
895-6016030-50	RIVET GB876-86 1.6X3 COPPER	T451
895-6016030-50	RIVET GB876-86 1.6X3 COPPER	L452
895-6016030-50	RIVET GB876-86 1.6X3 COPPER	
895-6025030-50	RIVET GB876-86-2.5X3 COPPER	C507
895-6025030-50	RIVET GB876-86-2.5X3 COPPER	VD451
895-6025030-50	RIVET GB876-86-2.5X3 COPPER	VD452
895-6025030-50	RIVET GB876-86-2.5X3 COPPER	V451
895-6025030-50	RIVET GB876-86-2.5X3 COPPER	V432
895-6025030-50	RIVET GB876-86-2.5X3 COPPER	
459-2310R-002	CERAMIC CAPACITOR CK45-F1H103ZXR	C399
467-1D227-H03	CARBON RESISTOR RT14-1/4W-2.7K-J	R512
467-1C318-H03	CARBON RESISTOR 1/6W-18K-J	R804
467-1C347-H03	CARBON RESISTOR 1/6W-47K-J	R807
467-1C118-H03	CARBON RESISTOR 1/6W-180Ω-J	R805
467-1C110-H03	CARBON RESISTOR 1/6W-100Ω-J	R354
895-6016030-50	RIVET GB876-86 1.6X3 COPPER	C467
895-6016030-50	RIVET GB876-86 1.6X3 COPPER	
998	JUMPER WIRE	W882
998	JUMPER WIRE	W883
998	JUMPER WIRE	W884
998	JUMPER WIRE	R737A
998	JUMPER WIRE	W122A
667-TK2950-05	KEY BOARD ASS'Y	
340-10097-60	LED HFB90101M	VD902
352-03810-80	*IC AT138B-T12 废	RC901
360-10001-00	TACT SWITCH KFC-A06-4X4.5X5B	S901
360-10001-00	TACT SWITCH KFC-A06-4X4.5X5B	S902
360-10001-00	TACT SWITCH KFC-A06-4X4.5X5B	S903
360-10001-00	TACT SWITCH KFC-A06-4X4.5X5B	S904
360-10001-00	TACT SWITCH KFC-A06-4X4.5X5B	S905
360-10001-00	TACT SWITCH KFC-A06-4X4.5X5B	S906
782-TK3451-0500	BUTTON PCB	
467-1C215-H0	CARBON RESISTOR 1/6W-1.5K-J	R901
467-1C218-H0	CARBON RESISTOR 1/6W-1.8K-J	R902
467-1C230-H0	CARBON RESISTOR 1/6W-3K-J	R903

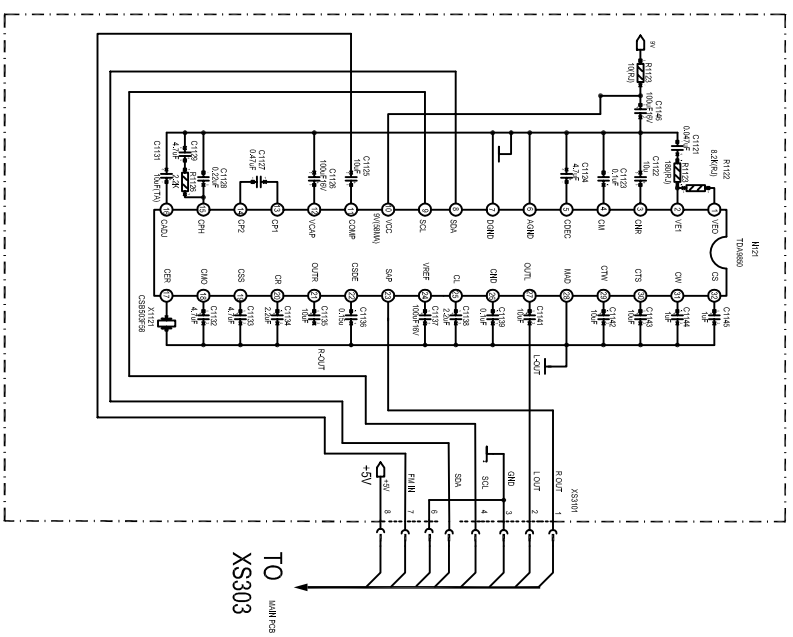
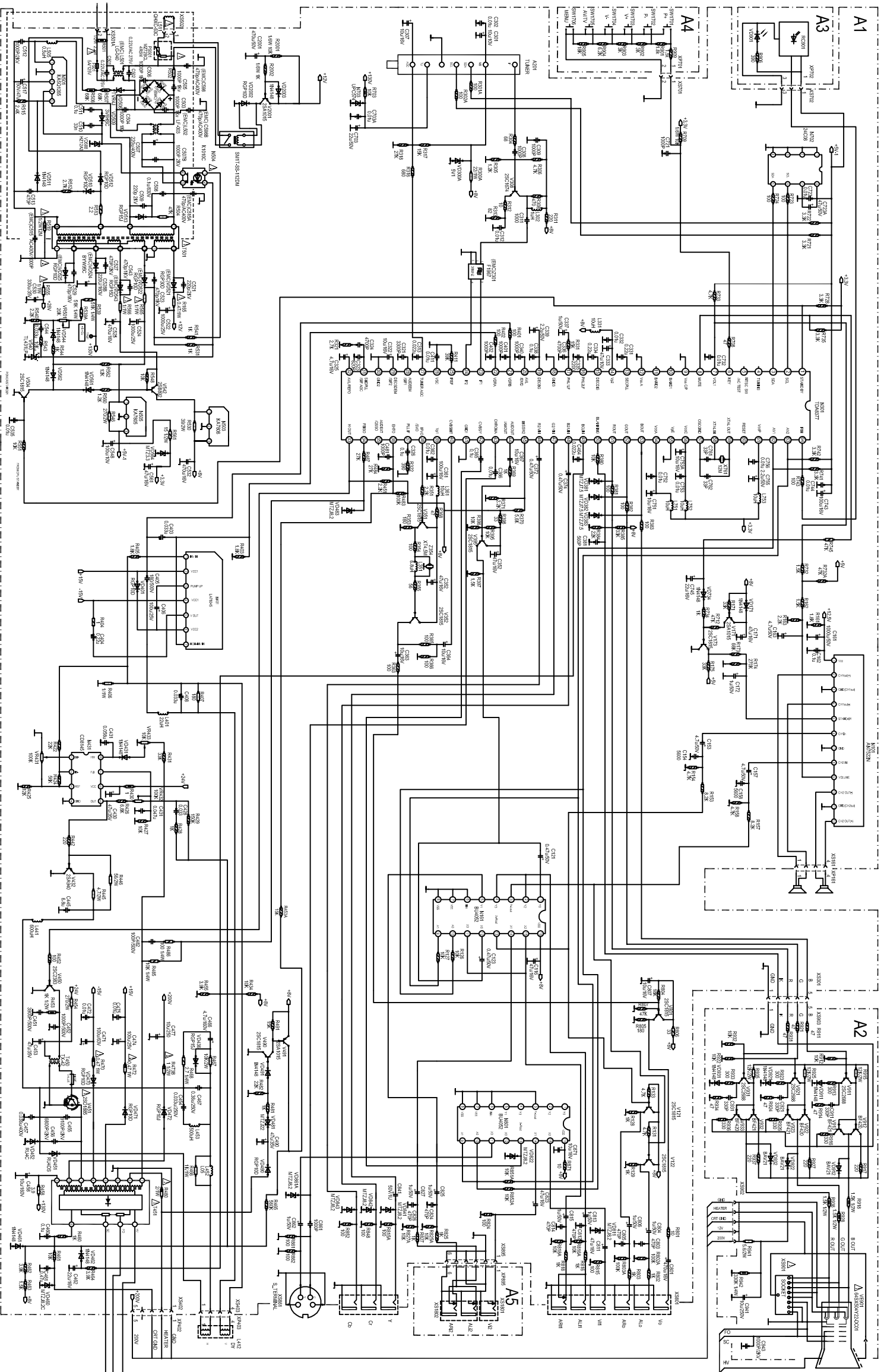
467-1C230-H0	CARBON RESISTOR 1/6W-3K-J	R904
467-1C262-H0	CARBON RESISTOR 1/6W-6.2K-J	R905
467-1C318-H0	CARBON RESISTOR 1/6W-18K-J	R906
364-32101-00	2-PINS CONNECTORS TJC3-02A	X902
655-41201-181	(4-PINS) LEAD WITH HOUSING	X901
998	JUMPER WIRE	R908
467-1C139-H0	CARBON RESISTOR 1/6W-390Ω-J	R907
851-23012-31	SCREW SJ2824 ST3X12FT-D.Zn	
877-50409-00	KEY	
877-60530-01	BUTTON COVER (PLATE)	
877-60531-00	BUTTON COVER	
667-TK2950-29	SIDE AV BOARD ASS'Y	
364-93202-00	AV JACK AV306-2	XAA1
655-6E301-23	(6-PINS) LEAD WITH HOUSING	XAA3
782-Q2751-290A	SIDE AV PCB	
998	JUMPER WIRE	JAA1
998	JUMPER WIRE	LAA2
998	JUMPER WIRE	LAA1
870-2D839-042	SIDE AV BRACKET (MOLD GREY SILK-SCREEN	
851-23012-11	SCREW SJ2824 ST3X12C-DZn	
868-10089-00	CUSHION	
667-TK2950-17	RELAY BOARD ASS'Y	
340-00001-00	DIODE 1N4148	VD2003
467-1C310-H0	CARBON RESISTOR 1/6W-10K-J	R2001
467-1C247-H0	CARBON RESISTOR 1/6W-4.7K-J	R2002
464-6F710-M0	ELECTROLYTIC CAPACITOR CD110-35V-100μF-M	C2002
667-Q32161-05	Stand By KEY BOARD ASS'Y	
360-10001-00	TACT SWITCH KFC-A06-4X4.5X5B	S1
782-13Y90-050A	BUTTON PCB	
665-21201-96	(2 -PINS) LEAD WITH HOUSING	X1

SCHEMATIC DIAGRAM

CAUTION: all the parts in the schematic diagram marked with shadows and the signs of \triangle are extremely important for safety. In case of replacement of any part of components. Be sure to consult the service manual carefully.

1. the schematic diagram is characteristic. The various values in the electric circuits are basic data, which are changeable according to the various basic circuits.
2. testing waves are obtained by inputting the standard color bar of the signed.
3. resistance unit is in Ohm, namely: K=1000; M=1000K; Capacitance unit is in μF ; P= $\mu\mu\text{F}$ ($\mu=10^{-6}$)
4. Unless otherwise noted inside, all resistors are 1/6W, the withstand voltage of all capacitors are 50V.
5. Inductance unit is in μH .
6. The mark $\text{—}\square\text{—}$ in the diagram means Ferrite ring
7. The symbols of various types of resistors and capacitors are listed as follows:

Carbon film resistor	
Metal film resistor	
Potentiometer resistor	
1/2w resistor	
1w resistor	
2w resistor	
3w resistor	
Ceramic capacitor	
AC Ceramic capacitor	
Terylene capacitor	
Polypropylene capacitor	
Metal Terylene capacitor	
Aluminium electrolyse capacitor	
Tantalum electrolyse capacitor	



TO
XS303