

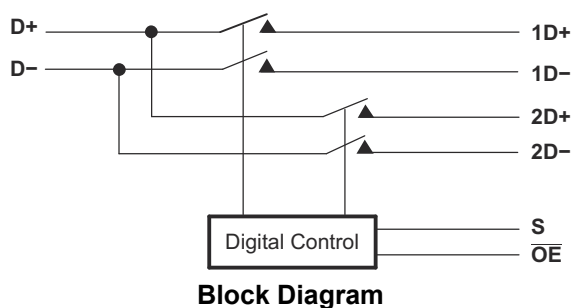
# TS3USB221E High-Speed USB 2.0 (480Mbps) 1:2 Multiplexer – Demultiplexer Switch With Single Enable and IEC Level 3 ESD Protection

## 1 Features

- $V_{CC}$  operation of 2.3V to 3.6V
- Switch I/Os accept signals up to 5.5V
- 1.8V compatible control-pin inputs
- Low-power mode when  $\overline{OE}$  is disabled ( $1\mu A$ )
- $r_{ON} = 6\Omega$  maximum
- $\Delta r_{ON} = 0.2\Omega$  typical
- $C_{IO(ON)} = 7\text{pf}$  maximum
- Low power consumption ( $30\mu A$  maximum)
- ESD performance tested:
  - 7000V human body model per JEDEC JS-001
  - 1000V charged-device model per JEDEC JS-002
- ESD performance I/O port to GND:
  - 12kV human body model (JEDEC JS-001)
  - $\pm 7\text{kV}$  contact discharge (IEC 61000-4-2)
- High bandwidth (1GHz typical)

## 2 Applications

- Routes signals for USB 1.0, 1.1, and 2.0
- Mobile phones
- Digital cameras
- Notebooks
- USB I/O expansion
- MHL 1.0



## 3 Description

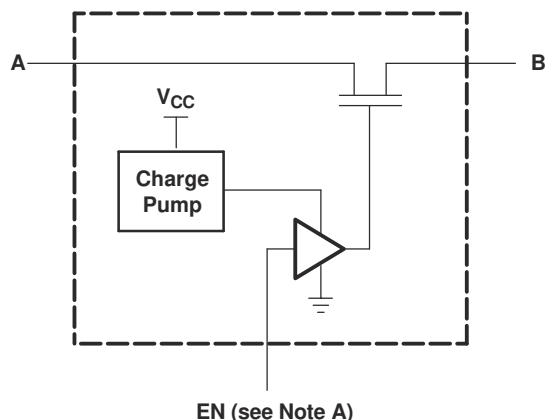
The TS3USB221E is a high-bandwidth switch specially designed for the switching of high-speed USB 2.0 signals in handset and consumer applications, such as cell phones, digital cameras, and notebooks with hubs or controllers with limited USB I/Os. The wide bandwidth (1GHz) of this switch allows signals to pass with minimum edge and phase distortion. The device multiplexes differential outputs from a USB host device to one of two corresponding outputs. The switch is bidirectional and offers little or no attenuation of the high-speed signals at the outputs. The TS3USB221E is designed for low bit-to-bit skew and high channel-to-channel noise isolation, and is compatible with various standards, such as high-speed USB 2.0 (480Mbps).

The TS3USB221E integrates ESD protection cells on all pins, is available in a SON package ( $3\text{mm} \times 3\text{mm}$ ) as well as in a tiny  $\mu\text{QFN}$  package ( $2\text{mm} \times 1.5\text{mm}$ ) and is characterized over the free-air temperature range from  $-40^\circ\text{C}$  to  $85^\circ\text{C}$ .

### Package Information

PART NUMBER	PACKAGE <sup>(1)</sup>	PACKAGE SIZE <sup>(2)</sup>
TS3USB221E	DRC (VSON, 10)	$3\text{mm} \times 3\text{mm}$
	RSE (UQFN, 10)	$2\text{mm} \times 1.5\text{mm}$

- (1) For all available packages, see the orderable addendum at the end of the data sheet.
- (2) The package size (length  $\times$  width) is a nominal value and includes pins, where applicable.



- A. EN is the internal enable signal applied to the switch.



## Table of Contents

<b>1 Features</b> .....	1	6.2 Functional Block Diagram.....	12
<b>2 Applications</b> .....	1	6.3 Feature Description.....	12
<b>3 Description</b> .....	1	6.4 Device Functional Modes.....	12
<b>4 Pin Configuration and Functions</b> .....	3	<b>7 Application and Implementation</b> .....	13
<b>5 Specifications</b> .....	4	7.1 Application Information.....	13
5.1 Absolute Maximum Ratings.....	4	7.2 Typical Application.....	13
5.2 ESD Ratings.....	4	7.3 Power Supply Recommendations.....	14
5.3 Recommended Operating Conditions.....	4	7.4 Layout.....	14
5.4 Thermal Information.....	5	<b>8 Device and Documentation Support</b> .....	16
5.5 Electrical Characteristics.....	5	8.1 Documentation Support.....	16
5.6 Dynamic Electrical Characteristics, $V_{CC} = 3.3\text{ V}$ $\pm 10\%$ .....	6	8.2 Receiving Notification of Documentation Updates....	16
5.7 Dynamic Electrical Characteristics, $V_{CC} = 2.5\text{ V}$ $\pm 10\%$ .....	6	8.3 Support Resources.....	16
5.8 Switching Characteristics, $V_{CC} = 3.3\text{ V} \pm 10\%$ .....	6	8.4 Trademarks.....	16
5.9 Switching Characteristics, $V_{CC} = 2.5\text{ V} \pm 10\%$ .....	6	8.5 Electrostatic Discharge Caution.....	16
5.10 Typical Characteristics.....	7	8.6 Glossary.....	16
<b>6 Detailed Description</b> .....	12	<b>9 Revision History</b> .....	16
6.1 Overview.....	12	<b>10 Mechanical, Packaging, and Orderable Information</b> .....	17

## 4 Pin Configuration and Functions

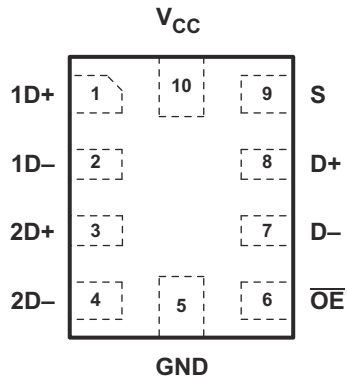


Figure 4-1. RSE Package, 10-Pin UQFN (Top View)

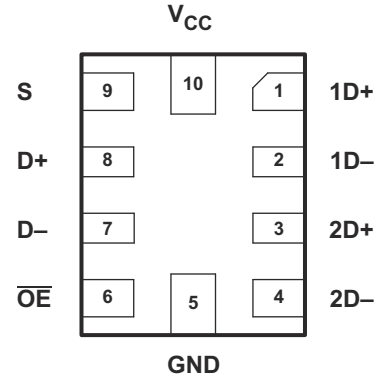


Figure 4-2. RSE Package, 10-Pin UQFN (Bottom View)

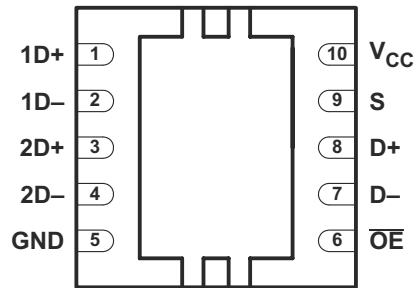


Figure 4-3. DRC Package, 10-Pin VSON (Top View)

Table 4-1. Pin Functions

PIN		TYPE <sup>(1)</sup>	DESCRIPTION
NAME	NO.		
1D+	1	I/O	USB port 1
1D-	2	I/O	
2D+	3	I/O	
2D-	4	I/O	
GND	5	—	Ground
$\overline{\text{OE}}$	6	I	Bus-switch enable
D-	7	I/O	Common USB port
D+	8	I/O	
S	9	I	Select input
V <sub>CC</sub>	10	—	Supply voltage

(1) I = input, O = output

## 5 Specifications

### 5.1 Absolute Maximum Ratings

over operating free-air temperature range (unless otherwise noted)<sup>(1)</sup>

		MIN	MAX	UNIT
V <sub>CC</sub>	Supply voltage	-0.5	4.6	V
V <sub>IN</sub>	Control input voltage <sup>(2) (3) (4)</sup>	-0.5	7	V
V <sub>I/O</sub>	Switch I/O voltage <sup>(2) (3) (4)</sup>	-0.5	7	V
I <sub>IK</sub>	Control input clamp current	V <sub>IN</sub> < 0	-50	mA
I <sub>I/OK</sub>	I/O port clamp current	V <sub>I/O</sub> < 0	-50	mA
I <sub>I/O</sub>	ON-state switch current <sup>(5)</sup>		±120	mA
	Continuous current through V <sub>CC</sub> or GND		±100	mA
θ <sub>JA</sub>	Package thermal impedance <sup>(6)</sup>	DRC package	48.7	°C/W
		RSE package	243	
T <sub>stg</sub>	Storage temperature	-65	150	°C

- (1) Stresses beyond those listed under *Absolute Maximum Ratings* may cause permanent damage to the device. These are stress ratings only, and functional operation of the device at these or any other conditions beyond those indicated under *Recommended Operating Conditions* is not implied. Exposure to absolute-maximum-rated conditions for extended periods may affect device reliability.
- (2) All voltages are with respect to ground, unless otherwise specified.
- (3) The input and output voltage ratings may be exceeded if the input and output clamp-current ratings are observed.
- (4) V<sub>I</sub> and V<sub>O</sub> are used to denote specific conditions for V<sub>I/O</sub>.
- (5) I<sub>I</sub> and I<sub>O</sub> are used to denote specific conditions for I<sub>I/O</sub>.
- (6) The package thermal impedance is calculated in accordance with JESD 51-7.

### 5.2 ESD Ratings

		VALUE	UNIT
V <sub>(ESD)</sub>	Electrostatic discharge	Human-body model (HBM), per ANSI/ESDA/JEDEC JS-001 <sup>(1)</sup>	I/O pins to GND ±12000
			Pins GND, $\overline{OE}$ , S and V <sub>CC</sub> ±7000
		Contact discharge (IEC 61000-4-2)	I/O pins to GND ±7000
		Charged-device model (CDM), per JEDEC specification JESD-002 <sup>(2)</sup>	±1000

- (1) JEDEC document JEP155 states that 500-V HBM allows safe manufacturing with a standard ESD control process.
- (2) JEDEC document JEP157 states that 250-V CDM allows safe manufacturing with a standard ESD control process.

### 5.3 Recommended Operating Conditions

See <sup>(1)</sup>.

		MIN	MAX	UNIT
V <sub>CC</sub>	Supply voltage	2.3	3.6	V
V <sub>IH</sub>	High-level control input voltages	V <sub>CC</sub> = 2.3 V to 2.7 V	0.46 × V <sub>CC</sub>	V
		V <sub>CC</sub> = 2.7 V to 3.6 V	0.46 × V <sub>CC</sub>	
V <sub>IL</sub>	Low-level control input voltage	V <sub>CC</sub> = 2.3 V to 2.7 V	0.25 × V <sub>CC</sub>	V
		V <sub>CC</sub> = 2.7 V to 3.6 V	0.25 × V <sub>CC</sub>	
V <sub>I/O</sub>	Data input/output voltage <sup>(2)</sup>	0	5.5	V
T <sub>A</sub>	Operating free-air temperature	-40	85	°C

- (1) All unused control inputs of the device must be held at V<sub>CC</sub> or GND to ensure proper device operation. Refer to the [Implications of Slow or Floating CMOS Inputs](#) application note.
- (2) The I/O pins are 5.5V tolerant and functional for the entire range. However, for V<sub>I/O</sub> > 3.6V, channel R<sub>ON</sub> will be high. Use 3.3V power supply for best results.

## 5.4 Thermal Information

THERMAL METRIC <sup>(1)</sup>		TS3USB221E		UNIT
		DRC (VSON)	RSE (UQFN)	
		10 PINS	10 PINS	
R <sub>θJA</sub>	Junction-to-ambient thermal resistance	57.7	204.8	°C/W
R <sub>θJC(top)</sub>	Junction-to-case (top) thermal resistance	87.7	118.1	
R <sub>θJB</sub>	Junction-to-board thermal resistance	32.6	121.5	
ψ <sub>JT</sub>	Junction-to-top characterization parameter	8.2	13.9	
ψ <sub>JB</sub>	Junction-to-board characterization parameter	32.8	121.2	
R <sub>θJC(bot)</sub>	Junction-to-case (bottom) thermal resistance	18.5	N/A	

(1) For more information about traditional and new thermal metrics, see the [IC Package Thermal Metrics](#) application note.

## 5.5 Electrical Characteristics

over operating free-air temperature range (unless otherwise noted)<sup>(1)</sup>

PARAMETER	TEST CONDITIONS		MIN	TYP <sup>(2)</sup>	MAX	UNIT
V <sub>IK</sub>	V <sub>CC</sub> = 3.6 V, 2.7 V,	I <sub>I</sub> = -18 mA	-1.8			V
I <sub>IN</sub>	Control inputs	V <sub>CC</sub> = 3.6 V, 2.7 V, 0 V, V <sub>IN</sub> = 0 V to 3.6 V			±1	μA
I <sub>OZ</sub> <sup>(3)</sup>	V <sub>CC</sub> = 3.6 V, 2.7 V, V <sub>O</sub> = 0 V to 5.25 V, V <sub>I</sub> = 0 V,	V <sub>IN</sub> = V <sub>CC</sub> or GND, Switch OFF			±1	μA
I <sub>OFF</sub>	V <sub>CC</sub> = 0 V	V <sub>I/O</sub> = 0 V to 5.25 V			±2	μA
		V <sub>I/O</sub> = 0 V to 3.6 V			±2	
		V <sub>I/O</sub> = 0 V to 2.7 V			±1	
I <sub>CC</sub>	V <sub>CC</sub> = 3.6 V, 2.7 V, V <sub>IN</sub> = V <sub>CC</sub> or GND,	I <sub>I/O</sub> = 0 V, Switch ON or OFF			30	μA
I <sub>CC</sub> (low power mode)	V <sub>CC</sub> = 3.6 V, 2.7 V, V <sub>IN</sub> = V <sub>CC</sub> or GND	Switch disabled (OE in high state)			1	μA
I <sub>CC</sub> <sup>(4)</sup>	Control inputs	One input at 1.8 V, Other inputs at V <sub>CC</sub> or GND	V <sub>CC</sub> = 3.6 V		20	μA
			V <sub>CC</sub> = 2.7 V		0.5	
C <sub>in</sub>	Control inputs	V <sub>CC</sub> = 3.3 V, 2.5 V, V <sub>IN</sub> = 3.3 V or 0 V		1.5	2.5	pF
C <sub>io(OFF)</sub>		V <sub>CC</sub> = 3.3 V, 2.5 V, V <sub>I/O</sub> = 3.3 V or 0 V, Switch OFF		3.5	5	pF
C <sub>io(ON)</sub>		V <sub>CC</sub> = 3.3 V, 2.5 V, V <sub>I/O</sub> = 3.3 V or 0 V, Switch ON		6	7.5	pF
r <sub>ON</sub> <sup>(5)</sup>		V <sub>I</sub> = 0 V, I <sub>O</sub> = 30 mA		3	6	Ω
		V <sub>I</sub> = 2.4 V, I <sub>O</sub> = -15 mA		3.4	6	
Δr <sub>ON</sub>		V <sub>I</sub> = 0 V, I <sub>O</sub> = 30 mA		0.2		Ω
		V <sub>I</sub> = 1.7, I <sub>O</sub> = -15 mA		0.2		
r <sub>ON(flat)</sub>		V <sub>I</sub> = 0 V, I <sub>O</sub> = 30 mA		1		Ω
		V <sub>I</sub> = 1.7, I <sub>O</sub> = -15 mA		1		

(1) V<sub>IN</sub> and I<sub>IN</sub> refer to control inputs. V<sub>I</sub>, V<sub>O</sub>, I<sub>I</sub>, and I<sub>O</sub> refer to data pins.

(2) All typical values are at V<sub>CC</sub> = 3.3 V (unless otherwise noted), T<sub>A</sub> = 25°C.

(3) For I/O ports, the parameter I<sub>OZ</sub> includes the input leakage current.

(4) This is the increase in supply current for each input that is at the specified TTL voltage level, rather than V<sub>CC</sub> or GND.

(5) Measured by the voltage drop between the A and B terminals at the indicated current through the switch. ON-state resistance is determined by the lower of the voltages of the two (A or B) terminals.

## 5.6 Dynamic Electrical Characteristics, $V_{CC} = 3.3\text{ V} \pm 10\%$

 over operating range,  $T_A = -40^\circ\text{C}$  to  $85^\circ\text{C}$ ,  $V_{CC} = 3.3\text{ V} \pm 10\%$ ,  $GND = 0\text{ V}$ 

PARAMETER		TEST CONDITIONS	TYP <sup>(1)</sup>	UNIT
$X_{TALK}$	Crosstalk	$R_L = 50$ , $f = 250\text{ MHz}$	-40	dB
$O_{IRR}$	OFF isolation	$R_L = 50$ , $f = 250\text{ MHz}$	-40	dB
BW	Bandwidth (-3 dB)	$R_L = 50$	1	GHz

- (1) For Maximum or Minimum conditions, use the appropriate value specified under [Electrical Characteristics](#) for the applicable device type.

## 5.7 Dynamic Electrical Characteristics, $V_{CC} = 2.5\text{ V} \pm 10\%$

 over operating range,  $T_A = -40^\circ\text{C}$  to  $85^\circ\text{C}$ ,  $V_{CC} = 2.5\text{ V} \pm 10\%$ ,  $GND = 0\text{ V}$ 

PARAMETER		TEST CONDITIONS	TYP <sup>(1)</sup>	UNIT
$X_{TALK}$	Crosstalk	$R_L = 50$ , $f = 250\text{ MHz}$	-39	dB
$O_{IRR}$	OFF isolation	$R_L = 50$ , $f = 250\text{ MHz}$	-40	dB
BW	Bandwidth (3 dB)	$R_L = 50$	1	GHz

- (1) For Maximum or Minimum conditions, use the appropriate value specified under [Electrical Characteristics](#) for the applicable device type.

## 5.8 Switching Characteristics, $V_{CC} = 3.3\text{ V} \pm 10\%$

 over operating range,  $T_A = -40^\circ\text{C}$  to  $85^\circ\text{C}$ ,  $V_{CC} = 3.3\text{ V} \pm 10\%$ ,  $GND = 0\text{ V}$ 

PARAMETER		MIN	TYP <sup>(1)</sup>	MAX	UNIT
$t_{pd}$	Propagation delay <sup>(2) (3)</sup>		0.25		ns
$t_{ON}$	Line enable time	S to D, nD		30	ns
		$\overline{OE}$ to D, nD		17	
$t_{OFF}$	Line disable time	S to D, nD		12	ns
		$\overline{OE}$ to D, nD		10	
$t_{SK(O)}$	Output skew between center port to any other port <sup>(2)</sup>		0.1	0.2	ns
$t_{SK(P)}$	Skew between opposite transitions of the same output ( $t_{PHL} - t_{PLH}$ ) <sup>(2)</sup>		0.1	0.2	ns

- (1) For Maximum or Minimum conditions, use the appropriate value specified under [Electrical Characteristics](#) for the applicable device type.
- (2) Specified by design
- (3) The bus switch contributes no propagation delay other than the RC delay of the on resistance of the switch and the load capacitance. The time constant for the switch alone is of the order of 0.25 ns for 10-pF load. Because this time constant is much smaller than the rise/fall times of typical driving signals, it adds very little propagation delay to the system. Propagation delay of the bus switch, when used in a system, is determined by the driving circuit on the driving side of the switch and its interactions with the load on the driven side.

## 5.9 Switching Characteristics, $V_{CC} = 2.5\text{ V} \pm 10\%$

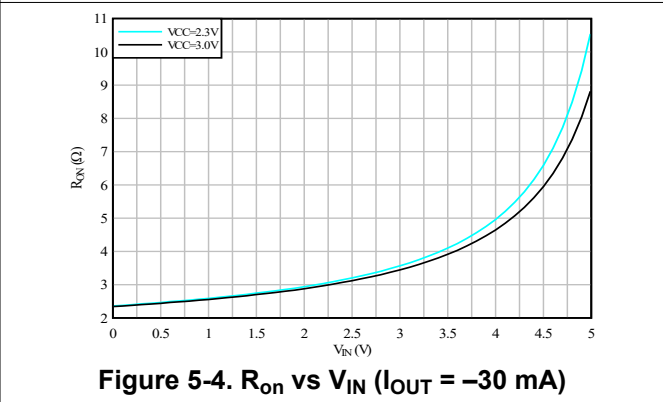
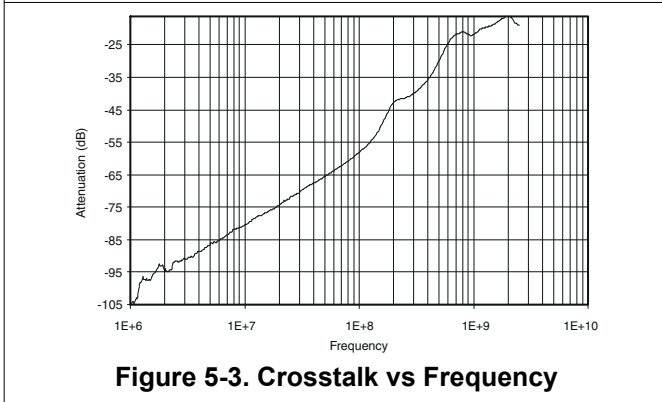
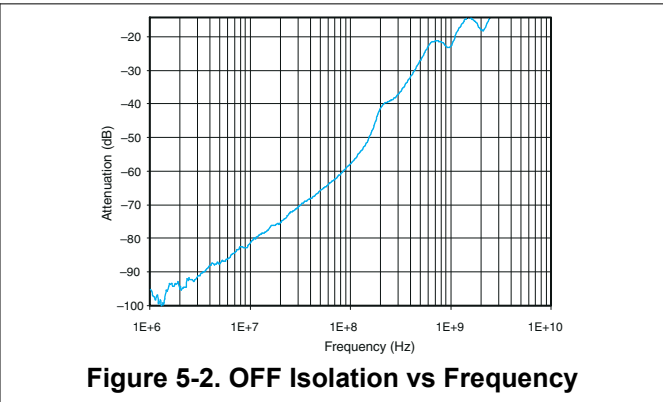
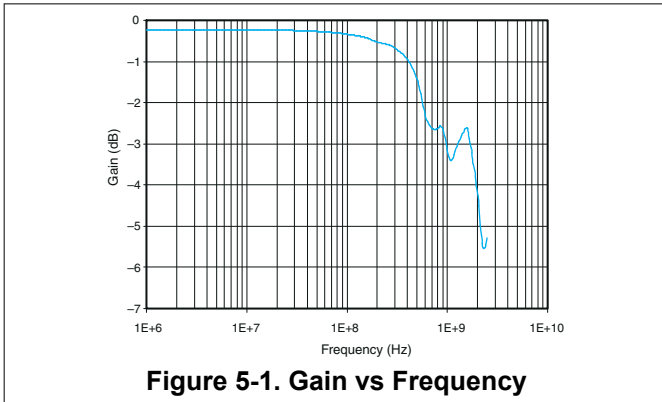
 over operating range,  $T_A = -40^\circ\text{C}$  to  $85^\circ\text{C}$ ,  $V_{CC} = 2.5\text{ V} \pm 10\%$ ,  $GND = 0\text{ V}$ 

PARAMETER		MIN	TYP <sup>(1)</sup>	MAX	UNIT
$t_{pd}$	Propagation delay <sup>(2) (3)</sup>		0.25		ns
$t_{ON}$	Line enable time	S to D, nD		50	ns
		$\overline{OE}$ to D, nD		32	
$t_{OFF}$	Line disable time	S to D, nD		23	ns
		$\overline{OE}$ to D, nD		12	
$t_{SK(O)}$	Output skew between center port to any other port <sup>(2)</sup>		0.1	0.2	ns
$t_{SK(P)}$	Skew between opposite transitions of the same output ( $t_{PHL} - t_{PLH}$ ) <sup>(2)</sup>		0.1	0.2	ns

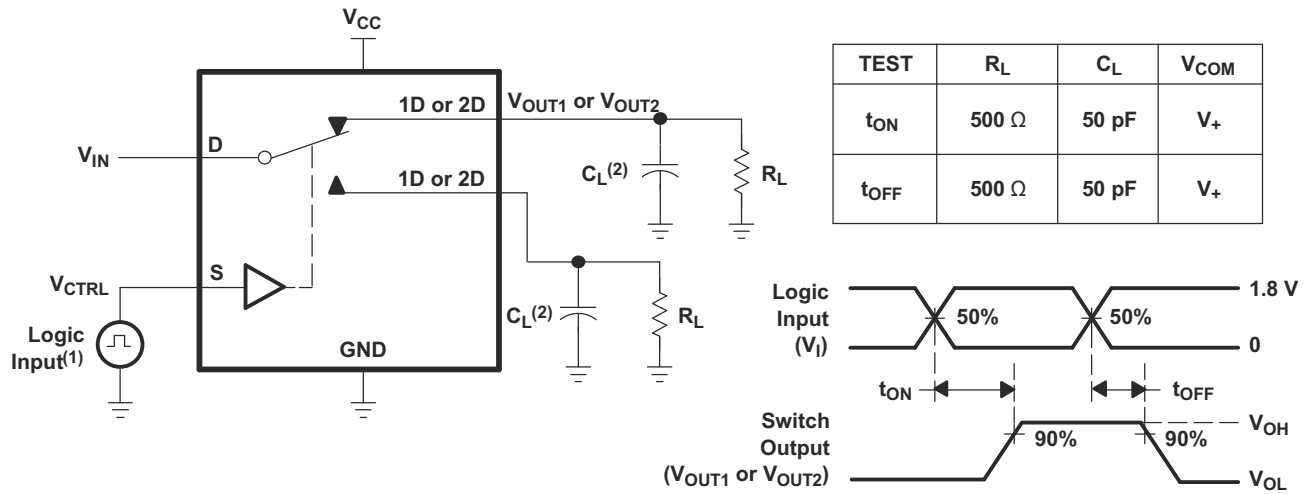
- (1) For Maximum or Minimum conditions, use the appropriate value specified under [Electrical Characteristics](#) for the applicable device type.
- (2) Specified by design

- (3) The bus switch contributes no propagation delay other than the RC delay of the on resistance of the switch and the load capacitance. The time constant for the switch alone is of the order of 0.25 ns for 10-pF load. This time constant is much smaller than the rise/fall times of typical driving signals, therefore the time adds very little propagation delay to the system. Propagation delay of the bus switch, when used in a system, is determined by the driving circuit on the driving side of the switch and its interactions with the load on the driven side.

### 5.10 Typical Characteristics



## Parameter Measurement Information



- (1) All input pulses are supplied by generators having the following characteristics: PRR ≤ 10 MHz, Z<sub>O</sub> = 50Ω, t<sub>r</sub> < 5 ns, t<sub>f</sub> < 5 ns.
- (2) C<sub>L</sub> includes probe and jig capacitance.

Figure 6-1. Turnon (T<sub>ON</sub>) and Turnoff Time (T<sub>OFF</sub>)

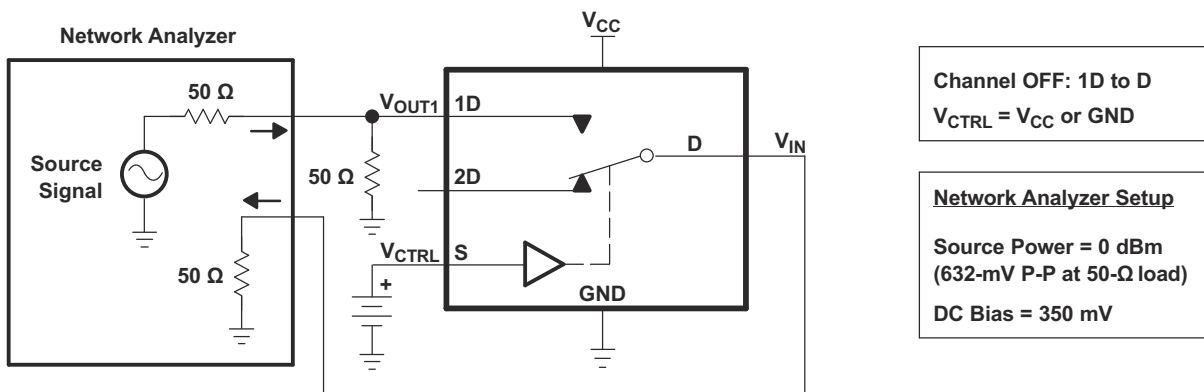


Figure 6-2. OFF Isolation (O<sub>ISO</sub>)

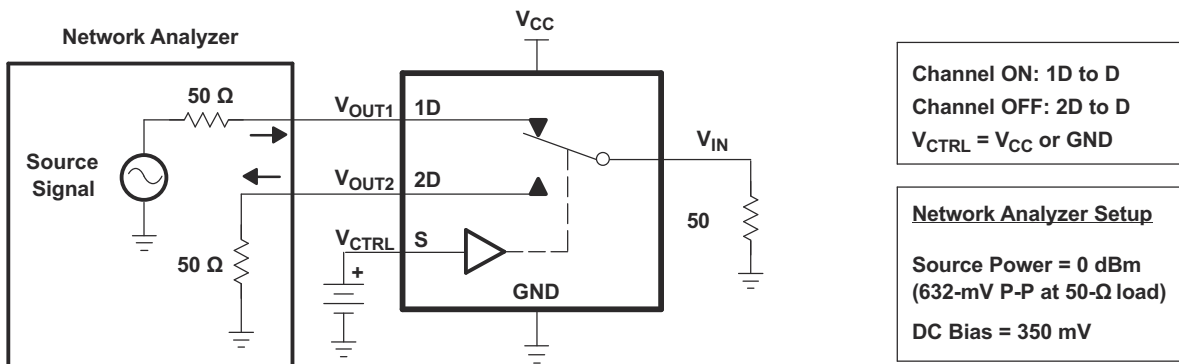
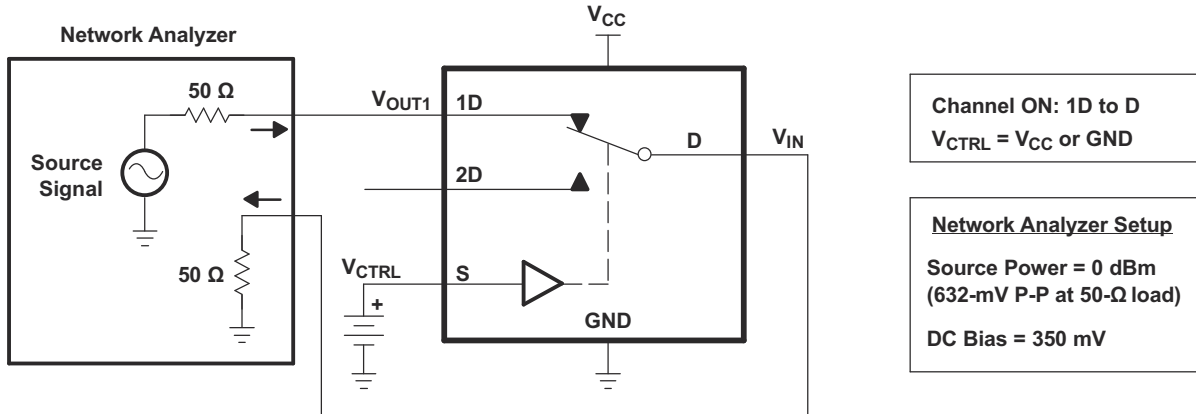
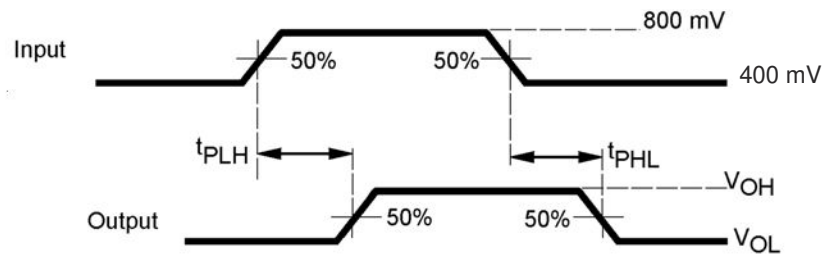


Figure 6-3. Crosstalk (X<sub>TALK</sub>)

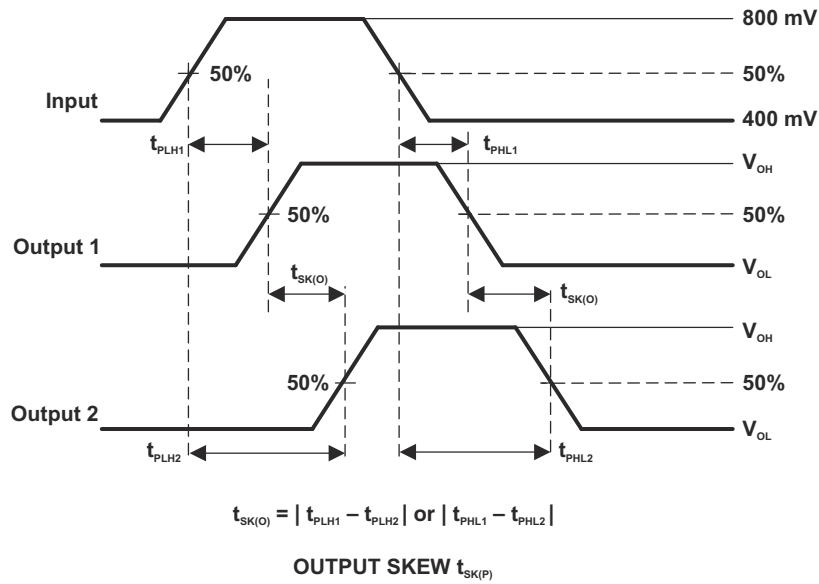
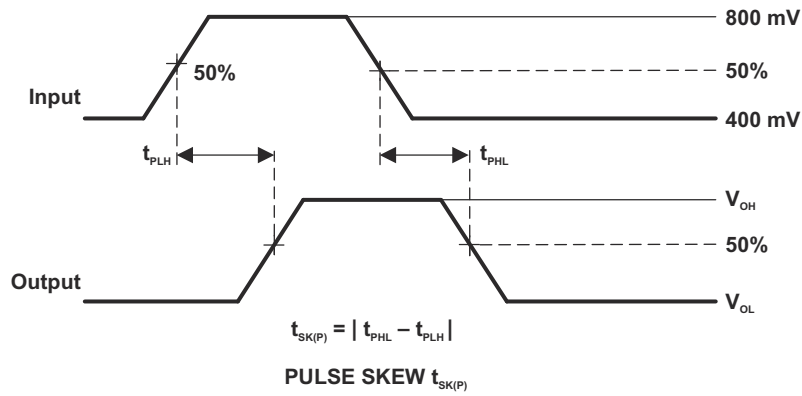




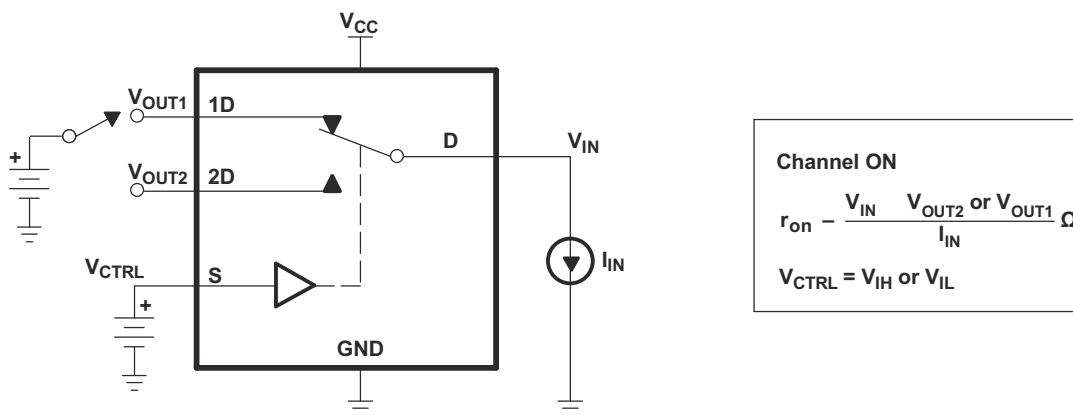
**Figure 6-4. Bandwidth (BW)**



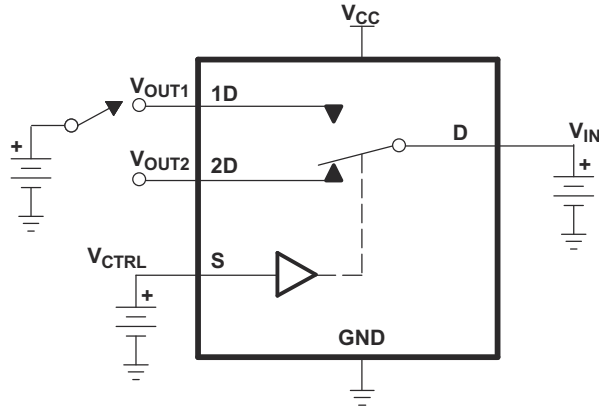
**Figure 6-5. Propagation Delay**



**Figure 6-6. Skew Test**

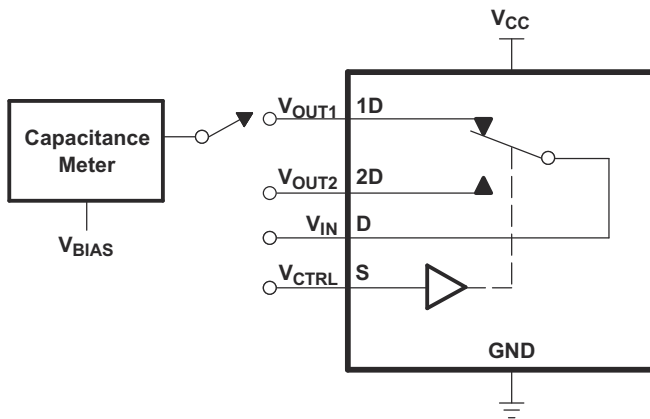


**Figure 6-7. ON-State Resistance ( $R_{on}$ )**



**OFF-State Leakage Current**  
 Channel OFF  
 $V_{CTRL} = V_{IH}$  or  $V_{IL}$

**Figure 6-8. OFF-State Leakage Current**



$V_{BIAS} = V_{CC}$  or  $GND$   
 $V_{CTRL} = V_{CC}$  or  $GND$   
 Capacitance is measured at 1D,  
 2D, D, and S inputs during ON  
 and OFF conditions.

**Figure 6-9. Capacitance**

## 6 Detailed Description

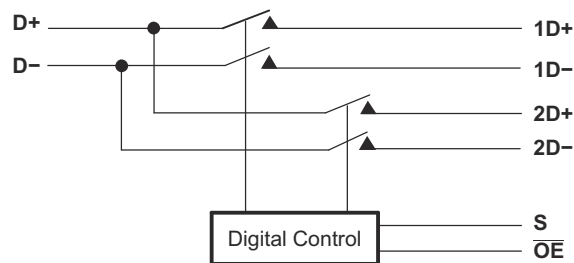
### 6.1 Overview

The TS3USB221E device is a 2-channel SPDT switch specially designed for the switching of high-speed USB 2.0 signals in handset and consumer applications, such as cell phones, digital cameras, and notebooks with hubs or controllers with limited USB I/Os. The wide bandwidth (1 GHz) of this switch allows signals to pass with minimum edge and phase distortion. The device multiplexes differential outputs from a USB host device to one of two corresponding outputs. The switch is bidirectional and offers little or no attenuation of the high-speed signals at the outputs. The device also has a low power mode that reduces the power consumption to 1  $\mu$ A for portable applications with a battery or limited power budget.

The device is designed for low bit-to-bit skew and high channel-to-channel noise isolation, and is compatible with various standards, such as high-speed USB 2.0 (480 Mbps).

The TS3USB221E device integrates ESD protection cells on all pins, is available in a SON package (3mm  $\times$  3mm) as well as in a tiny  $\mu$ QFN package (2mm  $\times$  1.5mm) and is characterized over the free-air temperature range from  $-40^{\circ}\text{C}$  to  $85^{\circ}\text{C}$ .

### 6.2 Functional Block Diagram



### 6.3 Feature Description

#### 6.3.1 Low Power Mode

The TS3USB221E has a low power mode that reduces the power consumption to 1  $\mu$ A when the device is not in use. To put the device in low power mode and disable the switch, the bus-switch enable pin  $\overline{\text{OE}}$  must be supplied with a logic high signal.

### 6.4 Device Functional Modes

Table 6-1. Truth Table

S	$\overline{\text{OE}}$	FUNCTION
X	H	Disconnect
L	L	D = 1D
H	L	D = 2D

## 7 Application and Implementation

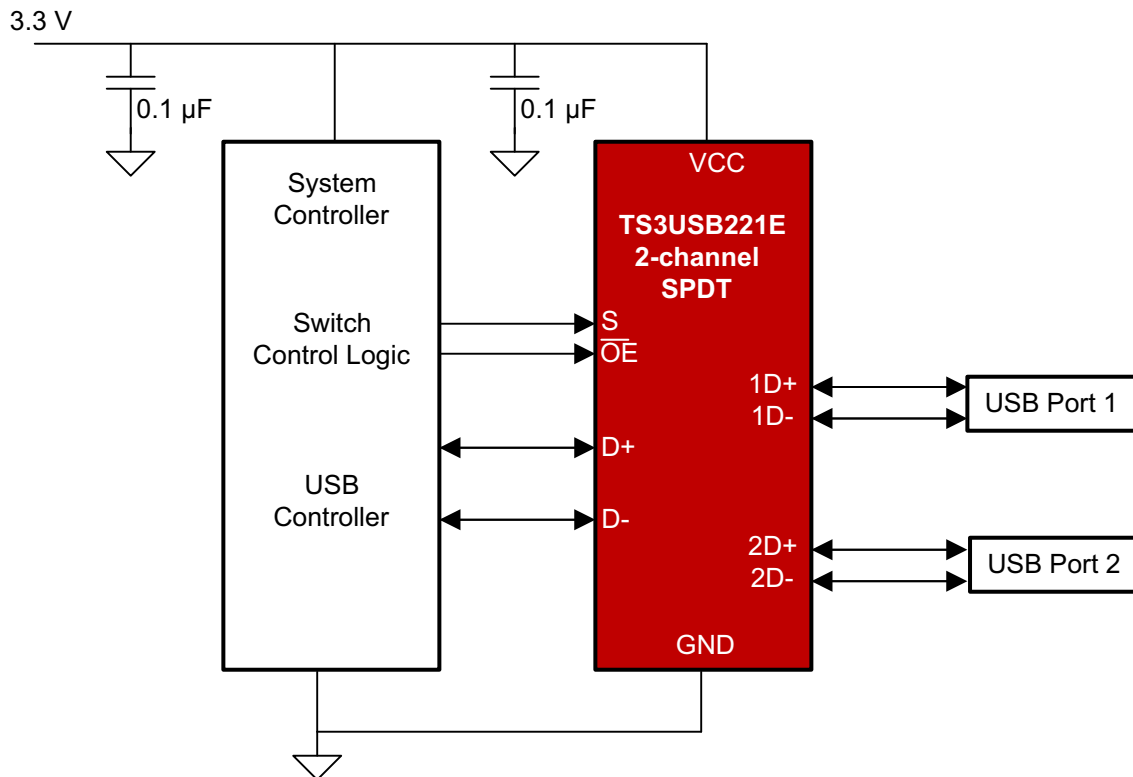
### Note

Information in the following applications sections is not part of the TI component specification, and TI does not warrant its accuracy or completeness. TI's customers are responsible for determining suitability of components for their purposes, as well as validating and testing their design implementation to confirm system functionality.

### 7.1 Application Information

There are many USB applications in which the USB hubs or controllers have a limited number of USB I/Os. The TS3USB221E can effectively expand the limited USB I/Os by switching between multiple USB buses to interface them to a single USB hub or controller. The TS3USB221E can also be used to connect a single controller to two USB connectors.

### 7.2 Typical Application



**Figure 7-1. Simplified Schematic**

#### 7.2.1 Design Requirements

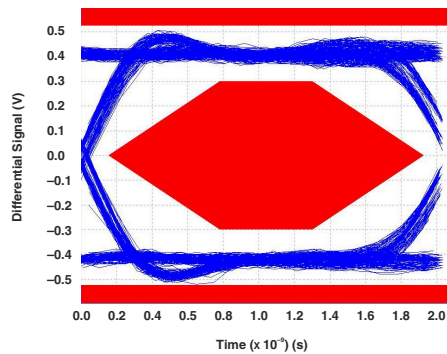
Follow the design requirements of the USB 1.0, 1.1, and 2.0 standards.

TI recommends that the digital control pins S and  $\overline{OE}$  be pulled up to  $V_{CC}$  or down to GND to avoid undesired switch positions that could result from the floating pin.

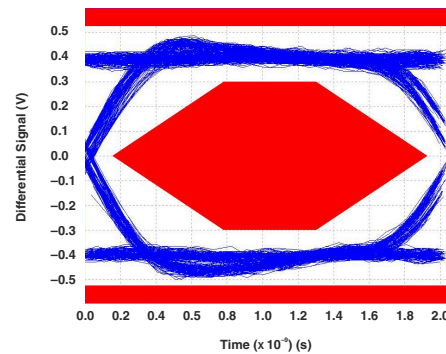
#### 7.2.2 Detailed Design Procedure

The TS3USB221E can be properly operated without any external components. However, TI recommends to connect any unused pins to ground through a 50- $\Omega$  resistor to prevent signal reflections back into the device.

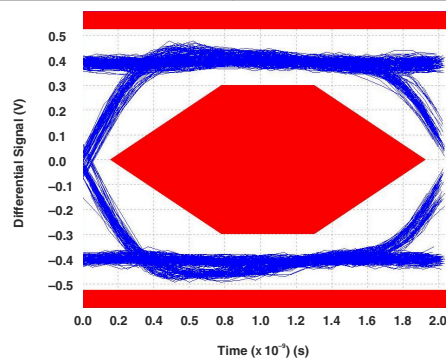
### 7.2.3 Application Curves



**Figure 7-2. Eye Pattern: 480-Mbps USB Signal With No Switch (Through Path)**



**Figure 7-3. Eye Pattern: 480-Mbps USB Signal With Switch 1D Path**



**Figure 7-4. Eye Pattern: 480-Mbps USB Signal With Switch 2D Path**

## 7.3 Power Supply Recommendations

Make sure that the power to the device supplied through the  $V_{CC}$  pin follows the USB 1.0, 1.1, and 2.0 standards. TI recommends placing a bypass capacitor as close as possible to the supply pin  $V_{CC}$  to help smooth out lower frequency noise to provide better load regulation across the frequency spectrum.

## 7.4 Layout

### 7.4.1 Layout Guidelines

Place supply bypass capacitors as close to  $V_{CC}$  pin as possible and avoid placing the bypass caps near the D+/D– traces.

The high speed D+/D– traces should always be matched lengths and must be no more than 4 inches; otherwise, the eye diagram performance can be degraded. A high-speed USB connection is made through a shielded, twisted pair cable with a differential characteristic impedance. In layout, the impedance of D+ and D– traces should match the cable characteristic differential impedance for optimal performance.

Route the high-speed USB signals using a minimum of vias and corners to reduce signal reflections and impedance changes. When a via must be used, increase the clearance size around the via to minimize the capacitance. Each via introduces discontinuities in the transmission line of the signal and increases the chance of picking up interference from the other layers of the board. Be careful when designing test points on twisted pair lines; through-hole pins are not recommended.

When it becomes necessary to turn 90°, use two 45° turns or an arc instead of making a single 90° turn. This reduces reflections on the signal traces by minimizing impedance discontinuities.

Do not route USB traces under or near crystals, oscillators, clock signal generators, switching regulators, mounting holes, magnetic devices or ICs that use or duplicate clock signals.

Avoid stubs on the high-speed USB signals because they cause signal reflections. If a stub is unavoidable, then the stub should be less than 200 mm.

Route all high-speed USB signal traces over continuous planes ( $V_{CC}$  or GND), with no interruptions.

Avoid crossing over anti-etch, commonly found with plane splits.

Due to high frequencies associated with the USB, a printed circuit board with at least four layers is recommended; two signal layers separated by a ground and power layer as shown in Figure 7-5.

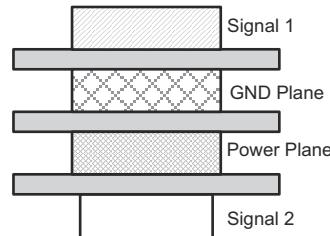


Figure 7-5. Four-Layer Board Stack-Up

The majority of signal traces should run on a single layer, preferably Signal 1. Immediately next to this layer should be the GND plane, which is solid with no cuts. Avoid running signal traces across a split in the ground or power plane. When running across split planes is unavoidable, sufficient decoupling must be used. Minimizing the number of signal vias reduces EMI by reducing inductance at high frequencies. For more information on layout guidelines, see [High Speed Layout Guidelines](#) and [USB 2.0 Board Design and Layout Guidelines](#).

#### 7.4.2 Layout Example

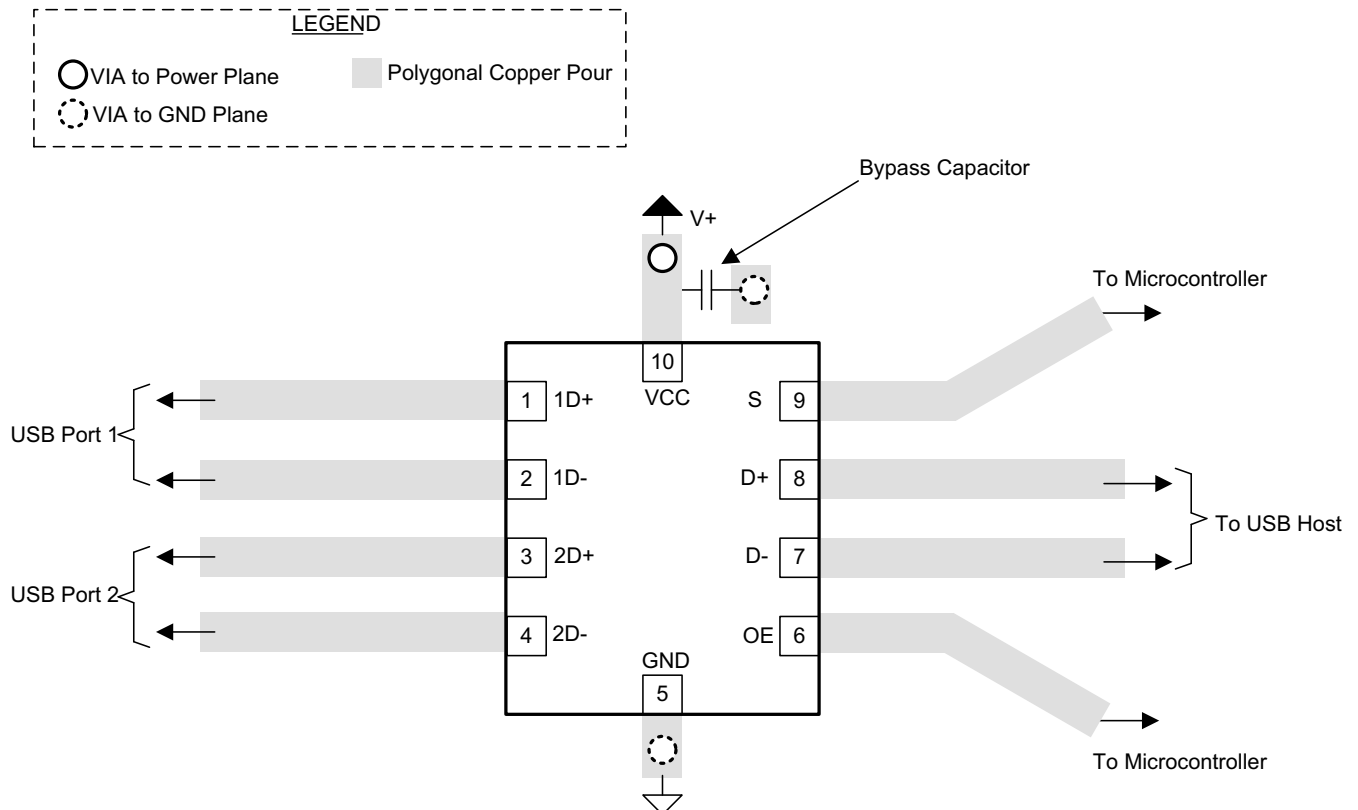


Figure 7-6. Package Layout Diagram

## 8 Device and Documentation Support

### 8.1 Documentation Support

#### 8.1.1 Related Documentation

For related documentation, see the following:

- Texas Instruments, [Implications of Slow or Floating CMOS Inputs application note](#)
- Texas Instruments, [High Speed Layout Guidelines](#)
- Texas Instruments, [USB 2.0 Board Design and Layout Guidelines](#)

### 8.2 Receiving Notification of Documentation Updates

To receive notification of documentation updates, navigate to the device product folder on [ti.com](http://ti.com). Click on *Notifications* to register and receive a weekly digest of any product information that has changed. For change details, review the revision history included in any revised document.

### 8.3 Support Resources

TI E2E™ support forums are an engineer's go-to source for fast, verified answers and design help — straight from the experts. Search existing answers or ask your own question to get the quick design help you need.

Linked content is provided "AS IS" by the respective contributors. They do not constitute TI specifications and do not necessarily reflect TI's views; see TI's [Terms of Use](#).

### 8.4 Trademarks

TI E2E™ is a trademark of Texas Instruments.

All trademarks are the property of their respective owners.

### 8.5 Electrostatic Discharge Caution



This integrated circuit can be damaged by ESD. Texas Instruments recommends that all integrated circuits be handled with appropriate precautions. Failure to observe proper handling and installation procedures can cause damage.

ESD damage can range from subtle performance degradation to complete device failure. Precision integrated circuits may be more susceptible to damage because very small parametric changes could cause the device not to meet its published specifications.

### 8.6 Glossary

[TI Glossary](#) This glossary lists and explains terms, acronyms, and definitions.

## 9 Revision History

NOTE: Page numbers for previous revisions may differ from page numbers in the current version.

Changes from Revision D (September 2019) to Revision E (July 2024)	Page
• Updated the numbering format for tables, figures, and cross-references throughout the document.....	1
• Changed ESD HBM performance testing standard from: JESD 22 to: JEDEC JS-001.....	4
• Changed ESD CDM performance testing standard from: JESD22-C101 to: JEDEC JS-002.....	4
• Added tablenote to the Data input/output voltage parameter.....	4
• Changed RSE (UQFN) junction-to-ambient thermal resistance value from: 169.8°C/W to: 204.8°C/W.....	5
• Changed RSE (UQFN) junction-to-case (top) thermal resistance value from: 84.7°C/W to: 118.1°C/W.....	5
• Changed RSE (UQFN) junction-to-board thermal resistance value from: 94.9°C/W to: 121.5°C/W.....	5
• Changed RSE (UQFN) junction-to-top characterization parameter value from: 5.7°C/W to: 13.9°C/W.....	5
• Changed RSE (UQFN) junction-to-board characterization parameter value from: 94.9°C/W to: 121.2°C/W.....	5
• Changed the $V_{IK}$ value in the <i>Electrical Characteristics</i> table from: –1.8V maximum to: –1.8V minimum.....	5
• Changed the graphs in the <i>Typical Characteristics</i> section.....	7



---

<b>Changes from Revision C (April 2015) to Revision D (September 2019)</b>	<b>Page</b>
• Changed V <sub>CC</sub> Operation FROM 2.5 V to 3.3 V TO 2.3 V to 3.6 V.....	1

---

<b>Changes from Revision B (July 2012) to Revision C (April 2015)</b>	<b>Page</b>
• Added <i>Pin Configuration and Functions</i> section, <i>ESD Ratings</i> table, <i>Thermal Information</i> table, <i>Feature Description</i> section, <i>Device Functional Modes, Application and Implementation</i> section, <i>Power Supply Recommendations</i> section, <i>Layout</i> section, <i>Device and Documentation Support</i> section, and <i>Mechanical, Packaging, and Orderable Information</i> section .....	1
• Removed <i>Ordering Information</i> table.....	1

---

<b>Changes from Revision A (February 2010) to Revision B (July 2012)</b>	<b>Page</b>
• Updated TOP-SIDE MARKING for RSE package in <i>Ordering Information</i> table.....	1

---

## **10 Mechanical, Packaging, and Orderable Information**

The following pages include mechanical, packaging, and orderable information. This information is the most current data available for the designated devices. This data is subject to change without notice and revision of this document. For browser-based versions of this data sheet, refer to the left-hand navigation.

**PACKAGING INFORMATION**

Orderable Device	Status (1)	Package Type	Package Drawing	Pins	Package Qty	Eco Plan (2)	Lead finish/ Ball material (6)	MSL Peak Temp (3)	Op Temp (°C)	Device Marking (4/5)	Samples
TS3USB221EDRCR	ACTIVE	VSON	DRC	10	3000	RoHS & Green	NIPDAU	Level-2-260C-1 YEAR	-40 to 85	ZVM	<a href="#">Samples</a>
TS3USB221ERSER	ACTIVE	UQFN	RSE	10	3000	RoHS & Green	NIPDAU   NIPDAUAG	Level-1-260C-UNLIM	-40 to 85	(LGO, LGR, LGV)	<a href="#">Samples</a>

(1) The marketing status values are defined as follows:

**ACTIVE:** Product device recommended for new designs.

**LIFEBUY:** TI has announced that the device will be discontinued, and a lifetime-buy period is in effect.

**NRND:** Not recommended for new designs. Device is in production to support existing customers, but TI does not recommend using this part in a new design.

**PREVIEW:** Device has been announced but is not in production. Samples may or may not be available.

**OBSELETE:** TI has discontinued the production of the device.

(2) **RoHS:** TI defines "RoHS" to mean semiconductor products that are compliant with the current EU RoHS requirements for all 10 RoHS substances, including the requirement that RoHS substance do not exceed 0.1% by weight in homogeneous materials. Where designed to be soldered at high temperatures, "RoHS" products are suitable for use in specified lead-free processes. TI may reference these types of products as "Pb-Free".

**RoHS Exempt:** TI defines "RoHS Exempt" to mean products that contain lead but are compliant with EU RoHS pursuant to a specific EU RoHS exemption.

**Green:** TI defines "Green" to mean the content of Chlorine (Cl) and Bromine (Br) based flame retardants meet JS709B low halogen requirements of <=1000ppm threshold. Antimony trioxide based flame retardants must also meet the <=1000ppm threshold requirement.

(3) MSL, Peak Temp. - The Moisture Sensitivity Level rating according to the JEDEC industry standard classifications, and peak solder temperature.

(4) There may be additional marking, which relates to the logo, the lot trace code information, or the environmental category on the device.

(5) Multiple Device Markings will be inside parentheses. Only one Device Marking contained in parentheses and separated by a "~" will appear on a device. If a line is indented then it is a continuation of the previous line and the two combined represent the entire Device Marking for that device.

(6) Lead finish/Ball material - Orderable Devices may have multiple material finish options. Finish options are separated by a vertical ruled line. Lead finish/Ball material values may wrap to two lines if the finish value exceeds the maximum column width.

**Important Information and Disclaimer:**The information provided on this page represents TI's knowledge and belief as of the date that it is provided. TI bases its knowledge and belief on information provided by third parties, and makes no representation or warranty as to the accuracy of such information. Efforts are underway to better integrate information from third parties. TI has taken and continues to take reasonable steps to provide representative and accurate information but may not have conducted destructive testing or chemical analysis on incoming materials and chemicals. TI and TI suppliers consider certain information to be proprietary, and thus CAS numbers and other limited information may not be available for release.

In no event shall TI's liability arising out of such information exceed the total purchase price of the TI part(s) at issue in this document sold by TI to Customer on an annual basis.

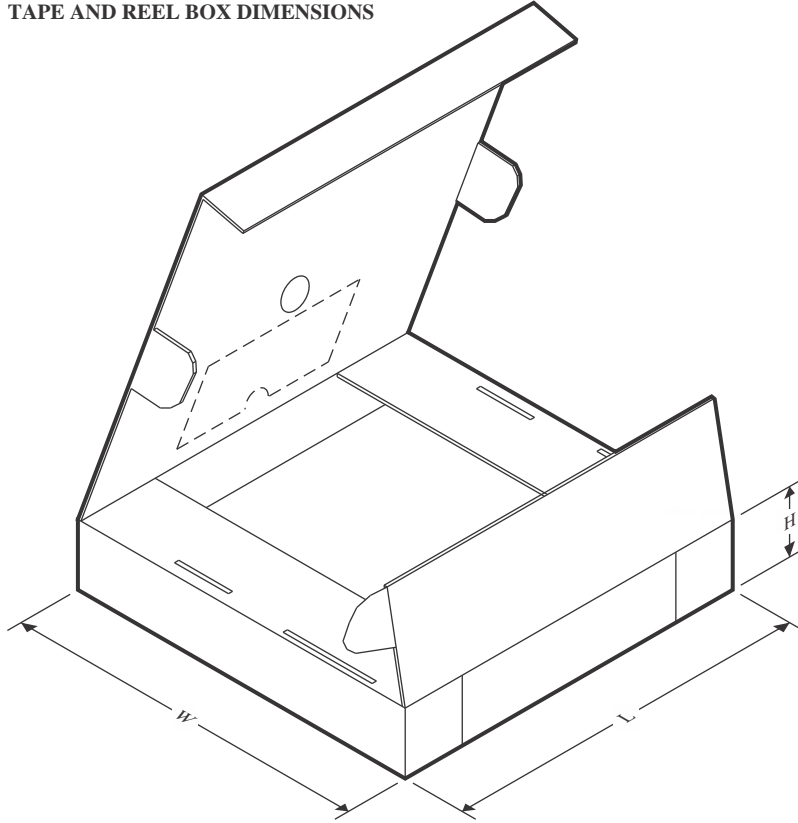


**TAPE AND REEL INFORMATION**

**QUADRANT ASSIGNMENTS FOR PIN 1 ORIENTATION IN TAPE**

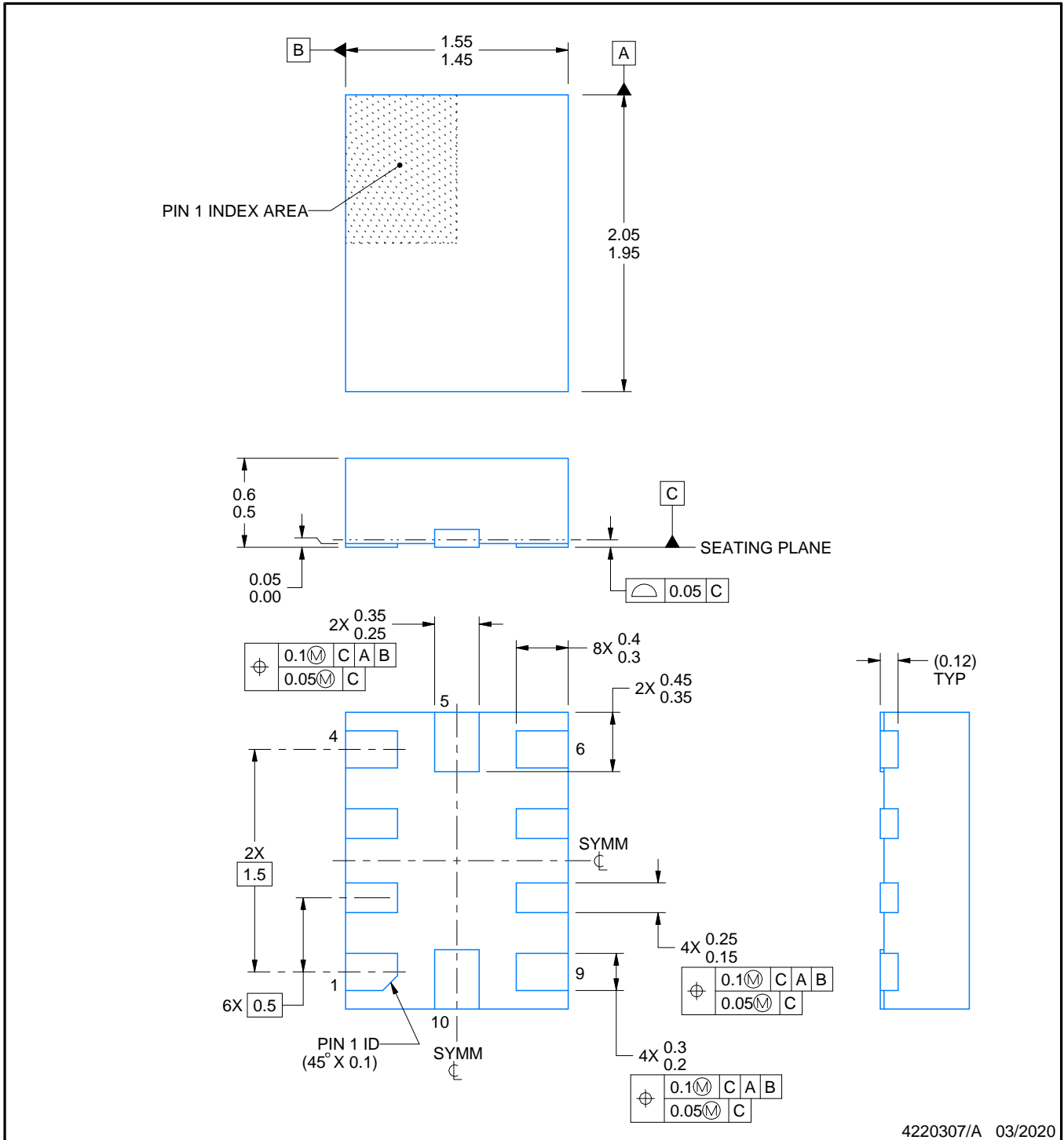
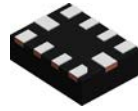

\*All dimensions are nominal

Device	Package Type	Package Drawing	Pins	SPQ	Reel Diameter (mm)	Reel Width W1 (mm)	A0 (mm)	B0 (mm)	K0 (mm)	P1 (mm)	W (mm)	Pin1 Quadrant
TS3USB221EDRCR	VSON	DRC	10	3000	330.0	12.4	3.3	3.3	1.1	8.0	12.0	Q2
TS3USB221ERSER	UQFN	RSE	10	3000	180.0	9.5	1.7	2.2	0.75	4.0	8.0	Q1
TS3USB221ERSER	UQFN	RSE	10	3000	180.0	8.4	1.68	2.13	0.76	4.0	8.0	Q1

**TAPE AND REEL BOX DIMENSIONS**


\*All dimensions are nominal

Device	Package Type	Package Drawing	Pins	SPQ	Length (mm)	Width (mm)	Height (mm)
TS3USB221EDRCR	VSON	DRC	10	3000	356.0	356.0	35.0
TS3USB221ERSER	UQFN	RSE	10	3000	189.0	185.0	36.0
TS3USB221ERSER	UQFN	RSE	10	3000	202.0	201.0	28.0



NOTES:

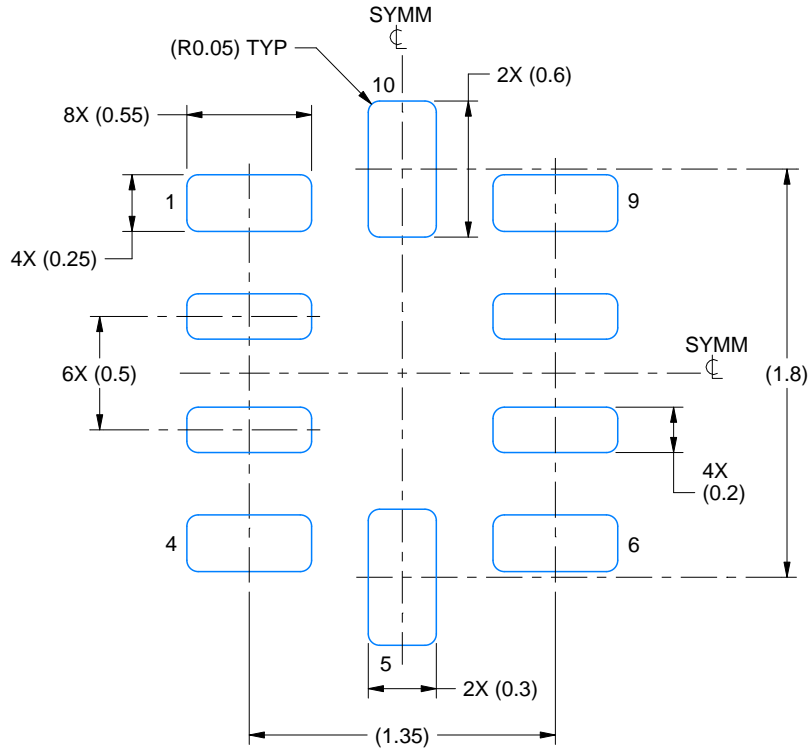
1. All linear dimensions are in millimeters. Any dimensions in parenthesis are for reference only. Dimensioning and tolerancing per ASME Y14.5M.
2. This drawing is subject to change without notice.

# EXAMPLE BOARD LAYOUT

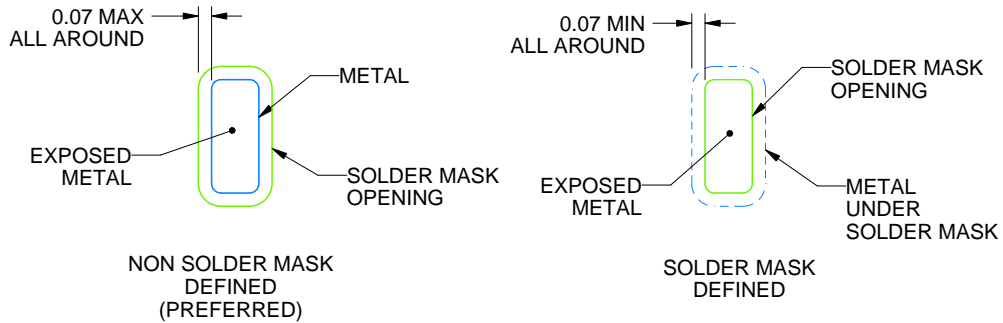
RSE0010A

UQFN - 0.6 mm max height

PLASTIC QUAD FLATPACK - NO LEAD



LAND PATTERN EXAMPLE  
EXPOSED METAL SHOWN  
SCALE:30X



SOLDER MASK DETAILS  
NOT TO SCALE

4220307/A 03/2020

NOTES: (continued)

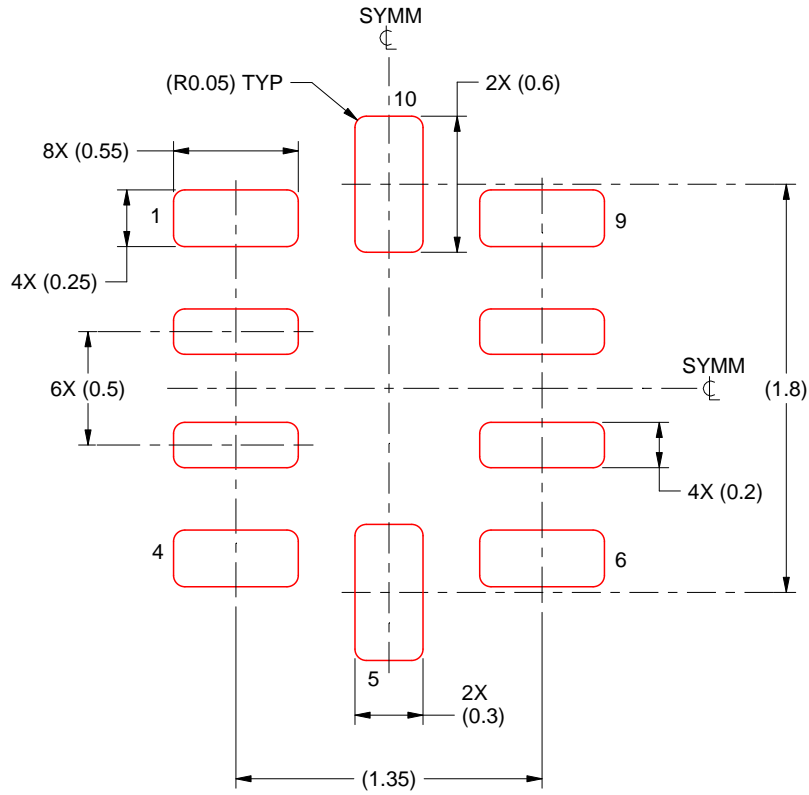
3. For more information, see Texas Instruments literature number SLUA271 ([www.ti.com/lit/slua271](http://www.ti.com/lit/slua271)).

# EXAMPLE STENCIL DESIGN

RSE0010A

UQFN - 0.6 mm max height

PLASTIC QUAD FLATPACK - NO LEAD



SOLDER PASTE EXAMPLE  
BASED ON 0.1 mm THICKNESS  
SCALE: 30X

4220307/A 03/2020

NOTES: (continued)

5. Laser cutting apertures with trapezoidal walls and rounded corners may offer better paste release. IPC-7525 may have alternate design recommendations.



## GENERIC PACKAGE VIEW

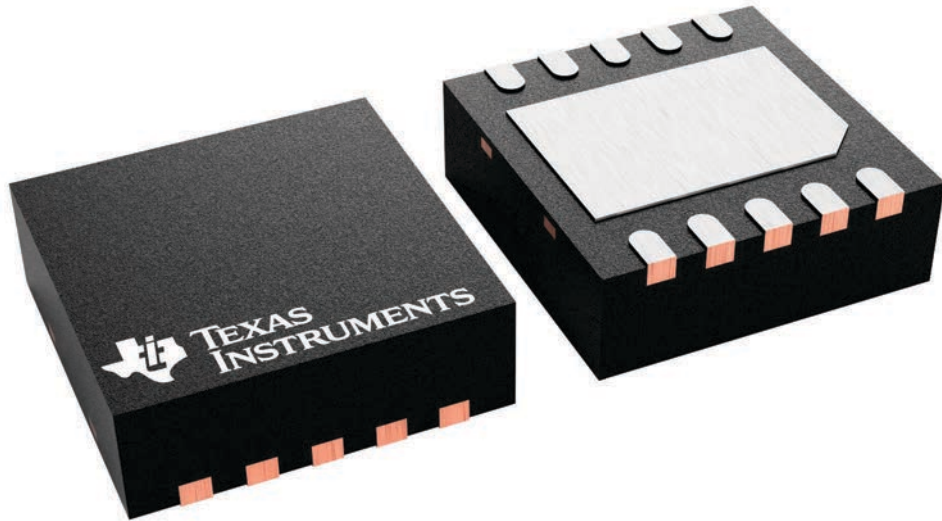
**DRC 10**

**VSON - 1 mm max height**

3 x 3, 0.5 mm pitch

PLASTIC SMALL OUTLINE - NO LEAD

This image is a representation of the package family, actual package may vary.  
Refer to the product data sheet for package details.



4226193/A



# EXAMPLE BOARD LAYOUT

DRC0010J

VSON - 1 mm max height

PLASTIC SMALL OUTLINE - NO LEAD



LAND PATTERN EXAMPLE  
EXPOSED METAL SHOWN  
SCALE:20X



SOLDER MASK DETAILS

4218878/B 07/2018

NOTES: (continued)

4. This package is designed to be soldered to a thermal pad on the board. For more information, see Texas Instruments literature number SLUA271 ([www.ti.com/lit/sluea271](http://www.ti.com/lit/sluea271)).
5. Vias are optional depending on application, refer to device data sheet. If any vias are implemented, refer to their locations shown on this view. It is recommended that vias under paste be filled, plugged or tented.

# EXAMPLE STENCIL DESIGN

DRC0010J

VSON - 1 mm max height

PLASTIC SMALL OUTLINE - NO LEAD



SOLDER PASTE EXAMPLE  
BASED ON 0.125 mm THICK STENCIL

EXPOSED PAD 11:  
80% PRINTED SOLDER COVERAGE BY AREA  
SCALE:25X

4218878/B 07/2018

NOTES: (continued)

6. Laser cutting apertures with trapezoidal walls and rounded corners may offer better paste release. IPC-7525 may have alternate design recommendations.

## IMPORTANT NOTICE AND DISCLAIMER

TI PROVIDES TECHNICAL AND RELIABILITY DATA (INCLUDING DATA SHEETS), DESIGN RESOURCES (INCLUDING REFERENCE DESIGNS), APPLICATION OR OTHER DESIGN ADVICE, WEB TOOLS, SAFETY INFORMATION, AND OTHER RESOURCES "AS IS" AND WITH ALL FAULTS, AND DISCLAIMS ALL WARRANTIES, EXPRESS AND IMPLIED, INCLUDING WITHOUT LIMITATION ANY IMPLIED WARRANTIES OF MERCHANTABILITY, FITNESS FOR A PARTICULAR PURPOSE OR NON-INFRINGEMENT OF THIRD PARTY INTELLECTUAL PROPERTY RIGHTS.

These resources are intended for skilled developers designing with TI products. You are solely responsible for (1) selecting the appropriate TI products for your application, (2) designing, validating and testing your application, and (3) ensuring your application meets applicable standards, and any other safety, security, regulatory or other requirements.

These resources are subject to change without notice. TI grants you permission to use these resources only for development of an application that uses the TI products described in the resource. Other reproduction and display of these resources is prohibited. No license is granted to any other TI intellectual property right or to any third party intellectual property right. TI disclaims responsibility for, and you will fully indemnify TI and its representatives against, any claims, damages, costs, losses, and liabilities arising out of your use of these resources.

TI's products are provided subject to [TI's Terms of Sale](#) or other applicable terms available either on [ti.com](https://www.ti.com) or provided in conjunction with such TI products. TI's provision of these resources does not expand or otherwise alter TI's applicable warranties or warranty disclaimers for TI products.

TI objects to and rejects any additional or different terms you may have proposed.

Mailing Address: Texas Instruments, Post Office Box 655303, Dallas, Texas 75265  
Copyright © 2024, Texas Instruments Incorporated