



TS431/431A/431B

Adjustable Precision Shunt Regulator

TO-92

SOT-89

SOT-23

SOP-8



Sink Current Capability up to 100mA

General Description

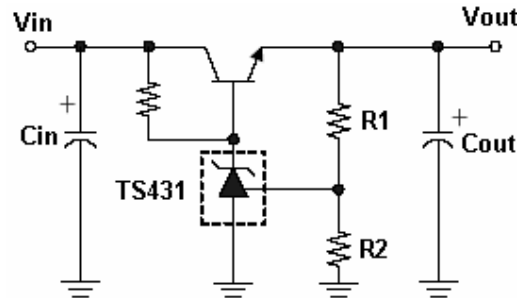
The TS431/431A/431B integrated circuits are three-terminal programmable shunt regulator diodes. These monolithic IC voltage references operate as a low temperature coefficient zener which is programmable from Vref to 36 volts with two external resistors. These devices exhibit a wide operating current range of 1.0 to 100mA with a typical dynamic impedance of 0.22Ω. The characteristics of these references make them excellent replacements for zener diodes in many applications such as digital voltmeters, power supplies, and op amp circuitry. The 2.5volt reference makes it convenient to obtain a stable reference from 5.0volt logic supplies, and since The TS431/431A/431B operates as a shunt regulator, it can be used as either a positive or negative stage reference.

This series is offered in 3-pin TO-92, SOT-89, SOT-23 and SOP-8 package.

Features

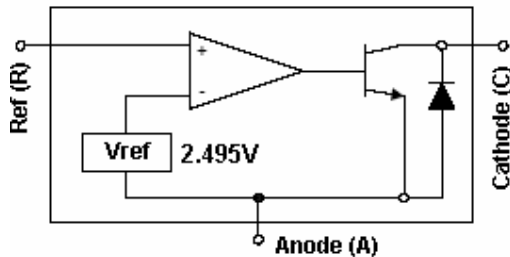
- ◇ Precision Reference Voltage
 - TS431 2.495V±2%
 - TS431A 2.495V±1%
 - TS431B 2.495V±0.5%
- ◇ Equivalent Full Range Temp. Coefficient: 50ppm/°C
- ◇ Programmable Output Voltage up to 36V
- ◇ Fast Turn-On Response
- ◇ Sink Current Capability of 1.0 to 100 mA
- ◇ Low Dynamic Output Impedance: 0.22Ω
- ◇ Low Output Noise

Standard Application



$$V_{out} = V_{ref} * (1 + R1 / R2)$$

Block Diagram



Ordering Information

| Part No. | Operating Temp. (Ambient) | Package |
|----------|---------------------------|---------|
| TS431xCT | -20 ~ +85 °C | TO-92 |
| TS431xCY | | SOT-89 |
| TS431xCX | | SOT-23 |
| TS431xCS | | SOP-8 |

Note: Where **x** denotes voltage tolerance.

Blank: ±2%

A: ±1%

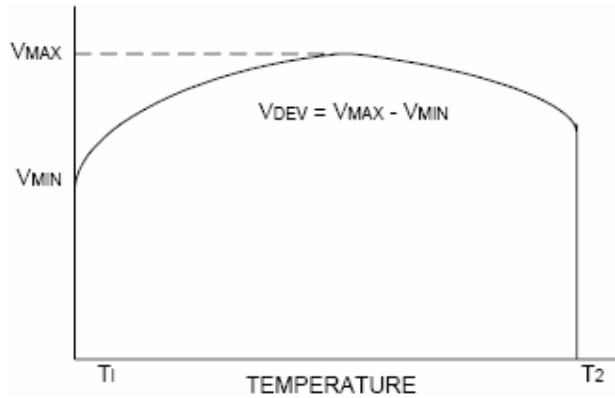
B: ±0.5%

Pin Assignment

| Pin No. | | | | Pin Description |
|-------------|-------------|-------------|-------------|-----------------|
| TS431/A/BCT | TS431/A/BCY | TS431/A/BCX | TS431/A/BCS | |
| 1 | 1 | 1 | 8 | Reference |
| 2 | 2 | 3 | 2,3,6,7 | Anode |
| 3 | 3 | 2 | 1 | Cathode |
| | | | 4,5 | Non connect |



| Absolute Maximum Rating | | | | | | | |
|---|----------------|------------------|--|-------|---------------|---------------|------|
| Cathode Voltage (Note 1) | | Vka | 37 | V | | | |
| Continuous Cathode Current Range | | Ik | -100 ~ +150 | mA | | | |
| Reference Input Current Range | | Iref | -0.05 ~ +10 | mA | | | |
| Power Dissipation (Note 2, 3) | TO-92 | Pd | 0.625 | W | | | |
| | SOT-89 / SOP-8 | | 0.5 | | | | |
| | SOT-23 | | 0.3 | | | | |
| Operating Junction Temperature Range | | Tj | +125 | °C | | | |
| Storage Temperature Range | | T _{STG} | -65 ~ +150 | °C | | | |
| Note 1: Voltage values are with respect to the anode terminal unless otherwise noted. | | | | | | | |
| Note 2: Tj Max = 150 °C | | | | | | | |
| Note 3: Rating apply to ambient temperature at 25 °C | | | | | | | |
| Recommend Operating Condition | | | | | | | |
| Cathode Voltage Range | | Vka | Ref ~ 36 | V | | | |
| Cathode Current Range (for regulation) | | Ik | 1 ~ 100 | mA | | | |
| Electrical Characteristics | | | | | | | |
| (Ta=25 °C, unless otherwise specified.) | | | | | | | |
| Parameter | | Symbo | Test Conditions | Min | Typ | Max | Unit |
| Reference voltage | TS431 | Vref | Vka =Vref, Ik=10mA (Figure 1) | 2.487 | 2.495 | 2.513 | V |
| | TS431A | | | 2.475 | | 2.525 | |
| | TS431B | | | 2.450 | | 2.550 | |
| Deviation of reference input voltage, over temp. (Note 4) | | ΔVref | Ta = full range Vka =Vref, Ik=10mA (Figure 1) | -- | 3 | 17 | mV |
| Reference Input current | | Iref | R1=10KΩ, R2=∞, Ika=10mA (Figure 2) | -- | 0.7 | 4.0 | uA |
| Radio of change in Vref to change in cathode Voltage | | ΔVref / ΔVka | Ika=10mA, Vka = 10V to Vref, Vka = 36V to 10V (Figure 2) | -- | -1.4 - 1.0 | -2.7 - 2.0 | mV/V |
| Deviation of reference input current, over temp. | | Iref(DEV) | Ta= full range R1=10KΩ, R2=∞, Ika=10mA (Figure 2) | -- | 0.4 | 1.2 | uA |
| Minimum operating cathode current | | Ika(min) | Vka=Vref (Figure 1) | -- | 0.4 | 0.6 | mA |
| Off-state Cathode Current | | Ioff | Vref=0V (Figure 3) Vka=36V | -- | -- | 1.0 | uA |
| Dynamic Output Impedance | | Zka | f<1KHz, Vka=Vref Ika=1mA to 100mA (Figure 1) | -- | 0.22 | 0.5 | Ω |



Note 4. Deviation of reference input voltage, VDEV, is defined as the maximum deviation of the reference over the full temperature range.

The average temperature coefficient of the reference input voltage αV_{ref} is defined as:

$$|\alpha V_{ref}| = [V_{DEV} / V_{ref}(25^\circ\text{C})] * 10^6 / T2 - T1 \dots\dots\dots (\text{PPM}/^\circ\text{C})$$

Where: $T2-T1$ = full temperature change.

αV_{ref} can be positive or negative depending on whether the slope is positive or negative.

Example: Maximum $V_{ref}=2.496\text{V}$ at 30°C , minimum $V_{ref}=2.492\text{V}$ at 0°C , $V_{ref}=2.495\text{V}$ at 25°C , $\Delta T=70^\circ\text{C}$

$$|\alpha V_{ref}| = [4\text{mV} / 2495\text{mV}] * 10^6 / 70^\circ\text{C} \approx 23\text{ppm}/^\circ\text{C}$$

Note 5. The dynamic output impedance, R_z , is defined as:

$$|Z_{ka}| = \Delta V_{ka} / \Delta I_{ka}$$

When the device is programmed with two external resistors $R1$ and $R2$ (see Figure 2). The dynamic output impedance of the overall circuit, is defined as :

$$|Z_{ka}| = \Delta v / \Delta i \approx Z_{ka} * (1 + R1 / R2)$$

Test Circuits

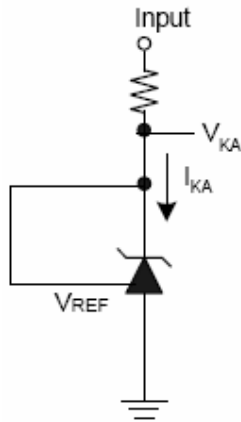
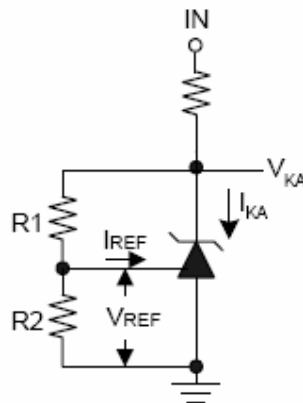


Figure 1. $V_{ka} = V_{ref}$



$$V_{ka} = V_{ref}(1+R1/R2)+I_{ref} * R1$$

Figure 2. $V_{ka} > V_{ref}$

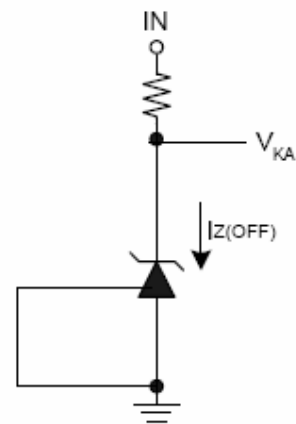
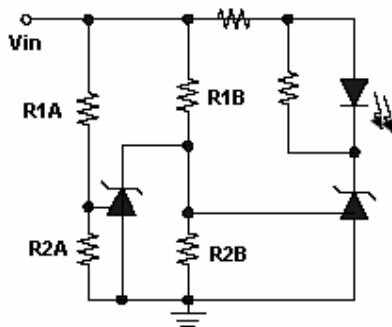


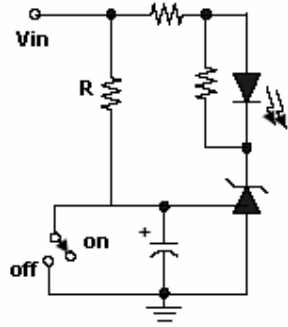
Figure 3. Off-state Current

Application Examples



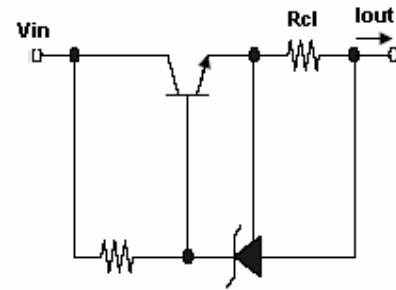
LED on when $\text{low limit} < V_{in} < \text{high limit}$
 $\text{low limit} = V_{ref} (1 + R1B / R2B)$
 $\text{high limit} = V_{ref} (1 + R1A / R2A)$

Figure 4. Voltage Monitor



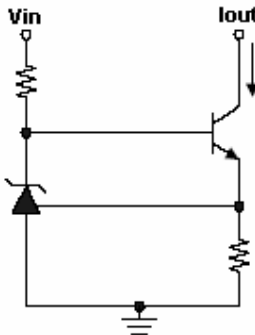
$\text{Delay} = RC \ln (V_{in} / (V_{in} - V_{ref}))$

Figure 5. Delay Timer



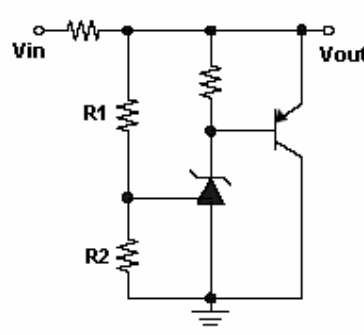
$I_{out} = V_{ref} / R_{cl}$

Figure 6. Current limiter or Current Source



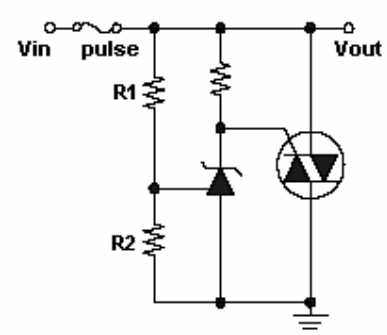
$I_{out} = V_{ref} / R_s$

Figure 7. Constant Current Sink



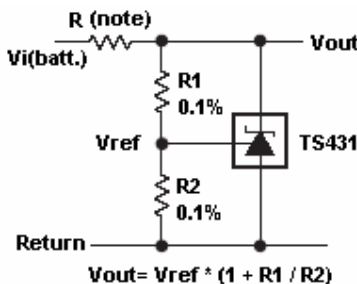
$V_{out} = V_{ref} * (1 + R1 / R2)$

Figure 8. Higher Current Shunt



$\text{Limit} = V_{ref} * (1 + R1 / R2)$

Figure 9. Crow Bar



$V_{out} = V_{ref} * (1 + R1 / R2)$

note: R should provide cathode current $> 1\text{mA}$ to the TS431 at minimum $V_{i(\text{batt.})}$

Figure 10. Shunt Regulator

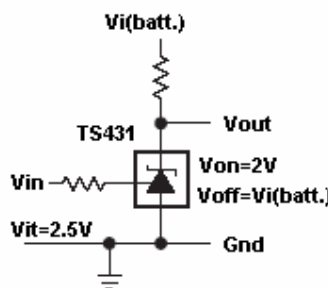
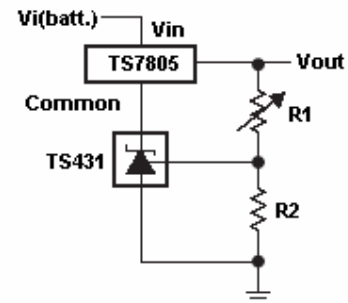


Figure 11. Single Supply Comparator v.s. Temp.-Compensated Threshold



$V_{out} = V_{ref} * (1 + R1 / R2)$
 minimum $V_{out} = V_{ref} + 5V$

Figure 12. Output Control of a Three-Terminal Fixed Regulator

Application Examples

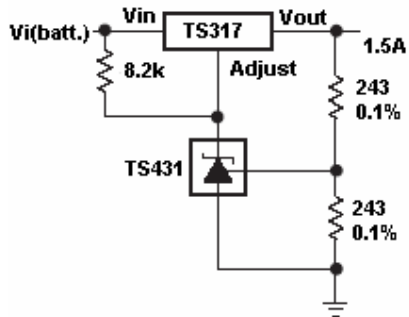


Figure 13. Precision 5V/1.5A regulator

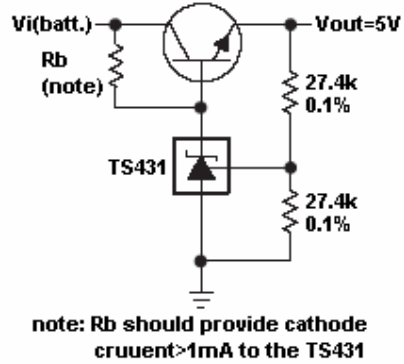


Figure 14. Efficient 5V Precision Regulator

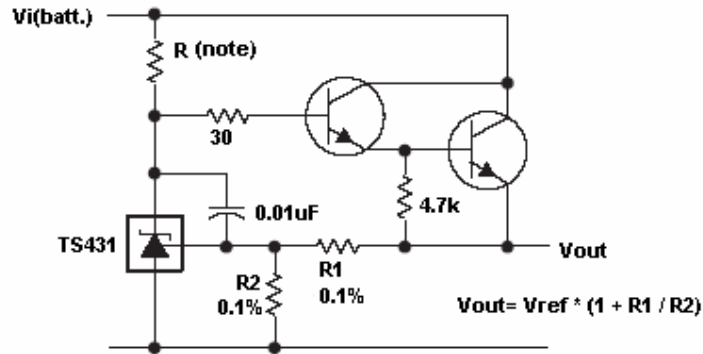
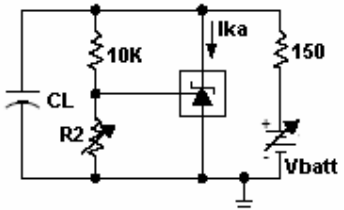
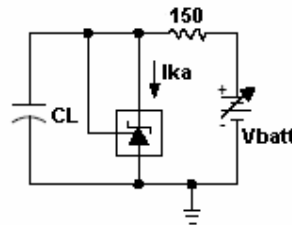
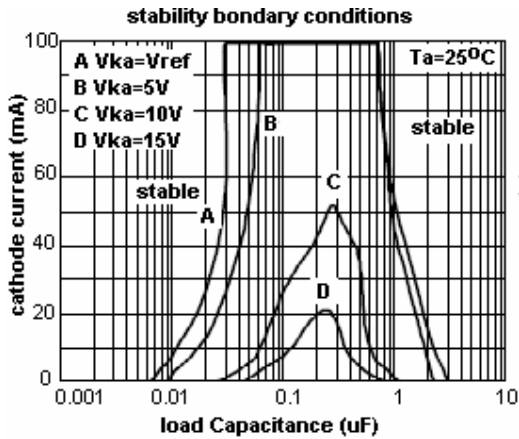
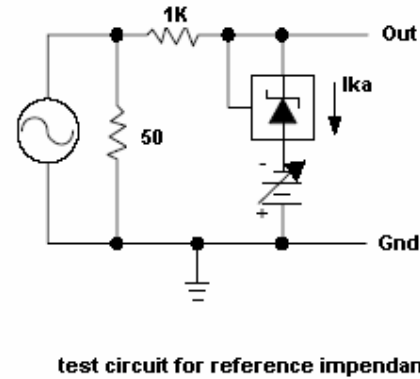
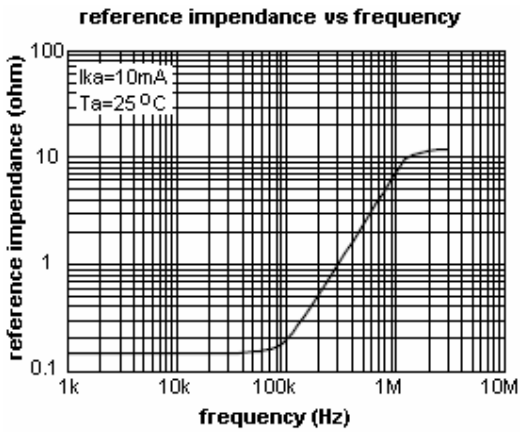
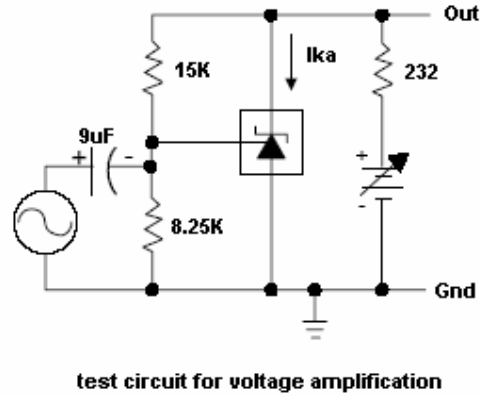
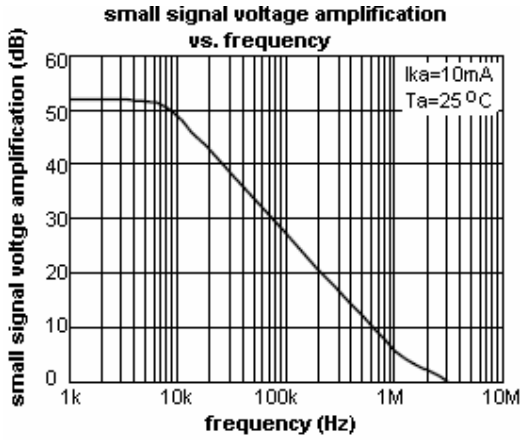


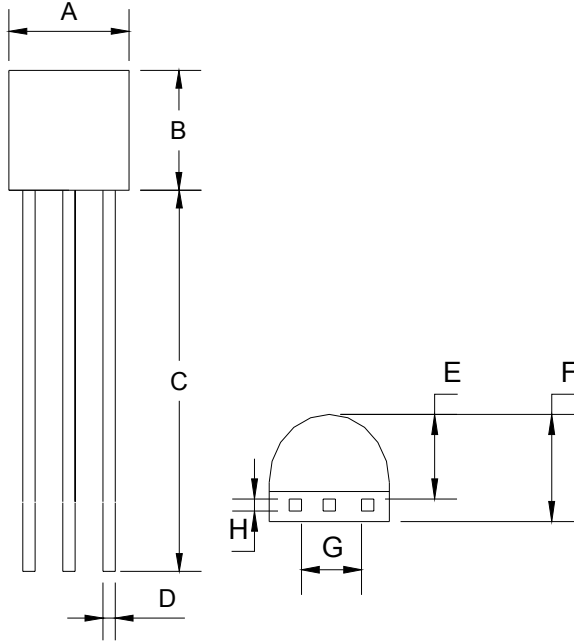
Figure 15. Precision High Current Series Regulator

Typical Performance Characteristics



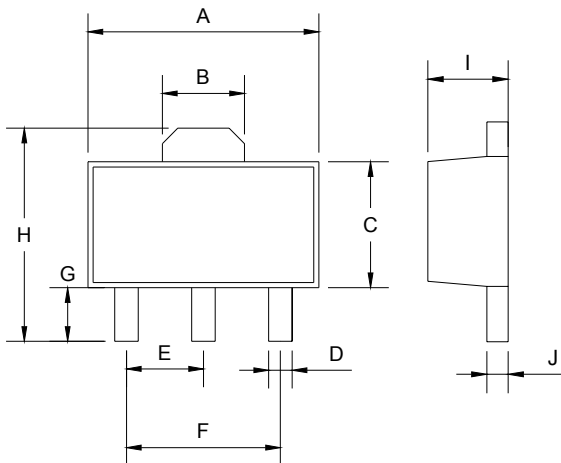
the area under the curves represent conditions that may cause the device to oscillate. for curves B, C and D, R2 and V+ were adjusted to establish the initial Vka and Ika conditions with CL=0. Vbatt and CL were then adjusted to determine the ranges of stability.

TO-92 Mechanical Drawing



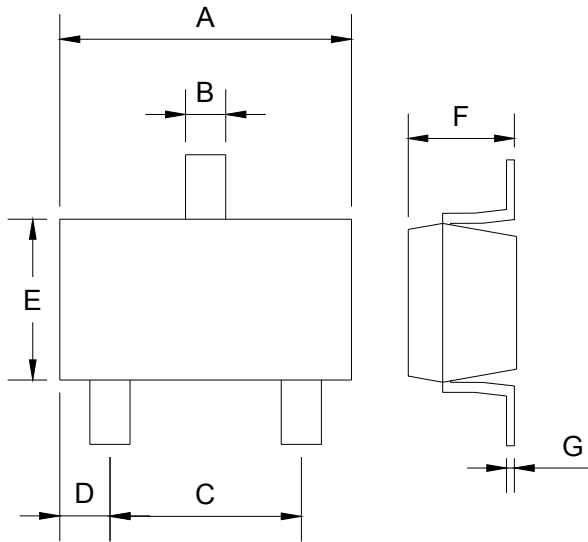
| TO-92 DIMENSION | | | | |
|-----------------|-------------|------|------------|-------|
| DIM | MILLIMETERS | | INCHES | |
| | MIN | MAX | MIN | MAX |
| A | 4.30 | 4.70 | 0.169 | 0.185 |
| B | 4.30 | 4.70 | 0.169 | 0.185 |
| C | 14.30(typ) | | 0.563(typ) | |
| D | 0.43 | 0.49 | 0.017 | 0.019 |
| E | 2.19 | 2.81 | 0.086 | 0.111 |
| F | 3.30 | 3.70 | 0.130 | 0.146 |
| G | 2.42 | 2.66 | 0.095 | 0.105 |
| H | 0.37 | 0.43 | 0.015 | 0.017 |

SOT-89 Mechanical Drawing



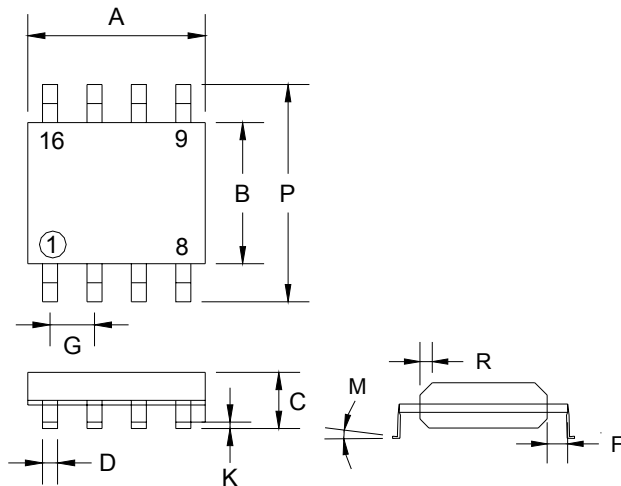
| SOT-89 DIMENSION | | | | |
|------------------|-------------|------|--------|-------|
| DIM | MILLIMETERS | | INCHES | |
| | MIN | MAX | MIN | MAX |
| A | 4.40 | 4.60 | 0.173 | 0.181 |
| B | 1.50 | 1.7 | 0.059 | 0.070 |
| C | 2.30 | 2.60 | 0.090 | 0.102 |
| D | 0.40 | 0.52 | 0.016 | 0.020 |
| E | 1.50 | 1.50 | 0.059 | 0.059 |
| F | 3.00 | 3.00 | 0.118 | 0.118 |
| G | 0.89 | 1.20 | 0.035 | 0.047 |
| H | 4.05 | 4.25 | 0.159 | 0.167 |
| I | 1.4 | 1.6 | 0.055 | 0.068 |
| J | 0.35 | 0.44 | 0.014 | 0.017 |

SOT-23 Mechanical Drawing



| SOT-23 DIMENSION | | | | |
|------------------|-------------|------|--------|-------|
| DIM | MILLIMETERS | | INCHES | |
| | MIN | MAX | MIN | MAX |
| A | 2.88 | 2.91 | 0.113 | 0.115 |
| B | 0.39 | 0.42 | 0.015 | 0.017 |
| C | 1.78 | 2.03 | 0.070 | 0.080 |
| D | 0.51 | 0.61 | 0.020 | 0.024 |
| E | 1.59 | 1.66 | 0.063 | 0.065 |
| F | 1.04 | 1.08 | 0.041 | 0.043 |
| G | 0.07 | 0.09 | 0.003 | 0.004 |

SOP-8 Mechanical Drawing



| SOP-8 DIMENSION | | | | |
|-----------------|-------------|------|------------|-------|
| DIM | MILLIMETERS | | INCHES | |
| | MIN | MAX | MIN | MAX |
| A | 4.80 | 5.00 | 0.189 | 0.196 |
| B | 3.80 | 4.00 | 0.150 | 0.157 |
| C | 1.35 | 1.75 | 0.054 | 0.068 |
| D | 0.35 | 0.49 | 0.014 | 0.019 |
| F | 0.40 | 1.25 | 0.016 | 0.049 |
| G | 1.27 (typ) | | 0.05 (typ) | |
| K | 0.10 | 0.25 | 0.004 | 0.009 |
| M | 0° | 7° | 0° | 7° |
| P | 5.80 | 6.20 | 0.229 | 0.244 |
| R | 0.25 | 0.50 | 0.010 | 0.019 |