



SOT-25



Pin Definition:

1. Input
2. Ground
3. Enable
4. Bypass
5. Output

SOT-23



Pin Definition:

1. Input
2. Output
3. Ground

General Description

The TS9008 is a low dropout, high PSRR, low noise linear regulator with very low quiescent. It can supply 300mA output current with low dropout about 250mV. The Device includes pass element, error amplifier, band-gap, current-limit and thermal shutdown circuitry. The characteristics of low dropout voltage and less quiescent current make it good for some critical current application, for example, some battery powered devices. The typical quiescent current is approximately 30 μ A. In the shutdown mode, the maximum supply current is less than 1 μ A. Built-in current-limit and thermal-shutdown functions prevent any fault condition from IC damage

Features

- Input voltage range 2.8V~5.5V
- 250mV dropout at 300mA load
- 300mA output Current
- Low quiescent current 30 μ A (Typ.)
- Max. supply current <1 μ A at shutdown mode
- Fixed output voltage
- Current limit and thermal shutdown protection
- High PSRR 73db @ 1kHz

Ordering Information

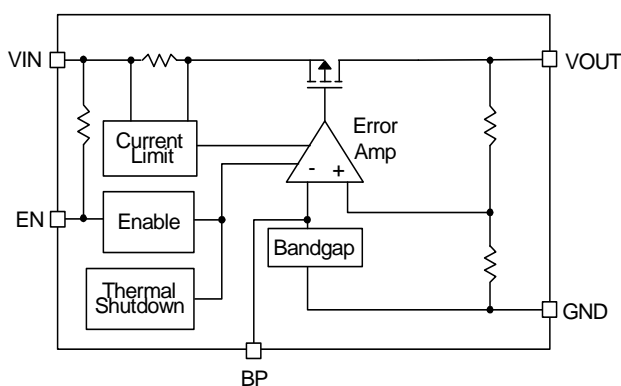
Part No.	Package	Packing
TS9008 \underline{x} CX RFG	SOT-23	3kpcs / 7" Reel
TS9008 \underline{x} CX5 RFG	SOT-25	3kpcs / 7" Reel

Note: "G" denote for Halogen Free Product
Where \underline{x} denotes voltage option, available are
D = 1.8V, **S** = 3.3V

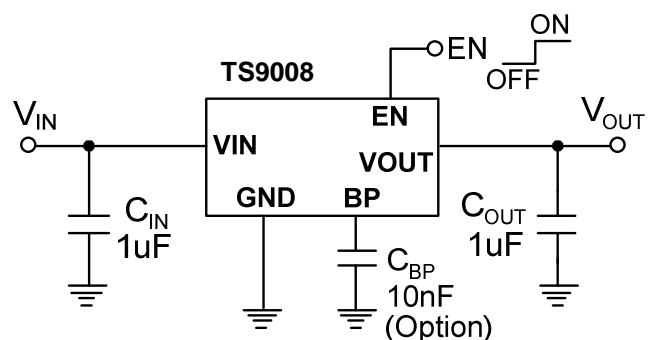
Applications

- Palmtops, PDA and Notebook Computers
- DSC, Handset Camera Modules
- PCMCIA Cards, PC Cameras
- USB Based Portable Devices (MPS, PMP)
- GSM/GPRS/3G RF Transceiver Modules

Block Diagram



Typical Application Circuit



Absolute Maximum Ratings

Parameter	Symbol	Limit	Unit
VIN Pin Voltage	V_{IN}	GND - 0.3 to GND + 6	V
Output Voltage	V_{OUT}	GND - 0.3 to VIN + 0.3	V
Enable Voltage	V_{EN}	GND - 0.3 to GND + 6	V
Power Dissipation	P_D	350	mW
Storage Temperature Range	T_{STG}	-40 to +150	°C
Operating Temperature Range	T_{OP}	-40 to +85	°C
Junction Temperature	T_J	-40 to +125	°C
Thermal Resistance from Junction to case	$R_{\theta JC}$	230	°C/W
Thermal Resistance from Junction to ambient	$R_{\theta JA}$	280	°C/W

Note: $R_{\theta JA}$ is measured with the PCB copper area of approximately 1 in² (Multi-layer).

Electrical Characteristics

($V_{IN}=V_{OUT}+1V$ or $V_{IN}=2.8V$ whichever is greater, $C_{IN}=C_{OUT}=1\mu F$, $T_A=25^\circ C$, unless otherwise noted)

Characteristics	Symbol	Conditions	Min	Typ	Max	Units	
Input Voltage	V_{IN}	(Note1)	2.8	--	5.5	V	
Output Voltage Accuracy	ΔV_{OUT}	$I_{OUT}=1mA$	-2	--	+2	%	
Quiescent Current	I_Q	$I_{OUT}=0mA$	--	30	60	μA	
Dropout Voltage (Note2)	V_{DROP}	$I_{OUT}=300mA$	$1.5V < V_{OUT} \leq 2.0V$	--	1000	--	mV
			$2.8V < V_{OUT} \leq 3.3V$	--	250	--	
Current Limit	I_{LIMIT}	$R_{LOAD}=1\Omega$	300	--	--	mA	
Line Regulation	ΔV_{LINE}	$I_{OUT}=1mA$, $V_{IN}=V_{OUT}+1V$ to 5V	--	1	5	mV	
Load Regulation (Note3)	ΔV_{LOAD}	$I_{OUT}=0m\sim 150mA$	--	6	20	mV	
Ripple Rejection	PSRR	$C_{OUT}=1\mu F$, $I_{OUT}=1mA$	F=1KHz	--	73	--	dB
			F=10K	--	60	--	
Enable Input Threshold	V_{ENH}		1.4	--	--	V	
	V_{ENL}		--	--	0.4		
Enable Pin Current	I_{EH}	$V_{EN}=V_{IN}$	--	--	0.1	μA	
Shutdown Current	I_{SD}	$V_{IN}=3.6V$, $V_{EN}=0V$	--	--	1	μA	
Temperature Coefficient	T_C	$I_{OUT}=1mA$, $V_{IN}=5V$	--	50	--	ppm/°C	
Temperature Shutdown	T_S		--	160	--	°C	
Temperature Shutdown Hysteresis	T_{SH}		--	25	--	°C	

Note:

1. Minimum V_{IN} voltage is defined by output adds a dropout voltage.
2. The dropout voltage is defined as $V_{IN}-V_{OUT}$, which is measured when V_{OUT} drop about 100mV.
3. Regulation is measured at constant junction temperature by using pulsed testing with a low ON time.

Function Description

A minimum of 1 μ F capacitor must be connected from V_{OUT} to ground to insure stability. Typically a large storage capacitor is connected from V_{IN} to ground to ensure that the input voltage does not sag below the minimum dropout voltage during the load transient response. This pin must always be dropout voltage higher than V_{OUT} in order for the device to regulate properly

Application Information

Like any low-dropout regulator, the TS9008 requires input and output decoupling capacitors. The device is specifically designed for portable applications requiring minimum board space and smallest components. These capacitors must be correctly selected for good performance. Please note that linear regulators with a low dropout voltage have high internal loop gains which require care in guarding against oscillation caused by insufficient decoupling capacitance.

Capacitor Selection

Normally, use a 1 μ F capacitor on the input and a 1 μ F capacitor on the output of the TS9008. Larger input capacitor values and lower ESR provide better supply-noise rejection and transient response. A large value output capacitor may be necessary if large, fast transients are anticipated and the device is located several inches from the power source. The capacitors is recommended to use 1 μ F X5R or X7R dielectric ceramic capacitors with 30m Ω to 50m Ω ESR range between device outputs to ground for transient stability.

Input-Output (Dropout) Voltage

A regulator's minimum input-to-output voltage differential (dropout voltage) determines the lowest usable supply voltage. In battery-powered systems, this determines the useful end-of-life battery voltage. Because the device uses a PMOS, its dropout voltage is a function of drain-to source on-resistance, $R_{DS(ON)}$, multiplied by the load current:

$$V_{DROPOUT} = V_{IN} - V_{OUT} = R_{DS(ON)} \times I_{OUT}$$

Current limit and Thermal Shutdown Protection

In order to prevent overloading or thermal condition from damaging the device, TS9008 regulator has internal thermal and current limiting functions designed to protect the device. It will rapidly shut off PMOS pass element during overloading or over temperature condition.

Thermal Considerations

The TS9008 series can deliver a current of up to 300mA over the full operating junction temperature range. However, the maximum output current must be dated at higher ambient temperature to ensure the junction temperature does not exceed 125°C. With all possible conditions, the junction temperature must be within the range specified under operating conditions. Power dissipation can be calculated based on the output current and the voltage drop across regulator.

$$P_D = (V_{IN} - V_{OUT}) I_{OUT}$$

The final operating junction temperature for any set of conditions can be estimated by the following thermal equation:

$$P_{D(MAX)} = (T_{J(MAX)} - T_A) / R_{\theta JA}$$

Where $T_{J(MAX)}$ is the maximum junction temperature of the die (125°C) and T_A is the maximum ambient temperature. The junction to ambient thermal resistance ($R_{\theta JA}$) for SOT-25 package at recommended minimum footprint is 250°C/W.

PCB Layout

An input capacitance 1 μ F is required between the TS9008 input pin and ground (the amount of the capacitance may be increased without limit), this capacitor must be located a distance of not more than 1cm from the input and return to a clean analog ground. Input capacitor can filter out the input voltage spike caused by the surge current due to the inductive effect of the package pin and the printed circuit board's routing wire. Otherwise, the actual voltage at the VIN pin may exceed the absolute maximum rating. The output capacitor also must be located a distance of not more than 1cm from output to a clean analog ground. Because it can filter out the output spike caused by the surge current due to the inductive effect of the package pin and the printed circuit board's routing wire.

Electrical Characteristics Curve

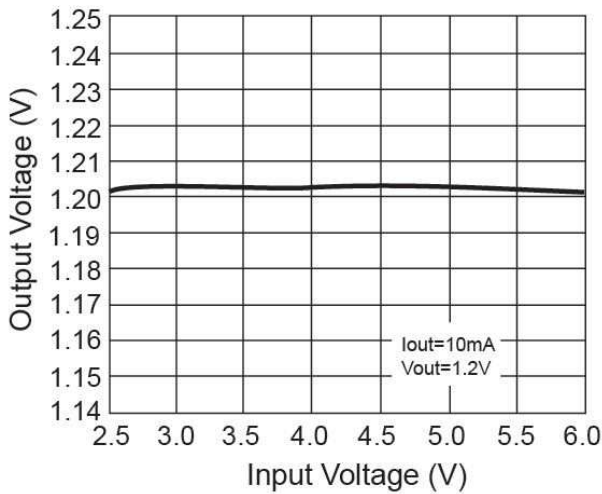


Figure 1. Output Voltage vs. Input Voltage

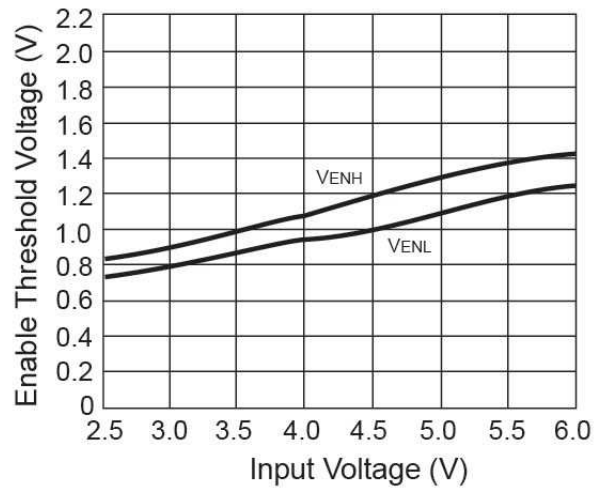


Figure 2. Threshold Voltage vs. Input Voltage

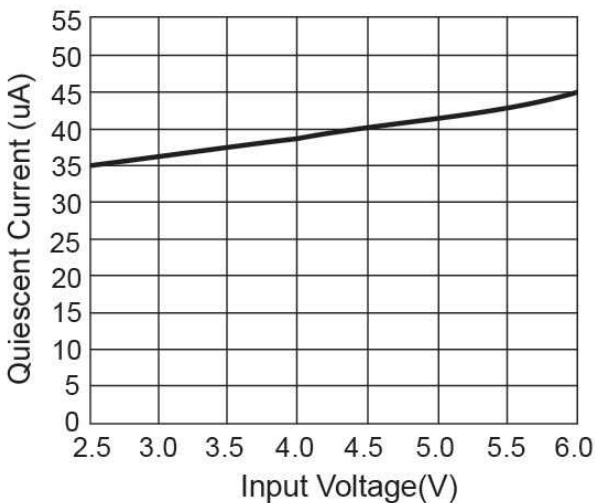


Figure 3. Quiescent Current vs. Input Voltage

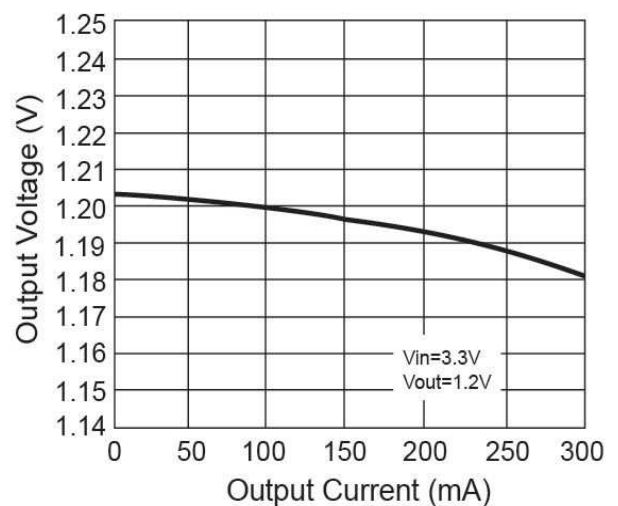


Figure 4. Output Current vs. Output Voltage

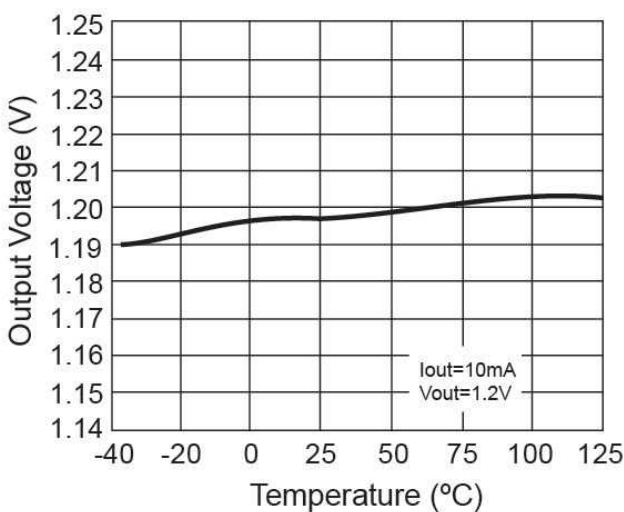


Figure 5. Output Voltage vs. Temperature

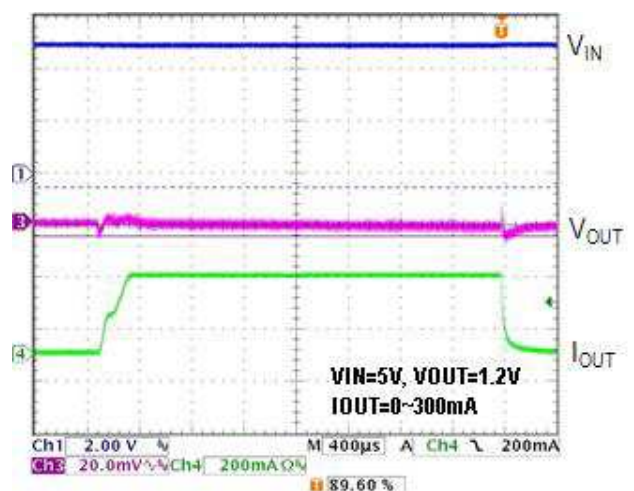


Figure 6. Load Transient Response

Electrical Characteristics Curve

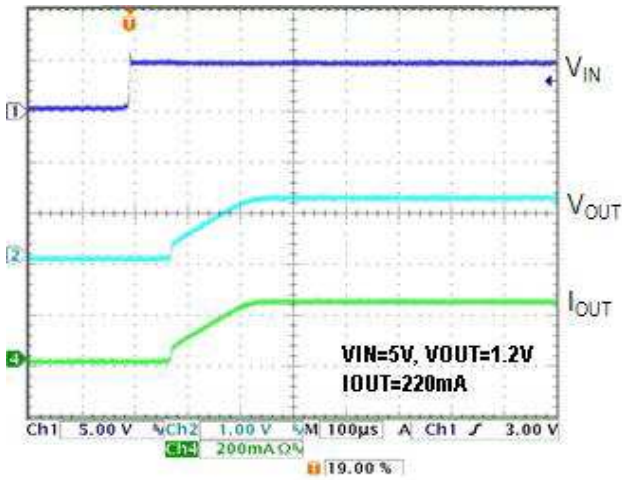


Figure 7. Power ON

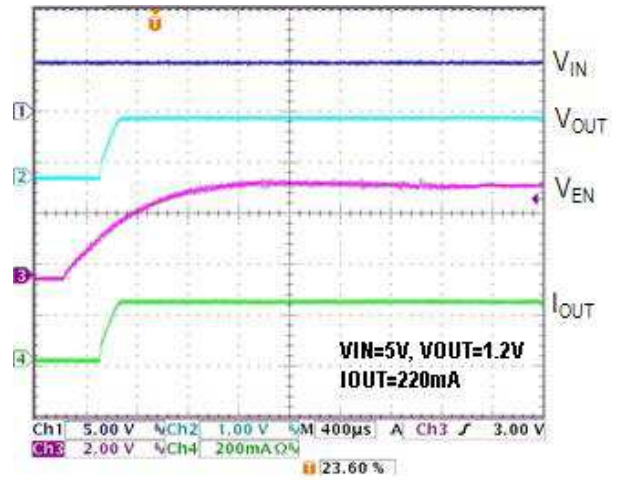
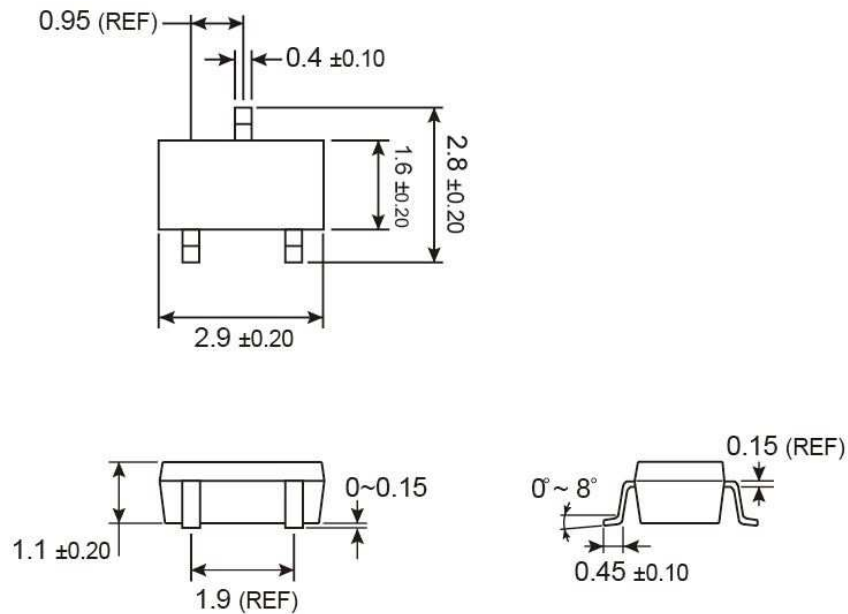


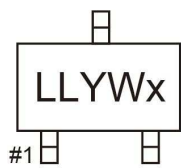
Figure 8. Enable ON

SOT-23 Mechanical Drawing



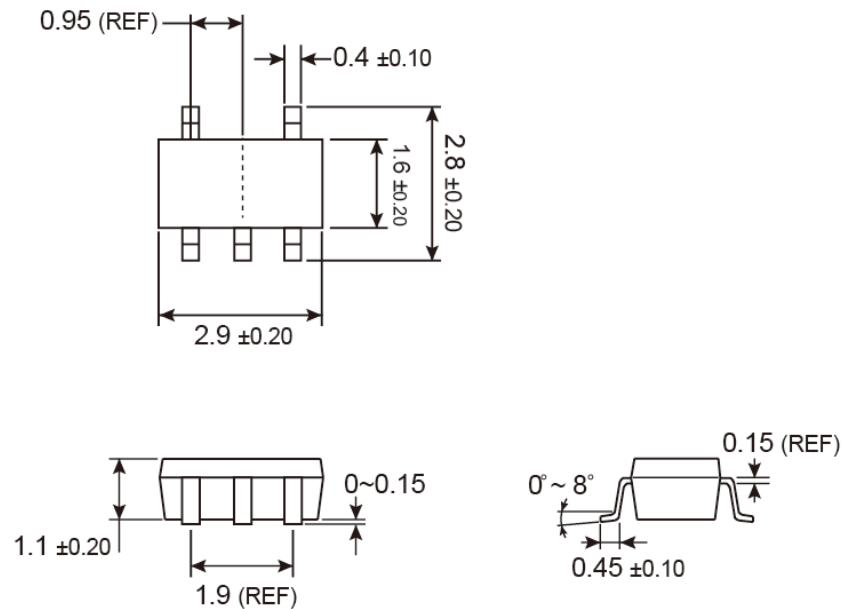
Unit: Millimeters

Marking Diagram



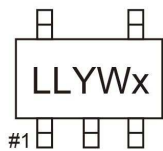
- LL** = Device Code
BD=1.8V
BH=3.3V
- Y** = Year Code
4=2014, 5=2015, 6=2016.....
- W** = Week Code
01~26 (A~Z)
27~52 (a~z)
- x** = Interl Code

SOT-25 Mechanical Drawing



Unit: Millimeters

Marking Diagram



- LL** = Device Code
UD=1.8V
UI=3.3V
- Y** = Year Code
4=2014, 5=2015, 6=2016.....
- W** = Week Code
01~26 (A~Z)
27~52 (a~z)
- x** = Interal Code

Notice

Specifications of the products displayed herein are subject to change without notice. TSC or anyone on its behalf, assumes no responsibility or liability for any errors or inaccuracies.

Information contained herein is intended to provide a product description only. No license, express or implied, to any intellectual property rights is granted by this document. Except as provided in TSC's terms and conditions of sale for such products, TSC assumes no liability whatsoever, and disclaims any express or implied warranty, relating to sale and/or use of TSC products including liability or warranties relating to fitness for a particular purpose, merchantability, or infringement of any patent, copyright, or other intellectual property right.

The products shown herein are not designed for use in medical, life-saving, or life-sustaining applications. Customers using or selling these products for use in such applications do so at their own risk and agree to fully indemnify TSC for any damages resulting from such improper use or sale.