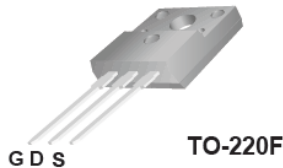


TSF50R240S1

500V 18A N-Channel SJ-MOSFET

General Description

Truesemi SJ-FET is new generation of high voltage MOSFET family that is utilizing an advanced charge balance mechanism for outstanding low on-resistance and lower gate charge performance. This advanced technology has been tailored to minimize conduction loss, provide superior switching performance, and withstand extreme dv/dt rate and higher avalanche energy. SJ-FET is suitable for various AC/DC power conversion in switching mode operation for higher efficiency.



Features

- 550V @T_J = 150 °C
- Typ. R_{DS(on)} = 0.21Ω
- Ultra Low gate charge (typ. Q_g = 43nC)
- 100% avalanche tested



Absolute Maximum Ratings

Symbol	Parameter	Value	Unit
V _{DSS}	Drain-Source Voltage	500	V
I _D	Drain Current -Continuous (TC = 25°C) -Continuous (TC = 100°C)	18* 11*	A
I _{DM}	Drain Current – Pulsed (Note 1)	55*	A
V _{GSS}	Gate-Source voltage	±30	V
E _{AS}	Single Pulsed Avalanche Energy (Note 2)	284	mJ
I _{AR}	Avalanche Current (Note 1)	2.4	A
E _{AR}	Repetitive Avalanche Energy (Note 1)	0.43	mJ
dv/dt	Peak Diode Recovery dv/dt (Note 3)	15	V/ns
P _D	Power Dissipation (TC = 25°C)	34	W
T _J , T _{STG}	Operating and Storage Temperature Range	-55 to +150	°C
T _L	Maximum Lead Temperature for Soldering Purpose, 1/8" from Case for 5 Seconds	300	°C

* Drain current limited by maximum junction temperature.

Thermal Characteristics

Symbol	Parameter	Value	Unit
R _{θJC}	Thermal Resistance, Junction-to-Case	3.9	°C/W
R _{θCS}	Thermal Resistance, Case-to-Sink Typ.	--	°C/W
R _{θJA}	Thermal Resistance, Junction-to-Ambient	80	°C/W

Electrical Characteristics TC = 25 °C unless otherwise noted

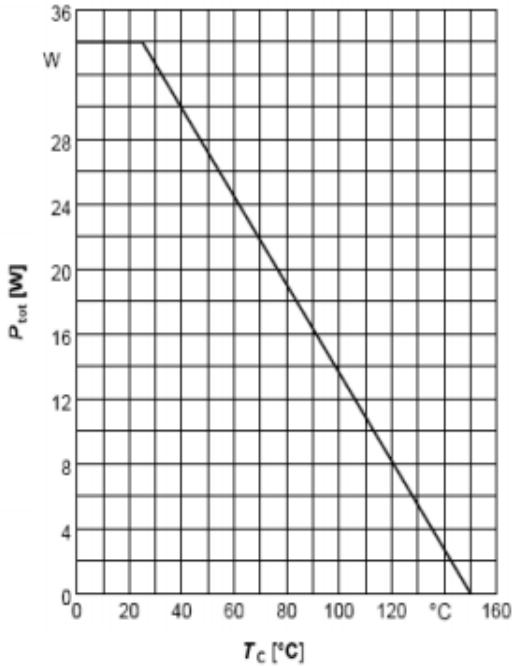
Symbol	Parameter	Conditions	Min	Typ	Max	Unit
Off Characteristics						
BV _{DSS}	Drain-Source Breakdown Voltage	V _{GS} = 0V, I _D = 250μA, T _J = 25 °C	500	--	--	V
		V _{GS} = 0V, I _D = 250μA, T _J = 150 °C	--	550	--	V
ΔBV _{DSS} / ΔT _J	Breakdown Voltage Temperature Coefficient	I _D = 250μA, Referenced to 25 °C	--	0.6	--	V/°C
I _{DSS}	Zero Gate Voltage Drain Current	V _{DS} = 500V, V _{GS} = 0V, -T _J = 150 °C	--	--	1 10	μA μA
I _{GSSF}	Gate-Body Leakage Current, Forward	V _{GS} = 30V, V _{DS} = 0V	--	--	100	nA
I _{GSSR}	Gate-Body Leakage Current, Reverse	V _{GS} = -30V, V _{DS} = 0V	--	--	-100	nA
On Characteristics						
V _{GS(th)}	Gate Threshold Voltage	V _{DS} = V _{GS} , I _D = 250μA	2.5	--	4.5	V
R _{DS(on)}	Static Drain-Source On-Resistance	V _{GS} = 10V, I _D = 9A	--	0.21	0.24	Ω
g _{FS}	Forward Trans conductance	V _{DS} = 40V, I _D = 18A	--	16	--	S
R _g	Gate resietance	f = 1MHz, open drain	--	3.5	--	Ω
Dynamic Characteristics						
C _{iss}	Input Capacitance	V _{DS} = 25V, V _{GS} = 0V, f = 1.0MHz	--	800	--	pF
C _{oss}	Output Capacitance		--	180	--	pF
C _{riss}	Reverse Transfer Capacitance		--	8	--	pF
t _{d(on)}	Turn-On Delay Time	V _{DD} = 400V, I _D = 9A R _G = 20Ω (Note 4)	--	13	--	ns
t _r	Turn-On Rise Time		--	11	--	ns
t _{d(off)}	Turn-Off Delay Time		--	100	--	ns
t _f	Turn-Off Fall Time		--	12	--	ns
Q _g	Total Gate Charge	V _{DS} = 480V, I _D = 9A V _{GS} = 10V (Note 4)	--	43	--	nC
Q _{gs}	Gate-Source Charge		--	5	--	nC
Q _{gd}	Gate-Drain Charge		--	22	--	nC
Drain-Source Diode Characteristics and Maximum Ratings						
I _S	Maximum Continuous Drain-Source Diode Forward Current		--	--	12	A
I _{SM}	Maximum Pulsed Drain-Source Diode Forward Current		--	--	40	A
V _{SD}	Drain-Source Diode Forward Voltage	V _{GS} = 0V, I _F = 9A	--	--	1.5	V
t _{rr}	Reverse Recovery Time	V _{GS} = 0V, I _F = 9A di _F /dt = 100A/μs	--	345	--	ns
Q _{rr}	Reverse Recovery Charge		--	4.5	--	μC

NOTES:

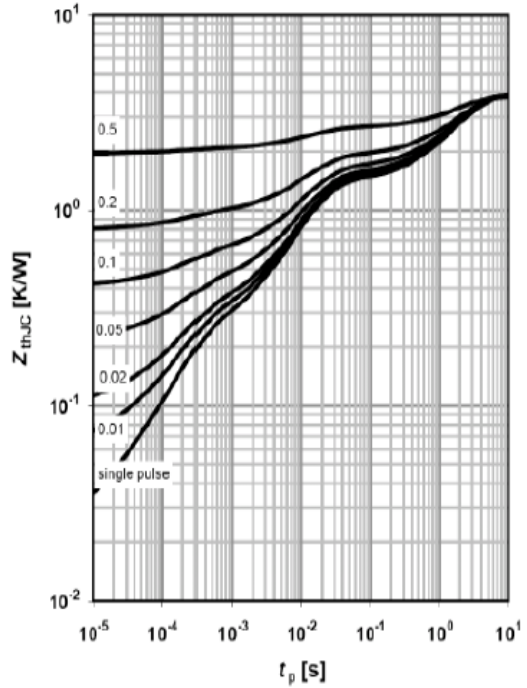
1. Repetitive Rating: Pulse width limited by maximum junction temperature
2. I_{AS}=2.4A, V_{DD}=50V, Starting T_J=25 °C
3. I_{SD}≤18A, di/dt ≤ 200A/μs, V_{DD} ≤ BV_{DSS}, Starting T_J = 25 °C
4. Essentially Independent of Operating Temperature Typical Characteristics

Typical Performance Characteristics

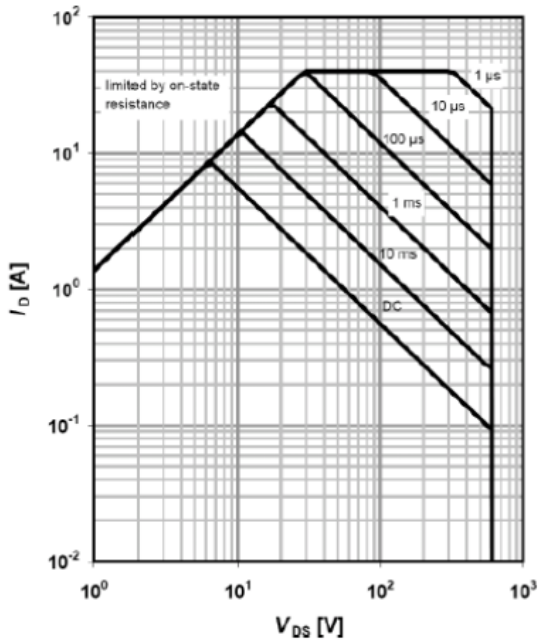
Power dissipation



Max. transient thermal impedance

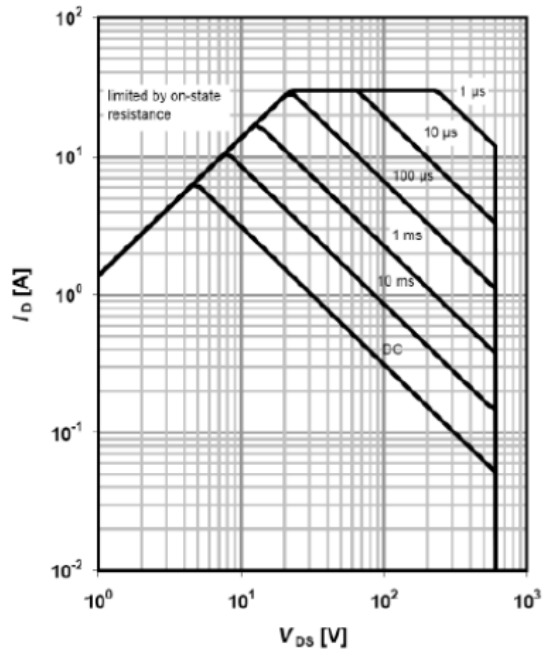


Safe operating area $T_C=25^\circ\text{C}$



$I_D=f(V_{DS}); T_C=25^\circ\text{C}; V_{GS} > 7\text{V};$
 $D=0; \text{parameter } t_p$

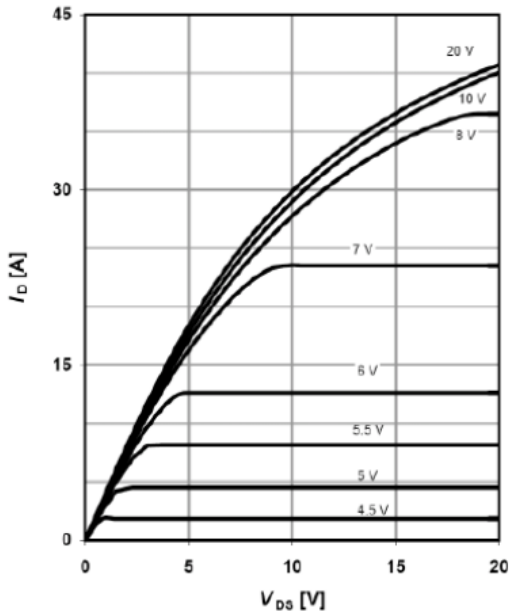
Safe operating area $T_C=80^\circ\text{C}$



$I_D=f(V_{DS}); T_C=80^\circ\text{C}; V_{GS} > 7\text{V};$
 $D=0; \text{parameter } t_p$

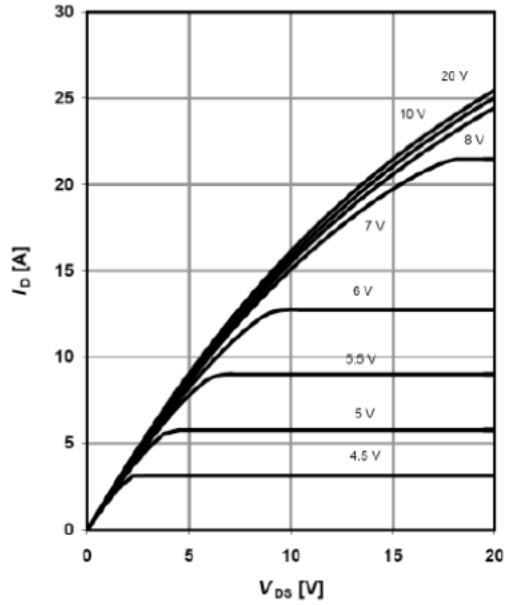
Typical Performance Characteristics

Typ. output characteristic



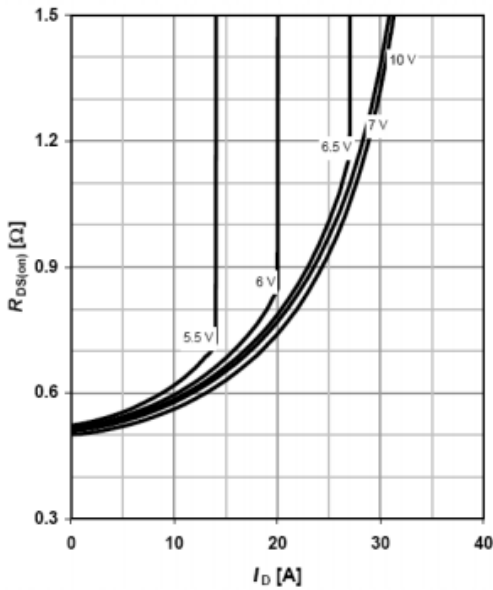
$I_D = f(V_{DS}); T_j = 25\text{ }^\circ\text{C};$
parameter $t_p = 10\text{ }\mu\text{s}, V_{GS}$

Typ. output characteristic



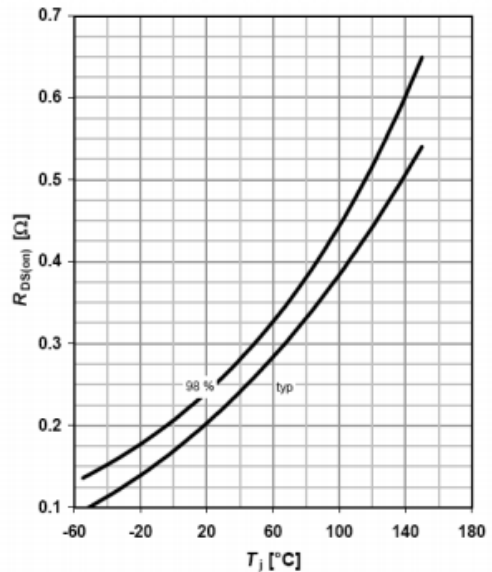
$I_D = f(V_{DS}); T_j = 125\text{ }^\circ\text{C};$
parameter $t_p = 10\text{ }\mu\text{s}, V_{GS}$

Typ. Drain-Source on resistance



$R_{Dson} = f(I_D); T_j = 125\text{ }^\circ\text{C};$ parameter V_{GS}

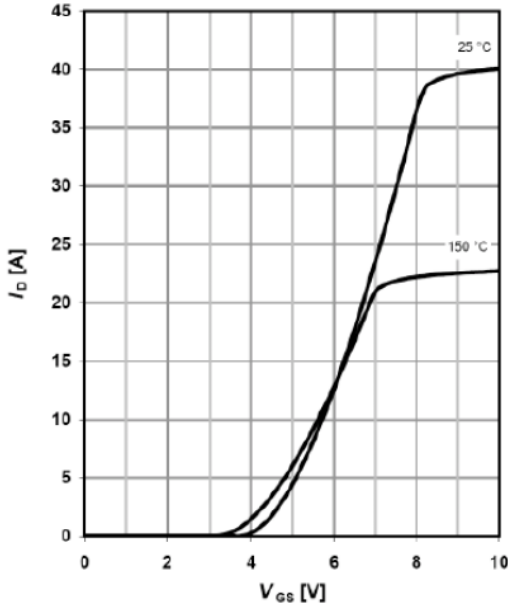
Typ. Drain-Source on resistance



$R_{Dson} = f(T_j); T_j = 125\text{ }^\circ\text{C};$ parameter $I_D = 6.5\text{ A}, V_{GS} = 10\text{ V}$

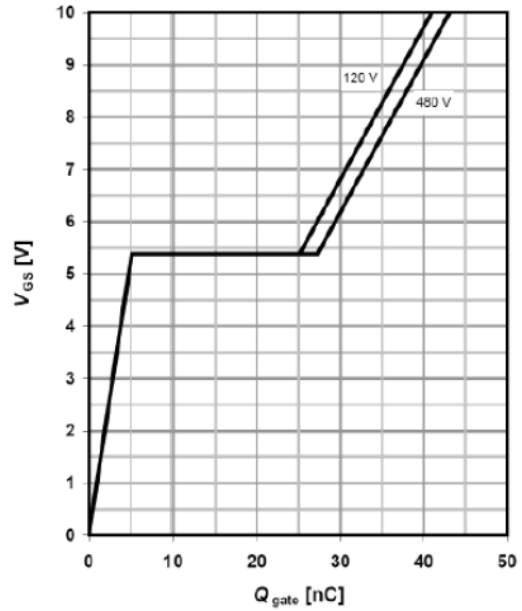
Typical Performance Characteristics

Typ. Transfer characteristic



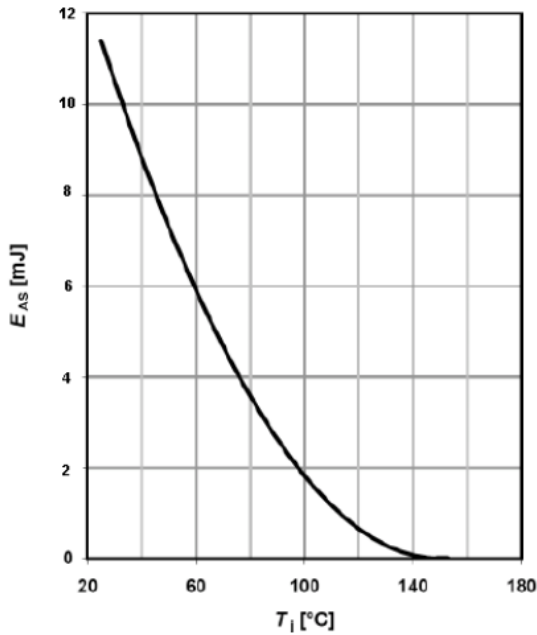
$I_D=f(V_{DS})$; $V_{DS}>20V$;
parameter $t_p=10\mu s$,

Typ. gate charge



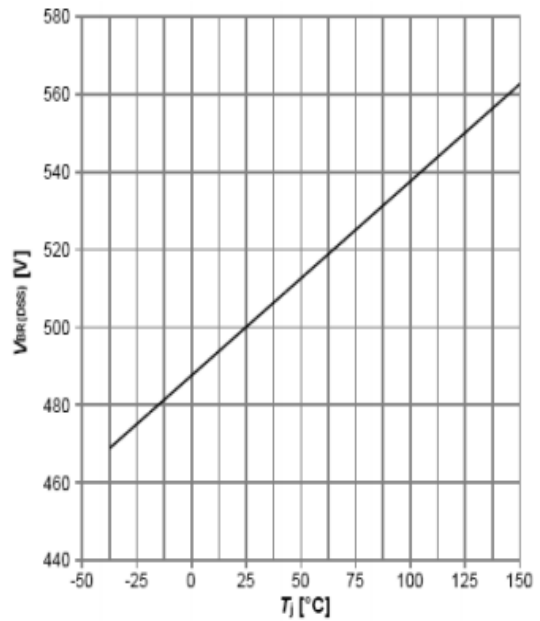
$V_{GS}=f(Q_g)$, $I_D=6.5 A$ pulsed

Avalanche energy



$E_{AS}=f(T_j)$; $I_D=2.4 A$; $V_{DD}=50 V$

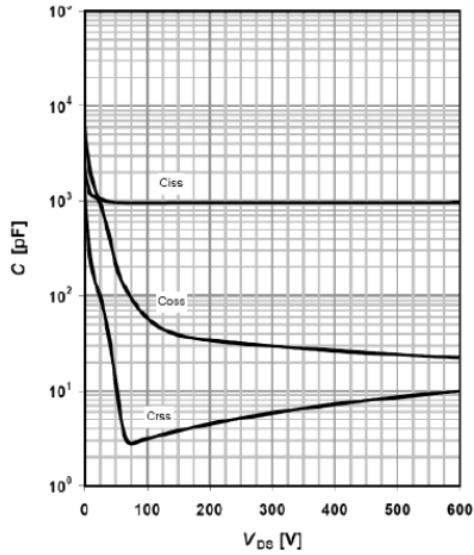
Drain-source breakdown voltage



$V_{BR(DSS)}=f(T_j)$; $I_D=1mA$

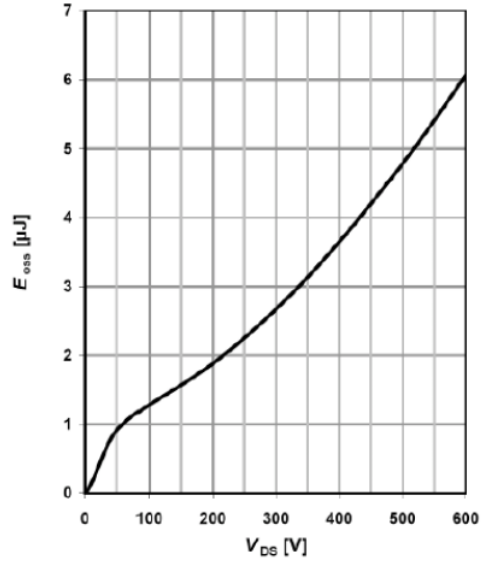
Typical Performance Characteristics

Typ. capacitances



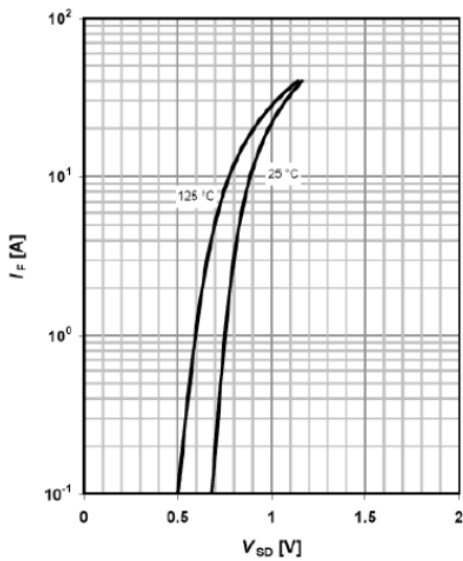
$$C=f(V_{DS}); V_{GS}=0\text{ V}; f=1\text{ MHz}$$

Typ. C_{oss} stored energy



$$E_{OSS}=f(V_{DS})$$

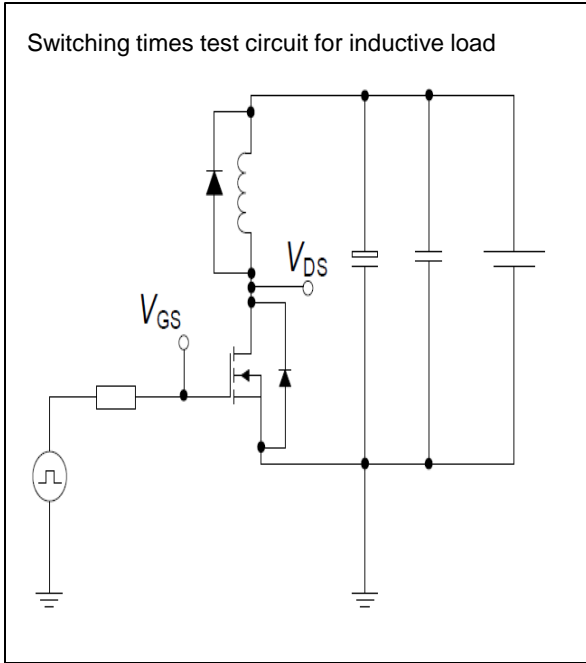
Forward characteristics of reverse diode



$$I_F=f(V_{SD}); \text{parameter: } T_j$$

Test circuits

Switching times test circuit and waveform for inductive load

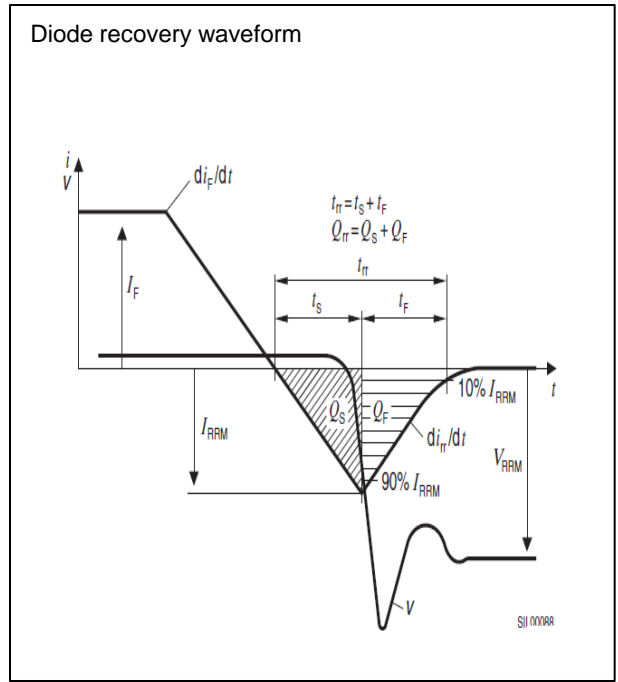
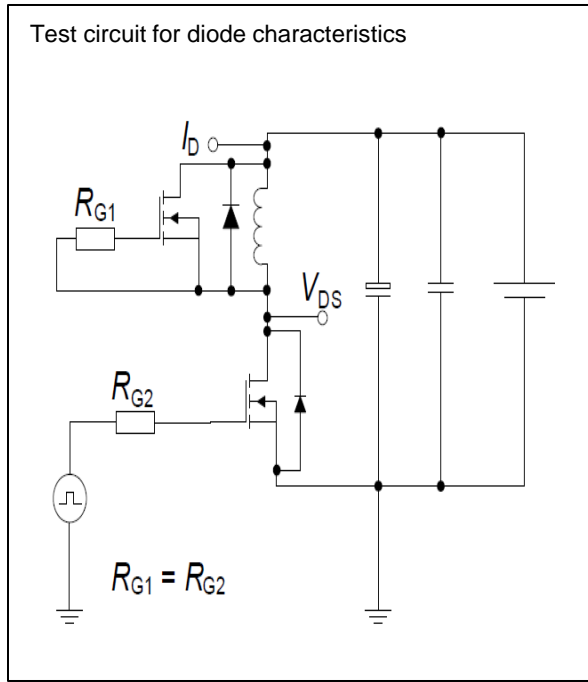


Unclamped inductive load test circuit and waveform



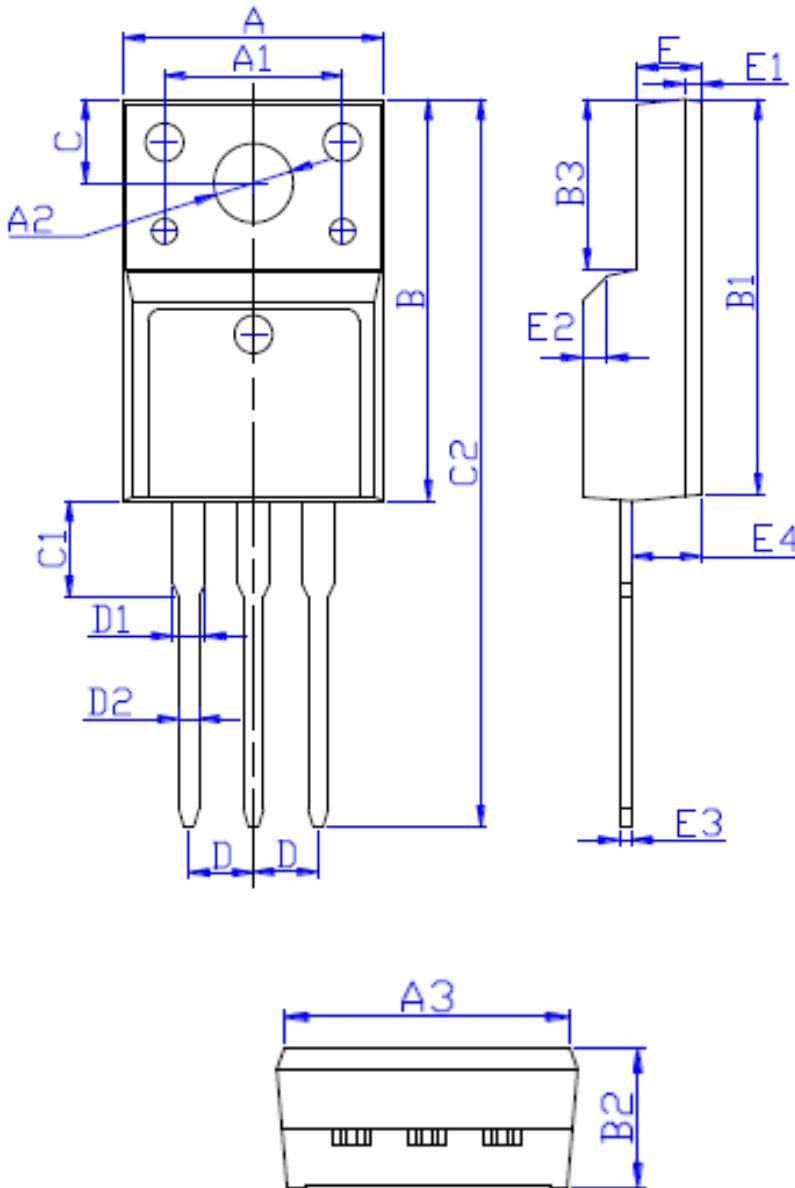
Test circuits

Test circuit and waveform for diode characteristics



Package Outline TO-220F

TSF50R240S1 500V 18A N-Channel SJ-MOSFET



DIM	MILLIMETERS
A	10.16 ± 0.30
A1	7.00 ± 0.20
A2	3.12 ± 0.20
A3	9.70 ± 0.30
B	15.90 ± 0.50
B1	15.60 ± 0.50
B2	4.70 ± 0.30
B3	6.70 ± 0.30
C	3.30 ± 0.25
C1	3.25 ± 0.30
C2	28.70 ± 0.50
D	Typical 2.54
D1	1.47 (MAX)
D2	0.80 ± 0.20
E	2.55 ± 0.25
E1	0.70 ± 0.25
E2	1.0 × 45°
E3	0.50 ± 0.20
E4	2.75 ± 0.30