

0805 Package Chip LED

Features

- Package in 8mm tape on 7" diameter reel
- Compatible with automatic placement equipment
- Compatible with infrared and vapor phase reflow solder process
- Mono-color type
- RoHS compliance



QSLP2QF2



Applications

- Automotive: Backlighting in dashboards and switch
- Telecommunication: indicator and backlighting in telephone and fax
- Flat backlight for LCD, switches and symbols
- General Use

Descriptions

- This SMD Taping is much smaller than leaded components, thus enable smaller board higher packing density, reduced storage space and finally smaller equipment to be obtained.
- Light weight makes them ideal for miniature applications

Device Selection Guide

Part No.	Chip		Lens Color
	Material	Emitted Color	
TSP2-QF2012A3	AlGaInP	Hyper Red	Water Clear

Absolute Maximum Ratings ($T_a=25^{\circ}\text{C}$)

Parameter	Symbol	Value	Unit
Reverse Voltage	V_R	5	V
Forward Current	I_F	25	mA
Peak Forward Current (Duty 1/10 @1KHz)	I_{F(Peak)}	160	mA
Power Dissipation	P_d	60	mW
Electrostatic Discharge	ESD	2000	V
Soldering Temperature	T_{so}	260 (for 5 seconds)	$^{\circ}\text{C}$
Operating Temperature	T_{opr}	-40 ~ +85	$^{\circ}\text{C}$
Storage Temperature	T_{stg}	-40 ~ +90	$^{\circ}\text{C}$

Electro-Optical Characteristics ($T_a=25^{\circ}\text{C}$)

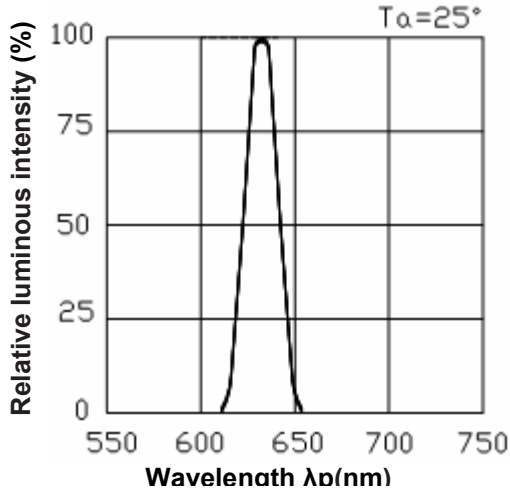
Parameter	Symbol	Min.	Typ.	Max.	Unit	Condition
Luminous Intensity	I_v	17	42	----	mcd	I _F =20mA
Viewing Angle	2θ_{1/2}	----	140	----	deg	
Peak Wavelength	λ_p	----	632	----	nm	
Dominant wavelength	λ_d	----	624	----	nm	
Spectrum Radiation Bandwidth	$\Delta\lambda$	----	20	----	nm	
Forward Voltage	V_F	----	2.0	2.4	V	
Reverse Current	I_R	----	----	10	μA	V _R =5V

Notes:

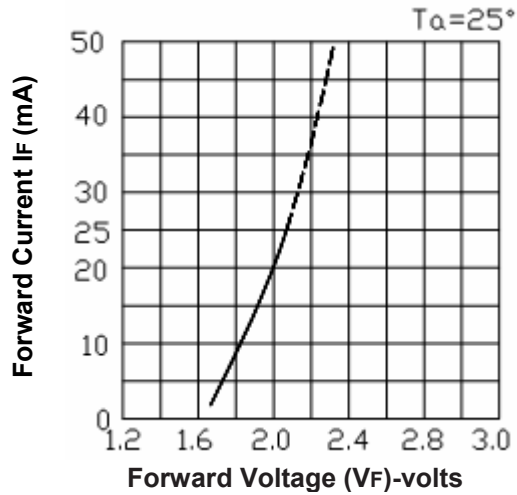
1. Tolerances Unless Dimension $\pm 0.1\text{mm}$
2. Angle $\pm 0.5^{\circ}$

Typical Electro-Optical Characteristics Curves

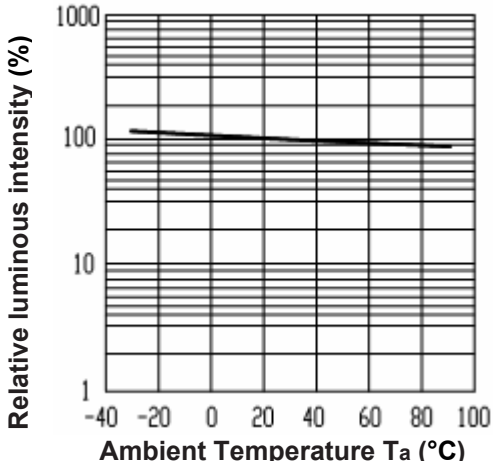
Spectrum Distribution



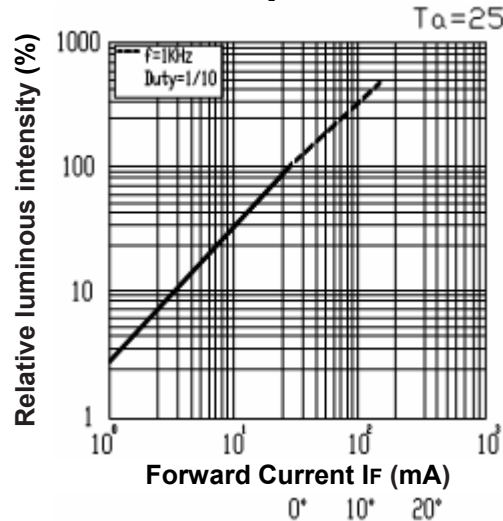
Forward Current vs. Forward Voltage



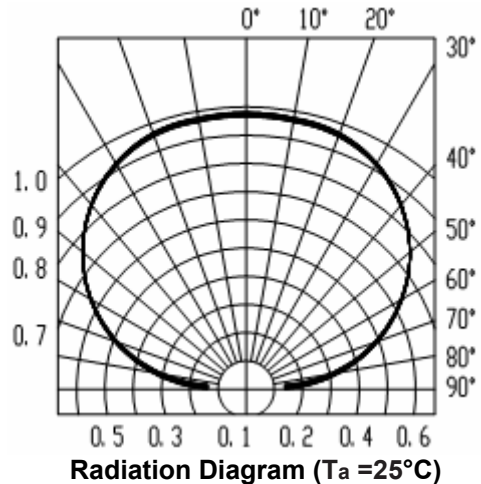
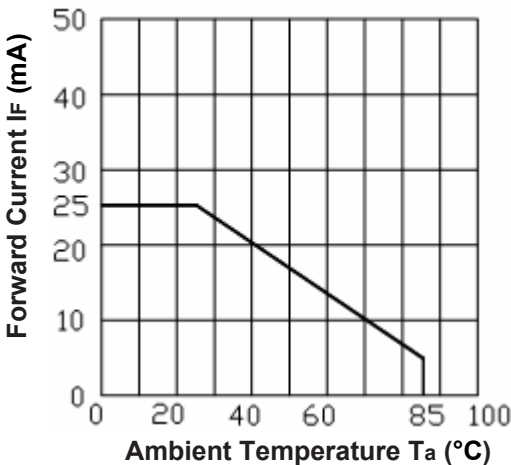
Luminous Intensity vs. Ambient Temperature



Luminous Intensity vs. Forward Current



Forward Current Derating Curve



Reliability Test Items and Conditions

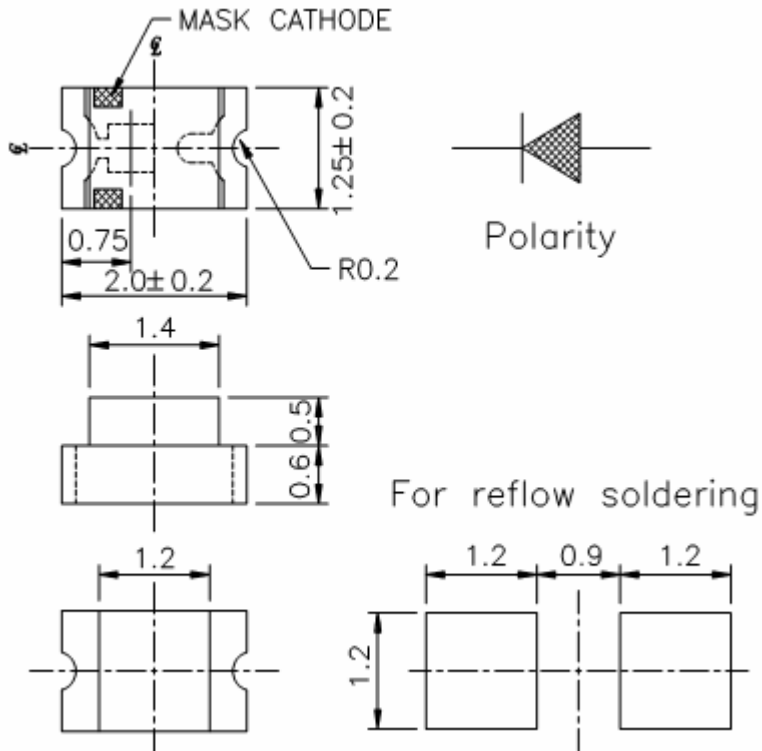
The reliability of products shall be satisfied with items listed below.

Confidence level: 90%,

LTPD: 10%

No.	Items	Test Condition	Test Hours / Cycles	Sample Size	Ac/Re
1	Solder Heat	Temp.: 260°C ±5°C.	5 Sec	76 PCS.	0/1
2	Temperature Cycle	H: +85°C 30min ↓ 5 min L: -55°C 15min	50 Cycles	76 PCS.	0/1
3	Thermal Shock	H: +100°C 5min ↓ 10 sec L: -10°C 5min	50 Cycles	76 PCS.	0/1
4	High Temperature Storage	Temp: 100°C	1000 Hrs.	76 PCS.	0/1
5	Low Temperature Storage	Temp: -55°C	1000 Hrs.	76 PCS.	0/1
6	DC Operating Life	I _F = 20 mA	1000 Hrs.	76 PCS.	0/1
7	High Temperature / High Humidity	85°C / 85%RH	1000 Hrs.	76 PCS.	0/1

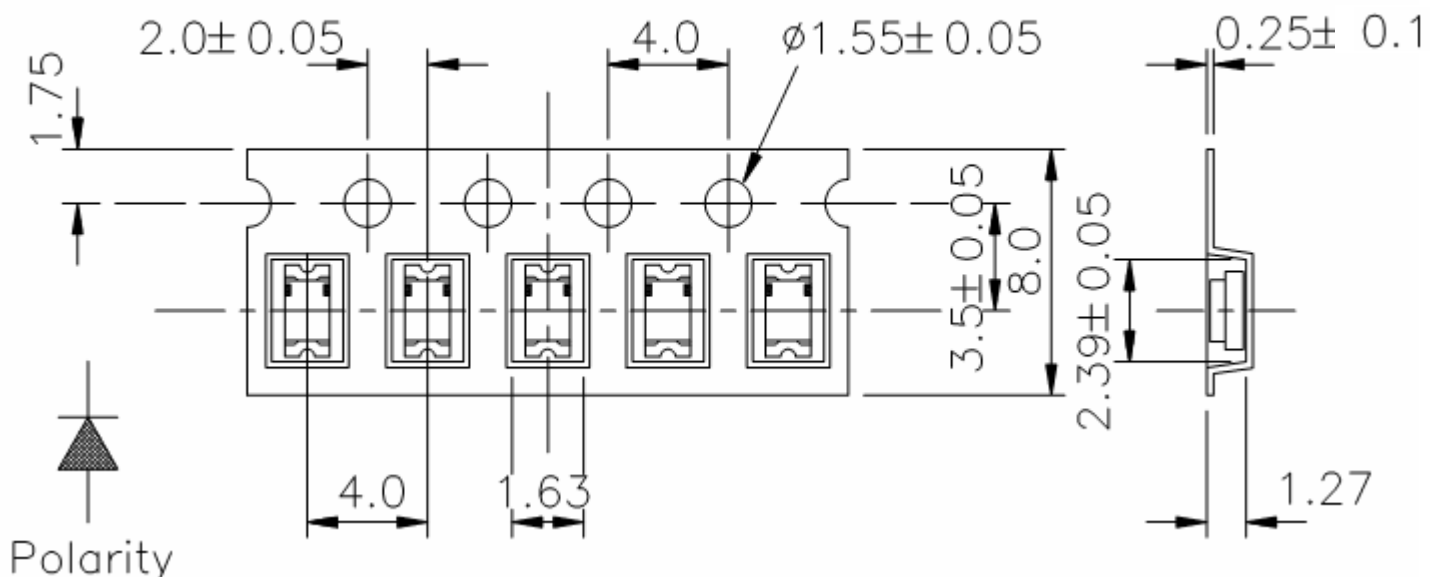
Package Dimensions (In mm)



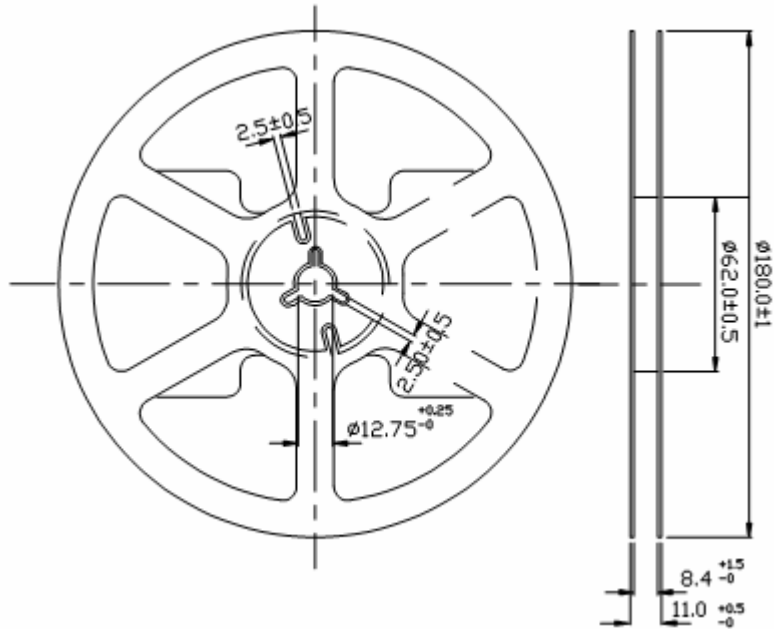
Note: The tolerances unless mentioned is ± 0.1 mm, Unit = mm

Carrier Tape Dimensions Loaded quantity 3000pcs per reel (In mm)

Progressive direction \rightarrow

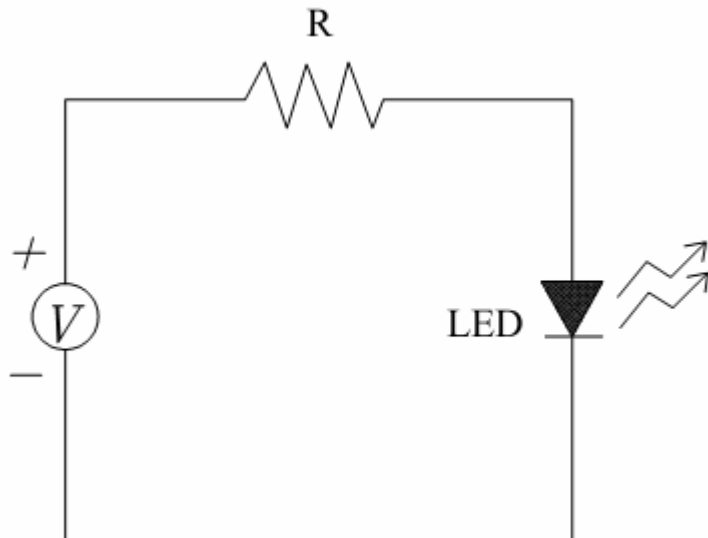


Reel Dimensions



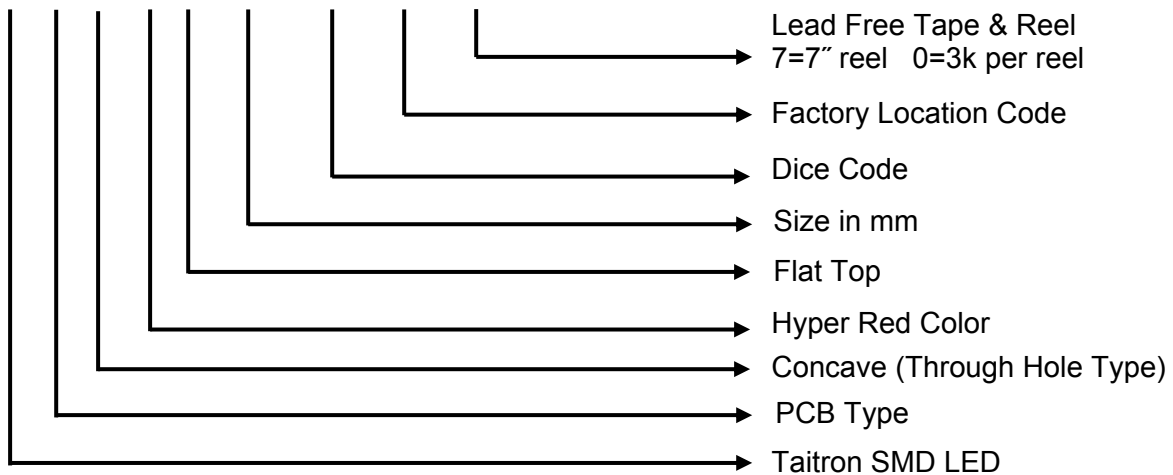
Note: The tolerances unless mentioned is $\pm 0.1\text{mm}$, Unit = mm

Test Circuit



Ordering Information

T S P 2 - Q F 2012 A3 - 92-TR70



How to contact us

US HEADQUARTER

28040 WEST HARRISON PARKWAY, VALENCIA, CA 91355-4162

Tel: (800) TAITRON (800) 247-2232 (661) 257-6060

Fax: (800) TAITFAX (800) 824-8329 (661) 257-6415

Email: taitron@taitroncomponents.com

Http://www.taitroncomponents.com

TAITRON COMPONENTS MEXICO, S.A .DE C.V.

BOULEVARD CENTRAL 5000 INTERIOR 5 PARQUE INDUSTRIAL ATITALAQUIA, HIDALGO

C.P. 42970 MEXICO

Tel: +52-55-5560-1519

Fax: +52-55-5560-2190

TAITRON COMPONETS INCORPORATED E REPRESENTAÇÕES DO BRASIL LTDA

RUA DOMINGOS DE MORAIS, 2777, 2.ANDAR, SALA 24 SAÚDE - SÃO PAULO-SP 04035-001

BRAZIL

Tel: +55-11-5574-7949

Fax: +55-11-5572-0052

TAITRON COMPONETS INCORPORATED, SHANGHAI REPRESENTATIVE OFFICE

CROSS REGION PLAZA, 899 LINGLING ROAD, SUITE 18C, SHANGHAI, 200030, CHINA

Tel: +86-21-54249942

Fax: +86-21-5424-9931