

Micro Power PIR signal Op Amp

Patent Number

Taiwan: M455864

China: ZL 2013 2 0099927.6

General Description

TTY020 is a micro power CMOS chip IC design to detect PIR signal control IC. PIR sensor detect infrared power variation induced by the motion of a human body and transforms it to a voltage variation signal. TTY020 use unique **variation window** technology and have **warm up fast** steady time, low power consumption, few external components needed, high sensitivity, steady work feature. The device wide can be used to need PIR controller IC product

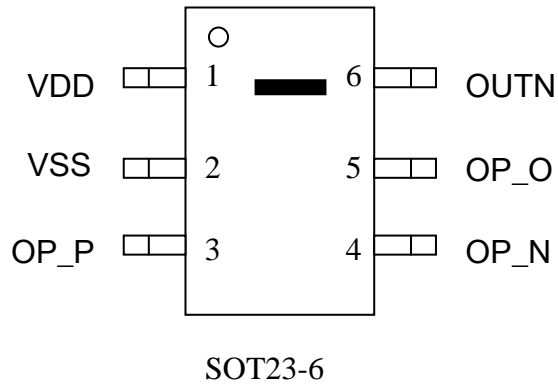
Feature

- Operating voltage range : 2.4V ~ 5.5V ◦
- Operating current, no load : 25uA@VDD=3V ◦
- Provide warm up fast steady time : 10sec@VDD=3V ◦
- During warm up fast steady time, OUTN active low ◦
- Unique variation window detect technology can improve noise ability ◦
- Simple application circuit ◦
- 6 PIN package (SOT23-6) ◦

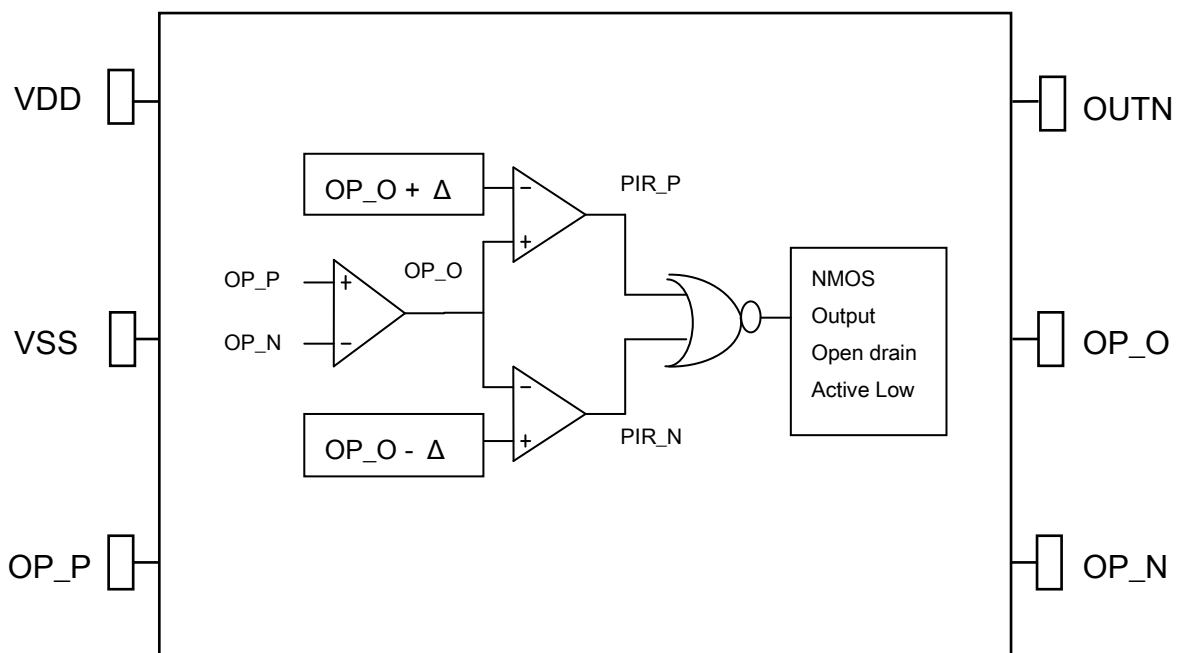
Application

- Human body induce lamp
- Need PIR controller system

IC Package



Block Diagram



***Δ : PIR variation window**

Pin Define

Pin No.	Pad Name	I/O Type	Pad Description
1	VDD	P	Positive power supply : 2.4 V ~ 5.5V
2	VSS	P	Negative power supply, ground
3	OP_P	I	OP AMP(+), input pin
4	OP_N	I	OP AMP(-), input pin
5	OP_O	O_A	OP AMP (out), output pin
6	OUTN	OD	Open Drain output(have no Diode protective circuit), active low

Pin Type

I	CMOS input
O_A	ANALOG output
OD	NMOS open drain output, have no diode protective circuit
P	Power / Ground

Electrical Characteristics

• Absolute Maximum Ratings

Parameter	Symbol	Conditions	Value	Unit
Operating Temperature	T _{OP}	—	-20 ~ +70	°C
Storage Temperature	T _{STG}	—	-50 ~ +125	°C
Power Supply Voltage	VDD	Ta=25°C	VSS-0.3 ~ VSS+5.5	V
Input Voltage	V _{IN}	Ta=25°C	VSS-0.3 ~ VDD+0.3	V

Note : VSS symbolizes for system ground

• DC/AC Characteristics : (Test condition at room temperature=25°C)

Parameter	Symbol	Test Condition	Min.	Typ.	Max.	Unit
Operating Voltage	VDD		2.4	5.0	5.5	V
System oscillator	Fosc	Fosc=16Khz ± 15% @VDD=3.3V	13.6	16.0	18.4	KHz
Warm up fast steady time	SPT	VDD=3.3V	8.5	10	11.5	sec
Operating Current	I _{OP}	VDD=3.3V No Load		25	35	uA
Output Port Sink Current	I _{OL}	VDD=3.3V, V _{OL} =0.5V Pin : OUTN	-	25	-	mA
Output Port OP_O Current	I _{OL}	VDD=3.3V, VOP_O=1.5V	-	250	-	uA
	I _{OH}	VDD=3.3V, VOP_O=1.5V	-	250	-	uA

Function Description

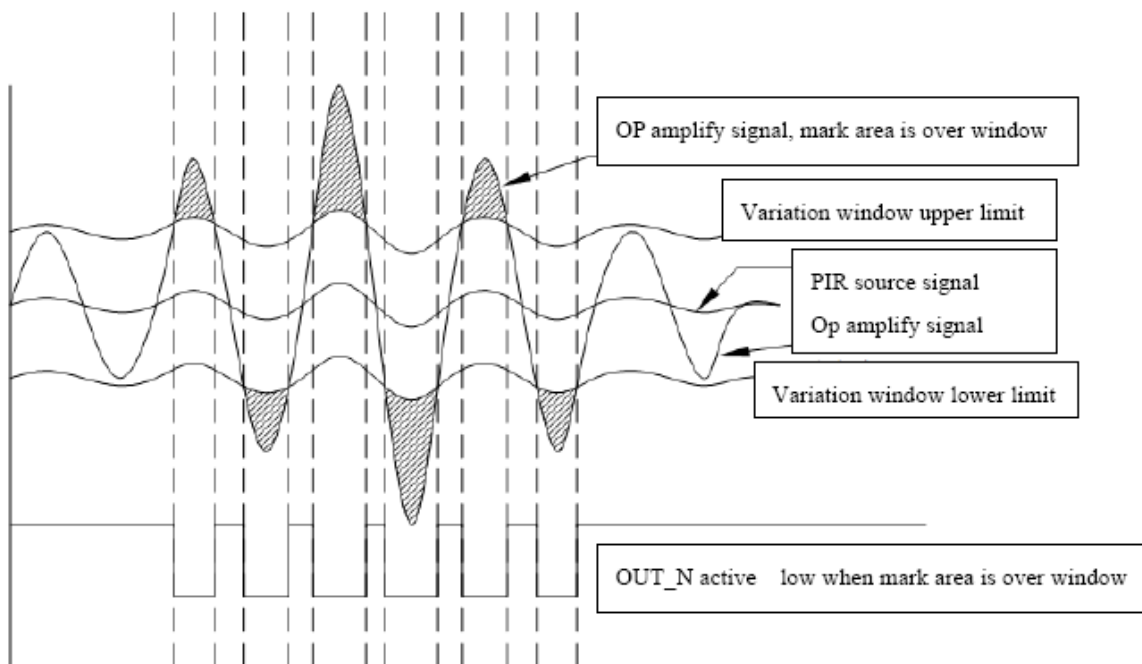
1. Package Type :

SOT23-6

2. Power ON initial

- (1). Provide the first OP warm up fast steady time 10 sec after Power On ◦
- (2). During warm up fast steady time, OUTN active low ◦

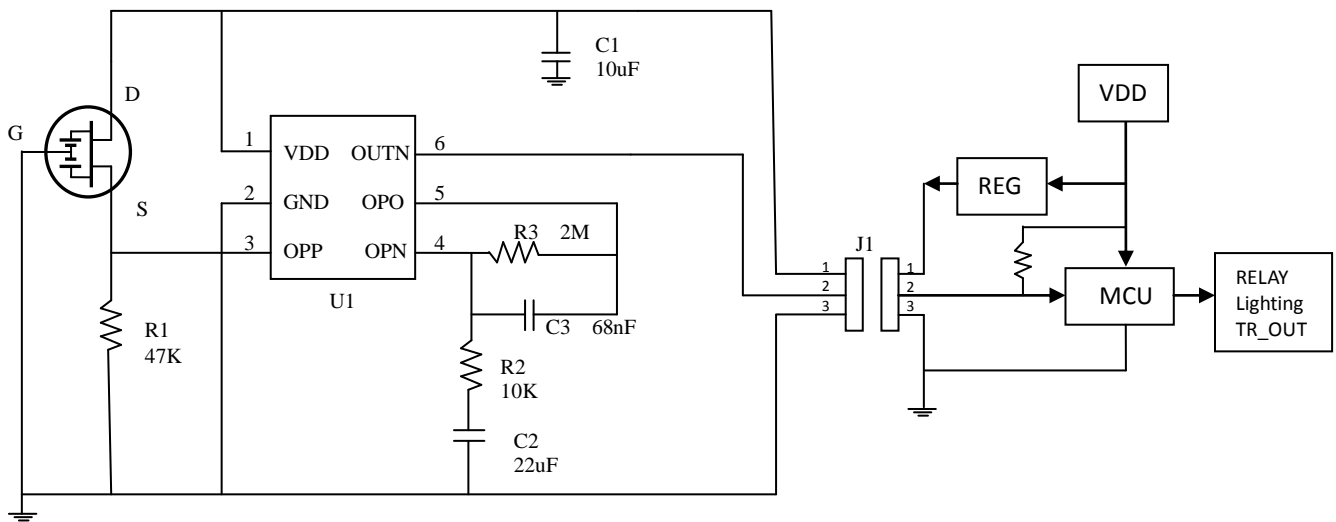
3. PIR signal trigger recognize



Note:

- (1). If OP amplify signal is over variation window, then OUTN active low, otherwise OUTN is high impedance
- (2). OUTN signal output debounce 8mS.

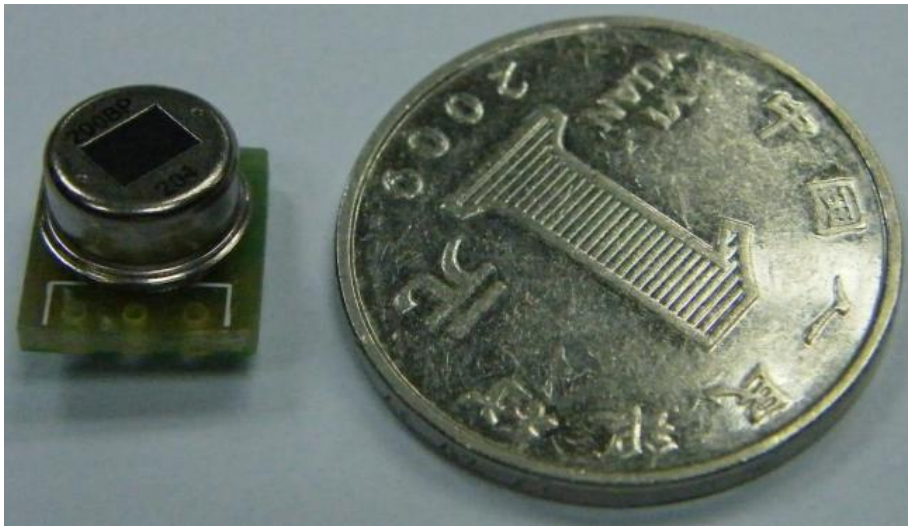
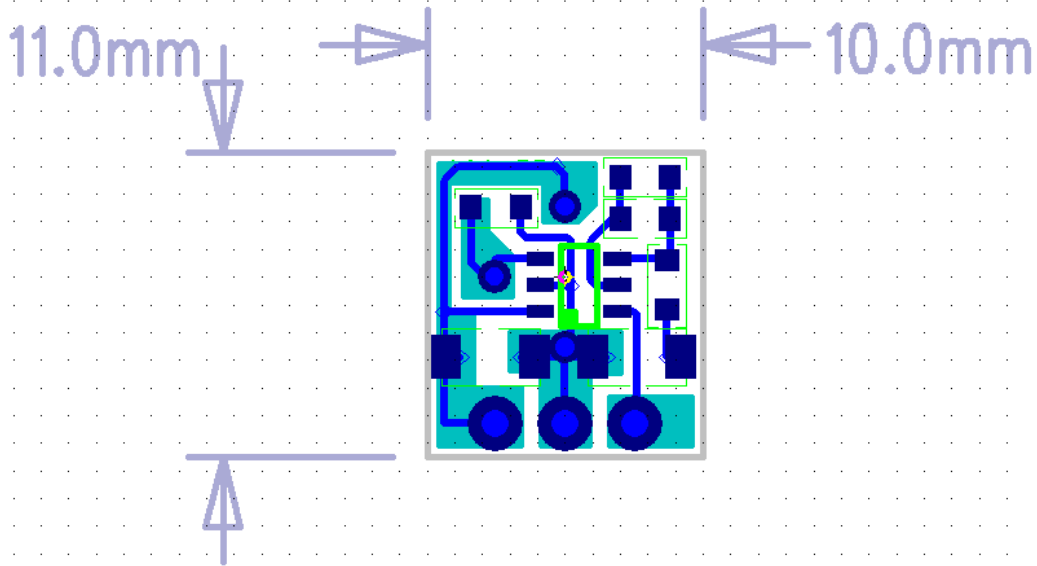
Application Circuit



Note:

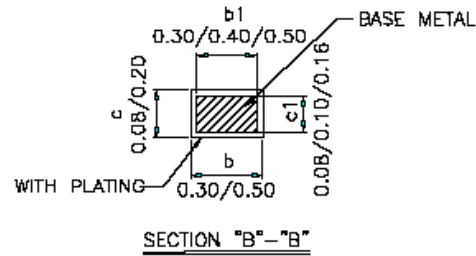
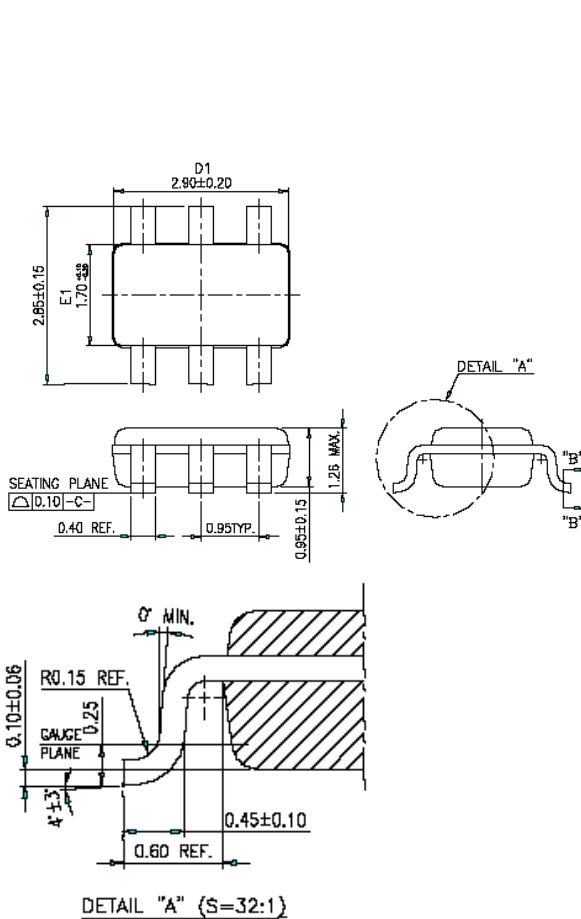
- (1).R1=47K Ω can be selected range 47K Ω ~300K Ω , if the value of R1 use higher , then PIR Sensor statics current will be smaller.
- (2).R3=2M Ω don't more than 3M Ω , can be selected to adjust sensitivity, if the value of R3 use higher, then OP amplifier gain higher.
- (3).R2 < 1 Ω ~50K Ω can be selected to adjust sensitivity, if the value of R2 use smaller, then OP amplifier gain higher.
- (4).C3=68nF~100nF has low pass filter effect, only the frequency <10Hz signal can be amplified, $F=1/(2\pi RC)$
- (5).C2=10uF~47uF filter out DC signal capacitor, has high pass filter effect, only the frequency >0.1Hz signal can be amplified, $F=1/(2\pi RC)$. the C2 must use ceramic capacitor that has smaller leakage current, don't use electrolytic capacitor that has higher leakage current.
- (6).C1=10uF power decoupling capacitance.
- (7).OP_P DC voltage=0.7V depend on PIR Sensor specification, normal range 0.4V~1.1V, suggest to use higher consistency PIR Sensor for S node voltage.
- (8).If OP_O voltage is over PIR Δ variation window, then OUTN active low, otherwise OUTN is high impedance
- (9).Application be requested to provide steady power, use LDO to regulate voltage 2.4V~5V, and wire is as shorter as possible
- (10).OUTN is open drain output, can be connect to MCU I/O directly, (**MCU device need an internal or external pull-high resistor 51K Ω ~300K Ω**), don't drive the larger current load directly, for example LED... etc.
- (11). OUTN signal output has debounce 8mS.

Practical Example



Package Type

SOT23-6



NOTES:

1. DIMENSION D1 & E1 DOES NOT INCLUDE MOLD PROTRUSION.
2. COPLANARITY OF ALL LEADS SHALL BE (BEFORE TEST) 0.1 MAX. FROM THE SEATING PLANE. UNLESS OTHERWISE SPECIFIED.
3. GENERAL PHYSICAL OUTLINE SPEC IS REFER TO TMC'S FINAL VISUAL INSPECTION SPEC UNLESS OTHERWISE SPECIFIED.

Order Information

1. Package form : TTY020-CA6
2. Chip form : —
3. Wafdebase : ---

Revise History

1. 2013/12/17 - Original version : V_1.0
2. 2014/06/10 - Modify version : V_1.1
3. 2016/01/26 - Modify version : V_1.2