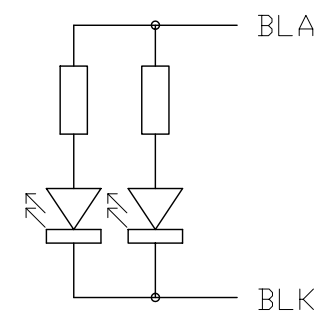
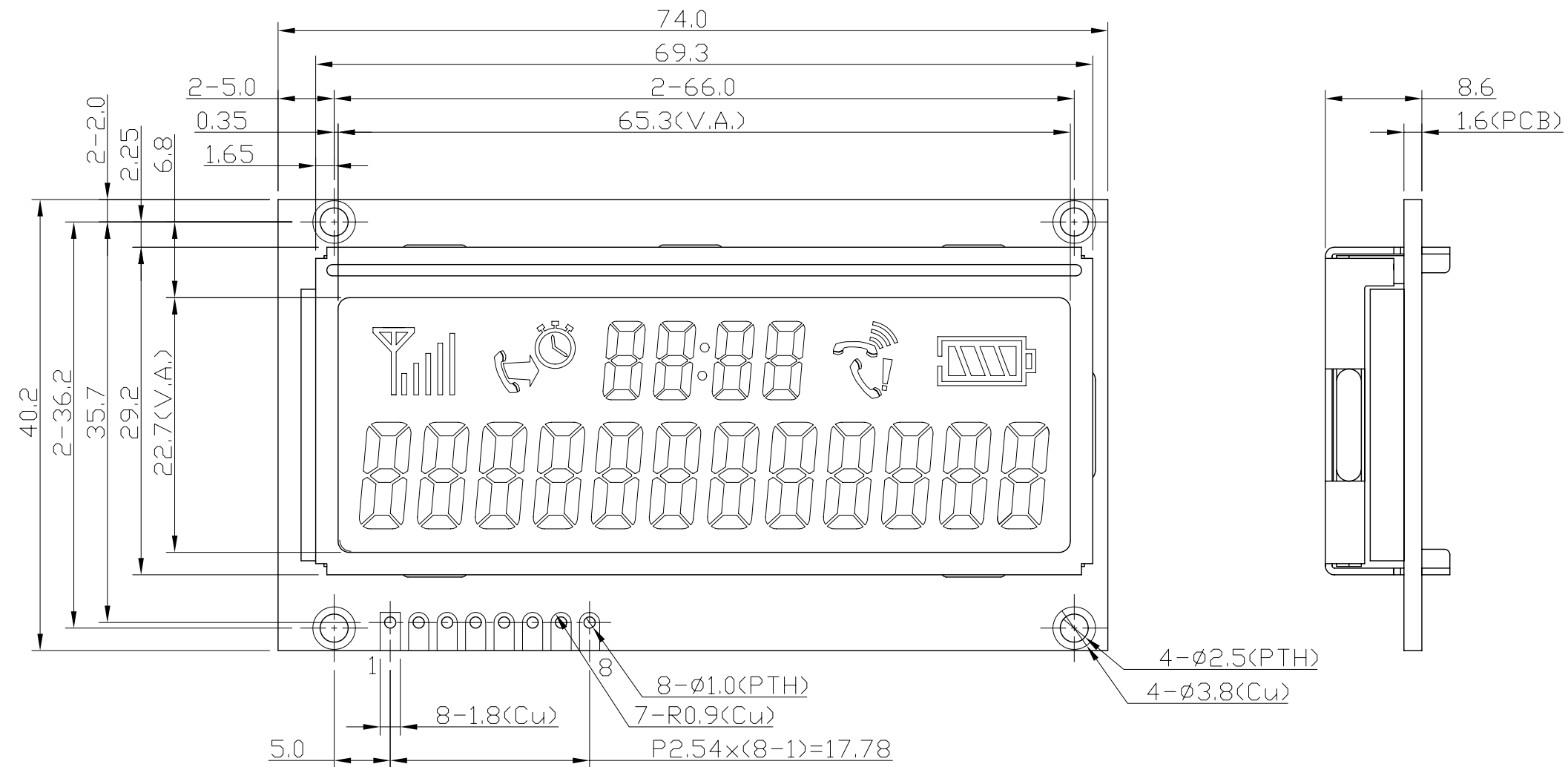


Terminal	
No.	Pin Name
1	VDD
2	VSS
3	/CS
4	/RD
5	/WR
6	DATA
7	BLA
8	BLK



Backlight Circuit Details
(No. of LED = 2pcs)
Scale=free

- Note:
- *1. LCD Display Type : TN, Positive, Transmissive
 - *2. Viewing Direction : 6H
 - *3. Duty : 1/4, Bias : 1/3
 - *4. Operating Temperature : 0°C~50°C
 - *5. Storage Temperature : -20°C~70°C

C		
B		
A		
Rev	Note	Date
Dwg	Title	
Dwg No.	MK-000927-1-1	Date
Scale	2/1	2005-04-20
Tol.	±0.5	
Unit	mm	Paper Size
Approved	Checked	A3
		Drawn
		Li Shuai

TOPWAY