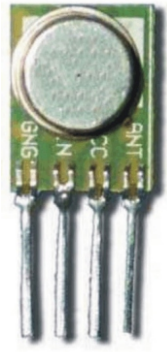


Transmitter Module : TWS-BS3 (433.92 MHz)

<p>*Frequency Range: 433.92 MHz</p> <p>*Modulate Mode: ASK</p> <p>*Circuit Shape: SAW</p> <p>*Data Rate: 8kbps</p> <p>*Supply Voltage: 3~ 12 V</p> <p>*Power Supply and All Input / Output Pins: -0.3 to +12.0 V</p> <p>*Non-Operating Case Temperature: -20 to +85 ℃</p> <p>*Soldering Temperature (10 Seconds) : 230 ℃ (10 Seconds)</p>	
---	---

Absolute Maximum Ratings

Rating	Value	Unit
Power Supply and All Input/Output Pins	-0.3 to +12.0	V
Non-Operating Case Temperature	-20 to +85	℃
Soldering Temperature(10 seconds)	230	℃

Electrical Characteristics, T=25℃, Vcc=3.6v, Freq=433.92MHz

Characteristic	Sym	Min.	Typ.	Max.	Unit
Operating Frequency (200KHz)	Vcc		433.92		MHz
Data Rate	ASK			8K	Kbps
Transmitter Performance(OOK@2.4kbps)					
Peak Input Current,12 Vdc Supply	ITP			45	mA
Peak Output Power	PO		10		mW
Tum On/ Tum Off Time	T ON/T OFF			1	US
Power Supply Voltage Range	Vcc	3		12	VDC
Operating Ambient Temperature	TA	-20		+85	℃
Tx Antenna Out (3V) +2.4dB	Vcc				mA

Application Note:

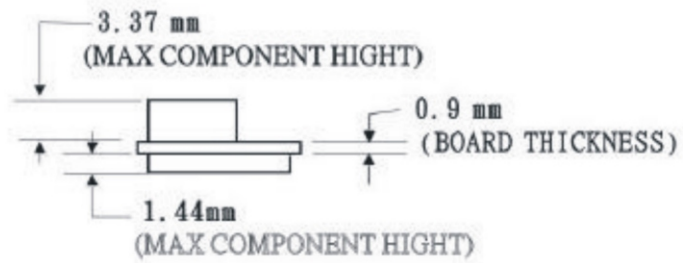
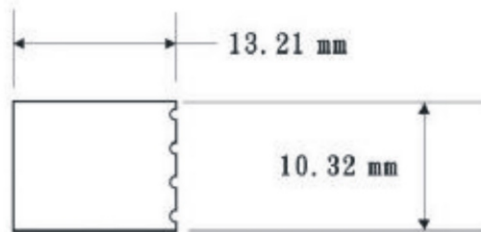


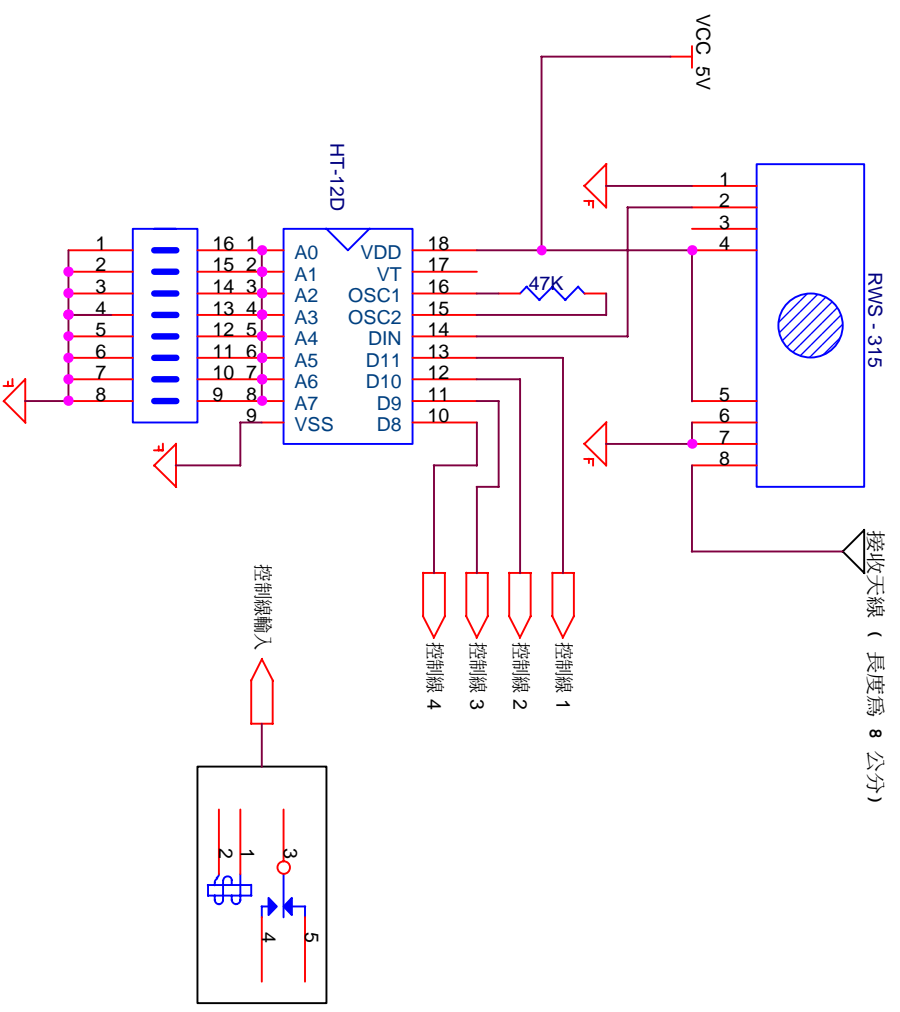
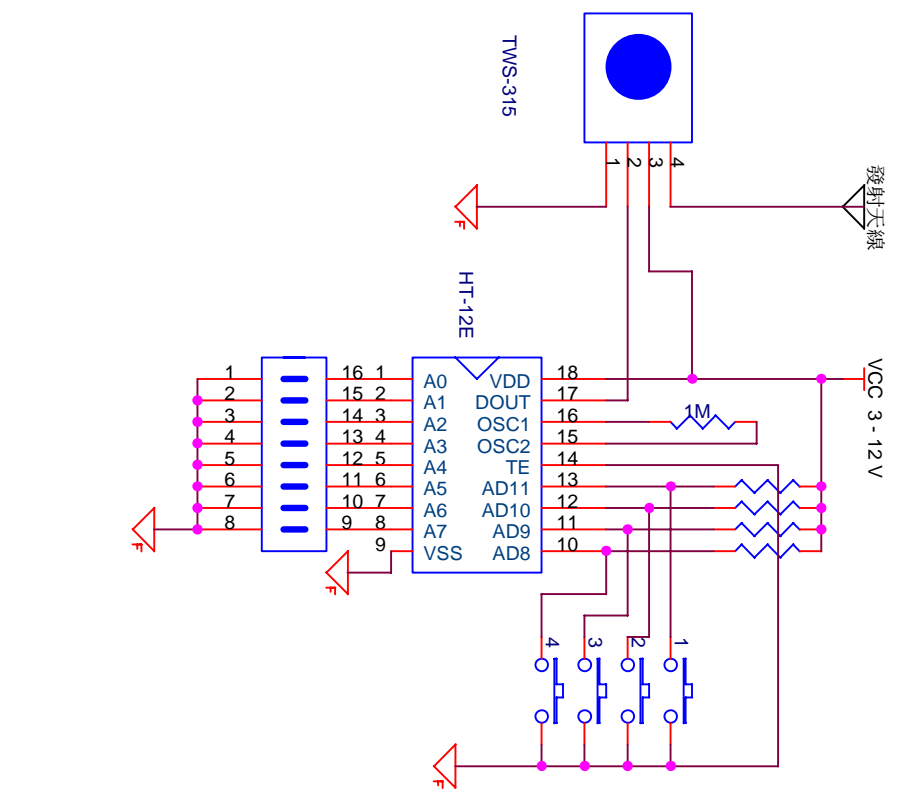
pin 1 : GND
pin 2 : Data in
pin 3 : VCC
pin 4 : ANT

Application Note:

TWS-BS

UNIT:mm





Title		<Title>
Size		<Doc>
Document Number		<Doc>
Rev		<RevCode>