

Modem Transformer: TX-1033S

Features:

- .V.90 Compatible
- .Designed for PCMCIA type II cards
- .Designed to meet IEC950 supplementary insulation
- .Low distortion, specifically designed for V.90 applications
- .Application Drawing available
- .Available in Tape and Reel
- .Cross reference to Midcom 671-8481R

Terminal Offset Table:

TX-1033S Terminal Offset=0.096 (2.4)

Specifications

Designed to reflect 600 ohms on PRI with 287 ohms on SEC

D.C. Resistance 20 °C: PRI :155 ohms±10% SEC : 145 ohms±10%

Frequency Response: ±1.00 dB, 200 Hz to 4 kHz

Insertion Loss: 3.50 dB max, 200 Hz to 4 kHz

Dielectric Test: 1650 VAC,0.5mA 1sec PRI – SEC

Insertion Loss:1.5 H min, 1 kHz, 1.0 VAC, 1-3,Lp

D.C. in PRI: None

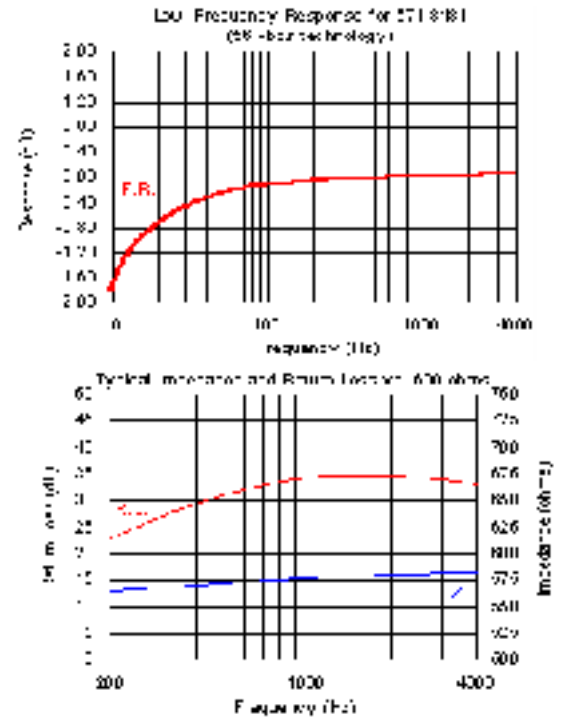
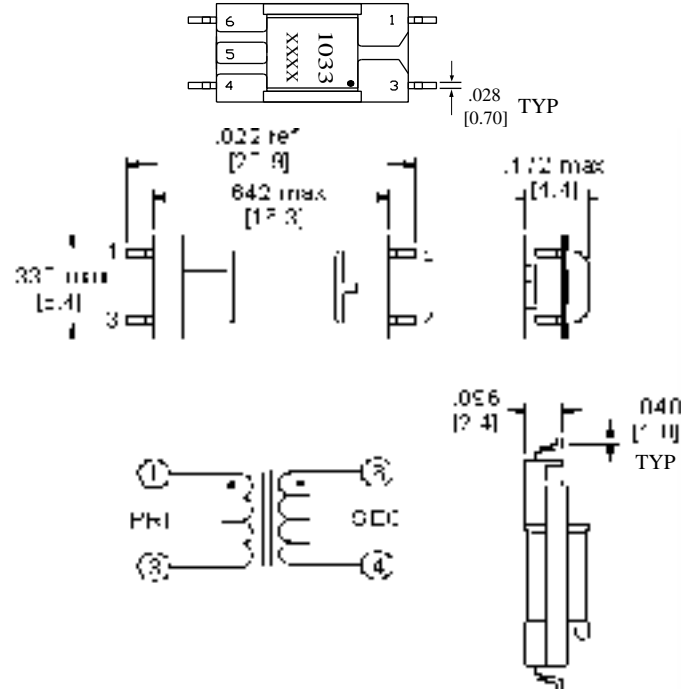
Return Loss: 14dB minimum, 200 Hz to 4 kHz

Turns Ratio (PRI:SEC): 1 :1 ±1%

Total Harmonic Distortion: -82 dB maximum at
600 Hz, -10 dB m (V.90)

Typical Distortion Figures (T.H.D)

	100 Hz	150 Hz	200 Hz	250 Hz	300 Hz	600 Hz
-10 dB m	-60.3 dB	-68.2 dB	-73.6 dB	-77.4 dB	-80.1 dB	-86.9 dB



Scale:Do not scale DWG	Unspecified tolerance		Title	Modem Transformer
Unit :inch/mm	.x +/-	.xx +/-	Unisen P/N	TX-1033S
DWG BY :	.xxx +/- .010 [0.25]	+/-	Part NO.	ST-8001
CHK BY :			DWG NO.	E00073
Appro. BY :			Sheet 1 of 1	REV. A