

HITACHI

LIQUID CRYSTAL DISPLAY MODULE TECHNICAL DATA

TX07D24VM0AAA

CONTENTS

No.	Item	Sheet No.	Page
1	COVER	DPBCL0001570-04	1-1/1
2	RECORD OF REVISIONS	DPBCL0001570-04	2-1/1
3	GENERAL DATA	DPBCL0001570-04	3-1/1
4	ABSOLUTE MAXIMUM RATINGS	DPBCL0001570-04	4-1/1
5	ELECTRICAL CHARACTERISTICS	DPBCL0001570-04	5-1/1
6	OPTICAL CHARACTERISTICS	DPBCL0001570-04	6-1/2 - 2/2
7	BLOCK DIAGRAM	DPBCL0001570-04	7-1/1
8	INTERFACE	DPBCL0001570-04	8-1/8 - 8/8
9	DIMENSIONAL OUTLINE	DPBCL0001570-04	9-1/1

(NOTES)

1. This document may, wholly or partially, be subject to change without notice.
2. All rights are reserved ; No one is permitted to reproduce or duplicate, in any form, the whole or part of this document without Hitachi's permission.
3. No one is permitted to explain contents of this document to third parties without Hitachi's permission.
4. Hitachi will not be held responsible for any damage to the user that may result from accidents or any other reasons during operation of the user's unit according to this document, any previous reports or oral discussions.
5. Circuitry and other examples described herein are meant merely to indicate the characteristics and performance of Hitachi's products. Hitachi assumes no responsibility for any intellectual property claims or other problems that may result from applications based on the examples described herein.
6. No license is granted by implication or otherwise under any patents or other rights of any third party or Hitachi, Ltd.
7. LIFE SUPPORT APPLICATIONS : Hitachi's products are not authorized for use in LIFE SUPPORT SYSTEMS.

RECORD OF REVISIONS

Date	Sheet No.	Summary

3. GENERAL DATA

(1) Product Name	TX07D24VM0AAA
(2) Module Dimensions	50.0 (W) mm x 70.0(H) mm x 2.15 (t) mm
(3) Active Area Dimensions	43.2 (W) mm x 57.6 (H) mm
(4) Pixel Pitch	0.18 (W) mm x 0.18 (H) mm
(5) Resolution	240 x 3 (R, G, B) (W) x 320 (H) dots
(6) Color Pixel Arrangement	RGB Vertical Stripe
(7) Display Mode	Transmissive Type, Normally Black Mode, IPS
(8) Number of Colors	65,536 Colors (8-bit, 16-bit CPU - VF) 262,144 Colors (9-bit, 18-bit CPU - VF)
(9) View ing Direction	-
(10) Backlight	Light Emitting Diode (LED) Five LEDs connected in Series
(11) Weight	14.5g
(12) Pow er Supply Voltage	Vcc = 2.8 V (typ)
(13) Interface I/O pow er supply	$1.75V \leq VDDI/O \leq Vcc$
(14) LCD Driver IC	S6D0154
(15) Interface	8-bit / 9-bit / 16-bit / 18-bit CPU bus (80 CPU series)

4. ABSOLUTE MAXIMUM RATINGS

4. 1 ELECTRICAL ABSOLUTE MAXIMUM RATINGS OF LCD

VSS = 0 V

Item	Symbol	Min	Max	Unit	Note
Power Supply for Logic and Analog	Vcc	-0.3	4.6	V	(1), (2)
Power Supply for Interface	VDDI/O	-0.3	4.6	V	(1), (2)
Input Voltage	V _{IN}	-0.3	VDDI/O+0.3	V	(1), (3)
LED Reverse Voltage	VR	-	5	V	(1), (4)
LED Forward Current	I _{LED}	-	35	mA	(4), (5)
Static Electricity	-	-	±2	kV	(6)

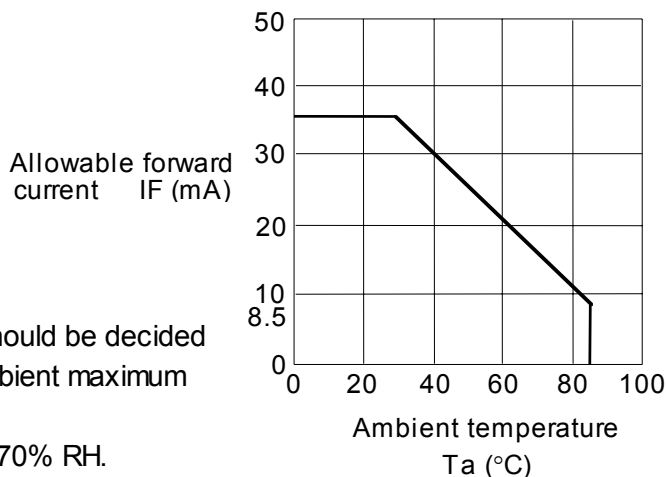
Notes (1) All voltage values are referred to GND.

(2) $V_{DDI/O} \leq V_{cc}$

(3) Applies to the RESET*, RD*, WR*, CS*, RS, VSYNC*, IM0, IM3 and DB17-0 pins.

(4) Ta = 25 deg C, per piece of LED.

(5) Relationship between ambient temperature and allowable forward current



The operating current should be decided after considering the ambient maximum temperature of LEDs.

(6) 100 pF, 1.5 kohm, 25°C, 70% RH.

Static electricity discharge point is the center of LCD's surface.

4. 2 ENVIRONMENTAL ABSOLUTE MAXIMUM RATINGS

Item	Operating		Storage		Comment
	Min	Max	Min	Max	
Ambient Temperature	-20°C	70°C	-30°C	80°C	Note (2)
Humidity	Note (1)		Note (1)		No condensation
Corrosive Gas	Not Acceptable		Not Acceptable		

Notes (1) Ta ≤ 40°C: 85% RH max.

Ta > 40°C: Absolute humidity must be lower than the humidity of 85%RH at 40°C.

The polarizer quality is not assured by the above values.

(2) Background color slightly changes depending on ambient temperature and viewing angle.

5. ELECTRICAL CHARACTERISTICS

ELECTRICAL CHARACTERISTICS OF LCD

Ta = 25°C, VSS = 0 V

Item	Symbol	Condition	Min	Typ	Max	Unit	Note
Power Supply Voltage for Logic and Analog	Vcc	-	2.72	2.8	2.88	V	
Power Supply Voltage for Interface	VDDI/O	-	1.75	-	Vcc		
Input Voltage for Logic Circuits	Vi	"H" level	0.8 x VDDI/O	-	VDDI/O	V	(1)
		"L" level	0	-	0.2 x VDDI/O		
Output Voltage for Logic Circuits	Vo	"H" level	0.8 x VDDI/O	-	-	V	(2)
		"L" level	-	-	0.2 x I/OVcc		
Input/Output Leak current	ILi	-	-1.0	-	1.0	μA	
Power Supply Current	Icc	All White	-	9.3	12.0	mA	(3)
		Partial	-	6.0	8.0	mA	(4)
		Standby	-	0.1	1.0	μA	(5)
LED Forward Voltage	VLED	-	-	3.2	3.5	V	
LED Forward Current	I LED	-	-	20	Note (6)	mA/LED	
Frame Frequency	fFLM	-	-	85	-	Hz	

Notes (1) Applies to the RESET*, RD*, WR*, CS*, RS, VSYNC*, IM0, IM3 and DB17-0 pins.

(2) Applies to the FLM and DB17-0 pins.

(3) Vcc = VDDI/O = 2.8 V, fFLM = 85 Hz

(4) Partial Pattern

40 Lines: White
280 Lines: Black
fFLM = 85 Hz
8-color mode



40 Lines: White

280 Lines: Black

(5) Vcc = VDDI/O = 2.8 V, Standby mode

(6) Refer to Item 4.1

6. OPTICAL CHARACTERISTICS

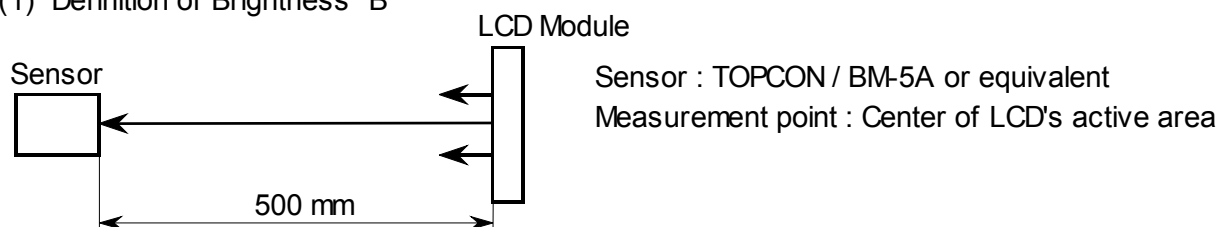
OPTICAL CHARACTERISTICS OF LCD (BACKLIGHT ON)

Item	Symbol	Condition	Min	Typ	Max	Unit	Note	
Brightness	B	$\phi=0^\circ, \theta=0^\circ$	200	300	-	cd/m ²	(1), (2)	
Contrast ratio	K	$\phi=0^\circ, \theta=0^\circ$	200	400	-	-	(1), (6)	
Viewing angle	$\phi_1 + \phi_2$	$\theta=0^\circ, K \geq 10$	-	160	-	deg	(4), (6), (7)	
		$\theta=90^\circ, K \geq 10$	-	160	-			
Brightness uniformity	-	$\phi=0^\circ, \theta=0^\circ$	70	80	-	%	(2), (3), (5)	
Response time	tr + tf	$\phi=0^\circ, \theta=0^\circ$ Ta=25°C	-	40	70	ms	(8)	
Color tone (Primary Color)	Red	x	Maximum Gradient $\phi=0^\circ$ $\theta=0^\circ$	0.57	0.63	0.69	-	(1)
		y		0.29	0.35	0.41		
	Green	x		0.28	0.34	0.40		
		y		0.53	0.59	0.65		
	Blue	x		0.08	0.14	0.20		
		y		0.04	0.10	0.16		
	White	x		0.25	0.31	0.37		
		y		0.26	0.32	0.38		

Common conditions for measurement

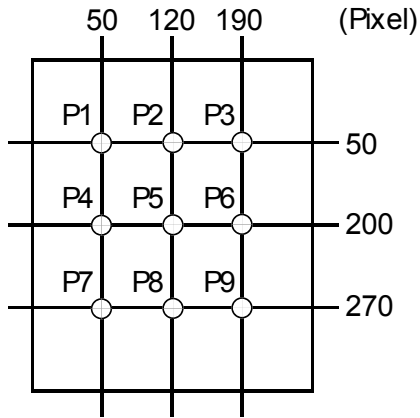
Measurement environment : Dark room
 Ambient temperature : Ta = 25°C
 Sequence : Follow Item 8.4.2, SEQUENCE.
 Power supply voltage : Vcc = VDD/O = 2.8 V
 Backlight current : 20 mA

Notes (1) Definition of Brightness "B"

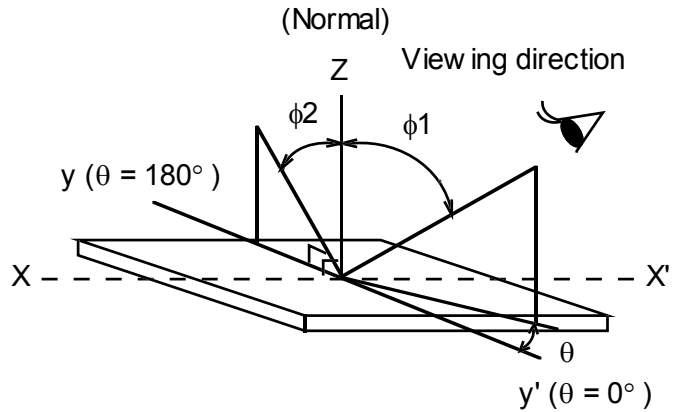


(2) Display image for measurement : White

Notes (3) Measurement point



(4) Definitions of θ and ϕ



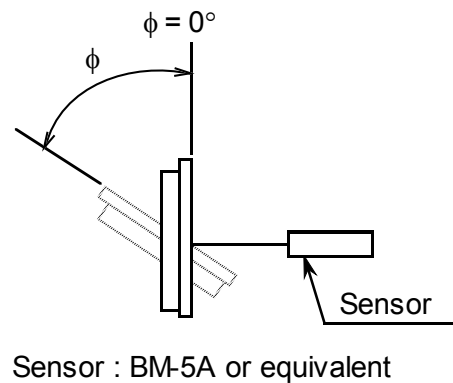
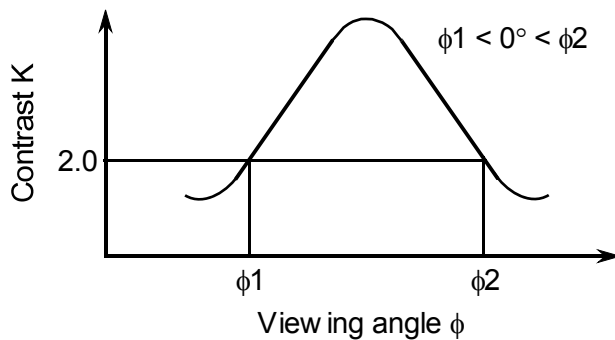
(5) Definition of the brightness uniformity

$$\text{Uniformity} = \text{Brightness (min.)} / \text{Brightness (max.)} \times 100(\%)$$

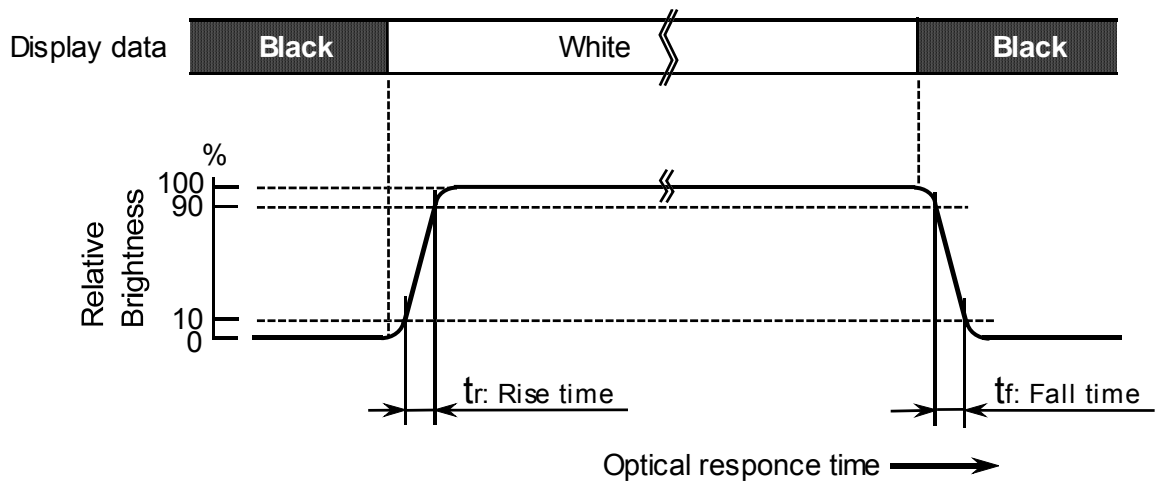
(6) Definition of Contrast "K"

$$K = \frac{\text{Brightness when displaying White raster}}{\text{Brightness when displaying Black raster}}$$

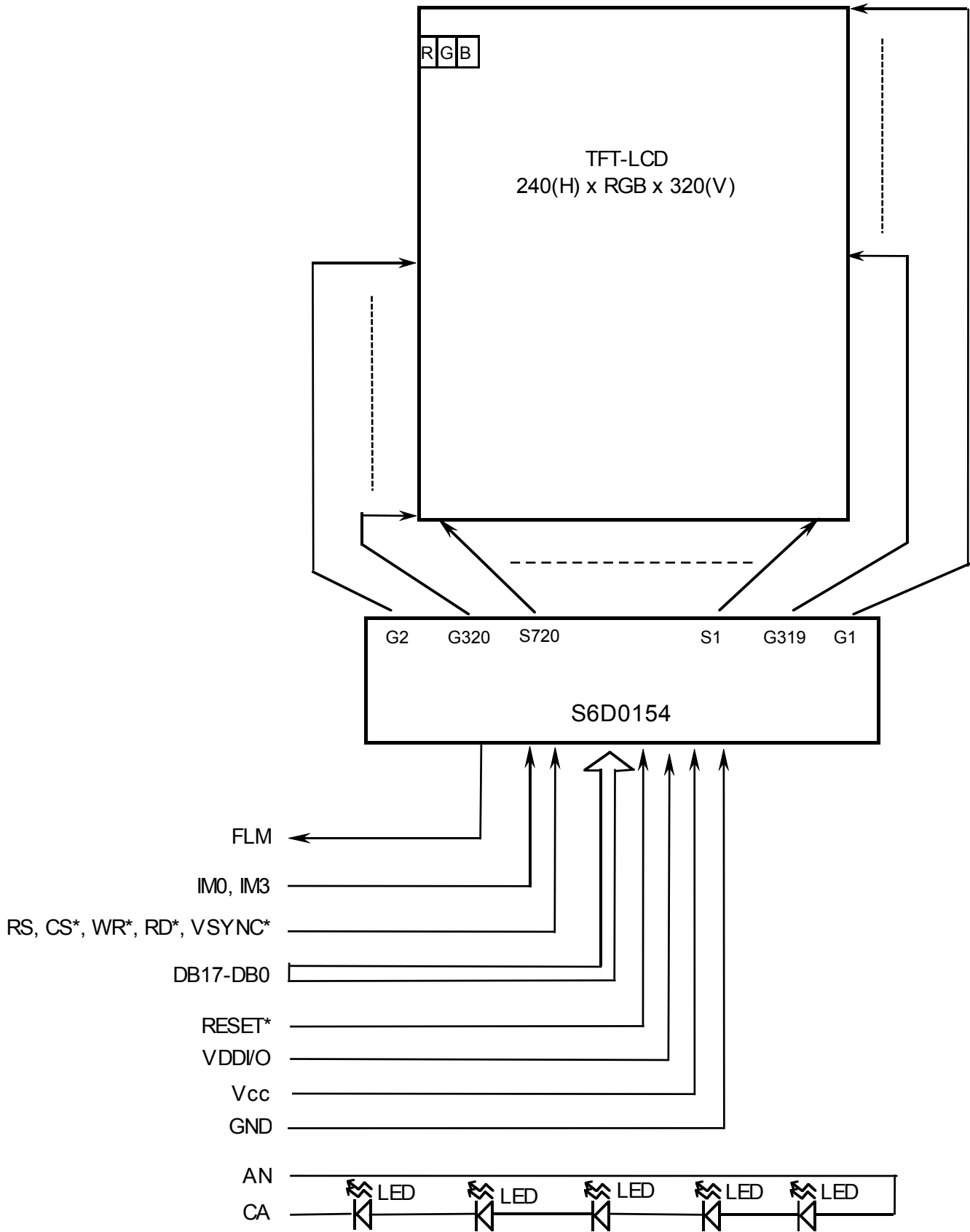
(7) Definition of viewing angle ϕ_1 and ϕ_2



(8) Definition of optical response time



7. BLOCK DIAGRAM



8. INTERFACE

8.1 INTERNAL PIN CONNECTION (8 / 9 / 16/18-bit CPU bus correspondence)

Pin No.	Signal	Function	Pin No.	Signal	Function
1	GND	GND	21	DB3	Data Bus (Instruction & Display Data)
2	GND	GND	22	DB2	Data Bus (Instruction & Display Data)
3	ID	ID(VDDI/O)	23	DB1	Data Bus (Instruction & Display Data)
4	IM0	MPU Interface Sw itching	24	DB0	Data Bus (Instruction & Display Data)
5	IM3	MPU Interface Sw itching	25	RD*	Read
6	RESET*	Reset	26	WR*	Write
7	DB17	Data Bus (Instruction & Display Data)	27	RS	Data/Command Identification
8	DB16	Data Bus (Instruction & Display Data)	28	CS*	Chip Select
9	DB15	Data Bus (Instruction & Display Data)	29	VDDI/O	Pow er Supply for Interface
10	DB14	Data Bus (Instruction & Display Data)	30	VDDI/O	Pow er Supply for Interface
11	DB13	Data Bus (Instruction & Display Data)	31	V _{cc}	Pow er Supply for Logic and Analog
12	DB12	Data Bus (Instruction & Display Data)	32	V _{cc}	Pow er Supply for Logic and Analog
13	DB11	Data Bus (Instruction & Display Data)	33	NC	NC (No Connection)
14	DB10	Data Bus (Instruction & Display Data)	34	AN	Pow er Supply for LED
15	DB9	Data Bus (Instruction & Display Data)	35	CA	GND for LED
16	DB8	Data Bus (Instruction & Display Data)	36	VS _{YNC} *	Line synchronous signal
17	DB7	Data Bus (Instruction & Display Data)	37	FLM	Frame head pulse signal
18	DB6	Data Bus (Instruction & Display Data)	38	NC	NC (No Connection)
19	DB5	Data Bus (Instruction & Display Data)	39	GND	GND
20	DB4	Data Bus (Instruction & Display Data)			

Suitable Connector : HIROSE FH26-39S-0.3SHW(5)

8.2 CPU INTERFACE MODE SETTING

8.2.1 CPU Interface Mode Selection

PIN No.	SIGNAL	80-System Bus Interface			
		18-bit	16-bit	9-bit	8-bit
		262k Colors	65k Colors	262k Colors	65k Colors
4	IM0	GND	GND	VDDI/O	VDDI/O
5	IM3	VDDI/O	GND	VDDI/O	GND

Select the interface mode and colors by setting bits of IM0 and IM3.

8.2.2 Unused Data Bus Connection

Bus Interface		18-bit	16-bit	9-bit	8-bit
Data Bus Pins		DB17-0	DB17-10 DB8-1	DB17-9	DB17-10
Unused Data Bus Pins		-	DB9,DB0	DB8-0	DB9-0
Pin No.	Signal				
7	DB17				
8	DB16				
9	DB15				
10	DB14				
11	DB13				
12	DB12				
13	DB11				
14	DB10				
15	DB9		GND or VDDI/O		GND or VDDI/O
16	DB8			GND or VDDI/O	GND or VDDI/O
17	DB7			GND or VDDI/O	GND or VDDI/O
18	DB6			GND or VDDI/O	GND or VDDI/O
19	DB5			GND or VDDI/O	GND or VDDI/O
20	DB4			GND or VDDI/O	GND or VDDI/O
21	DB3			GND or VDDI/O	GND or VDDI/O
22	DB2			GND or VDDI/O	GND or VDDI/O
23	DB1			GND or VDDI/O	GND or VDDI/O
24	DB0		GND or VDDI/O	GND or VDDI/O	GND or VDDI/O

Unused data bus pins are to be set at GND or VDDI/O.

8.2.3 Display Data Input

Data Bus		DB 17	DB 16	DB 15	DB 14	DB 13	DB 12	DB 11	DB 10	DB 9	DB 8	DB 7	DB 6	DB 5	DB 4	DB 3	DB 2	DB 1	DB 0
18-bit	Transfer 1	R5	R4	R3	R2	R1	R0	G5	G4	G3	G2	G1	G0	B5	B4	B3	B2	B1	B0
16-bit	Transfer 1	R5 R0	R4	R3	R2	R1	G5	G4	G3	-	G2	G1	G0	B5 B0	B4	B3	B2	B1	-
9-bit	Transfer 1	R5	R4	R3	R2	R1	R0	G5	G4	G3	-	-	-	-	-	-	-	-	-
	Transfer 2	G2	G1	G0	B5	B4	B3	B2	B1	B0	-	-	-	-	-	-	-	-	-
8-bit	Transfer 1	R5 R0	R4	R3	R2	R1	G5	G4	G3	-	-	-	-	-	-	-	-	-	-
	Transfer 2	G2	G1	G0	B5 B0	B4	B3	B2	B1	-	-	-	-	-	-	-	-	-	-

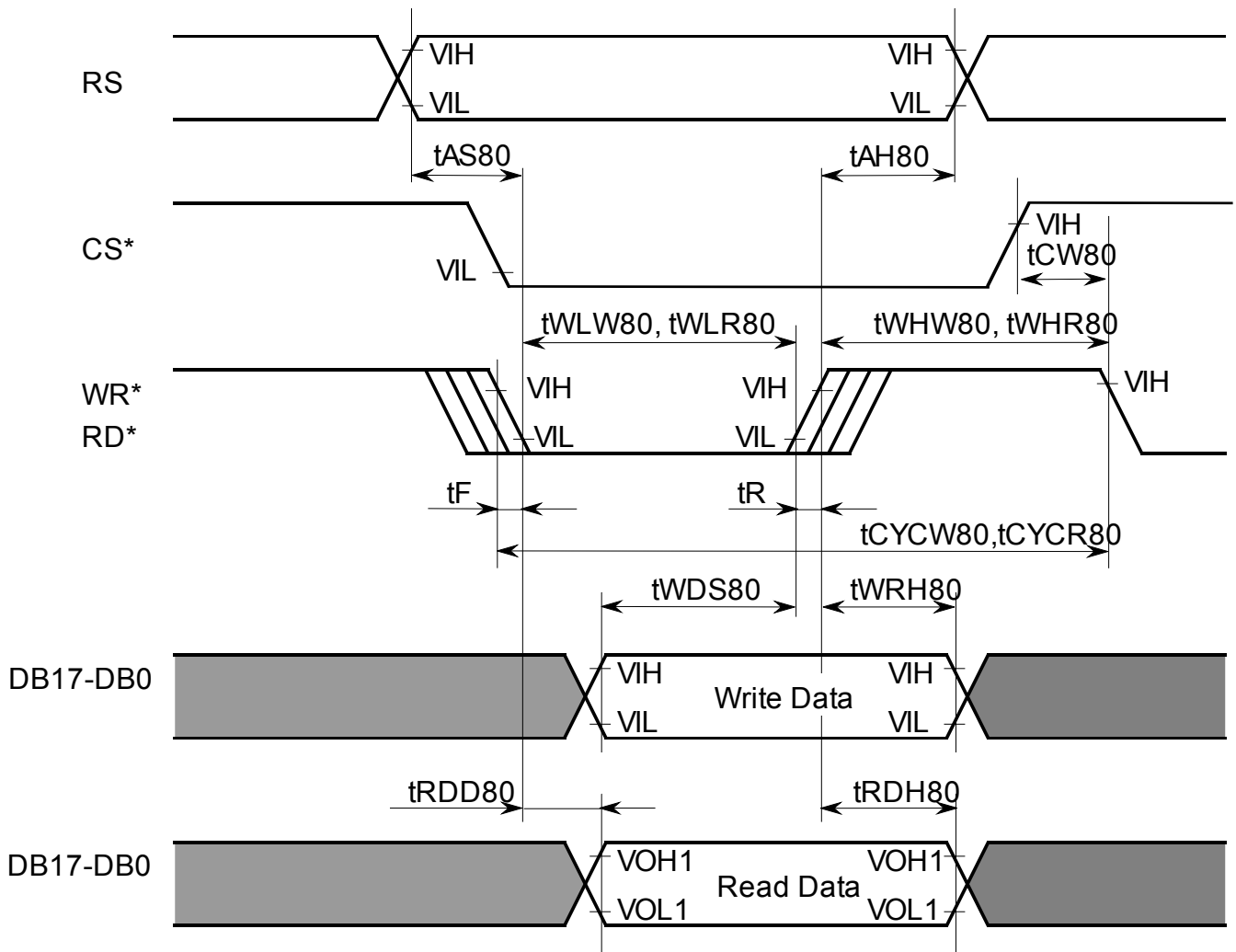
8.3 INTERFACE TIMING

8.3.1 80-System Bus Interface Timing Characteristics <<18 bits / 16 bits / 9 bits / 8 bits>>

[Normal Write Mode, VDD/I/O = 1.75 to 2.8 V]

V_{CC} = 2.8 V

Item		Symbol	Unit	Min	Typ	Max
Cycle time	Write	tCYCW80	ns	105	-	-
	Read	tCYCR80	ns	525	-	-
Pulse rise / fall time		tR, tF	ns	-	-	14
Pulse width low	Write	tWLW80	ns	35	-	-
	Read	tWLR80	ns	263	-	-
Pulse width high	Write	tWHW80	ns	35	-	-
	Read	tWHR80	ns	263	-	-
RS to CS, WR(RD) setup time		tAS80	ns	11	-	-
RS to CS, WR(RD) hold time		tAH80	ns	3	-	-
CS to WR(RD) time		tCT80	ns	16	-	-
Write data set up time		tWDS80	ns	21	-	-
Write data hold time		tWDH80	ns	11	-	-
Read data delay time		tRDD80	ns	-	-	190
Read data hold time		tRDH80	ns	11	-	-



Bus Timing

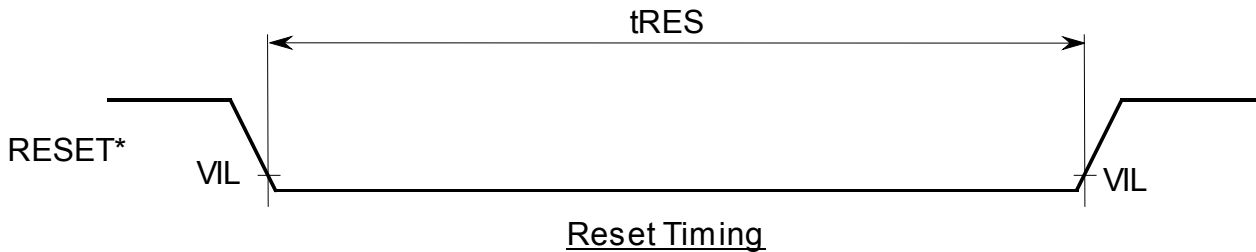
Notes (1) t_{WLW80} and t_{WLR80} are determined by the overlap period of low CS and low WR or low CS and low RD.

8.3.2 Reset Timing Characteristics

[VDD/O=1.75 to 2.8V]

V_{CC} = 2.8 V

Item	Symbol	Unit	Min	Typ	Max
Reset low pulse width	t _{RES}	ms	10	-	-

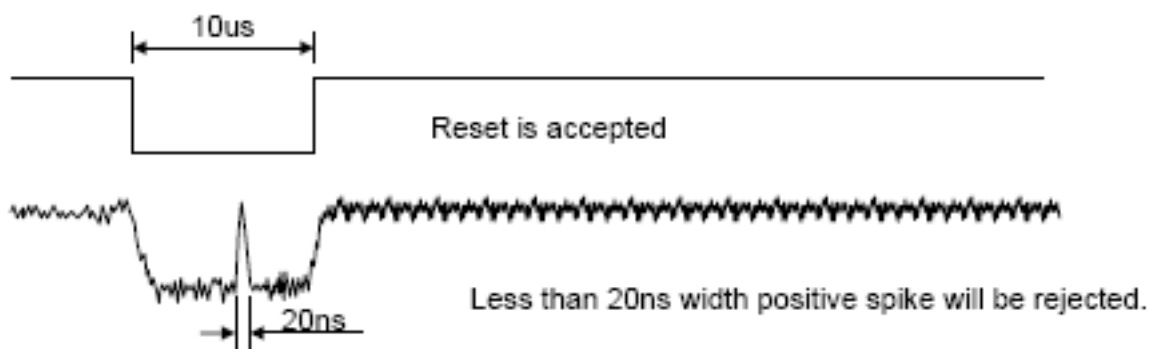


Notes (1) Reset low pulse width shorter than 10us do not make reset. It means undesired short pulse such as glitch, bouncing noise or electrostatic discharge do not cause irregular system reset. Please refer to the table below.

It _{RES} Pulse	Action
Shorter than 5 us	No reset
Longer than 10 us	Reset
Between 5 us and 10 us	Not determined

1. User may or may not use RESETB pin. In order to use it, user should satisfy the conditions described in the above tables. But when not wants to use RESETB, user may fix this pin to VDD3 level because internally generated POR (Power-On-Reset) is used.

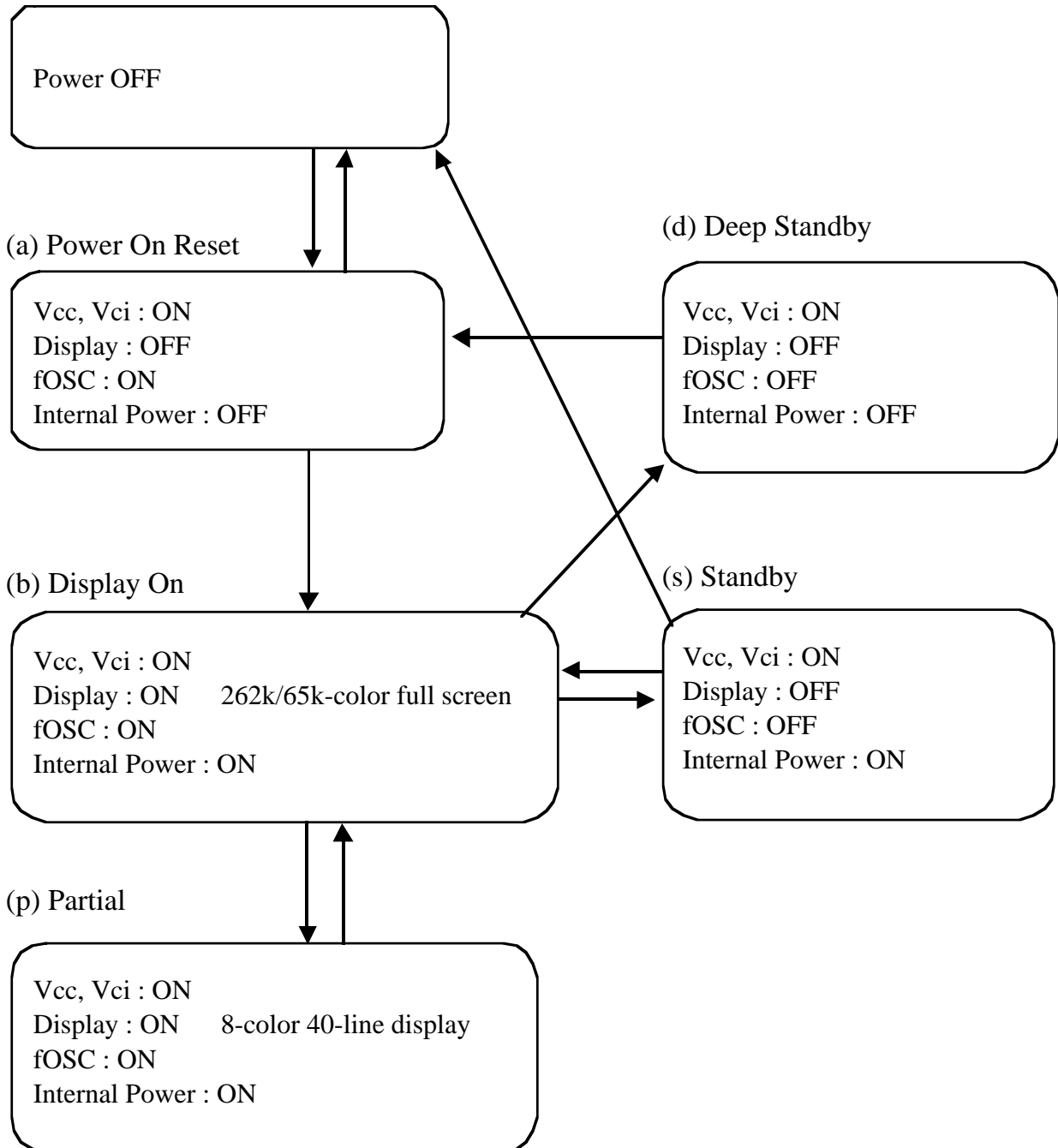
2. Spike Rejection also applies during a valid reset pulse as shown below:



8.4 REGISTER SETTING

8.4.1 State Transition Diagram of Operation Mode

(h) External Power Off



8.4.2 Sequence

State (h) to (a)		
		Last proposal
1	Power ON	Vcc ON
2		ioVcc ON
3		Vci ON
4	Reset	wait 1 ms Min.
5		reset* = "L"
6		wait 1 ms Min.
7		reset* = "H"
8		wait 10 ms Min.

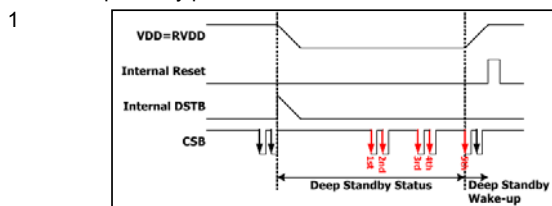
State (a) to (h)		
		Last proposal
1	Power OFF	Vci OFF
2		ioVcc OFF
3		Vcc OFF

State (s) to (h)		
		Last proposal
1	Display OFF	wait 20 ms Min.
2	Power OFF	Vci OFF
3		ioVcc OFF
4		Vcc OFF

State (b) to (d)		
		Last proposal
1	Display OFF	R15h 0x0000
2		R07h 0x0012
3		wait 2 frames Min.
4		R07h 0x0000
5		wait 1 frame Min.
6	Deep Standby	R10h 0x0002

State (d) to (a)		
		Last proposal
1	Reset	reset* = "L"
2		wait 10 μ s Min.
3		reset* = "H"
4		wait 10 ms

Otherwise, set CSB as follows (Low pulse width >10 μ s) and sequentially put "Wait 10ms".



2		wait 10ms
---	--	-------------

State (b) to (s)		
		Last proposal
1	Display OFF	R15h 0x0000
2		R07h 0x0012
3		wait 2 frames Min.
4		R07h 0x0000
5		wait 1 frame Min.
6	Standby	R10h 0x0001

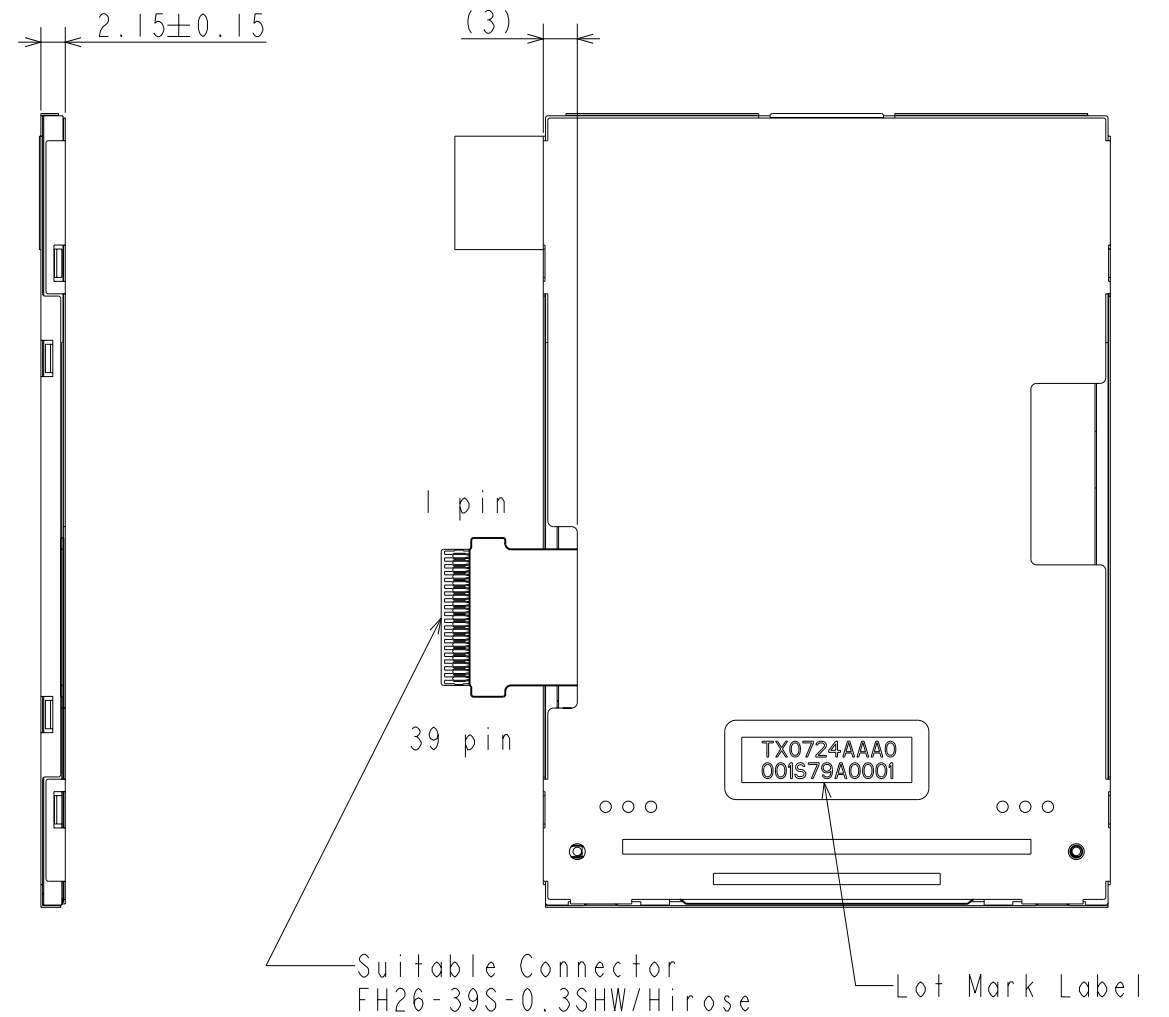
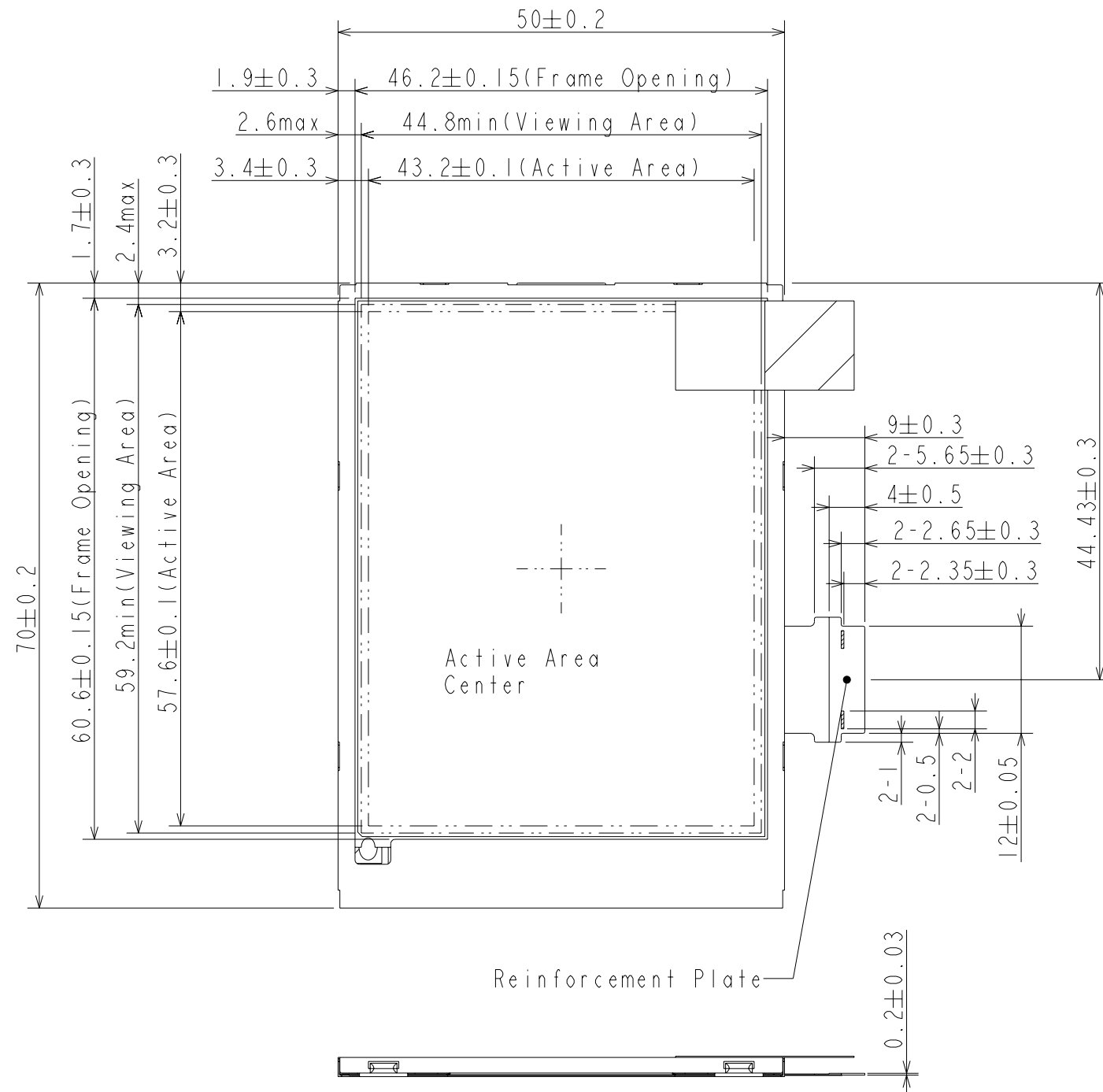
State (b) to (p)		
		Last proposal
1	Display OFF	R07h 0x0012
2	Power control	R10h 0x0100
3		R12h 0x2232
4	Vertical scroll control	R30h 0x0000
5	Vertical scroll control E	R31h 0x0027
6	Vertical scroll control S	R32h 0x0000
7	Vertical scroll control S	R33h 0x0000
8	Partial screen driving position END	R34h 0x0027
9	Partial screen driving position Start	R35h 0x0000
10	Horizontal RAM address position E	R36h 0x00EF
11	Horizontal RAM address position S	R37h 0x0000
12	Vertical RAM address position E	R38h 0x0027
13	Vertical RAM address position S	R39h 0x0000
14		wait 2 frames Min.
15	8-color	R07h 0x001A
16		wait 2 frames Min.
17	Display ON	R07h 0x101B
18	Image refresh	R20h 0x0000
19		R21h 0x0000
20		R22h -
21		Display data write 240x40

State (p) to (b)		
		Last proposal
1	Display OFF	R07h 0x0012
2	Power control	R10h 0x0710
3	Power control	R12h 0x2000
4	Vertical scroll control	R30h 0x0000
5	Vertical scroll control E	R31h 0x013F
6	Vertical scroll control S	R32h 0x0000
7	Vertical scroll control S	R33h 0x0000
8	Partial screen driving position END	R34h 0x013F
9	Partial screen driving position Start	R35h 0x0000
10	Horizontal RAM address position E	R36h 0x00EF
11	Horizontal RAM address position S	R37h 0x0000
12	Vertical RAM address position E	R38h 0x013F
13	Vertical RAM address position S	R39h 0x0000
14		wait 2 frames Min.
15	262k-color	R07h 0x1012
16		wait 2 frames Min.
17	Display ON	R07h 0x1013
18	Image refresh	R20h 0x0000
19		R21h 0x0000
20		R22h -
21		Display data write 240x320

State (a) to (b)		Last proposal	
1	Power setting (1)	R11h	0x001A
2		R12h	0x2000
3		R13h	0x0070
4		R14h	0x24E9
5	Equalizing control	R15h	0x0070
6		R10h	0x0710
7		wait	10ms
8	Power control (1)	R11h	0x0110
9		wait	10ms
10	Power control (2)	R11h	0x0312
11		wait	10ms
12	Power control (3)	R11h	0x0712
13		wait	10ms
14	Power control (4)	R11h	0x0F1A
15		wait	20ms
16	Power control (5)	R11h	0x0F3A
17		wait	30ms
18	Driver output control	R01h	0x0528
19	LCD-driving-waveform control	R02h	0x0100
20	Entry mode	R03h	0x1130
21	Display control (1)	R07h	0x0000
22	Display control (2)	R08h	0x0808 (FP=8, BP=8)
23	Frame cycle control	R0Bh	0x2102
24	External display interface control	R0Ch	0x0000
25		R0Eh	0x0200
26		R0Fh	0x1801
27		wait	10ms
28	Gamma setting	R50h	0x0500
29		R51h	0x000B
30		R52h	0x0200
31		R53h	0x0003
32		R54h	0x0002
33		R55h	0x0B00
34		R56h	0x0005
35		R57h	0x0300
36		R58h	0x0000
37		R59h	0x0000
38	Vertical scroll control	R30h	0x0000
39	Vertical scroll control E	R31h	0x013F
40	Vertical scroll control S	R32h	0x0000
41	Vertical scroll control S	R33h	0x0000
42	Horizontal RAM address position E	R36h	0x00EF
43	Horizontal RAM address position S	R37h	0x0000
44	Vertical RAM address position E	R38h	0x013F
45	Vertical RAM address position S	R39h	0x0000
46		wait	2 frames Min.
47		R07h	0x0012
48		wait	2 frames Min.
49	Display ON	R07h	0x1013 FLM ON
50	Image refresh	R20h	0x0000
51		R21h	0x0000
52		R22h	-
53		Display data write	240x320

State (s) to (b)		Last proposal	
1	Standby return	R10h	0x0000
2		wait	10ms
3	Power setting (1)	R11h	0x001A
4		R12h	0x2000
5		R13h	0x0070
6		R14h	0x24E9
7	Equalizing control	R15h	0x0070
8		R10h	0x0710
9		wait	10ms
10	Power control (1)	R11h	0x0110
11		wait	10ms
12	Power control (2)	R11h	0x0312
13		wait	10ms
14	Power control (3)	R11h	0x0712
15		wait	10ms
16	Power control (4)	R11h	0x0F1A
17		wait	20ms
18	Power control (5)	R11h	0x0F3A
19		wait	30ms
20	Driver output control	R01h	0x0528
21	LCD-driving-waveform control	R02h	0x0100
22	Entry mode	R03h	0x1130
23	Display control (1)	R07h	0x0000
24	Display control (2)	R08h	0x0808
25	Frame cycle control	R0Bh	0x2102
26	External display interface control	R0Ch	0x0000
27		R0Eh	0x0200
28		R0Fh	0x1801
29		wait	10ms
30	Gamma setting	R50h	0x0500
31		R51h	0x000B
32		R52h	0x0200
33		R53h	0x0003
34		R54h	0x0002
35		R55h	0x0B00
36		R56h	0x0005
37		R57h	0x0300
38		R58h	0x0000
39		R59h	0x0000
40	Vertical scroll control	R30h	0x0000
41	Vertical scroll control E	R31h	0x013F
42	Vertical scroll control S	R32h	0x0000
43	Vertical scroll control S	R33h	0x0000
44		R36h	0x00EF
45		R37h	0x0000
46		R38h	0x013F
47		R39h	0x0000
48		wait	2 frames Min.
49	Display ON	R07h	0x0012
50		wait	2 frames Min.
51	Display ON	R07h	0x1013
52	Image refresh	R20h	0x0000
53		R21h	0x0000
54		R22h	-
55		Display data write	240x320

9. Dimensional Outline



Unit:mm

Note

(1) The unspecified tolerance: ± 0.2