



CUBIT[®]-Pro Device

CellBus[®] Bus Switch

TXC-05802B

DATA SHEET

FEATURES

- UTOPIA and 16-Bit (ATM or PHY) Layer cell interfaces
- Inlet-side address translation and routing header insertion, using external SRAM of up to 256 kB
- Programmable OAM-cell and RM-cell routing
- CellBus bus access request, grant reception and bus transmission
- CellBus bus cell reception and address recognition
- Outlet cell queuing: various modes
- Ability to insert GFC field in real time
- Ability to insert FECN indication, under programmable conditions
- Ability to send and receive cells for control purposes over same CellBus bus
- Cell insertion and extraction via microprocessor port
- Master bus arbiter and frame pulse generator included in each CUBIT-Pro, with enabling pin
- Improved internal GTL+ transceivers for CellBus bus connection
- Interface port to translation table in SRAM
- Microprocessor control port, selectable for Intel or Motorola interface
- +5 V and +3.3 V power supplies (dual-supply operation) or single-supply +3.3 V operation
- 208-pin plastic quad flat package (28 x 28 mm)

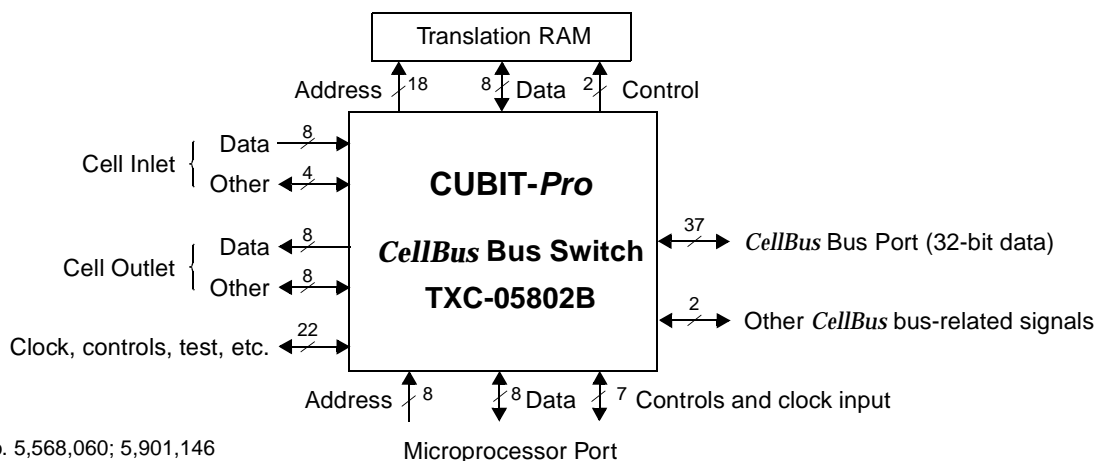
DESCRIPTION

CUBIT-Pro[™] is a single-chip solution for implementing cost effective ATM access systems. It is based on the CellBus[®] Bus Architecture (CellBus). Such systems are constructed from a number of CUBIT-Pro devices, all interconnected by a 37-line common bus, the CellBus bus. When operating at a 38 MHz clock rate, a CellBus bus system can handle 1 Gbit/s of net ATM cell bandwidth. CUBIT-Pro supports unicast and multicast transfers, and has all necessary functions for implementing a switch: cell address translation, cell routing, and outlet cell queuing.

The TXC-05802B has GTL+ drivers with improved slew rate control. This ensures CellBus compatibility with new generations of CellBus devices. The TXC-05802B is a functional replacement for the TXC-05802 and is targeted for GTL+ applications. It can operate with dual 5 V and 3.3 V supplies, or a single 3.3 V supply.

APPLICATIONS

- xDSL Access Multiplexer
- Remote Access Equipment
- Cable Modem Access Multiplexer
- ATM LAN hub
- ATM multiplexer/concentrator
- Small-stand-alone ATM switch
- Add-Drop Ring Switch
- Edge switching equipment



U.S. Patents No. 5,568,060; 5,901,146

U.S. and/or foreign patents issued or pending

Copyright © 2001 TranSwitch Corporation

CUBIT-Pro is a trademark of TranSwitch Corporation

TranSwitch, TXC, CellBus, CUBIT and SALI-25C are registered trademarks of TranSwitch Corporation

Document Number:

TXC-05802B-MB

Ed. 3, February 2001

TranSwitch Corporation • 3 Enterprise Drive • Shelton, Connecticut 06484 • USA

Tel: 203-929-8810 • Fax: 203-926-9453 • www.transwitch.com

TABLE OF CONTENTS

Section	Page
List of Figures	3
Block Diagram.....	5
Operation	7
Introduction to <i>CellBus</i> Bus Architecture	7
<i>CellBus</i> Bus Operation	7
<i>CellBus</i> Bus Cell Routing	9
<i>CellBus</i> Bus Status Signals and Monitoring	11
CUBIT-Pro Cell Inlet and Outlet Ports	11
8-Bit UTOPIA Mode - ATM and PHY Layer Emulation.....	12
Back-to-Back Mode	15
Byte Ordering for UTOPIA and Back-to-Back Modes.....	16
16-Bit Cell Interface Mode - ATM and PHY Layer Emulation.....	16
Word Ordering for 16-Bit Cell Interface Mode	19
Traffic Management Functions	19
Dynamic Generic Flow Control (GFC) Field Insertion	19
Forward Explicit Congestion Notification (FECN).....	20
Paralleling Cell Inlet/Outlet Ports for Redundancy	21
Inlet-side Translation	22
Introduction.....	22
Translation RAM Connections.....	23
Translation RAM Control	23
Translation RAM Organization	23
Translation Procedure	25
Translation Record Formats.....	27
Multicast Number Memory.....	31
The <i>CellBus</i> Bus Interface	31
Operation with Internal GTL+ Transceivers.....	31
Clock Source	32
Bus Arbiter Selection	32
Outlet-side Queue Management.....	32
Single Queue Operation	32
Split-Queue Operation.....	32
Microprocessor Interface	33
General Description.....	33
Intel Mode.....	33
Motorola Mode.....	34
Interrupts	34
Control Queue Send and Receive.....	36
Loopback Cell Send, Receive and Relay	38
Memory Map Reset States	39
Pin Diagram	40
Pin Descriptions	41
Absolute Maximum Ratings and Environmental Limitations	47
Thermal Characteristics	47
Power Requirements	47
Input, Output and Input/Output Parameters.....	48
Timing Characteristics	51
Memory Map	72
Memory Map Descriptions	74

Section	Page
Package Information	80
Ordering Information	81
Related Products.....	81
Standards Documentation Sources	83
List of Data Sheet Changes	85
Documentation Update Registration Form*	89

* Please note that TranSwitch provides documentation for all of its products. Customers who are using a TranSwitch Product, or planning to do so, should register with the TranSwitch Marketing Department to receive relevant updated and supplemental documentation as it is issued. They should also contact the Applications Engineering Department to ensure that they are provided with the latest available information about the product, especially before undertaking development of new designs incorporating the product.

LIST OF FIGURES

Figure	Page
1 CUBIT-Pro TXC-05802B Block Diagram	5
2 CellBus Bus Structure	7
3 CellBus Bus Frame Format	8
4 CellBus Bus 16/32-User Modes - Frame Formats	9
5 CellBus Bus Routing Header Formats	10
6 ATM Layer Emulation 8-Bit UTOPIA Mode Signal Connections and Operating Mode Selection	13
7 PHY Layer Emulation 8-Bit UTOPIA Mode Signal Connections and Operating Mode Selection	14
8 Back-to-Back Mode Signal Connections and Operating Mode Selection	15
9 Byte Ordering on Cell Inlet and Outlet in UTOPIA and Back-to-Back Modes	16
10 ATM Layer Emulation 16-Bit Mode Signal Connections and Operating Mode Selection	17
11 PHY Layer Emulation 16-Bit Mode Signal Connections and Operating Mode Selection	18
12 Word Ordering on Cell Inlet and Outlet in 16-Bit Mode	19
13 GFC Insertion on the Outlet Queue (GFCENA = 1)	19
14 Example of Congestion Indication in Single-Queue Mode (QM = 0)	20
15 Example of Congestion Indication in Split-Queue Mode (QM=1)	21
16 Translation RAM Connections	23
17 Translation RAM Organization	24
18 VCI Page 0 Organization (Bit OAMRMEN=1)	25
19 VPI Translation Record Formats	27
20 VCI Translation Record Formats	28
21 OAM F5 and RM-VCC Cell Routing (Bit OAMRMEN=1)	29
22 OAM F4 and RM-VPC Cell Routing (Bit OAMRMEN=1)	30
23 OAM/RM-Cells Translation Record Formats	30
24 Multicast Number Memory	31
25 External Circuit Requirements for GTL+ Transceivers	31
26 Microprocessor Port Interface Connections	33
27 CUBIT-Pro Status Register at Address 05H	34
28 CUBIT-Pro Status Register at Address 08H	35
29 Transmit and Receive Control Cell Formats	37
30 Loading the Loopback Registers	38
31 CUBIT-Pro TXC-05802B Pin Diagram	40
32 Translation RAM Timing - Read from RAM	82

**CUBIT-Pro
TXC-05802B****DATA SHEET****TRAN SWITCH®**

Figure	Page
33 Translation RAM Timing - Write to RAM	53
34 Timing of UTOPIA (ATM Layer Emulation) Cell Inlet Interface	54
35 Timing of UTOPIA (PHY Layer Emulation) Cell Inlet Interface	55
36 Timing of UTOPIA (ATM Layer Emulation) Cell Outlet Interface	56
37 Timing of UTOPIA (PHY Layer Emulation) Cell Outlet Interface	57
38 Timing of 16-Bit (ATM Layer Emulation) Cell Inlet Interface	58
39 Timing of 16-Bit (PHY Layer Emulation) Cell Inlet Interface	59
40 Timing of 16-Bit (ATM Layer Emulation) Cell Outlet Interface	60
41 Timing of 16-Bit (PHY Layer Emulation) Cell Outlet Interface	61
42 Timing of Back-to-Back Cell Receive Interface	62
43 Timing of Back-to-Back Cell Transmit Interface	63
44 GFC Field Insertion Timing	64
45 <i>CellBus</i> Bus Timing	65
46 <i>CellBus</i> Bus Frame Position, 16-User and 32-User Applications	66
47 Intel Microprocessor Read Cycle Timing	67
48 Intel Microprocessor Write Cycle Timing	68
49 Motorola Microprocessor Read Cycle Timing	69
50 Motorola Microprocessor Write Cycle Timing	70
51 Microprocessor Interrupt Timing	71
52 CUBIT-Pro TXC-05802B 208-Pin Plastic Quad Flat Package	80
53 CUBIT-Pro TXC-05802B and Related Product Applications in ATM Access Switching	82

DataSheet4U.com

et4U.com

DataShee

BLOCK DIAGRAM

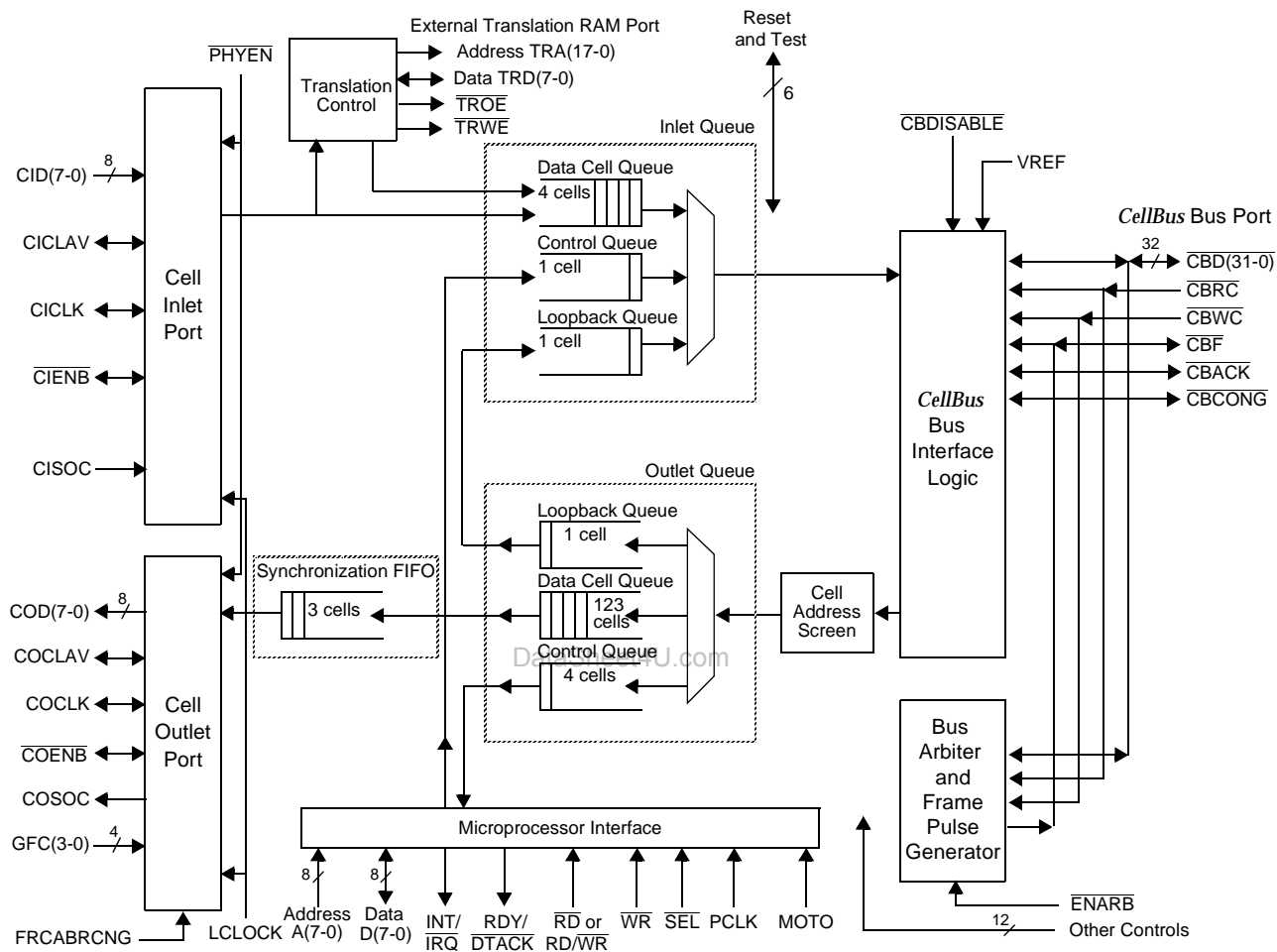


Figure 1. CUBIT-Pro TXC-05802B Block Diagram

A block diagram of the CUBIT-Pro device is shown in Figure 1. Further information on device operation and the interfaces to external circuits is provided below in the following Operation section.

On the cell inlet side of the CUBIT-Pro is circuitry associated with accepting cells from the line and passing them to the *CellBus* bus with an appropriate header. The Cell Inlet Port block is pin-selectable to be compliant with either the ATM Forum UTOPIA (Universal Test and Operations Physical Interface for ATM) interface, or a TranSwitch 16-Bit interface. Incoming cells may carry a *CellBus* Routing Header and translated outgoing VPI/VCI address, the translation function having been performed externally, or this address translation and routing header insertion may be done by the CUBIT-Pro Translation Control block. Translation and routing header tables to support this function are contained in an external static RAM (up to 256k x 8 bits). They support VPI and/or VPI/VCI address translation. The incoming cells then pass through a FIFO queue in the Inlet Queue block to the *CellBus* Bus Port via the *CellBus* Bus Interface Logic block. When there is a cell in this 4-cell data cell queue, the CUBIT-Pro makes a bus access request, and waits for a grant from the Bus Arbiter and Frame Pulse Generator block of the one CUBIT-Pro device attached to the bus that has been enabled to per-

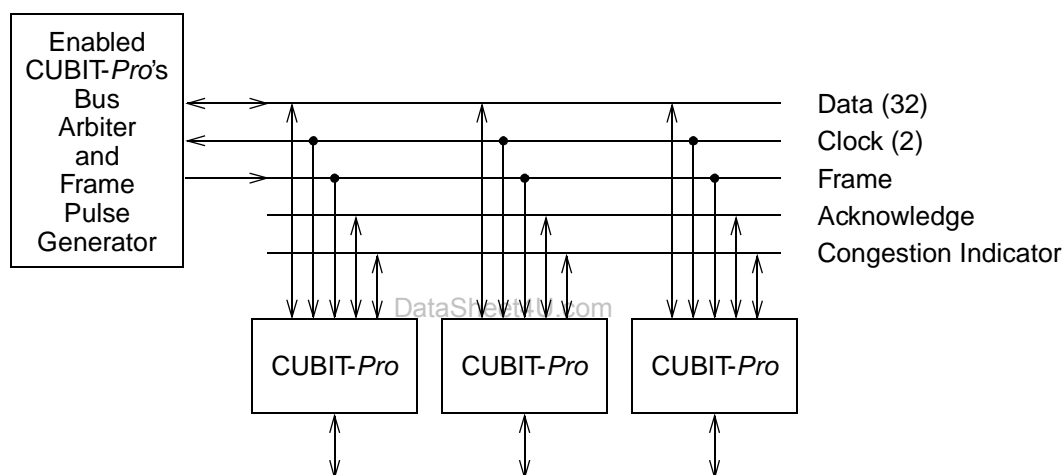
CUBIT-Pro
TXC-05802B**DATA SHEET****TRANSWITCH®**

form these two functions. When a bus access grant is received, the CUBIT-Pro sends the cell to the bus, in standard *CellBus* bus format. The cell can then be received by any connected CUBIT-Pro or CUBIT-Pros. In addition to these incoming data cells, the CUBIT-Pro can also send Control cells from the local microprocessor to the bus via the Microprocessor Interface block. Special cells of Loopback type received from the bus may also be returned to the bus, re-directed back to the CUBIT-Pro which launched the original Loopback cell. Both the Control cells and the Loopback cells have 1-cell inlet queues.

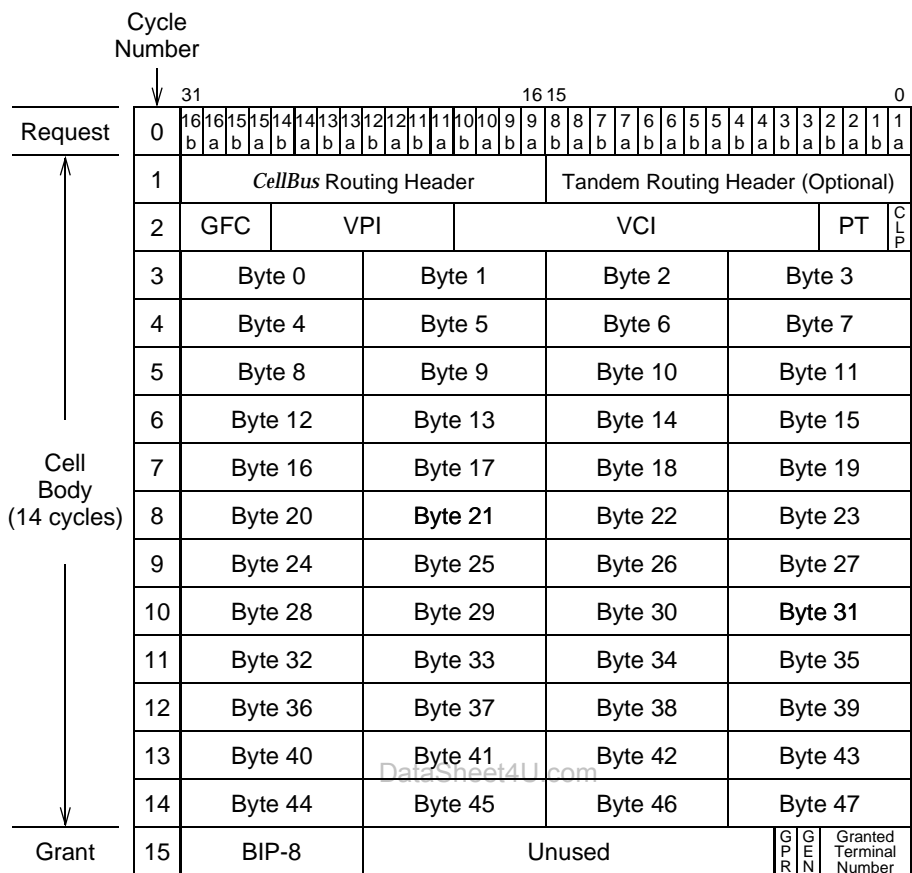
On the cell outlet side, cells of proper unicast address, broadcast address or selected multicast address, received from the bus via the *CellBus* Bus Interface Logic block, are recognized by the Cell Address Screen block and routed into a FIFO structure in the Outlet Queue block. The unicast address is unique per device, set by device straps. Each CUBIT-Pro may be programmed to accept cells associated with multicast sessions. From zero up to the full 256 multicast sessions may be accepted independently by each CUBIT-Pro on the bus. Data cells from the bus go into a 123-cell outlet data cell queue structure. Control cells and Loopback cells arriving from the bus are routed to the 4-cell outlet control queue, and the 1-cell outlet loopback queue, respectively. The outlet data cell FIFO structure can be treated as a single 123-cell queue, or it can be subdivided into four individual queues for traffic of different service types. The four-queue split is typically into high-speed control data cells, CBR cells, VBR cells, and ABR cells, in decreasing order of outlet service priority. This allows for delay minimization of critical service types, and for more efficient traffic management. At the cell outlet, provisions are made for insertion of an outgoing Generic Flow Control (GFC) field and an Explicit Forward Congestion Indication (EFCI) bit.

OPERATION**INTRODUCTION TO *CellBus* BUS ARCHITECTURE*****CellBus* Bus Operation**

The CUBIT-Pro is a versatile CMOS VLSI device for implementing ATM switching functions. Various ATM cell switching or multiplexing structures can be formed by interconnection of a number of CUBIT-Pro devices over a 37-line parallel bus with 32 data bits, the *CellBus* bus. Since the interconnect structure is a bus, communications between any of the devices on the bus is possible. Each cell placed onto the *CellBus* bus by a CUBIT-Pro device can be routed either to one single CUBIT-Pro (unicast addressing), or to multiple CUBIT-Pro devices (multicast or broadcast addressing). Depending upon the needs of an application, up to 32 CUBIT-Pro devices may be interconnected on one *CellBus* bus. With a maximum bus frequency of more than 38 MHz, the raw bandwidth of the *CellBus* bus exceeds 1 Gbit/s.

**Figure 2. *CellBus* Bus Structure**

The *CellBus* bus, shown in Figure 2, is a shared bus, and can be implemented either on a single circuit card, or in a backplane configuration among multiple circuit cards. Since multiple CUBIT-Pro's share the same bus, bus access contention must be resolved. This access contention is resolved by use of a central arbitration function. CUBIT-Pro's will request bus access, and the central Bus Arbiter will grant access back, in response. The circuitry for this Bus Arbiter is included inside the CUBIT-Pro device. Any one CUBIT-Pro in a system may be selected to perform the bus arbitration function by setting its $\overline{\text{ENARB}}$ pin low.

**Figure 3. CellBus Bus Frame Format**

The *CellBus* bus has a framed format 16 clock cycles long and 32 bits wide, which is illustrated in Figure 3. The first cycle of each frame is the Request cycle (Cycle 0), during which those CUBIT-Pro's which have a cell to send to the bus each make an access request by asserting one or two assigned bits on the bus. The \overline{CBF} , \overline{CBACK} and \overline{CBCONG} signals are asserted during a Request cycle. The device address assigned to each CUBIT-Pro by device straps ($\overline{UA(4-0)}$ at pins 2-6) uniquely specifies which two bits it may assert during the bus Request cycle time. For example, $\overline{UA(4-0)} = \text{HHHHH}$ selects bits 1a and 1b. By asserting one of its assigned bits, or the other, or both, access requests of three different priorities may be made (controlled via bits P1, P0 in memory address 0AH). A central Bus Arbiter accepts these access requests, executes an arbitration algorithm (highest priority served first, round-robin within each priority), and issues a bus access grant during the final cycle of the frame, the Grant cycle (Cycle 15). Each grant issued by the arbiter is for one CUBIT-Pro to send one cell to the bus. Whichever CUBIT-Pro is issued a grant during a Grant cycle will transmit its cell during the 14 Cell Body clock cycles of the next bus frame, and will also drive an 8-bit cell parity check during the Grant cycle of that bus frame. Each cell sent can be of unicast, multicast, or broadcast type. CUBIT-Pro's will accept single-address cells routed to an address defined by their address straps, all broadcast cells, and selected multicast cells. Thus, cells may be sent from any one CUBIT-Pro to any one CUBIT-Pro or to multiple CUBIT-Pro's.

The CUBIT-Pro can be operated in either 16-user or 32-user mode, selectable via the $\overline{U32}$ pin, as shown in Figure 4. For the 16-user mode the *CellBus* bus frame is identical to Figure 3. However, in 32-user mode the frame is duplicated, so that an odd and even frame are provided. The distinction between the two frames is

given by the location of the frame pulse. The cycles for both frames are the same, except for the meaning of the Request cycle. The Request cycle in the even frame coincides with the frame pulse, whereas in the odd frame the pulse is not present. Furthermore, in the even frame CUBIT-Pro's 0-15 (lower 16 users) request access to the bus and in the odd frame CUBIT-Pro's 16-31 (upper 16 users) request access to the bus. The full bus bandwidth is available to be shared among all the users on the bus in either 16 or 32-user mode.

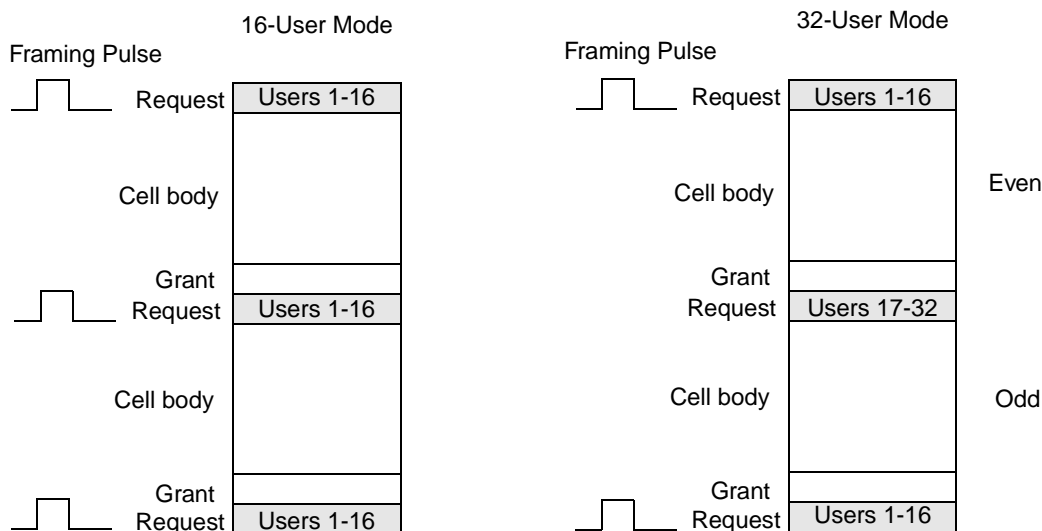


Figure 4. *CellBus* Bus 16/32-User Modes - Frame Formats

To detect *CellBus* bus errors, a BIP-8 (Bit Interleave Parity byte) is calculated over the 54-byte data field that extends from the first Tandem Routing Header byte through the final payload data byte, Byte 47. The BIP-8 is generated by the transmitting CUBIT-Pro using the following algorithm. The first byte of the Tandem Routing Header is exclusive-or gated with an all-ones byte, creating a starting seed value. This seed value is then exclusive-or gated with the second byte of the Tandem Routing Header. The result is then exclusive-or gated with the next byte in the cell. This process is repeated with every successive byte in the cell, through Byte 47 of the payload, and the final result is transmitted as the BIP-8 byte in cycle 15. The receiving CUBIT-Pro performs the same process and compares the generated BIP-8 with the received BIP-8. If no errors are detected the receiving CUBIT-Pro pulls $\overline{\text{CBACK}}$ low, acknowledging receipt of a cell. The *CellBus* Routing Header has its own CRC-4 field and is not included in the BIP-8 calculation. A cell with a BIP-8 or CRC-4 error is discarded.

The only signals required to operate the bus which are not sourced by a CUBIT-Pro device are two transfer clocks: write clock ($\overline{\text{CBWC}}$) and read clock ($\overline{\text{CBRC}}$). These clock signals are of the same frequency, but may be slightly phase-offset to allow for reliable bus operation. The framing pulse used to define the bus frame cycle is sent out by one of the CUBIT-Pro's, and the arbitration function is also performed by the same CUBIT-Pro. Each CUBIT-Pro contains the circuitry for both the Bus Arbiter and the Frame Pulse Generator. Only one CUBIT-Pro will have this circuitry enabled, by setting control pin $\overline{\text{ENARB}}$.

CellBus Bus Cell Routing

The *CellBus* bus architecture allows several types of cell routing from any one inlet port to the outlet ports of the CUBIT-Pro's on the *CellBus* bus:

- Point-to-Point Routing: In Unicast or Single Address cell routing a cell coming into an inlet port is transferred to a single outlet port. The CUBIT-Pro can address a cell to itself, effectively implementing both the inlet and outlet ports.

**CUBIT-Pro
TXC-05802B****DATA SHEET**

- Point-to-Multipoint (Broadcast): A cell coming into the inlet port can be routed to the outlet ports of all the CUBIT-Pro's on the *CellBus* bus.
- Point-to-Multipoint (Multicast): In multicast routing the cell arriving at the inlet port is sent to the subset of outlet ports that belong to the specific multicast session by means of selection in the receiving CUBIT-Pro's.

For each of the routing methods the cells can be sent to different output queues according to whether the cell is used as a data cell or as control/loopback cell. Furthermore, data cells can be selected to go to four different data outlet queues: Control Data queue, Constant Bit Rate (CBR) queue, Variable Bit Rate (VBR) queue, and Available Bit Rate (ABR) queue. The CUBIT-Pro can be programmed to receive cells into separate queues (split-queue mode) or not (single-queue mode).

The encoding rules for the two-byte *CellBus* Bus Routing Header in Bits 31-16 of Cycle 1 are summarized in Figure 5.

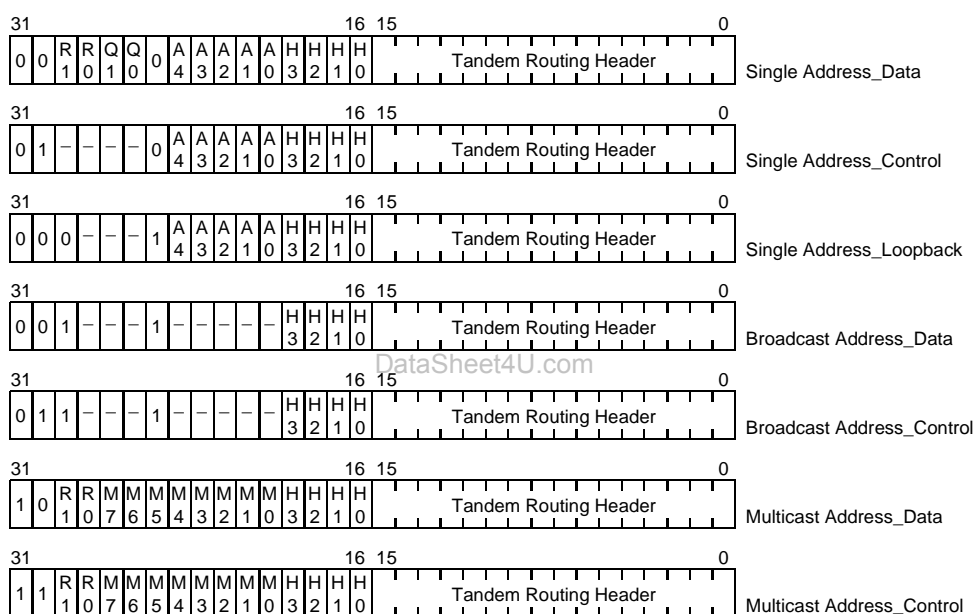


Figure 5. *CellBus* Bus Routing Header Formats

CellBus Bus Routing Header Format

The *CellBus* Bus Routing Header contains the following fields, as shown in Figure 5:

- R:** Multi-PHY selector field (2 bits). Not interpreted by CUBIT-Pro currently (passed through intact). This field is ignored.
- Q:** Queue selection field for split-queue mode (2 bits). 00 is outlet Control Data queue, 01 is Constant Bit Rate (CBR) queue, 10 is Variable Bit Rate (VBR) queue, 11 is Available Bit Rate (ABR) queue. This coding is only valid for data cells which contain Q1, Q0 fields in the header. For multicast and broadcast cell routing, cells are routed to the VBR and CBR queues, respectively, when using split-queue mode.
- A:** CUBIT-Pro single address field (5 bits, for 32 addresses). A0 is the LSB. For example, A(4-0)=00000 is the address value for the CUBIT whose five device identity straps $\overline{UA}(4-0)$ are all tied high (HHHHH).
- M:** Multicast number field (8 bits, for 256 multicast sessions). M0 is the LSB.
- H:** CRC-4 field. This 4-bit field (H3-H0) provides Routing Header error protection across the *CellBus* bus in

both directions. It is calculated over the 12-bit word (X11-X0) in bits 31-20 of the Routing Header using the following logic:

$$H3 = \overline{(X7 \oplus X9 \oplus X3 \oplus X10 \oplus X8 \oplus X5 \oplus X2)}$$

$$H2 = (X6 \oplus X8 \oplus X2 \oplus X9 \oplus X7 \oplus X4 \oplus X1)$$

$$H1 = \overline{(X5 \oplus X7 \oplus X1 \oplus X8 \oplus X6 \oplus X3 \oplus X0)}$$

$$H0 = (X8 \oplus X10 \oplus X11 \oplus X4 \oplus X9 \oplus X6 \oplus X3 \oplus X0)$$

where \oplus represents logical exclusive-or. For cells arriving from the *CellBus* bus, the CUBIT-Pro automatically calculates the corresponding CRC-4 and sets to 1 the status bit CRCF (bit 7 in register 08H) if it is not the same as that in bits H3-H0 of the received Routing Header. This status bit may be enabled to cause an interrupt signal to the microprocessor by setting to 1 the enable bit INTEN7 (bit 7 in register 09H). For cells supplied to the cell inlet interface from an external source for transmission via the *CellBus* bus, the CRC-4 may either be supplied in the input signal by use of external logic (as is required for the CUBIT device) or it may be generated internally and inserted into the Routing Header by the CUBIT-Pro. Setting control bit CRC4EN to 1 (bit 3 in register 0EH) activates the internal CRC-4 insertion for all incoming cells (i.e., not only data cells, but also control cells and loopback cells). When control bit CRC4I (bit 4 in register 0EH) is set to 1 the internally generated CRC-4 is inverted for testing purposes. This bit has no effect on an externally-supplied CRC-4. For operation in the CUBIT TXC-05801 mode with an externally-supplied CRC-4, bit CRC4EN should be set to 0, which is the default at power-up/reset.

Tandem Routing Header Format

The two-byte Tandem Routing Header format in Bits 15-0 of Cycle 1 is the same as the *CellBus* Bus Routing Header format, if it is to be used by a cascaded *CellBus* bus, or may conform to a different specification if it is used by another system. The Tandem Routing Header is passed unchanged through the *CellBus* bus.

CellBus Bus Status Signals and Monitoring

The CUBIT-Pro provides the capability to monitor the activity on the *CellBus* bus. The essential signals that determine whether the bus is active (in the absence of any cell traffic) are the clock signals and the frame pulse.

The *CellBus* bus clocks (read and write) are generated externally to the CUBIT-Pro. If either of these clocks fails, the entire bus will cease operation. The CUBIT-Pro provides the capability to detect the absence of clock signal for more than the equivalent of 32 processor clock (PCLK) cycles. The failure detection is performed independently for the *CellBus* Bus Read Clock (\overline{CBRC}) and the *CellBus* Bus Write Clock (\overline{CBWC}).

Two bits (register 05H bits CBLORC and CBLOWC) in the CUBIT-Pro memory map are used to indicate the clock loss event. Once the event is detected, these bits in register 05H will remain set to one until the microprocessor reads the register, at which point the register will be cleared. These events can be used to generate a microprocessor interrupt provided that the appropriate bits in the interrupt enable register (address 06H, bits INTENA1 and INTENA0) are 1.

The second monitoring function concerns the detection of loss of frame. The detection mechanism looks for two consecutive missing *CellBus* bus frame pulses in 32-user mode ($\overline{U32} = \text{Low}$), and four consecutive missing *CellBus* bus frame pulses in 16-user mode. The *CellBus* Bus Read Clock must be present to detect Loss of Frame Pulse. If *CellBus* Bus Read Clock is present and *CellBus* Bus Write Clock is not, then both CBLOWC and CBLOF will be set. CBLOF can generate an interrupt to the microprocessor assuming that the appropriate interrupt enable bit is 1 (register 06H, bit 2: INTENA2).

CUBIT-Pro CELL INLET AND OUTLET PORTS

The Cell Inlet and Outlet ports constitute the main interfaces for the cell traffic between the CUBIT-Pro and other devices in either the upper ATM or Physical (PHY) Layers. Several interfaces are supported by the device: UTOPIA 8-bit mode, TranSwitch 16-Bit mode and Back-to-Back (CUBIT-Pro-to-CUBIT-Pro interface).

The CUBIT-Pro can provide address translation if selected via the input pin $\overline{\text{TRAN}}$ (pin 154). If no translation is selected, the external hardware must provide the *CellBus* Bus Routing Header, the Tandem Routing Header (optional), and the ATM cell. If translation mode is selected, the hardware is required only to provide the ATM cell and the CUBIT-Pro will perform the translation based on the information programmed into the attached translation SRAM.

For all the modes the cell size is selectable via external pins $\overline{\text{LMODE2}}$, $\overline{\text{LMODE1}}$ and $\overline{\text{LMODE0}}$ (pins 156, 157, and 158, respectively), as described below. This feature permits the CUBIT-Pro to accommodate the requirements for different designs.

Additionally, the UTOPIA and 16-Bit modes can be selected to behave as either the master (ATM layer device) or the slave (PHY layer device). The selection between ATM and PHY layer device for the UTOPIA and 16-Bit modes is made via the $\overline{\text{PHYEN}}$ pin (pin 48), where a low enables PHY layer device operation.

The CUBIT-Pro allows the selection of the clock for the cell Inlet/Outlet operation from three different sources: *CellBus* bus clocks ($\overline{\text{CBRC}}$, pin 78 and $\overline{\text{CBWC}}$, pin 77), processor clock (PCLK, pin 32), or an externally supplied clock (LCLOCK, pin 45). The clock selected will be used for the UTOPIA and 16-Bit ATM layer device modes and the Back-to-Back (cell inlet clock) mode, for which the CUBIT-Pro sources the interface clock. For all other modes the clock is an input to the CUBIT-Pro. The selection of the clock source for the cell interfaces is performed via six control bits in register 0BH: CLKS1, CLKS0 and LINEDIV (3-0). The coding for the clock selection is as follows:

DataSheet4U.com

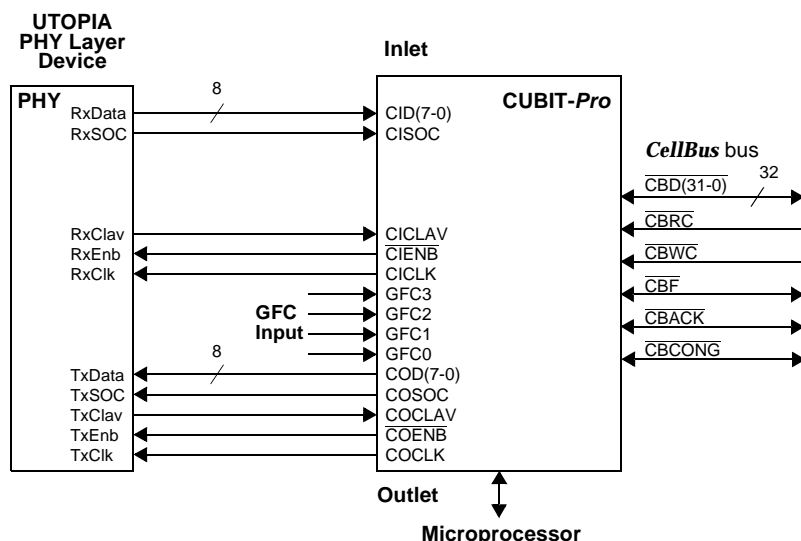
- CLKS1, CLKS0 = 0,0: Cell interface clock = *CellBus* bus clock divided by 2^{LINEDIV}
- CLKS1, CLKS0 = 0,1: Cell interface clock = LCLOCK clock divided by 2^{LINEDIV}
- CLKS1, CLKS0 = 1,0: Cell interface clock = PCLK clock divided by 2^{LINEDIV}
- CLKS1, CLKS0 = 1,1: Reserved, do not use

8-Bit UTOPIA Mode - ATM and PHY Layer Emulation

Typical signal connections for the CUBIT-Pro when operating in UTOPIA mode are illustrated in Figures 6 and 7, for ATM Layer and PHY Layer cell level handshake modes, respectively. The operating mode options for UTOPIA mode are controlled by the input pins $\overline{\text{TRAN}}$, $\overline{\text{PHYEN}}$, $\overline{\text{LMODE2}}$, $\overline{\text{LMODE1}}$ and $\overline{\text{LMODE0}}$, as indicated in the tables of Figures 6 and 7. $\overline{\text{TRAN}}$ selects the internal translation mode, if asserted. In UTOPIA mode, $\overline{\text{PHYEN}}$ determines whether the CUBIT-Pro emulates an ATM or PHY device. $\overline{\text{LMODE2}}$, $\overline{\text{LMODE1}}$ and $\overline{\text{LMODE0}}$ determine the cell inlet/outlet cell size.

When internal translation is used, the cell input and cell output is exactly that defined by UTOPIA, with 53-byte inlet cells. For applications in which the internal translation function is not used, the timing and logical flow of the cell input and cell output is still identical to that of UTOPIA, except that 57-byte or 55-byte inlet cells are used, instead of 53. The additional bytes are the Routing Header bytes which would be inserted by the CUBIT-Pro if the translation function were used, but are instead added by an external translation function. The pin connections and the different inlet and outlet byte counts per cell in the various modes are shown in the table of Figure 6 for ATM Layer emulation. Similarly, Figure 7 shows the pin connections and byte counts for PHY Layer emulation.

The $\overline{\text{ABRENA}}$ pin must be held high or left floating (it has internal pull-up) for proper UTOPIA mode operation.

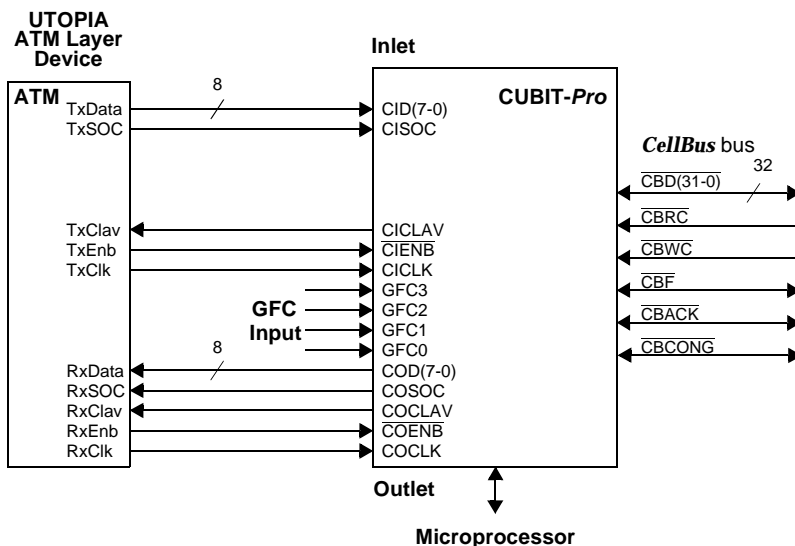
Figure 6. ATM Layer Emulation 8-Bit UTOPIA Mode Signal Connections and Operating Mode Selection

$\overline{\text{PHYEN}}$	$\overline{\text{TRAN}}$	$\overline{\text{LMODE2}}$	$\overline{\text{LMODE1}}$	$\overline{\text{LMODE0}}$	Operating Mode: Inlet	Operating Mode: Outlet
High	High	High	X	High	UTOPIA, 57 bytes: cell plus <i>CellBus</i> Bus Routing Header plus two bytes of Tandem Routing Header	UTOPIA, 53-byte cell
High	High	High	High	Low	UTOPIA, 57 bytes: cell plus <i>CellBus</i> Bus Routing Header plus two bytes of Tandem Routing Header	UTOPIA, 55 bytes: cell plus Tandem Routing Header
High	High	Low	Low	High	UTOPIA, 55 bytes: cell plus <i>CellBus</i> Bus Routing Header	UTOPIA, 53-byte cell
High	High	Low	Low	Low	UTOPIA, 55 bytes: cell plus <i>CellBus</i> Bus Routing Header	UTOPIA, 55 bytes: cell plus Tandem Routing Header
High	Low	High	High	High	UTOPIA, 53-byte cell	UTOPIA, 53-byte cell
High	Low	High	High	Low	UTOPIA, 53-byte cell	UTOPIA, 55 bytes: cell plus Tandem Routing Header
High	High	Low	High	High	Reserved	Reserved
High	Low	Low	High	High	Reserved	Reserved
High	Low	Low	High	Low	Reserved	Reserved
High	Low	Low	Low	High	Reserved	Reserved

Note: High = $V_{\text{DDIO}} = +5\text{V}$; Low = $V_{\text{SS}} = \text{Ground}$; X = Don't Care

www.DataSheet4U.com

CUBIT-Pro
TXC-05802B
DATA SHEET

Figure 7. PHY Layer Emulation 8-Bit UTOPIA Mode Signal Connections and Operating Mode Selection


PHYEN	TRAN	LMODE2	LMODE1	LMODE0	Operating Mode: Inlet	Operating Mode: Outlet
Low	High	High	X	High	UTOPIA, 57 bytes: cell plus <i>CellBus</i> Bus Routing Header plus two bytes of Tandem Routing Header	UTOPIA, 53-byte cell
Low	High	High	High	Low	UTOPIA, 57 bytes: cell plus <i>CellBus</i> Bus Routing Header plus two bytes of Tandem Routing Header	UTOPIA, 55 bytes: cell plus Tandem Routing Header
Low	High	Low	Low	High	UTOPIA, 55 bytes: cell plus <i>CellBus</i> Bus Routing Header	UTOPIA, 53-byte cell
Low	High	Low	Low	Low	UTOPIA, 55 bytes: cell plus <i>CellBus</i> Bus Routing Header	UTOPIA, 55 bytes: cell plus Tandem Routing Header
Low	Low	High	High	High	UTOPIA, 53-byte cell	UTOPIA, 53-byte cell
Low	Low	High	High	Low	UTOPIA, 53-byte cell	UTOPIA, 55 bytes: cell plus Tandem Routing Header
Low	High	Low	High	High	Reserved	Reserved
Low	Low	Low	High	High	Reserved	Reserved
Low	Low	Low	High	Low	Reserved	Reserved
Low	Low	Low	Low	High	Reserved	Reserved

Back-to-Back Mode

The Back-to-Back mode is used to support interconnection of two *CellBus* buses, as shown in Figure 8. If pin $\overline{\text{TRAN}}$ is low, each of the CUBIT-Pro's has a translation memory connected, the cell address translation function is active, and the inlet cells are 53 bytes long. The cells from the outlet can either be 55 or 53 bytes long. If 55 bytes are selected, the cell will carry the Tandem Routing Header from the *CellBus* bus.

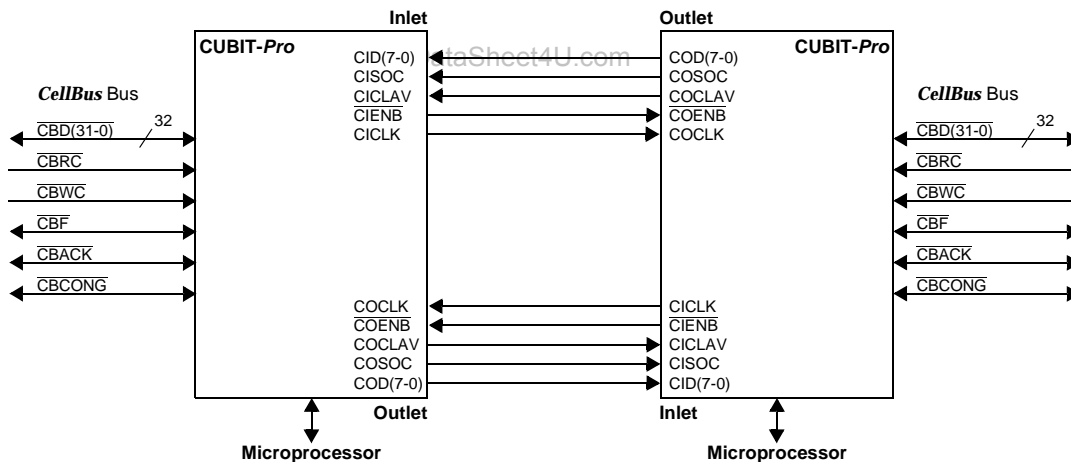
If $\overline{\text{TRAN}}$ is high, the translation function is not used. The transfers into the cell inlet will 55 bytes long. The two initial bytes are presented to the CUBIT-Pro as the *CellBus* Bus Routing Header. The cell outlet can present cells of either 55 or 53 bytes, whether or not internal translation is performed on the cell inlet side. If 55 bytes are selected, the cell will carry the Tandem Routing Header from the *CellBus* bus.

The cell outlet will carry two extra bytes which are the Tandem Routing Header from the *CellBus* bus. These two bytes are presented to the inlet port of the connected CUBIT-Pro, which uses them as a *CellBus* Bus Routing Header when it puts the cell on the bus.

In order to avoid re-transmission of multicast or broadcast cells from one *CellBus* bus to another, and back again, a CUBIT-Pro which is operating in the Back-to-Back mode will reject all incoming broadcast and multicast cells which originated from its own inlet side.

The timing of this mode is similar to that for UTOPIA ATM Layer emulation mode, except that the directionality of the COCLAV, $\overline{\text{COENB}}$ and COCLK signals is reversed, as shown in the connections diagrams of Figures 6 and 8.

The $\overline{\text{ABRENA}}$ pin must be held high or left floating (it has internal pull-up).

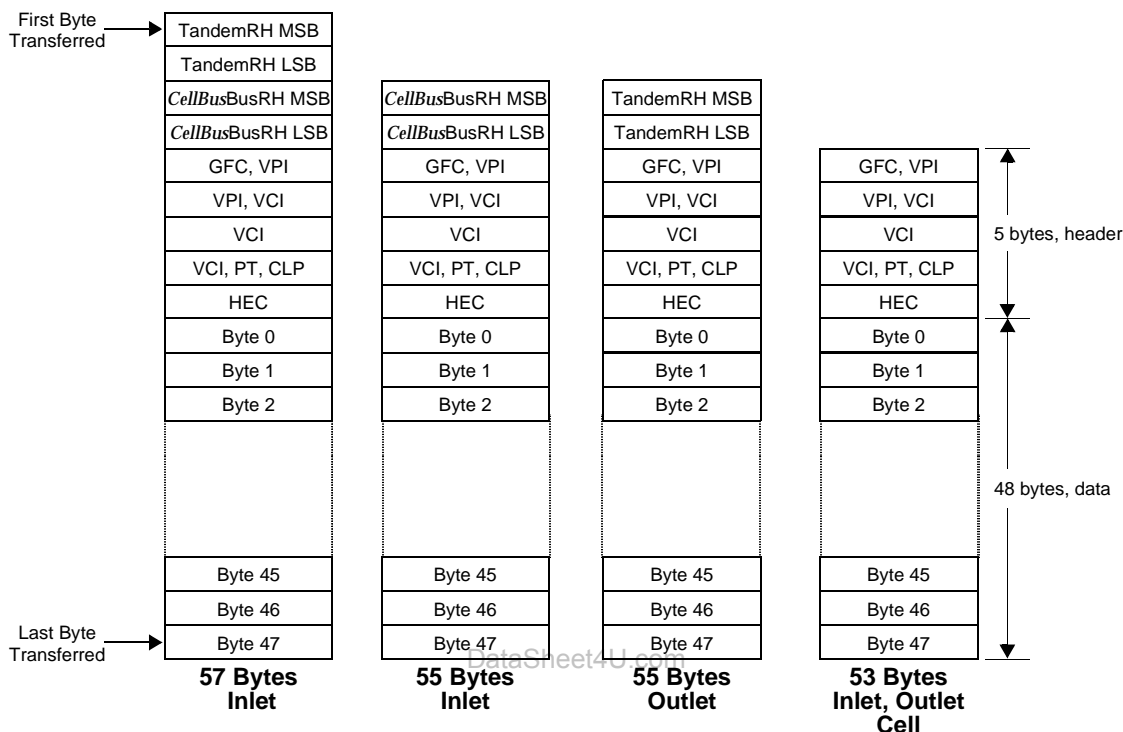


PHYEN	TRAN	LMODE2	LMODE1	LMODE0	Operating Mode: Inlet	Operating Mode: Outlet
X	High	High	Low	Low	Back-to-Back: 55 bytes, cell plus two bytes of <i>CellBus</i> Bus Routing Header	Back-to-Back: 55 bytes, cell plus two bytes of Tandem Routing Header
X	Low	High	Low	Low	Back-to-Back: 53-byte cell	Back-to-Back: 53-byte cell
X	Low	Low	Low	Low	Back-to-Back: 53-byte cell	Back-to-Back: 55 bytes, cell plus two bytes of Tandem Routing Header
X	High	Low	High	Low	Back-to-Back: 55 bytes, cell plus two bytes of <i>CellBus</i> Bus Routing Header	Back-to-Back: 53-byte cell

Figure 8. Back-to-Back Mode Signal Connections and Operating Mode Selection www.DataSheet4U.com

Byte Ordering for UTOPIA and Back-to-Back Modes

Byte ordering for the two cell inlet and outlet alternatives described above is illustrated in Figure 9.



Note: RH = Routing Header

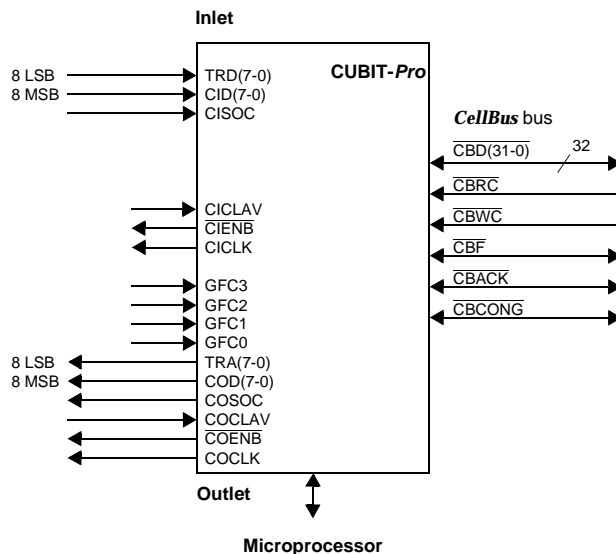
Figure 9. Byte Ordering on Cell Inlet and Outlet in UTOPIA and Back-to-Back Modes

16-Bit Cell Interface Mode - ATM and PHY Layer Emulation

16-Bit cell interface mode can be selected to emulate an ATM Layer UTOPIA device, or alternatively to emulate a PHY Layer UTOPIA device, as shown in Figures 10 and 11, respectively.

16-Bit mode is enabled by setting device strap pin $\overline{\text{ABRENA}}$ low, with the settings of $\overline{\text{TRAN}}$, $\overline{\text{LMODE2}}$, $\overline{\text{LMODE1}}$ and $\overline{\text{LMODE0}}$ selected according to the table in Figure 10 for ATM Layer emulation, or according to the table in Figure 11 for PHY Layer emulation. The PHY Layer emulation is enabled with $\overline{\text{PHYEN}}$.

The timing of the 16-Bit mode is identical to that of the UTOPIA mode, but the data width is expanded to a word of 16 bits in and out. The translation RAM is not used in this case. The extra 8 inlet bits are connected to the pins used for the data of the translation RAM, TRD (7-0), and the extra 8 outlet pins are the pins for the 8 LSB of the translation RAM address output, TRA (7-0).



PHYEN	TRAN	LMODE2	LMODE1	LMODE0	Operating Mode: Inlet	Operating Mode: Outlet
High	X	Low	High	Low	16-Bit: 29 words, cell plus one word of Tandem Routing Header, plus one word of <i>CellBus</i> Bus Routing Header	16-Bit: 28 words, cell plus one word of Tandem Routing Header
High	X	Low	High	High	16-Bit: 29 words, cell plus one word of Tandem Routing Header, plus one word of <i>CellBus</i> Bus Routing Header	16-Bit: 27-word cell
High	X	High	X	X	16-Bit: 28 words, cell, plus one word of <i>CellBus</i> Bus Routing Header	16-Bit: 28 words, cell plus one word of Tandem Routing Header
High	X	Low	Low	High	16-Bit: 28 words, cell, plus one word of <i>CellBus</i> Bus Routing Header	16-Bit: 27-word cell
High	X	Low	Low	Low	Reserved	Reserved

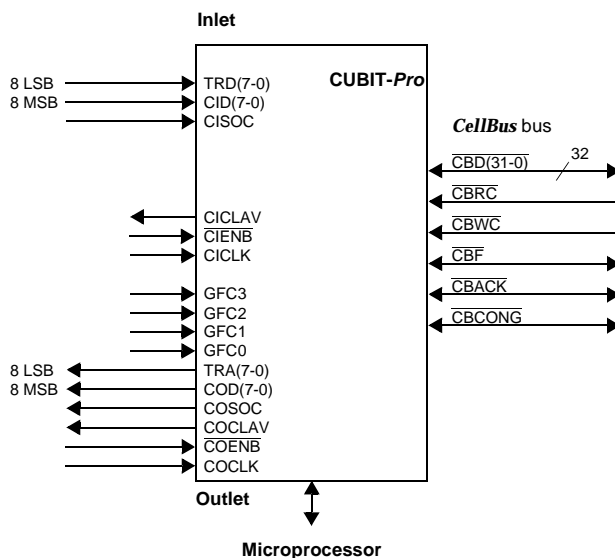
Figure 10. ATM Layer Emulation 16-Bit Mode Signal Connections and Operating Mode Selection

CUBIT-Pro
TXC-05802B

DATA SHEET

TRAN SWITCH®

Figure 11. PHY Layer Emulation 16-Bit Mode Signal Connections and Operating Mode Selection



PHYEN	TRAN	LMODE2	LMODE1	LMODE0	Operating Mode: Inlet	Operating Mode: Outlet
Low	X	Low	High	Low	16-Bit: 29 words, cell plus one word of Tandem Routing Header, plus one word of <i>CellBus</i> Bus Routing Header	16-Bit: 28 words, cell plus one word of Tandem Routing Header
Low	X	Low	High	High	16-Bit: 29 words, cell plus one word of Tandem Routing Header, plus one word of <i>CellBus</i> Bus Routing Header	16-Bit: 27-word cell
Low	X	High	X	X	16-Bit: 28 words, cell, plus one word of <i>CellBus</i> Bus Routing Header	16-Bit: 28 words, cell plus one word of Tandem Routing Header
Low	X	Low	Low	High	16-Bit: 28 words, cell, plus one word of <i>CellBus</i> Bus Routing Header	16-Bit: 27-word cell
Low	X	Low	Low	Low	Reserved	Reserved

Word Ordering for 16-Bit Cell Interface Mode

The word ordering for 16-Bit mode is shown in Figure 12.

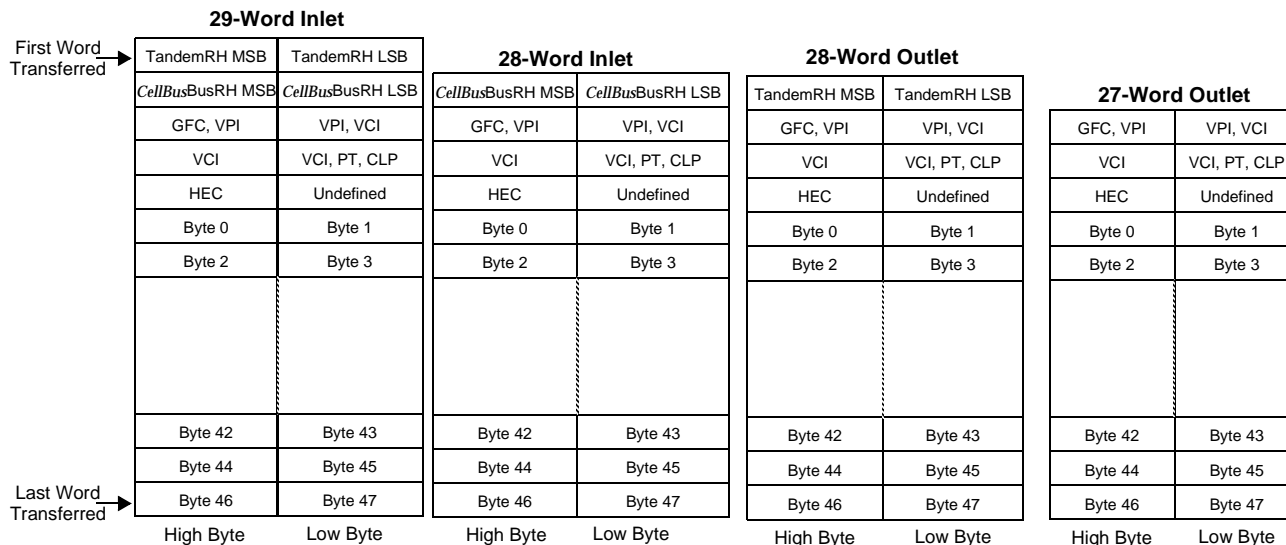


Figure 12. Word Ordering on Cell Inlet and Outlet in 16-Bit Mode

DataSheet4U.com

TRAFFIC MANAGEMENT FUNCTIONS**Dynamic Generic Flow Control (GFC) Field Insertion**

The CUBIT-Pro can insert the value of the first nibble of the ATM cell header in real time. The value of the GFC nibble is supplied to the CUBIT-Pro via the input pins GFC(3-0). The insertion of the GFC value is enabled via the control bit GFCENA, as shown in Figure 13.

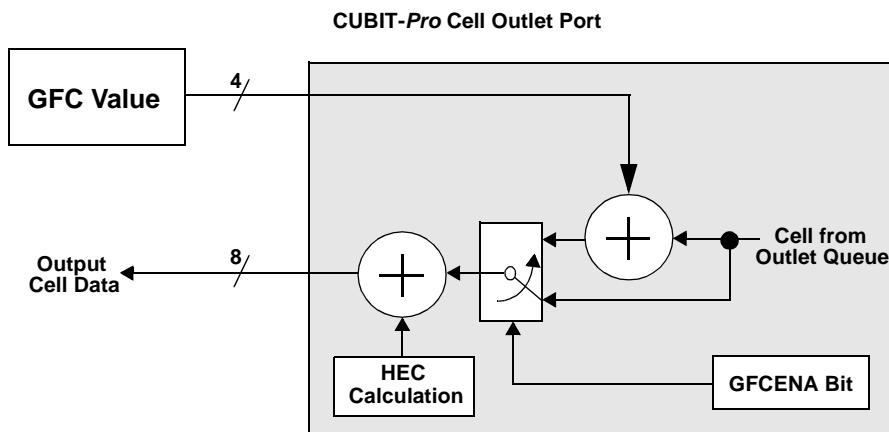


Figure 13. GFC Insertion on the Outlet Queue (GFCENA = 1)

If control bit GFCENA (Control Register Address 0CH, Bit 1) is set to one, then the state of the four Generic Flow Control input pins GFC(3-0) will be accepted during the leading rising edge of the clock for the first byte of

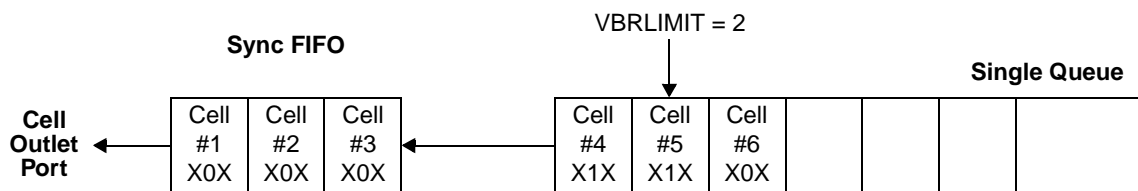
the ATM cell header and inserted as an outgoing GFC on the following cell (see timing diagram in Figure 44 for details). Therefore the GFC value is inserted into the next outgoing cell.

Forward Explicit Congestion Notification (FECN)

The CUBIT-Pro can notify an impending congested state by setting to one the middle bit of the Payload Type (PT) field in the ATM cell header. This Explicit Forward Congestion Indication bit (EFCI) will be asserted on a cell if both of two conditions occur at the same time:

- Bit 0 in register 0CH is set to one (IFECN = 1), and
- QM (bit 2 in register 0CH) = 0 and VBR Limit reached, or QM=1 and VBR Limit or CBR Limit reached.

The activation of the EFCI bit in the single-queue (QM = 0) and split-queue (QM = 1) modes is illustrated in Figures 14 and 15, respectively.



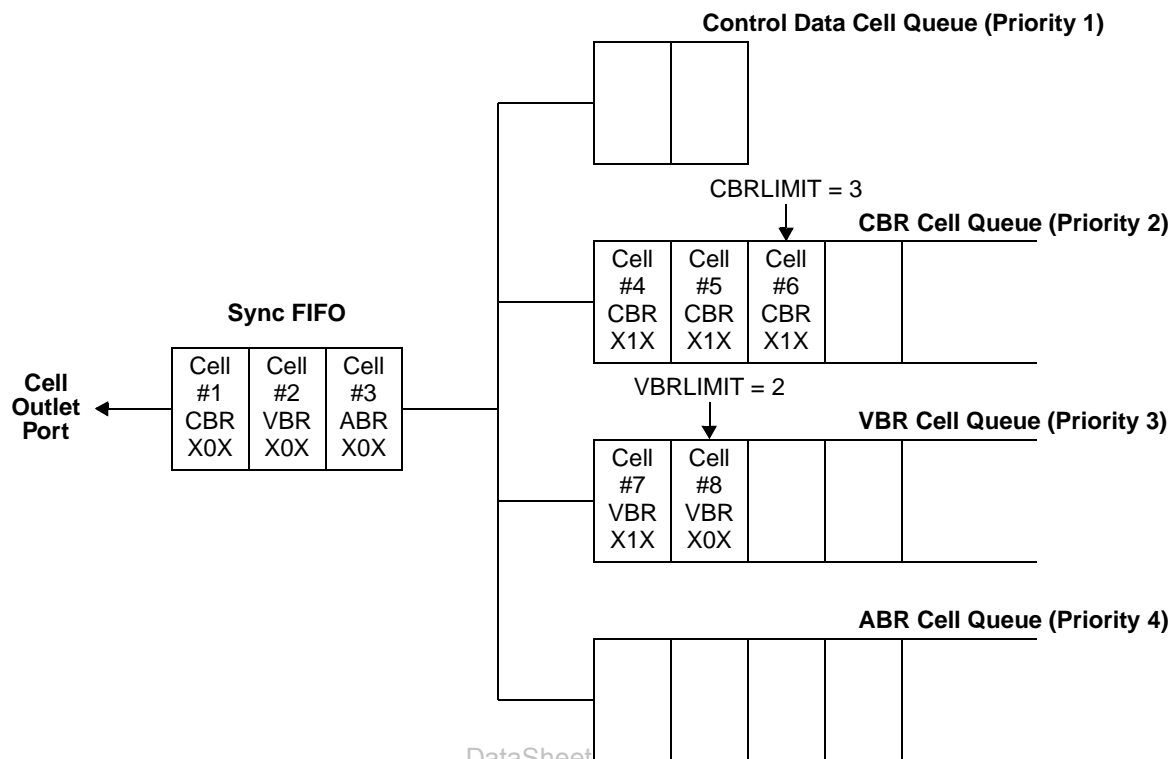
Note: The IFECN control bit is set to 1. The EFCI congestion indication is the middle bit of the PT sequence (X0X or X1X). Its value is determined when the cell leaves the queue.

DataSheet4U.com

Figure 14. Example of Congestion Indication in Single-Queue Mode (QM = 0)

Figure 14 shows a starting condition for the single-queue mode soon after the congestion conditions a) and b) have both become present, with three cells in the queue when VBRLIMIT is set to 2. Cells #1, #2 and #3 reached the Sync FIFO before the congestion occurred, so they are not marked with a congestion indication and have a PT value of X0X. The first cell in the queue (cell #4) is marked with a congestion indication (PT = X1X) and it moves into the Sync FIFO when the outlet link is free and Cell #1 is sent to the cell outlet port. Cells #5 and #6 then shift to the left, putting Cell #6 at the VBRLIMIT = 2 boundary, so congestion persists and Cell #5 is also marked with PT = X1X. When this cell moves into the Sync FIFO, Cell #6 shifts left and it is the only cell left in the queue, assuming no more cells have joined the queue. Since the queue length of 1 is now less than VBRLIMIT = 2, condition b) no longer exists and cell #6 carries no congestion marking (PT = X0X).

Figure 15 shows a starting condition for the split-queue mode some time after congestion conditions a) and b) have both become present, with three cells in the CBR cell queue when CBRLIMIT = 3 and two cells in the VBR cell queue when VBRLIMIT = 2 (i.e., both queues are at the congestion level).



Note: The IFECN control bit is set to 1. The EFCI congestion indication is the middle bit of the PT sequence (X0X or X1X). Its value is determined when the cell leaves the queue.

Figure 15. Example of Congestion Indication in Split-Queue Mode (QM=1)

As before, cells #1, #2 and #3 left the queues before the congestion occurred and are not marked for congestion indication (PT = X0X). When the outlet link becomes free and the cells in the Sync FIFO shift to the left, cells flow in to the Sync FIFO from the four data cell queues in priority order. Since the VBR queue contains two cells when VBRLIMIT = 2, congestion continues to exist while all cells in the CBR cell queue are moved into the Sync FIFO, so cells #4, #5 and #6 are marked with congestion indications (PT = X1X). Now, assuming no more cells are joining the queues, the CBR cell queue is empty but the VBR cell queue is still at the VBRLIMIT value with two cells, so cell #7 is also marked with a congestion indication. But when it moves to the Sync FIFO only one cell is left in the VBR cell queue, so conditions a) and b) no longer both exist, and this cell #8 is not marked with a congestion indication (PT = X0X).

Paralleling Cell Inlet/Outlet Ports for Redundancy

If the control bit ONLINE (control register address 0CH, bit 7) is set to zero, then all of the CUBIT-Pro cell outlet interface output pins will be taken to the high impedance (Hi-Z) state and the cell inlet data input pins will be disabled. Thus two CUBIT-Pros may be paralleled for redundancy, each connected to a separate *CellBus* bus. Cells will only be accepted from, or sent to, the line by the CUBIT-Pro in which ONLINE = 1.

INLET-SIDE TRANSLATION

Introduction

The translation function on the inlet side operates using information stored in an external static RAM, and can provide the following functions:

- Virtual Path Identifier (VPI) translation or
- VPI/VCI translation (where VCI is Virtual Circuit Identifier), and
- CellBus* Bus Routing Header insertion, and
- Tandem Routing Header insertion, and
- F4 flow cell routing, and
- F5 flow cell routing.

All translation operations start by performing a translation table lookup based on the VPI number of the incoming cell. Within the routing table record for that VPI is control information for that VPI, indicating whether cells are to be routed based on VPI number alone or on VPI and VCI.

If VPI-only routing is selected, a translated VPI number, accompanied by *CellBus* Bus and Tandem Routing Headers, is retrieved from the translation record for that VPI. In this case, the VCI number of the incoming cell is not changed. If VPI translation is selected, separate routing for F4 OAM flow cells and RM-VPC cells on that VPI can be programmed, allowing selective handling of these OAM-cells and RM-cells by a *CellBus* bus system.

If the VPI is instead programmed for VCI translation, then a two-step procedure is used to accomplish the translation. The VPI record, accessed first, indicates the size and position in memory of the VCI translation table. Using this information, and the VCI address of the cell, a VCI translation record is accessed. This translation record contains the VPI and VCI numbers to be assigned to the cell, along with the *CellBus* Bus and Tandem Routing Headers. When VPI/VCI translation is selected, separate routing for F5 OAM flow cells and RM-VCC cells on that VCI can be programmed, allowing selective handling of these OAM-cells and RM-cells in a manner similar to that of F4 OAM flow cells and RM-VPC cells.

In both cases, the cells with the translated headers and *CellBus* Bus and Tandem Routing Headers are forwarded to the bus in sequential order. Translation does not add delay to cells passing through the inlet side to the *CellBus* bus.

Translation RAM Connections

The CUBIT-Pro can address up to 256k bytes of translation SRAM (TRAM). The connections to the TRAM are shown in Figure 16. The TRAM access time requirement is dependent upon the cell inlet clock speed (i.e., in ATM Layer mode: *CellBus* bus clock, or PCLK, or LCLOCK; in PHY Layer mode: CICK), see Figures 32 and 33. An access time of 35 nanoseconds or less will support the maximum *CellBus* bus speed.

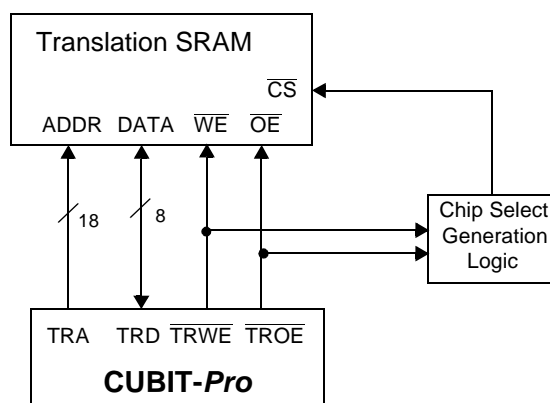


Figure 16. Translation RAM Connections

The chip select should be implemented according to the number of SRAM devices used in the design. If a single 256k x 8 SRAM is used, the memory can be permanently selected, or if a low-power application is required then the memory can be selected only when the CUBIT-Pro needs to access the SRAM (use \overline{TROE} and \overline{TRWE} , as shown in Figure 16).

Translation RAM Control

When the CUBIT-Pro device is configured to perform translation (input pin \overline{TRAN} low), it replaces received values of VPI or VCI and VCI numbers with new values, and adds Routing Headers to the cells forwarded to the *CellBus* bus. The VPI/VCI number and Routing Header information that is inserted comes from translation record entries in the TRAM. The TRAM is organized into a block of VPI records and a block of VCI records, the contents of which are established by system control.

Translation RAM Organization

The translation RAM partitioning is shown in Figure 17. The lower portion of the TRAM contains the translation records for VPIs. When the UNI mode is enabled (control bit UNI=1), the number of VPI entries is 256. When NNI mode is enabled (UNI=0), 4096 VPI entries are present.

Depending on whether the Tandem Routing Header is enabled the VP Record has: four bytes if the Tandem Routing Header (TRH) is not used (control bit TRHENA=0), and six bytes if the TRH is used (TRHENA=1). The size of the VPI memory space in this mode ranges from 1024 bytes (UNI mode, no TRH, 4 x 256) to 24576 bytes (NNI and TRH, 6 x 4096).

The memory space above the VPI section is the VCI translation record storage space, divided into a number of VCI pages. Each VCI page contains the translation records for 128, 256, 512, or 1024 VCIs.

Depending on whether Tandem Routing Header is enabled the VC Record has: six bytes if the Tandem Routing Header (TRH) is not used (control bit TRHENA=0), and eight bytes if the TRH is used (TRHENA=1).

**CUBIT-Pro
TXC-05802B****DATA SHEET**

The number of VCI records per page (VRP) depends on the settings of the VRPS[1,0] control bits in register 0EH as follows:

- VRPS[1,0]=0,0: VRP is 256
- VRPS[1,0]=0,1: VRP is 512
- VRPS[1,0]=1,0: VRP is 1024
- VRPS[1,0]=1,1: VRP is 128

The total size of the TRAM which the CUBIT-Pro can support is up to 262,144 bytes (256k). Hence, the number of VCI translation table pages which can be supported is a function of memory size, and the states of control bits UNI and TRHENA. For example, the maximum number (M) of VCI memory pages, for maximum memory size, is as follows:

- VRPS[1,0]=0,0: VRP is 256
 - if UNI=1, TRHENA = 1; $M = (262144 - (256 * 6)) / (256 * 8) = 127$ VCI Pages,
 - if UNI=1, TRHENA = 0; $M = (262144 - (256 * 4)) / (256 * 6) = 170$ VCI Pages.
- VRPS[1,0]=0,1: VRP is 512
 - if UNI=1, TRHENA = 1; $M = (262144 - (256 * 6)) / (512 * 8) = 63$ VCI Pages,
 - if UNI=1, TRHENA = 0; $M = (262144 - (256 * 4)) / (512 * 6) = 85$ VCI Pages.
- VRPS[1,0]=1,0: VRP is 1024
 - if UNI=1, TRHENA = 1; $M = (262144 - (256 * 6)) / (1024 * 8) = 31$ VCI Pages,
 - if UNI=1, TRHENA = 0; $M = (262144 - (256 * 4)) / (1024 * 6) = 42$ VCI Pages.
- VRPS[1,0]=1,1: VRP is 128
 - if UNI=1, TRHENA = 1; $M = (262144 - (256 * 6)) / (128 * 8) = 254$ VCI Pages,
 - if UNI=1, TRHENA = 0; $M = \text{Min}[(262144 - (256 * 4)) / (128 * 6), 256] = \text{Min}[340, 256] = 256$ VCI Pages.
 - if VRPS[1,0]=1,1, VRP is 128. The maximum number of addressable pages is 256, even though, theoretically, 340 pages could fit in a SRAM of 256k bytes.

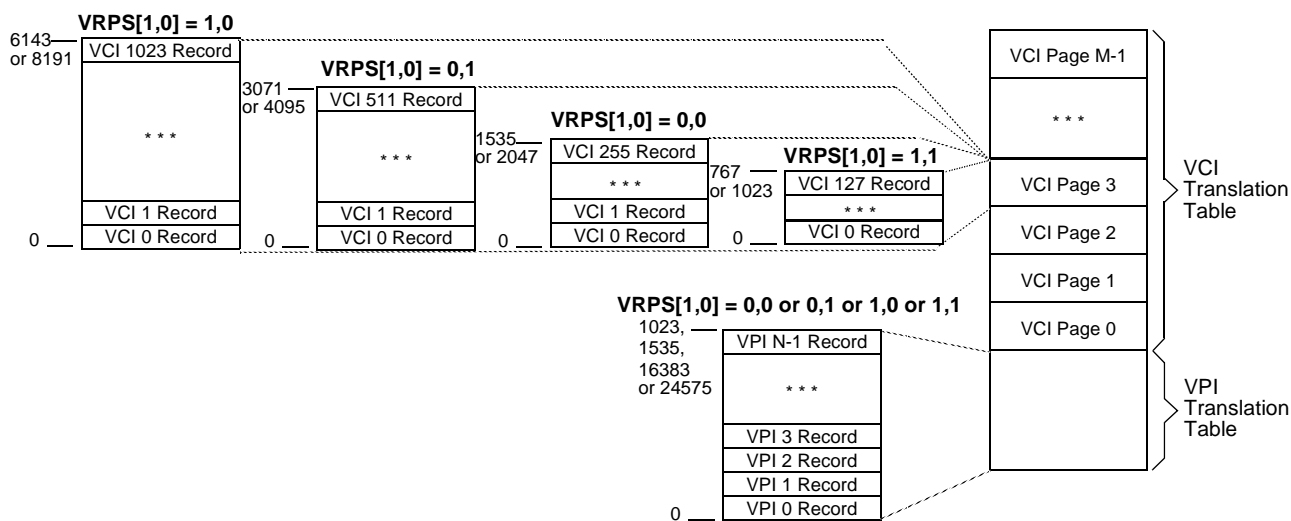


Figure 17. Translation RAM Organization

VCI Page 0 Organization

This page may optionally be used for OAM-cells routing, RM-cells routing, or data cells routing. For OAM/RM and reserved VCs, bit OAMRMEN (bit 1 in register 0EH) must be set to 1. If OAM/RM routing is enabled (OAMRMEN=1) then the organization of VCI Page 0 is as shown in Figure 18.

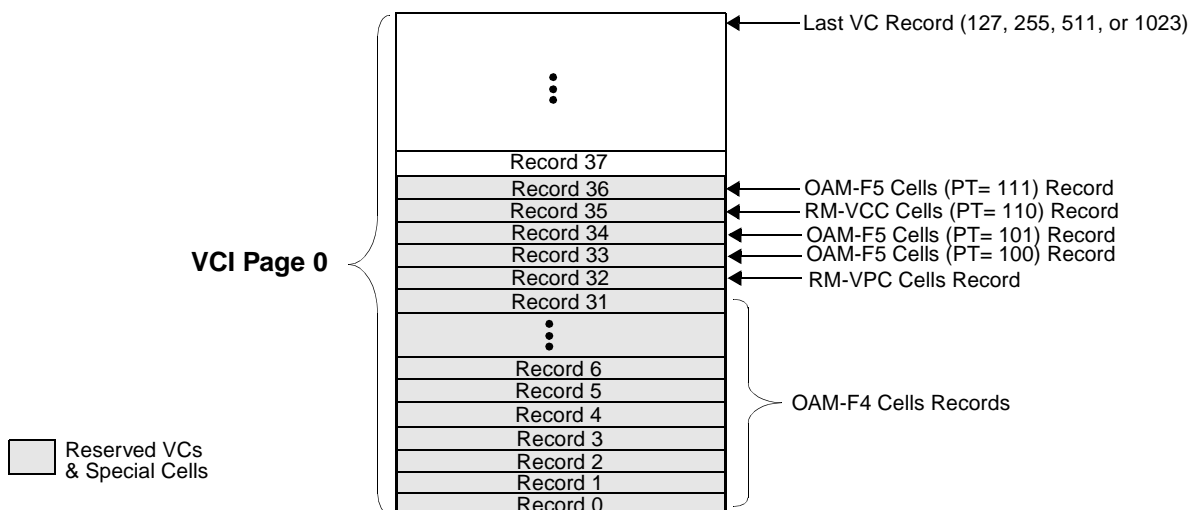


Figure 18. VCI Page 0 Organization (Bit OAMRMEN=1)

DataSheet4U.com

If the device is required to operate in CUBIT TXC-05801 applications, then bit OAMRMEN must be set to 0, which is the power-up/reset default.

Translation Procedure

Translation is performed in a two-step procedure, starting with examining the incoming VPI number. A full 8-bit (UNI=1) or 12-bit (UNI=0) VPI number may be used. The incoming VPI number is used to address a VPI translation record. If the translation is to be done on VPI only, leaving the VCI number intact, then the VPI number and routing header are contained in the VPI translation record. If VPI and VCI translation is to be done, then the VPI record contains a pointer to the location of one or more "pages" of VCI translation records. Each "page" is a set of translation records for either 128, 256, 512, or 1024 consecutive VCI numbers (depending on the settings of bits VRPS[1,0] in register 0EH). Up to sixteen such VCI pages may be assigned to any VPI. The only restriction is that the VCI pages for each VPI must be assigned in consecutive VCI address space from zero upwards. Within this assigned space, the VCI number of the incoming cell is used to address a particular VCI translation record containing the new VPI and VCI numbers and the routing header.

OAM/RM cells are routed either from the VP record or VC record that is marked for this special cells routing, as detailed in the section below entitled "OAM-Cells and RM-Cells Record Format".

For the translation operation the CUBIT-Pro uses several data structures. These data structures can be of three different types:

- VP Record
- VC Record
- OAM/RM Record

Each of these records contains one or more control bits in the first byte of the record (byte 0), which determines whether the routing is per VP, per VC, or per OAM/RM cell. The control bits are described next.

Translation Records Control Bits

Four control bits, labelled as A, P, E and I, are used in byte 0 of translation records, as described below:

Active (A) Bit:

If the A bit is set to one in a translation record, then that VPI or VCI is active. Cells received with this VPI or VCI will be translated and forwarded to the bus, unless bit I is set to one. If A=0, then cells received on this VPI or VCI will be considered misrouted, unless I=1.

VPI Translation Enable Bit (P):

If this bit is one in a VPI translation record, then a VPI-only translation is made. If it is set to zero, a combined VPI and VCI translation is made.

OAM/RM Cell Routing Enable Bit (E):

If bit E is set to one in a VPI record, then VCIs numbered 0 through 31 of that VPI will be routed according to OAM/RM records contained in record numbers 0 through 31 of VCI page zero. Additionally, if bit E is set to one in a VPI record, then cells of that VPI with VCI =6 and having the PT = 110 will be routed according to the OAM translation record contained in record number 32 of VCI page zero. Regular data cells (not conforming to the above rules) are routed according to the VP and/or VC record. If bit E is set to one in a VCI record, then cells of that VPI having the PT = 100, 101, 110, and 111 (Payload Type Indicator, in ATM cell header) will be routed according to the OAM translation record contained in record numbers 33, 34, 35, and 36 of VCI page zero, respectively.

Ignore Bit (I):

If the ignore bit is one (I=1) in an active VP or VC (i.e., A=1 in the translation record) then incoming cells bearing this VP or VC number are discarded, but not counted as misrouted cells. If control bit NOTIGN (bit 5 in register 0EH) is set to 1, then connections with I=1 will be treated as if I=0.

OAM/RM Routing Mode Bits (C1, C0): DataSheet4U.com

These bits are used to determine on which VPI/VCI OAM/RM cells are routed. They are placed in the locations of the P and E bits. The possible combinations are:

C1,C0 = 0,0: the cell header is translated according to the values in the OAM/RM record (this value and OAMRMEN=0 should be selected for applications supporting CUBIT TXC-05801 functionality)

C1,C0 = 0,1: for F4 flow this virtual path connection (VPC) OAM cells/RM-VPC cells are not routed according to the OAM/RM record. Instead, these cells are routed according to the VP record corresponding to the incoming VP.

For F5 flow this virtual circuit connection (VCC) OAM cells/RM-VCC cells are not routed according to the OAM/RM record. Instead, these cells are routed according to the VC record corresponding to the incoming VP/VC combination.

C1,C0 = 1,0: attach *CellBus* Bus Routing Header (CBRH) and Tandem Routing Header (TRH) only, and preserve the incoming VP/VC combination

C1,C0 = 1,1: reserved

Note: In order to use Tandem Routing Header, TRHENA =1 must be selected regardless of the table values.

CellBus Bus Routing Header

The *CellBus* Bus Routing Header is a 16-bit structure, which is formatted as described earlier in the *CellBus* Bus Cell Routing subsection. Additional detail is provided in Appendix A of "*CellBus* Bus Technical Manual and CUBIT-Pro Applications", TranSwitch document number TXC-05802-TM1.

Tandem Routing Header

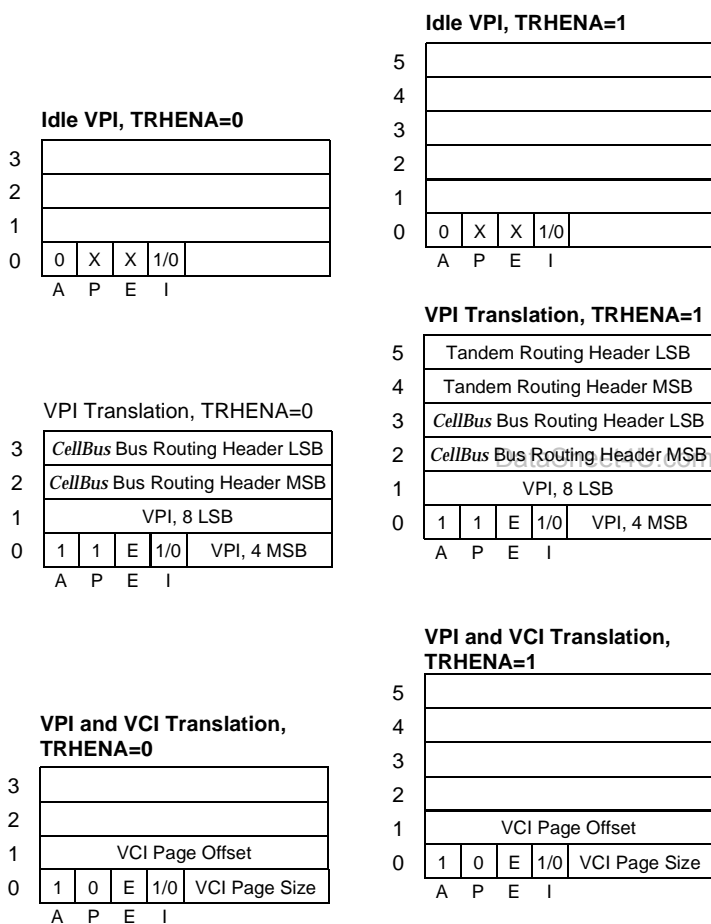
If the Tandem Routing Header is to be used as a *CellBus* Bus Routing Header, as when passed through a CUBIT-Pro in back-to-back mode, it must follow the same construction rules as a *CellBus* Bus Routing Header.

If the Tandem Routing Header is used for some proprietary purposes, its format will follow a different specification.

Translation Record Formats

VPI Translation Record Formats

VPI translation records are four bytes long if TRHENA=0, or six bytes long if TRHENA=1, as shown in Figure 19. Each VPI may be either idle or busy. If it is busy, then each VPI may be set for VPI-only translation, or for combined VPI/VCI translation. The control bits (A, P, E and I) and Routing Headers are described in the preceding sections.



If the VPI is unused, then the MSB (Active bit, A) of relative address zero is set to zero, indicating idle. If a cell arrives with this VPI number, it is discarded and is counted as a misrouted cell.

If the VPI is busy and is to have VPI number translation only, then the A bit is set=1, and the P bit is set=1. In this case, the VPI to be inserted on the cell is contained in the 4 LSB of relative address zero (4 MSB of new VPI), and in relative address one (8 LSB of new VPI). CellBus Bus and Tandem Routing Headers are also contained in the next two or four bytes.

If the VPI is busy and is set for combined VPI/VCI number translation, a reference is generated to a VCI translation record. The VPI is set active (A=1), and is set for VCI translation (P=0). The 4 LSB of relative address zero contain the VCI Page Size, which is the number of assigned VCI pages, each of 128, 256, 512, or 1024 VCI records, allocated to this VPI (range from 1 to 16, where 0H=16). Relative address one contains the VCI Page Offset, which indicates where among the VCI pages the first utilized page starts.

Figure 19. VPI Translation Record Formats

The calculation of the start address for the VP record when there is no Tandem Routing Header (control bit TRHENA=0) is performed as follows:

$$VP_Start_Addr = VP\# \times 4$$

If TRHENA=1 then:

$$VP_Start_Addr = VP\# \times 6$$

VCI Translation Record Formats

VCI translation records are six bytes long if TRHENA=0, and eight bytes long if TRHENA=1, as shown in Figure 20. Each VCI may be either idle or busy.

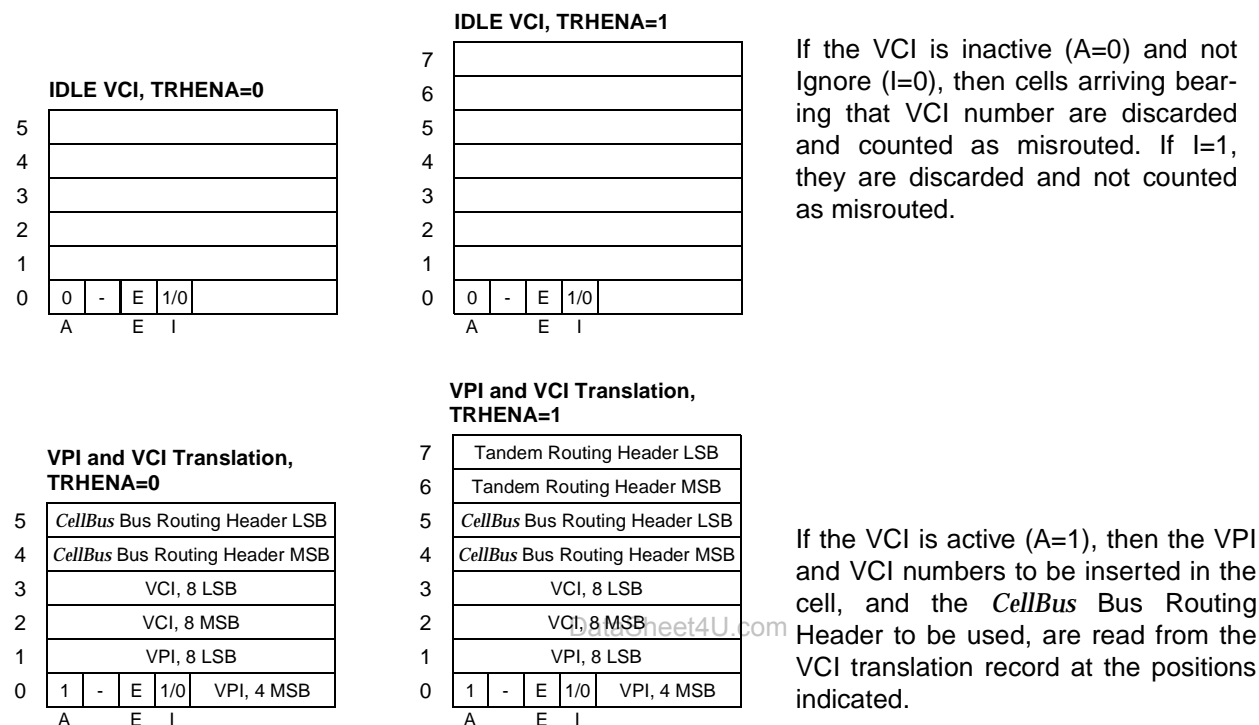


Figure 20. VCI Translation Record Formats

The calculation of the start address for the VC record uses information from the VP table addressed by the VP of the incoming cell, as well as information of the VCI of the incoming cell. The information required from the VP record is the VCI Page Offset (VPO). In the case with no Tandem Header Translation (control bit TRHENA=0 in register 0AH) and in UNI mode (control bit UNI=1 in register 0AH) the start address of the VC record corresponding to an incoming VP/VC, assuming a given number of VCI records per page (VRP, determined by the control bits VRPS1 and VRPS0 in register 0EH) is calculated (in decimal format) as follows:

$$VC_Start_Address = 1024 + VPO \times VRP \times 6 + VCI \times 6$$

or with TRHENA=1 and UNI=1:

$$VC_Start_Address = 1536 + VPO \times VRP \times 8 + VCI \times 8$$

or with TRHENA=0 and UNI=0:

$$VC_Start_Address = 16384 + VPO \times VRP \times 6 + VCI \times 6$$

or with TRHENA=1 and UNI=0:

$$VC_Start_Address = 24576 + VPO \times VRP \times 8 + VCI \times 8.$$

OAM-Cells and RM-Cells Record Format

OAM/RM and reserved VC cells routing can be performed on any VP/VC combination with the appropriate programming of the E-bit in the VP or VC translation record, and setting OAMRMEN bit (bit 1 in register 0EH) to 1. For compatibility with CUBIT TXC-05801 applications, the bit OAMRMEN should be set to 0 (default).

Both F4 and F5 flows are supported in the CUBIT-Pro. Depending on which flow is routed, two algorithms are used by the CUBIT-Pro (assuming OAMRMEN=1). The algorithm for F5-flow is depicted in Figure 21. The PT field of the ATM cell header coming in a VP/VC that is set for VP/VC translation (with E-bit set to 1 in the VC translation record) will be checked for all possible values and routed to VCI Page 0 according to the flow shown in Figure 21.

For F4 flow a cell coming in any VP will be sent to VCI Page 0 if the VCI is within numbers 0-31 (OAMRMEN=1) according to the algorithm shown in Figure 22.

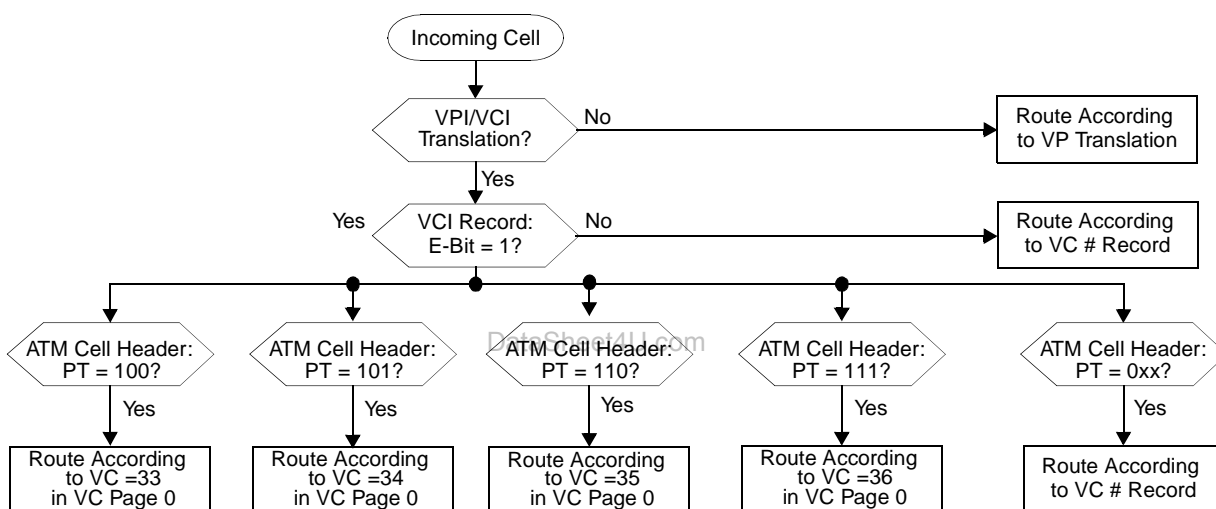


Figure 21. OAM F5 and RM-VCC Cell Routing (Bit OAMRMEN=1)

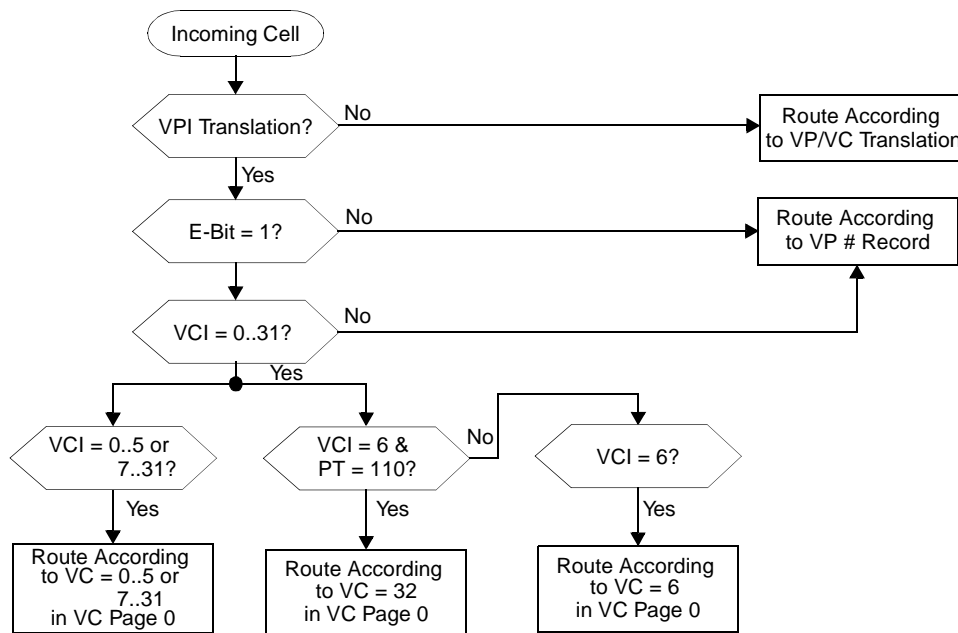
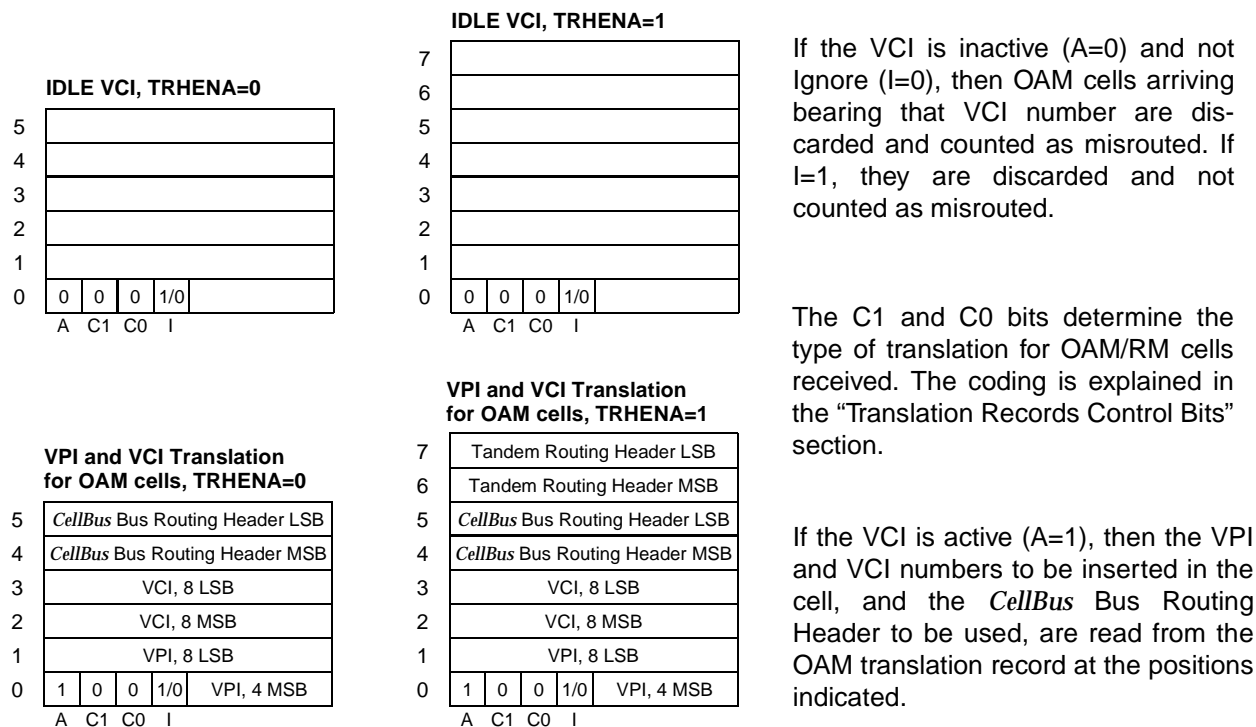


Figure 22. OAM F4 and RM-VPC Cell Routing (Bit OAMRMEN=1)

The corresponding formats for OAM translation records are shown in Figure 23.

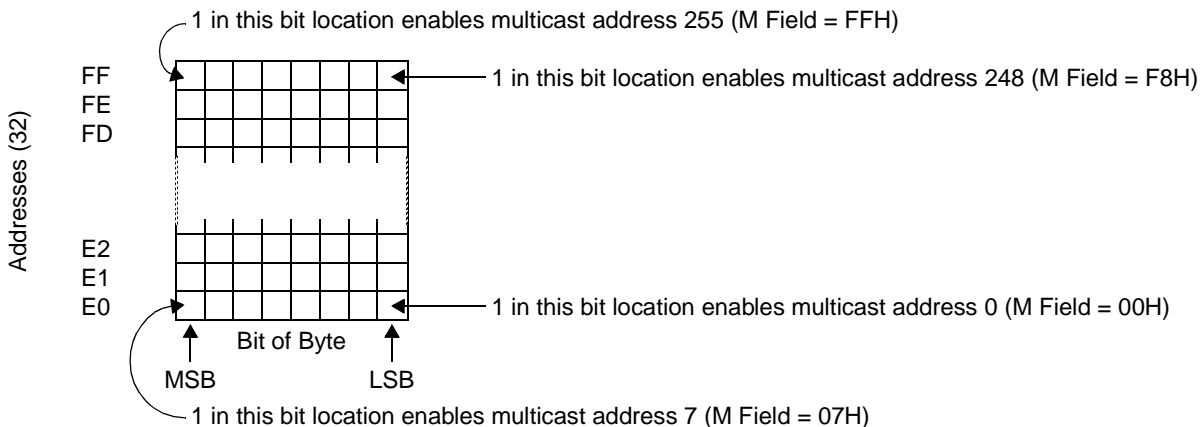


Note: OAM/RM Translation Records are optional. They are located in VCI page zero.

Figure 23. OAM/RM-Cells Translation Record Formats

MULTICAST NUMBER MEMORY

A multicast address control cell or multicast address data cell can be sent to a number of CUBIT-Pro's, and a single CUBIT-Pro can receive cells with a number of different addresses. This is controlled by the setup of the Multicast Number Memory (addresses E0H-FFH in the CUBIT-Pro memory map), which is a block of 32 bytes. Each of the 256 bits in the block maps to one multicast address, as shown in Figure 24. When a bit is set to 1, the CUBIT-Pro is enabled to receive the corresponding multicast address cell. Each CUBIT-Pro can be set to receive any or all of the 256 possible multicast addresses.



Note: The M Field refers to the *CellBus* Bus Routing Header for Multicast Address cells (see Figure 5).

DataSheet4U.com

Figure 24. Multicast Number Memory

THE *CellBus* BUS INTERFACE

Thirty-seven lines comprise the *CellBus* bus interface, as shown in Figure 2. There are thirty-two Data lines, with Frame, Acknowledge, and Congestion Indicator lines, all sourced by a CUBIT-Pro device, and two Clock lines sourced by external drivers.

Operation with Internal GTL+ Transceivers

Gunning Transceiver Logic (GTL+) transceivers for *CellBus* bus Data, Frame, Acknowledge, and Congestion Indicator lines are contained internally in the CUBIT-Pro, along with two clock line GTL+ receivers. Each of the drivers has a typical current sink capability of 45 mA and is capable of driving a bus on a card or on a back-plane directly. Each of the GTL+ lines is to be pulled-up at each of its ends by a 50 ohm (+/- 5%) resistor (metal film or carbon composition) to a +1.5 V low-impedance supply. Each end of each line should have a filtering capacitor connected from the +1.5 V supply to ground, as shown in Figure 25.

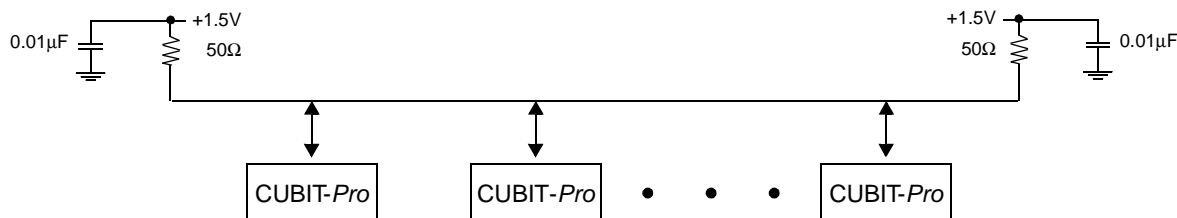


Figure 25. External Circuit Requirements for GTL+ Transceivers

www.DataSheet4U.com

In the CUBIT-Pro pinout, all of the pins involved with the bus interface are aligned along one side of the package between pins 50 and 112. This side of the package must be aligned toward the board connector, or toward the bus, with as little board trace length as possible between the pins and the connector or bus, to maximize operating speed.

Clock Source

Two GTL+-level clock signals must be driven to the *CellBus* bus from an external source. These are the write clock, \overline{CBWC} , and the read clock, \overline{CBRC} . A phase relationship keeping the write clock between 0.5 and 4 nanoseconds behind the read clock is needed to ensure proper synchronous bus operation. When the clock driver is driven from the center of the backplane (i.e., no greater than half a backplane length from any card) a minimum phase distance of 1.0 ns or more must be maintained. When the driver is at one of the ends, a more conservative 2-4 ns minimum is required. In any *CellBus* bus implementation, on the backplane and on each card, care must be taken to ensure that these two lines are routed together. The capacitive and inductive loadings of the two lines should be as nearly equal as possible, to maintain performance. At the drive point, a delay line should be used to maintain a stable delay, and the read and write clock drivers must be units of the same integrated circuit package. All of these precautions will ensure the most stable clocks and permit the highest possible operating speed.

Bus Arbiter Selection

One copy of the *CellBus* Bus Arbiter circuitry is included inside each CUBIT-Pro device. Enabling of the arbiter on a particular CUBIT-Pro is done by connecting the \overline{ENARB} pin of that device to ground (V_{SS}). Normally, one arbiter is turned on and the remaining arbiters on that bus are turned off. It is the responsibility of the overall system control to decide which CUBIT-Pro will have its arbiter enabled, and to enable it. Failure of an arbiter can be detected by using the NOGRT indications. If multiple CUBIT-Pros are indicating NOGRT failures, an arbiter failure is indicated. It is again the responsibility of system control to enable another arbiter.

Upon switching from one arbiter to another, the receiving devices on the bus will automatically re-align to the new frame position within one *CellBus* bus frame.

OUTLET-SIDE QUEUE MANAGEMENT

The CUBIT-Pro contains a 123-cell queuing FIFO for data on its outlet side. This FIFO may be operated as a single 123-cell FIFO, or it may be split into four independent FIFOs.

Single Queue Operation

If control bit QM at Address 0CH, Bit 2 is zero, then the outlet has a single 123-cell FIFO. This mode is appropriate when a single type of traffic is to be switched by the system. In this case cell congestion, for purposes of causing a FECN (if enabled by control bit IFECN at Address 0CH, Bit 0), is established by the register VBRLIMIT at Address 12H.

Split-Queue Operation

If QM = 1, the outlet FIFO is split into 4 separate queues. These are, in order of service priority, Control Data (highest priority), CBR, VBR, and ABR. The Control Data cell queue is fixed in length at 2 cells, and the ABR queue at 32 cells. The congestion threshold on the ABR queue is set at 28. The size of the CBR queue is set by the contents of register CBRLLEN at Address 10H, and its congestion point by CBRLIMIT at Address 11H. The remaining FIFO cells are assigned to the VBR queue. The length of the VBR queue is $(123 - 2 - 32 - \text{CBRLLEN} = 89 - \text{CBRLLEN})$, and its congestion limit is set by VBRLIMIT at Address 12H.

Note the differences between the control data queue section of the split outlet queue, the control cell receive buffer and the control cell transmit buffer (all referred to as control queue):

1. The control data queue section of the split outlet queue accepts cells from the *CellBus* bus that have a single address data routing header with the Q field set to 00 (see Figure 5).
2. The control cell receive buffer (address 60H-93H) accepts cells from the *CellBus* bus that have a single address control routing header (see Figure 5).
3. The control cell transmit buffer is loaded by the microprocessor with a cell to be sent to the *CellBus* bus. It can have any of the *CellBus* Bus Routing Header formats shown in Figure 5.

Multicast and Broadcast cells in split-queue mode are sent to the VBR and CBR queues, respectively.

MICROPROCESSOR INTERFACE

General Description

The CUBIT-Pro Microprocessor Port will support an I/O interface characteristic of either Intel or Motorola microprocessors, as shown in Figure 26.

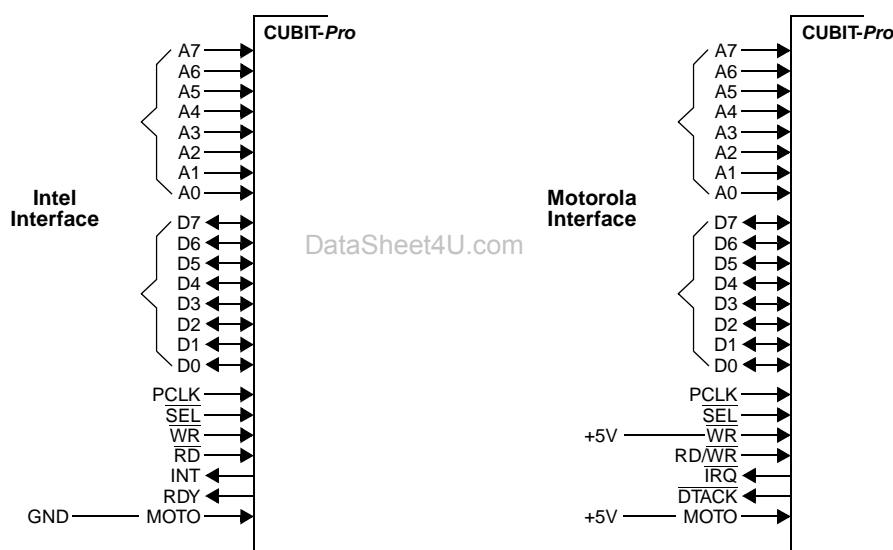


Figure 26. Microprocessor Port Interface Connections

The connections for address A(7-0), data D(7-0), select ($\overline{\text{SEL}}$) and processor clock (PCLK) are the same for both cases. Differences are listed below.

Intel Mode

Enabled when device strap MOTO is connected to V_{SS} (ground). Connections are as shown in Figure 26. The differences to support Intel mode are:

$\overline{\text{WR}}$ pin is low to execute a write command,

$\overline{\text{RD}}$ pin is low to execute a read command,

Interrupt INT is active high,

Ready RDY is active high. When set low, it requests microprocessor wait time.

**CUBIT-Pro
TXC-05802B****DATA SHEET****Motorola Mode**

Enabled when device strap MOTO is connected to V_{DDIO} (+5V). Connections are as shown in Figure 26. The differences to support Motorola mode are:

\overline{WR} pin is not used and must be pulled up to +5 volts,

RD/\overline{WR} pin is high to execute a read command or low to execute a write command,

Interrupt \overline{IRQ} is active low,

Data Transfer Acknowledge \overline{DTACK} is active low. When inactive, and pulled high by an external pull-up resistor, it requests microprocessor wait time.

Interrupts

The CUBIT-Pro allows the generation of interrupts based on eleven different events. The events are latched in two status registers located at addresses 05H and 08H, as shown in Figures 27 and 28. Any of the events will generate an interrupt provided the corresponding interrupt enable bit, located in registers at addresses 06H and 09H, is set to one.

If any of the events occurs, the corresponding status bit will be set to one. All the status bits in a register are cleared when it is read, except for any bits for which the events still persist. Some enabled interrupts may not be cleared in the absence of the *CellBus* bus clocks. Such interrupts will persist until the clocks are re-applied. It is possible, however, to mask any interrupt regardless of the absence or presence of the *CellBus* bus clocks. The events reported are explained below:

1. Status register at address 05H:

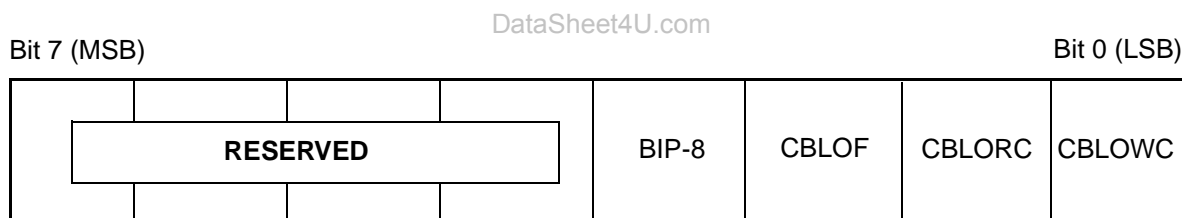


Figure 27. CUBIT-Pro Status Register at Address 05H

BIP-8 Error:

If the BIP-8 field (Grant cycle) of the *CellBus* bus cell body in a cell received from the *CellBus* bus does not match the calculated BIP-8, this bit is set to 1 (see Figure 3).

CBLOF *CellBus* Bus Loss of Frame Pulse Error:

In the event that the *CellBus* bus frame pulse is not present for more than 4 consecutive 16-cycle frames, or if the *CellBus* Bus Write Clock is not present, this bit is set to 1.

CBLORC *CellBus* Bus Loss of Read Clock Error:

If the *CellBus* Bus Read Clock is not present, this bit will be set to 1.

CBLOWC *CellBus* Bus Loss of Write Clock Error:

If the *CellBus* Bus Write Clock is not present, this bit will be set to 1.

Note: Please see Note 5 in the Memory Map Reset States section (below) for information related to recovery from loss of *CellBus* clocks by use of the hardware reset pin.

2. Status register at address 08H:

Bit 7 (MSB)						Bit 0 (LSB)	
CRCF	CRQOVF	CRQCAV	INSOC	CTSENT	NOGRT	RESERVED	OCOVF

Figure 28. CUBIT-Pro Status Register at Address 08H**CRCF CRC-4 Error:**

If the CRC-4 field H(3-0) of the *CellBus* Bus Routing Header in a cell received from the *CellBus* bus does not match the calculated CRC-4, this bit is set to 1 (see Figure 5).

CRQOVF Control Receive Queue Overflow:

An overflow will occur, and this bit will be set to 1, when more than four cells try to accumulate in the control receive queue.

CRQCAV Control Receive Queue Cell Available:

When a control cell has been received from the *CellBus* bus and placed in the receive buffer (addresses 60H-93H) this bit will be set to 1. This bit is cleared to 0 after the microprocessor writes a 1 to CRQSENT.

INSOC Inlet Start of Cell:

In the ATM Layer Emulation UTOPIA 8-bit ($\overline{\text{PHYEN}}$ = High) and ATM Layer Emulation 16-Bit ($\overline{\text{PHYEN}}$ = High) modes and the Back-to-Back mode, if CISOC is not present in the same clock cycle that CICALV is asserted, or if CISOC is asserted before the end of the current cell, the INSOC bit is set to 1.

In the PHY Layer Emulation UTOPIA 8-bit ($\overline{\text{PHYEN}}$ = Low) and PHY Layer Emulation 16-Bit ($\overline{\text{PHYEN}}$ = Low) modes, if CISOC is not present in the same clock cycle that CIENB is asserted (after CICALV has been asserted signaling the transfer of the first byte of the cell), or if CISOC is asserted before the end of the current cell, the INSOC bit is set to 1. If the ONLINE bit is set to 0 to disable cell acceptance at the cell inlet, arrival of a cell will cause INSOC to be set to 1. In order to prevent generation of false interrupts, the interrupt-enable bit for INSOC (INTEN4) should also be set to 0 when ONLINE is set to 0 in PHY layer emulation mode.

CTSENT Control Cell Sent:

When the microprocessor requests that a control cell be sent to the *CellBus* bus, this bit will be set to 1 after the cell has been sent.

NOGRT No Grant:

If the CUBIT-Pro device has requested a *CellBus* bus grant and has not received it after the number of frames indicated by the TIME register (address 0FH), this bit will be set to 1.

OCOVF Outlet Cell Overflow:

In the single-queue mode an overflow will occur, and this bit will be set to 1, when more than 123 cells try to accumulate in the outlet queue.

In the split-queue mode this overflow will occur if any of the following events occurs:

- a. More than 32 cells try to accumulate in the ABR queue
- b. More than CBRLLEN (address 10H) cells try to accumulate in the CBR queue
- c. More than (89 minus CBRLLEN) cells try to accumulate in the VBR queue
- d. More than 2 cells try to accumulate in the control queue.

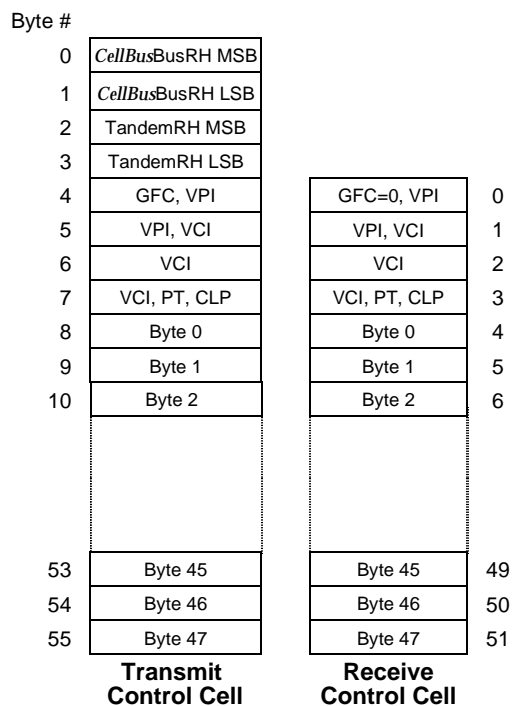
Control Queue Send and Receive

The formats of send (transmit) and receive control cells are shown in Figure 29. Reference to Figure 1 will be helpful for understanding how cells are handled by the inlet and outlet control queues.

A cell can be sent from the microprocessor to the *CellBus* bus by using the control cell transmit buffer (Inlet Control Queue in Figure 1). This ability allows the microprocessor to send any type of data, control or loopback cell to any CUBIT-Pro on the *CellBus* bus. The microprocessor first writes a 56-byte transmit cell with the format shown in Figure 29 to the control cell transmit buffer (Addresses A0H-D7H in the CUBIT-Pro memory map). Then a 1 is written to control bit CTRDY (Address 0AH, Bit 1). The cell will be sent to the *CellBus* bus after any pending data cells, and the CTSENT bit (Address 08H, Bit 3) will then be set to 1 and the CTRDY bit will be reset to 0. Another such cell send sequence may be started after CTSENT has been received.

A four-cell FIFO buffer (Outlet Control Queue in Figure 1) is provided for reception of control cells from the *CellBus* bus, since control cells can arrive from several sources and may have to wait for the microprocessor to accept them from the CUBIT-Pro. The FIFO output is the 52-byte memory segment CRQ(51-0) at Addresses 93H-60H. When this segment acquires a received control cell the CUBIT-Pro sets its interrupt bit CRQCAV to 1 (Address 08H, Bit 5). This bit may be enabled to cause an interrupt to the microprocessor (by setting interrupt enable bit INTEN5 to 1 in Address 09H, Bit 5). When an interrupt or polling process causes the microprocessor to read the interrupt event status register at Address 08H it will detect the CRQCAV indication that a control cell is available for reading. It must then read CRQ(51-0) and set control bit CRQSENT to 1 upon completion (Address 0AH, Bit 0). This notifies the CUBIT-Pro to reset CRQCAV to 0 and place the next control cell in CRQ(51-0), either immediately from the adjacent FIFO cell, if occupied, or whenever the next cell arrives in the FIFO from the *CellBus* bus. The CUBIT-Pro resets CRQSENT to 0.

Control cell transmission and reception may still be performed regardless of the state of control bit ONLINE (Address 0CH, Bit 7).

**Figure 29. Transmit and Receive Control Cell Formats**

LOOPBACK CELL SEND, RECEIVE AND RELAY

The loopback function is provided for diagnostic purposes. It may be used on-line (ONLINE = 1), or off-line (ONLINE = 0). A loopback path for a cell from CUBIT-Pro X to CUBIT-Pro Y and back to CUBIT-Pro X can be set up by loading the LBADDR registers in Addresses 13H and 14H of CUBIT-Pro Y with the single address control *CellBus* Bus Routing Header of CUBIT-Pro X, as shown in Figure 30. The microprocessor then writes a cell with a single address loopback Routing Header for CUBIT-Pro Y into the control transmit buffer (Addresses A0H-D7H) of CUBIT-Pro X and causes the cell to be sent. When CUBIT-Pro Y receives the cell it will use the contents of LBADDR to form a new Routing Header for the cell and send it back to CUBIT-Pro X. CUBIT-Pro X will receive the cell and place it in the control receive buffer where it can be examined by the microprocessor.

The above description assumes that the loopback cell originates in the control transmit buffer of CUBIT-Pro X, but it could also be received from the inlet port. Any of the seven Routing Header formats shown in Figure 5 could actually be loaded in the LBADDR register of CUBIT-Pro Y instead of the single address control *CellBus* Bus Routing Header of CUBIT-Pro X, with a corresponding change in the final destination of the loopback cell.

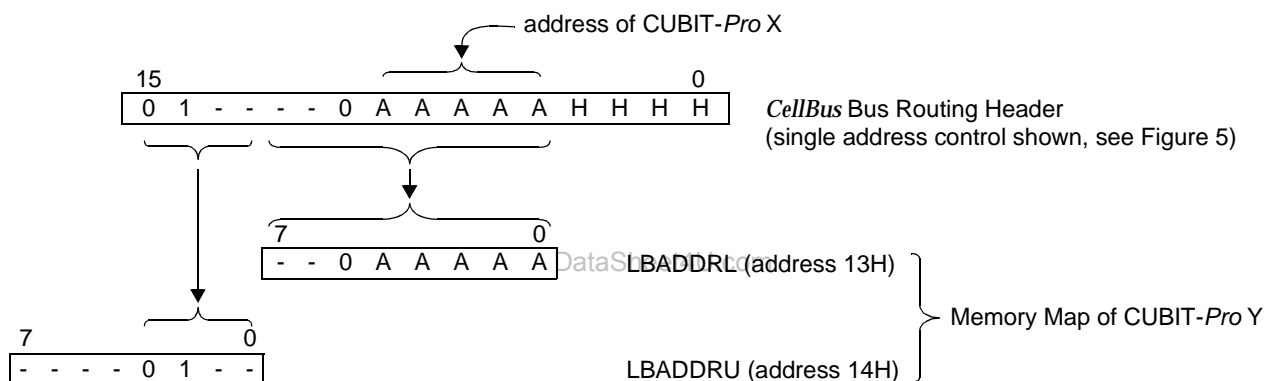


Figure 30. Loading the Loopback Registers

All aspects of system operation are the responsibility of the control system implemented for use of the CUBIT-Pro devices. Care must be taken to ensure that no more than one CUBIT-Pro is trying to set up a loopback into the same CUBIT-Pro, or mis-routing will ensue.

MEMORY MAP RESET STATES

The general conditions for resetting the memory map states are:

1. all input clock signals are present, and
2. the $\overline{\text{DEVHIZ}}$ and $\overline{\text{TSTMODE}}$ input pins are high.

There are two alternative reset conditions that reset the memory map registers 04H through FFH to the values shown in the following table:

1. power-up, or
2. hardware reset applied via the $\overline{\text{RESET}}$ input pin.

Address (Hex)	0A	17	1E	60 - 93, A0-D7	E0 - FF	Others
Reset Value (Hex)	40	XX ⁽¹⁾	XX ⁽²⁾	XX ⁽³⁾	XX ⁽³⁾	00 ⁽⁴⁾

Notes:

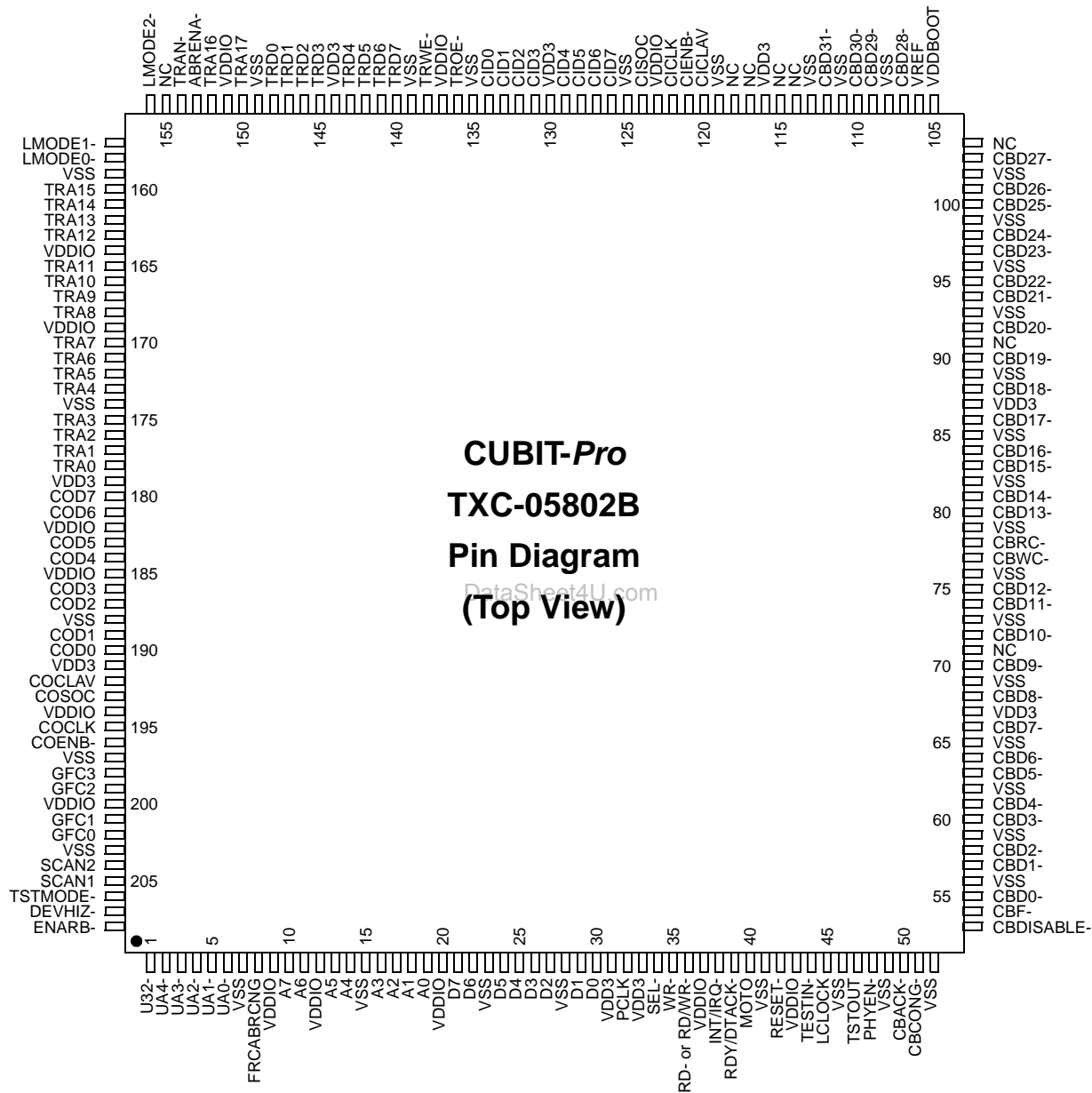
1. Reset value depends on content of location 00H in TRAM.
2. Reset value depends on state of pins $\overline{\text{ABRENA}}$, $\overline{\text{U32}}$, $\overline{\text{ENARB}}$ and $\overline{\text{UA(4-0)}}$.
3. Undefined value after power-up. Pre-existing value is not affected by hardware reset.
4. Except reserved addresses, which contain undefined values after power-up and hardware reset.
5. It is recommended to provide the control processor an independent means of forcing an external hardware reset. In order to insure proper device initialization, after the loss of either the *CellBus* Bus Write Clock or the *CellBus* Bus Read Clock, an external hardware reset must be applied via the $\overline{\text{RESET}}$ pin. The hardware reset must be applied in the presence of all input clock signals. Please note that one cell may remain in the Outlet Synchronization FIFO after performance of a hardware reset, and it will flow to the Cell Outlet Port ahead of cells received after the reset. This may occur when, before clock restoration and hardware reset,
 - a) the device was operating in 16-bit PHY mode, and
 - b) a loss of *CellBus* read or write clocks occurred while traffic was flowing into the device and there were three cells stored in the Outlet Synchronization FIFO.

**CUBIT-Pro
TXC-05802B**

DATA SHEET



PIN DIAGRAM



Note: Due to space limitations, active low (inverted) or active-on-falling-edge signals are indicated by '-' at the end of their symbol (e.g., LMODE1- is equivalent to LMODE1).

Figure 31. CUBIT-Pro TXC-05802B Pin Diagram



DATA SHEET

CUBIT-Pro
TXC-05802B

PIN DESCRIPTIONS

POWER SUPPLY, GROUND AND NO CONNECT PINS

Symbol	Pin No.	I/O/P*	Type	Name/Function
VDDIO	9, 12, 20, 37, 43, 123, 137, 151, 164, 169, 182, 185, 194, 200	P		V_{DDIO} : +5 volt supply $\pm 5\%$ for dual-supply operation, or +3.3 volt supply $\pm 5\%$ (for single-supply operation)
VDD3	31, 33, 67, 87, 116, 130, 144, 179, 191	P		V_{DD3} : +3.3 volt supply, $\pm 5\%$
VSS	7, 15, 23, 28, 41, 46, 49, 52, 56, 59, 62, 65, 69, 73, 76, 79, 82, 85, 89, 93, 96, 99, 102, 108, 111, 113, 119, 125, 135, 139, 149, 159, 174, 188, 197, 203	P		V_{SS} : Ground, 0 volt reference.
VDDBOOT	105	P		V_{DDBOOT} : This pin must be connected to +5.0 volt $\pm 10\%$ for dual-supply operation or +3.3 volt $\pm 5\%$ for single-supply operation. The voltage must be present for the <i>CellBus</i> bus disable function to operate.
NC	71, 91, 104, 114, 115, 117, 118, 155	--		No Connect : NC pins are not to be connected, not even to another NC pin, but must be left floating. Connection of NC pins may impair performance or cause damage to the device. Some NC pins may be assigned functions in future upgrades of the device. Compatibility of the CUBIT-Pro TXC-05802B device in existing CUBIT TXC-05801 applications may rely upon these pins having been left floating.

* Note: I=Input; O=Output; OD=Open Drain Output; P=Power

CUBIT-Pro
TXC-05802B

DATA SHEET

TRANSWITCH®

CELL INLET

Symbol**	Pin No.	I/O/P	Type*	Name/Function
CICLAV	120	I/O	TTL/ TTL 4 mA	Cell Inlet Cell Available: The direction of the CICLAV signal depends on the mode selected: ATM Layer emulation: An active high input signal from the PHY Layer device to indicate that it has a complete cell to transfer. This applies to UTOPIA and 16-Bit modes. PHY Layer emulation: An active high output signal to indicate that the CUBIT-Pro has space to receive a cell from the ATM Layer device. This applies to UTOPIA and 16-Bit modes. Back-to-Back mode: CICLAV is an active high input signal.
CICLK	122	I/O	TTL/ TTL 6 mA	Cell Inlet Clock: Transfer clock. Rising edge of CICLK is used for data transfer. ATM Layer emulation: The clock is an output. This applies to UTOPIA and 16-Bit modes. PHY Layer emulation: The clock is an input. This applies to UTOPIA and 16-Bit modes. Back-to-Back mode: The clock is an output. Maximum clock speed of 42 MHz with a 40/60 duty cycle.
CID(7-4) CID(3-0)/	126-129, 131-134	I	TTL	Cell Inlet Data: Byte-parallel input data.
<u>CIENB</u>	121	I/O	TTL/ TTL 4 mA	Cell Inlet Enable: The direction of the <u>CIENB</u> signal depends on the mode selected: ATM Layer emulation: An active low output signal indicating that input data and CISOC will be sampled at the end of the next cycle. This applies to UTOPIA, 16-Bit, and Back-to-Back modes. PHY Layer emulation: An active low input signal indicating that input data and CISOC will be sampled at the end of the next clock cycle. This applies to UTOPIA and 16-Bit modes.
CISOC	124	I	TTL	Cell Inlet Start of Cell: Start-of-Cell indication for UTOPIA and 16-Bit modes.

* See Input, Output and Input/Output Parameters section for Type definitions.

** Signals which are active when low or upon their falling edges are shown as negated (overlined).



DATA SHEET

CUBIT-Pro
TXC-05802B

CELL OUTLET

Symbol	Pin No.	I/O/P	Type	Name/Function
COCLAV	192	I/O	TTL/ TTL 4 mA	Cell Outlet Cell Available: The direction of the COCLAV signal depends on the mode selected: ATM Layer emulation: An active high input from the PHY layer device to indicate that it can accept the transfer of a complete cell. This applies to UTOPIA and 16-Bit modes PHY Layer emulation: An active high output that the CUBIT-Pro asserts to indicate that it can transfer a complete cell to the ATM layer device. This applies to UTOPIA and 16-Bit modes. Back-to-Back mode: COCLAV is an active high output signal.
COCLK	195	I/O	TTL/ TTL 6 mA	Cell Outlet Clock: Transfer clock. Rising edge of COCLK is used for data transfer. ATM Layer emulation: This is an output clock. This applies to UTOPIA and 16-Bit modes. PHY Layer emulation: This is an input clock. This applies to UTOPIA, Back-to-Back, and 16-Bit modes. Maximum clock speed of 42 MHz with a 40/60 duty cycle.
COD(7-6) COD(5-4) COD(3-2) COD(1-0)	180, 181, 183, 184, 186, 187, 189, 190	O	TTL 4 mA	Cell Outlet Data: Byte-parallel output data.
$\overline{\text{COENB}}$	196	I/O	TTL/ TTL 4 mA	Cell Outlet Enable: An active low enable signal which occurs during clock cycles when COD(7-0) data and/or COSOC are active. ATM Layer emulation: An active low output signal. This applies to UTOPIA and 16-Bit modes. PHY Layer emulation: An active low input signal. This applies to UTOPIA and 16-Bit modes. Back-to-Back mode: $\overline{\text{COENB}}$ is an active low input signal.
COSOC	193	O	TTL 4 mA	Cell Outlet Start of Cell: Start-of-Cell for UTOPIA and 16-Bit modes.
GFC(3-2) GFC(1-0)	198, 199, 201, 202	I	TTLp	Generic Flow Control: Inlet for GFC nibble to be inserted at cell outlet.
FRCABRCNG	8	I	TTLp	Force ABR Congestion: Active high signal to force a congestion indication for any ABR cells received.
LCLOCK	45	I	TTLp	Line Clock: Rising edge used for data transfer. This clock input is used for the cell Inlet/Outlet timing assuming that CLKS1,CLKS0=0,1 in register 0BH.

CUBIT-Pro
TXC-05802B

DATA SHEET

TRANSWITCH®

CellBus BUS PORT

Symbol	Pin No.	I/O/P	Type	Name/Function
$\overline{\text{CBACK}}$	50	I/O	GTL+	CellBus Bus Acknowledge: Active low acknowledge.
$\overline{\text{CBCONG}}$	51	I/O	GTL+	CellBus Bus Congestion Indicator: Active low congestion indicator.
$\overline{\text{CBD}}(31-24)$	112, 110, 109, 107, 103, 101, 100, 98	I/O	GTL+	CellBus Bus Data: Active low 32-bit parallel data input/output bus.
$\overline{\text{CBD}}(23-16)$	97, 95, 94, 92, 90, 88, 86, 84	I/O	GTL+	
$\overline{\text{CBD}}(15-8)$	83, 81, 80, 75, 74, 72, 70, 68	I/O	GTL+	
$\overline{\text{CBD}}(7-0)$	66, 64, 63, 61, 60, 58, 57, 55	I/O	GTL+	
$\overline{\text{CBF}}$	54	I/O	GTL+	CellBus Bus Frame: 16-clock cycle structure.
$\overline{\text{CBRC}}$	78	I	GTL+	CellBus Bus Read Clock: Accepts data from bus. Falling edge used for data transfer.
$\overline{\text{CBWC}}$	77	I	GTL+	CellBus Bus Write Clock: Puts data on the bus. Falling edge used for data transfer.
$\overline{\text{CBDISABLE}}$	53	I	CMOS	CellBus Bus Disable: Active low signal to tristate the entire <i>CellBus</i> bus regardless of the state of the V_{DD3} and V_{DDIO} power supplies. (This signal is not part of the <i>CellBus</i> bus.)
VREF	106	I	Reference Voltage	VREF: Reference voltage for GTL+ receivers. VREF is $2/3 V_{tt}$, where V_{tt} is the backplane termination voltage (nominally $V_{tt} = +1.5V$). The input connection to this pin is not part of the <i>CellBus</i> bus.



DATA SHEET

CUBIT-Pro
TXC-05802B

MICROPROCESSOR PORT

Symbol	Pin No.	I/O/P	Type	Name/Function
A(7-6) A(5-4) A(3-0)	10, 11, 13, 14, 16-19	I	TTL	Address Bus: 8-bit address lines from microprocessor, used to address CUBIT-Pro register memory. A0 is LSB. High is logic 1.
D(7-6) D(5-2) D(1-0)	21, 22, 24-27, 29, 30	I/O	TTL/ TTL 8 mA	Data Bus: Bidirectional 8-bit data lines used for transferring data to and from microprocessor. D0 is LSB. High is logic 1.
INT/ $\overline{\text{IRQ}}$	38	O	TTL 4 mA	Interrupt: Active high for Intel, active low for Motorola.
MOTO	40	I	TTL	Motorola Mode: Select Motorola operation if high, Intel if low.
PCLK	32	I	TTL	Processor Clock: Rising edge used for data transfer.
$\overline{\text{RD}}$ or $\overline{\text{RD/WR}}$	36	I	TTL	Read/Write: Data transfer command for CUBIT-Pro memory. Read (low) for Intel. Read (high) / Write (low) for Motorola.
$\overline{\text{RDY/DTACK}}$	39	OD	TTL 6 mA	Ready or Data Transfer Acknowledge: Active high Ready for Intel, active low Data Transfer Acknowledge for Motorola. This output is an open-drain buffer which requires an external pull-up resistor.
$\overline{\text{SEL}}$	34	I	TTL	Select: Active low signal to enable data transfer.
$\overline{\text{WR}}$	35	I	TTL	Write: Active low write command for transferring data to CUBIT-Pro memory in Intel mode. This input must be held high in Motorola mode.

TRANSLATION RAM ACCESS PORT

Symbol	Pin No.	I/O/P	Type	Name/Function
TRA(17-16) TRA(15-12) TRA(11-8) TRA(7-4) TRA(3-0)	150, 152, 160-163, 165-168, 170-173, 175-178	O	TTL 4 mA	Translation RAM Address Bus: 18-bit address output for up to 256k byte Translation RAM. TRA(7-0) are cell data outlet 8 LSB if $\overline{\text{ABRENA}}$ is enabled. TRA0 is LSB. High is logic 1.
TRD (7-4) TRD (3-0)	140-143, 145-148	I/O	TTL/ TTL 4 mA	Translation RAM Data Bus: Bidirectional 8-bit data bus. TRD(7-0) are cell data inlet 8 LSB if $\overline{\text{ABRENA}}$ is enabled. TRD0 is LSB. High is logic 1.
$\overline{\text{TROE}}$	136	O	TTL 4 mA	Translation RAM Output Enable: Active low output enable.
$\overline{\text{TRWE}}$	138	O	TTL 4 mA	Translation RAM Write Enable: Active low write enable.

CUBIT-Pro
TXC-05802B

DATA SHEET

TRAN SWITCH®

CONTROL STRAPS

Symbol*	Pin No.	I/O/P	Type	Name/Function
$\overline{\text{ABRENA}}$	153	I	TTLp	16-Bit Mode Enable: Active low signal to select the 16-Bit operating mode. The additional 8 data bits are carried by TRD(7-0) acting as the 8 LSB for cell data inlet and by TRA(7-0) acting as the 8 LSB for cell data outlet.
$\overline{\text{DEVHIZ}}$	207	I	TTLp	Device High Impedance: Active low signal to set all outputs to high-impedance (Hi-Z) state.
$\overline{\text{ENARB}}$	208	I	TTLp	Enable Arbiter: Active low signal to enable internal copy of Bus Arbiter and Frame Pulse Generator.
$\overline{\text{LMODE2}}$ $\overline{\text{LMODE1}}$ $\overline{\text{LMODE0}}$	156, 157, 158	I	TTLp	Operating Mode: Three active low signals for selection of CUBIT-Pro cell Inlet/Outlet operating mode. Please see Figures 6-8, 10, 11 for details.
$\overline{\text{TRAN}}$	154	I	TTLp	Translation Enable: An active low signal to enable header translation by the CUBIT-Pro.
$\overline{\text{UA(4-0)}}$	2-6	I	TTLp	Unit Address: Five active low device identity straps, used to identify each CUBIT-Pro device in a system containing up to 32 devices.
$\overline{\text{U32}}$	1	I	TTLp	Unit 32: Control strap for setting maximum number of CUBIT-Pros that can be connected to the <i>CellBus</i> bus. Set low for 32 CUBIT-Pros, high (or floating) for 16.
$\overline{\text{PHYEN}}$	48	I	TTLp	PHY Layer Enable: a low enables PHY Layer emulation in UTOPIA and 16-Bit modes

* Note: All control straps are active low inputs. They are pulled up internally and will be inactive if left unconnected. They must be set low to enable the associated function.

RESET AND TEST PINS

Symbol	Pin No.	I/O/P	Type	Name/Function
$\overline{\text{RESET}}$	42	I	TTL	Reset: Active low device reset (minimum duration 300 nanoseconds). See Note 1.
$\overline{\text{TSTMODE}}$	206	I	--	Test Mode: Active low signal to enable device test by manufacturer. Tie to V_{DDIO} .
SCAN1	205	I	--	Scan 1: Internal test function. Tie to V_{SS} .
SCAN2	204	I	--	Scan 2: Internal test function. Tie to V_{SS} .
TSTOUT	47	O	--	Internal Test Pin: Leave floating.
$\overline{\text{TESTIN}}$	44	I	--	Internal Test Mode Input: Tie to V_{DDIO} .

Note 1: Please see Note 5 on Page 39 regarding information in the Outlet Synchronization FIFO after a hardware reset.



DATA SHEET

CUBIT-Pro
TXC-05802B

ABSOLUTE MAXIMUM RATINGS AND ENVIRONMENTAL LIMITATIONS

Parameter	Symbol	Min	Max	Unit	Conditions
Supply voltage, Input/Output	V_{DDIO}	-0.3	+7.0	V	Note 1
Supply voltage, Core	V_{DD3}	-0.3	+6.0	V	Note 1
DC input voltage	V_{IN}	-0.3	$V_{DDIO} + 0.3$	V	Note 1
Storage temperature range	T_S	-55	+150	°C	Note 1
Ambient operating temperature	T_A	-40	+85	°C	0 ft/min linear airflow
Moisture Exposure Level	ME	5		Level	per EIA/JEDEC JESD22-A112-A
Relative Humidity, during assembly	RH	30	60	%	Note 2
Relative Humidity, in-circuit	RH	0	100	%	non-condensing
ESD Classification, Human Body Model (HBM)	ESD	absolute value 2000		V	Note 3 and 4

Notes:

- Conditions exceeding the Min or Max values may cause permanent failure. Exposure to conditions near the Min or Max values for extended periods may impair device reliability.
- Pre-assembly storage in non-drypack conditions is not recommended. Please refer to the instructions on the "CAUTION" label on the drypack bag in which devices are supplied.
- Absolute value 500 V only at the V_{DDIO} and V_{DD3} pins. Meets new JEDEC Charged Device Model (CDM) standard, JESD22-C101.
- Test method for ESD per MIL-STD-883D, Method 3015.7.

THERMAL CHARACTERISTICS

Parameter	Min	Typ	Max	Unit	Test Conditions
Thermal resistance - junction to ambient		29.5		°C/W	0 ft/min linear airflow

POWER REQUIREMENTS

Parameter	Min	Typ	Max	Unit	Test Conditions
V_{DDIO}	4.75	5.00	5.25	V	Dual-supply operation
	3.15	3.30	3.45		Single-supply operation
I_{DDIO}		25	48	mA	See Notes 1 and 2
P_{DDIO}		125	250	mW	Dual-supply operation
		85	170		Single-supply operation
V_{DD3}	3.15	3.30	3.45	V	
I_{DD3}		106	289	mA	See Notes 1 and 2
P_{DD3}		350	1000	mW	See Notes 1 and 2
V_{DDBOOT}	4.50	5.00	5.50	V	Dual-supply operation 5.0 V \pm 10%
	3.15	3.30	3.45		Single-supply operation 3.3 V \pm 5%
I_{DDBOOT}		0.01	0.10	mA	See Note 2
P_{DDBOOT}		0.05	0.55	mW	See Note 2
P_{TOTAL}		475	1250	mW	Dual-supply operation
		435	1170		Single-supply operation

Notes:

- Typical values are based on measurements made with nominal voltages, 25 °C ambient, and 40 MHz UTOPIA and CellBus bus clocks.
- All I_{DD} and P_{DD} values are dependent upon V_{DD} and the bus operation.

CUBIT-Pro
TXC-05802B

DATA SHEET

TRANSWITCH®

INPUT, OUTPUT AND INPUT/OUTPUT PARAMETERS

INPUT PARAMETERS FOR CMOS

Parameter	Min	Typ	Max	Unit	Test Conditions
V_{IH}	$0.7 * V_{DDIO}$			V	$4.75 \leq V_{DDIO} \leq 5.25$ (dual-supply)
					$3.15 \leq V_{DDIO} \leq 3.45$ (single-supply)
V_{IL}			$0.2 * V_{DDIO}$	V	$4.75 \leq V_{DDIO} \leq 5.25$ (dual-supply)
					$3.15 \leq V_{DDIO} \leq 3.45$ (single-supply)
Input leakage current	-10	1	10	μA	
Input capacitance		5		pF	

INPUT PARAMETERS FOR TTL

Parameter	Min	Typ	Max	Unit	Test Conditions
V_{IH}	2.0			V	$4.75 \leq V_{DDIO} \leq 5.25$ (dual-supply)
					$3.15 \leq V_{DDIO} \leq 3.45$ (single-supply)
V_{IL}			0.8	V	$4.75 \leq V_{DDIO} \leq 5.25$ (dual-supply)
					$3.15 \leq V_{DDIO} \leq 3.45$ (single-supply)
Input leakage current			10	μA	
Input capacitance		5		pF	

INPUT PARAMETERS FOR TTLP (TTL WITH INTERNAL PULL-UP)

Parameter	Min	Typ	Max	Unit	Test Conditions
V_{IH}	2.0			V	$4.75 \leq V_{DDIO} \leq 5.25$ (dual-supply)
					$3.15 \leq V_{DDIO} \leq 3.45$ (single-supply)
V_{IL}			0.8	V	$4.75 \leq V_{DDIO} \leq 5.25$ (dual-supply)
					$3.15 \leq V_{DDIO} \leq 3.45$ (single-supply)
Input current	-35	-115	-214	μA	$V_{IN}=V_{SS}$
Input leakage current			10	μA	$V_{IN}=V_{DDIO(Max)}$
Input capacitance		5		pF	

OUTPUT PARAMETERS FOR TTL 4 MA

Parameter	Min	Typ	Max	Unit	Test Conditions
V_{OH}	2.4			V	$I_{OH} = -4.0$ mA
V_{OL}		0.2	0.4	V	$I_{OL} = 4.0$ mA
Tristate leakage current	-10		10	μA	
I_{OL}			4.0	mA	
I_{OH}			-4.0	mA	



DATA SHEET

CUBIT-Pro
TXC-05802B

OUTPUT PARAMETERS FOR 6 MA (OPEN-DRAIN)

Parameter	Min	Typ	Max	Unit	Test Conditions
V_{OL}			0.4	V	$V_{DDIO}=V_{DDIO(Min)}$; $I_{OL}=6.0$ mA
I_{OL}			6.0	mA	

Note: Open Drain requires use of a 4.7 k Ω external pull-up resistor to V_{DDIO} . If this resistor is not provided the output behaves as tristate.

OUTPUT PARAMETERS FOR TTL 6 MA

Parameter	Min	Typ	Max	Unit	Test Conditions
V_{OH}	2.4			V	$I_{OH} = -6.0$ mA
V_{OL}		0.2	0.4	V	$I_{OL} = 6.0$ mA
Tristate leakage current	-10		10	μ A	
I_{OL}			6.0	mA	
I_{OH}			-6.0	mA	

OUTPUT PARAMETERS FOR TTL 8 MA

Parameter	Min	Typ	Max	Unit	Test Conditions
V_{OH}	2.4			V	$I_{OH} = -8.0$ mA
V_{OL}		0.2	0.4	V	$I_{OL} = 8.0$ mA
Tristate leakage current	-10		10	μ A	
I_{OL}			8.0	mA	
I_{OH}			-8.0	mA	

INPUT/OUTPUT PARAMETERS FOR GTL+

Parameter	Min	Typ	Max	Unit	Test Conditions
V_{IH}	$V_{REF} + 0.1$			V	$4.75 \leq V_{DDIO} \leq 5.25$ (dual-supply) $3.15 \leq V_{DDIO} \leq 3.45$ (single-supply)
V_{IL}			$V_{REF} - 0.1$	V	$4.75 \leq V_{DDIO} \leq 5.25$ (dual-supply) $3.15 \leq V_{DDIO} \leq 3.45$ (single-supply)
Input leakage current			10	μ A	$V_{IN} = V_{DDIO(Max)}$
Input capacitance		5.5	6.0	pF	
V_{OL}			0.5	V	$I_{OL} = 50$ mA
Tristate leakage current	-10		10	μ A	
I_{OL}		45		mA	50 Ω Terminations to 1.5 V
Slew Rate		0.3	0.8	V/ns	25 Ω , 30 pF Test Load

CUBIT-Pro
TXC-05802B

DATA SHEET

TRANSWITCH®

INPUT/OUTPUT PARAMETERS FOR TTL/TTL 4 MA

Parameter	Min	Typ	Max	Unit	Test Conditions
V _{IH}	2.0			V	4.75 ≤ V _{DDIO} ≤ 5.25 (dual-supply)
					3.15 ≤ V _{DDIO} ≤ 3.45 (single-supply)
V _{IL}			0.8	V	4.75 ≤ V _{DDIO} ≤ 5.25 (dual-supply)
					3.15 ≤ V _{DDIO} ≤ 3.45 (single-supply)
Input leakage current			10	μA	V _{IN} = V _{DDIO(Max)}
Input capacitance		7		pF	
V _{OH}	2.4			V	V _{DDIO} = V _{DDIO(Min)} ; I _{OH} = -4.0
V _{OL}			0.4	V	V _{DDIO} = V _{DDIO(Min)} ; I _{OL} = 4.0
I _{OL}			4.0	mA	
I _{OH}			-4.0	mA	

INPUT/OUTPUT PARAMETERS FOR TTL/TTL 6 MA

Parameter	Min	Typ	Max	Unit	Test Conditions
V _{IH}	2.0			V	4.75 ≤ V _{DDIO} ≤ 5.25 (dual-supply)
					3.15 ≤ V _{DDIO} ≤ 3.45 (single-supply)
V _{IL}			0.8	V	4.75 ≤ V _{DDIO} ≤ 5.25 (dual-supply)
					3.15 ≤ V _{DDIO} ≤ 3.45 (single-supply)
Input leakage current			10	μA	V _{IN} = V _{DDIO(Max)}
Input capacitance		7		pF	
V _{OH}	2.4			V	V _{DDIO} = V _{DDIO(Min)} ; I _{OH} = -6.0
V _{OL}			0.4	V	V _{DDIO} = V _{DDIO(Min)} ; I _{OL} = 6.0
I _{OL}			6.0	mA	
I _{OH}			-6.0	mA	

INPUT/OUTPUT PARAMETERS FOR TTL/TTL 8 MA

Parameter	Min	Typ	Max	Unit	Test Conditions
V _{IH}	2.0			V	4.75 ≤ V _{DDIO} ≤ 5.25 (dual-supply)
					3.15 ≤ V _{DDIO} ≤ 3.45 (single-supply)
V _{IL}			0.8	V	4.75 ≤ V _{DDIO} ≤ 5.25 (dual-supply)
					3.15 ≤ V _{DDIO} ≤ 3.45 (single-supply)
Input leakage current			10	μA	V _{IN} = V _{DDIO(Max)}
Input capacitance		7		pF	
V _{OH}	2.4			V	V _{DDIO} = V _{DDIO(Min)} ; I _{OH} = -8.0
V _{OL}			0.4	V	V _{DDIO} = V _{DDIO(Min)} ; I _{OL} = 8.0
I _{OL}			8.0	mA	
I _{OH}			-8.0	mA	

TIMING CHARACTERISTICS

Detailed timing diagrams for the CUBIT-Pro device are provided in Figures 32 through 51, with values for the timing intervals given in tables below the waveform drawings. All output times are measured with a maximum load capacitance of 25 pF unless otherwise indicated. Timing parameters are measured at voltage levels of $(V_{IH}+V_{IL})/2$ for input signals or $(V_{OH}+V_{OL})/2$ for output signals.

DUTY CYCLE OF INPUT CLOCK SIGNALS

The duty cycle of the input clock signals is defined as the ratio of the duration of the high pulse to the clock signal period, express as a percentage. The required duty cycle values are defined in the following table:

Input Clock Symbol	Input Clock Duty Cycle			
	Min	Typ	Max	Unit
CICLK	40		60	%
PCLK	40		60	%
COCLK	40		60	%
LCLOCK	40		60	%
\overline{CBRC}	40		60	%
\overline{CBWC}	40		60	%

FREQUENCY OF INPUT CLOCK SIGNALS

The required frequency values are defined in the following table:

Input Clock Symbol	Input Clock Frequency			
	Min	Typ	Max	Unit
CICLK			42	MHz
PCLK			42	MHz
COCLK			42	MHz
LCLOCK			42	MHz
\overline{CBRC}			42	MHz
\overline{CBWC}			42	MHz

CONTROL / TRANSLATION RAM INTERFACE

The timing for the translation RAM interface has to be referenced to the appropriate clock selection for the cell inlet clock. Therefore, the timing shown in Figures 32 and 33 shows timings with respect to four different clocks:

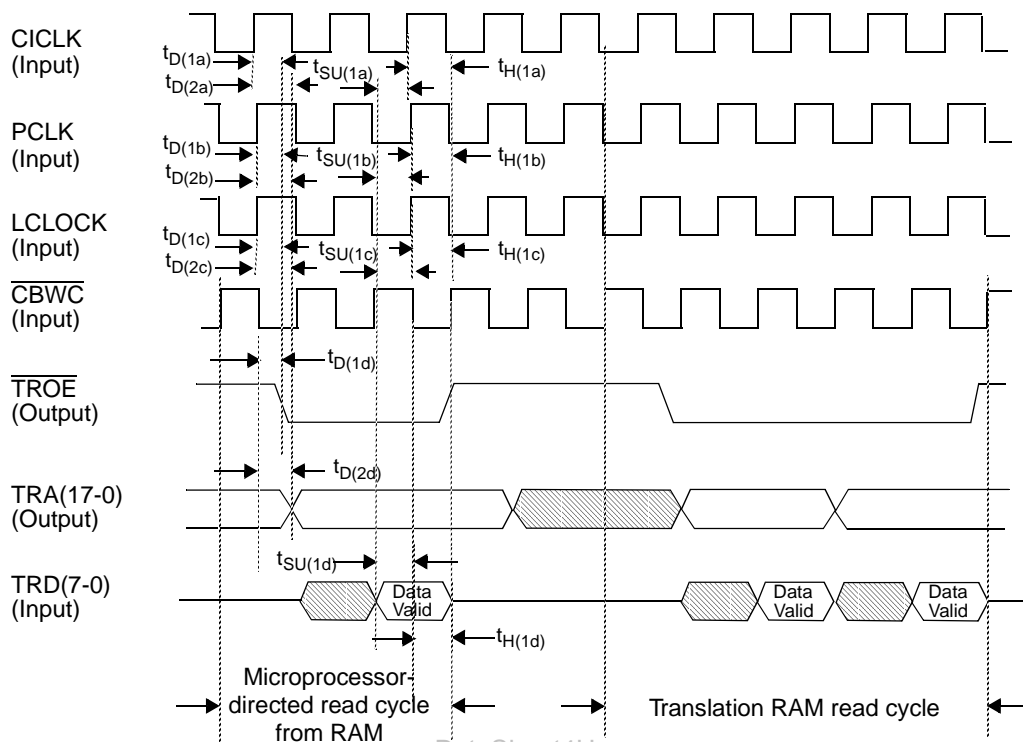
\overline{CBWC} : CLKS[1:0] = 0,0 in UTOPIA/16-Bit (ATM Layer) and Back-to-Back modes

LCLOCK: CLKS[1:0] = 0,1 in UTOPIA/16-Bit (ATM Layer) and Back-to-Back modes

PCLK: CLKS[1:0] = 1,0 in UTOPIA/16-Bit (ATM Layer) and Back-to-Back modes

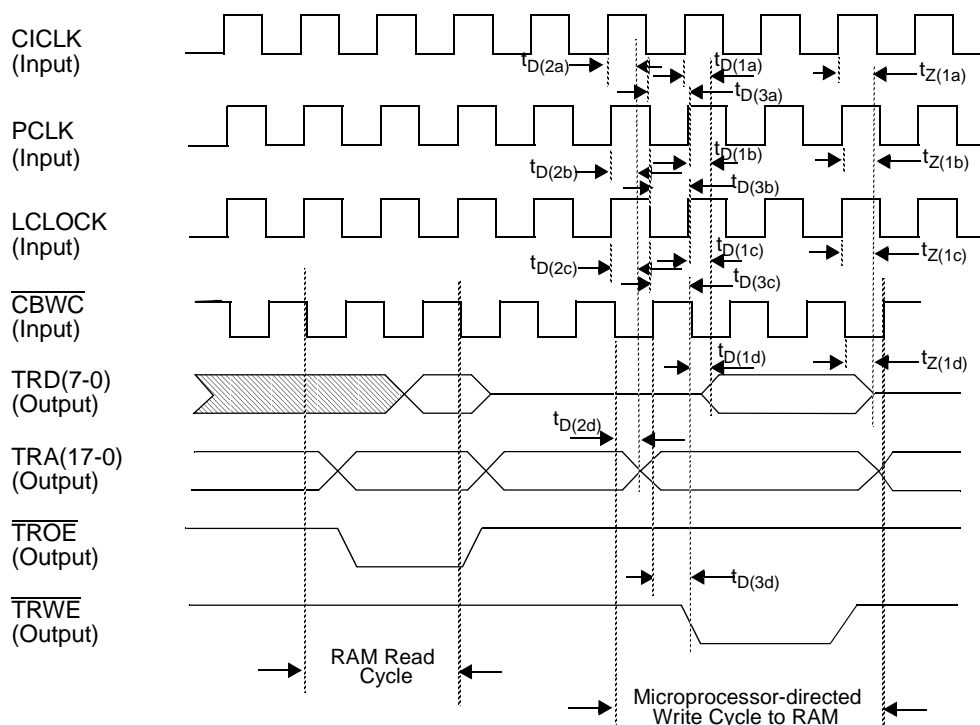
CICLK: \overline{PHYEN} = Low only for UTOPIA/16-Bit (PHY Layer)

Figure 32. Translation RAM Timing - Read from RAM



Parameter	Symbol	Min	Typ	Max for V _{DDIO} of		Unit
				5 V	3.3 V	
TROE output delay after CICKL↑ (PHY Mode)	t _{D(1a)}	4.0		14	17	ns
TROE output delay after PCLK↑	t _{D(1b)}	4.0		16	19	ns
TROE output delay after LCLOCK↑	t _{D(1c)}	4.0		14	17	ns
TROE output delay after CBWC↓	t _{D(1d)}	4.0		20	23	ns
TRA(17-0) output delay after CICKL↑	t _{D(2a)}	4.0		16	19	ns
TRA(17-0) output delay after PCLK↑	t _{D(2b)}	4.0		16	19	ns
TRA(17-0) output delay after LCLOCK↑	t _{D(2c)}	4.0		16	19	ns
TRA(17-0) output delay after CBWC↓	t _{D(2d)}	4.0		21	24	ns
TRD(7-0) setup time before CICKL↑	t _{SU(1a)}	1.0				ns
TRD(7-0) setup time before PCLK↑	t _{SU(1b)}	1.0				ns
TRD(7-0) setup time before LCLOCK↑	t _{SU(1c)}	1.0				ns
TRD(7-0) setup time before CBWC↓	t _{SU(1d)}	1.0				ns
TRD(7-0) hold time after CICKL↑	t _{H(1a)}	6.0				ns
TRD(7-0) hold time after PCLK↑	t _{H(1b)}	6.0				ns
TRD(7-0) hold time after LCLOCK↑	t _{H(1c)}	6.0				ns
TRD(7-0) hold time after CBWC↓	t _{H(1d)}	11				ns

Note: TROE output is high. All timing parameter values apply to both Microprocessor and Translation RAM read cycles.

Figure 33. Translation RAM Timing - Write to RAM

DataSheet4U.com

Parameter	Symbol	Min	Typ	Max for V_{DDIO} of		Unit
				5 V	3.3 V	
TRD(7-0) delay from tristate after CICKL \uparrow	$t_{D(1a)}$	4.0		16	19	ns
TRD(7-0) delay from tristate after PCLK \uparrow	$t_{D(1b)}$	4.0		16	19	ns
TRD(7-0) delay from tristate after $\overline{LCLOCK}\uparrow$	$t_{D(1c)}$	4.0		16	19	ns
TRD(7-0) delay from tristate after $\overline{CBWC}\downarrow$	$t_{D(1d)}$	4.0		21	24	ns
TRD(7-0) delay to tristate after CICKL \uparrow	$t_{Z(1a)}$	4.0		16	19	ns
TRD(7-0) delay to tristate after PCLK \uparrow	$t_{Z(1b)}$	4.0		16	19	ns
TRD(7-0) delay to tristate after $\overline{LCLOCK}\uparrow$	$t_{Z(1c)}$	4.0		16	19	ns
TRD(7-0) delay to tristate after $\overline{CBWC}\downarrow$	$t_{Z(1d)}$	4.0		21	24	ns
TRA(17-0) delay after CICKL \uparrow	$t_{D(2a)}$	4.0		16	19	ns
TRA(17-0) delay after PCLK \uparrow	$t_{D(2b)}$	4.0		17	20	ns
TRA(17-0) delay after $\overline{LCLOCK}\uparrow$	$t_{D(2c)}$	4.0		16	19	ns
TRA(17-0) delay after $\overline{CBWC}\downarrow$	$t_{D(2d)}$	4.0		21	24	ns
\overline{TRWE} delay after CICKL \downarrow	$t_{D(3a)}$	4.0		15	18	ns
\overline{TRWE} delay after PCLK \downarrow	$t_{D(3b)}$	4.0		14	17	ns
\overline{TRWE} delay after $\overline{LCLOCK}\downarrow$	$t_{D(3c)}$	4.0		14	17	ns
\overline{TRWE} delay after $\overline{CBWC}\uparrow$	$t_{D(3d)}$	4.0		18	21	ns

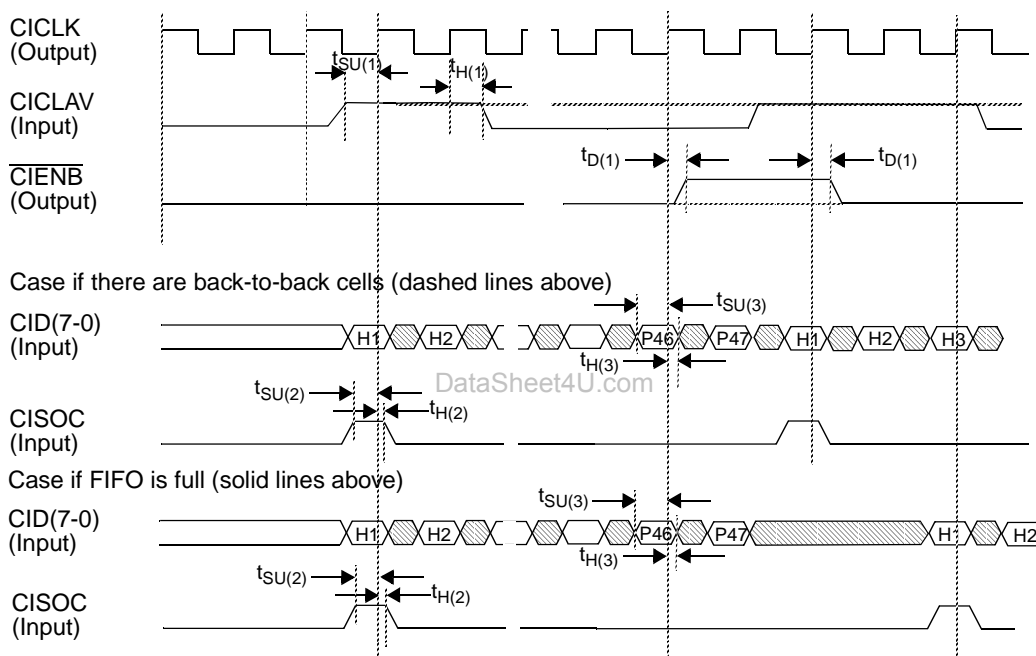
CELL INTERFACE

Note: For all cell interface timing diagrams, the 48 payload bytes of the cell are labelled as P0 through P47. This is consistent with Figures 9 and 12, which describe the byte/word ordering of the four cell interface modes.

Cell Inlet, UTOPIA Mode

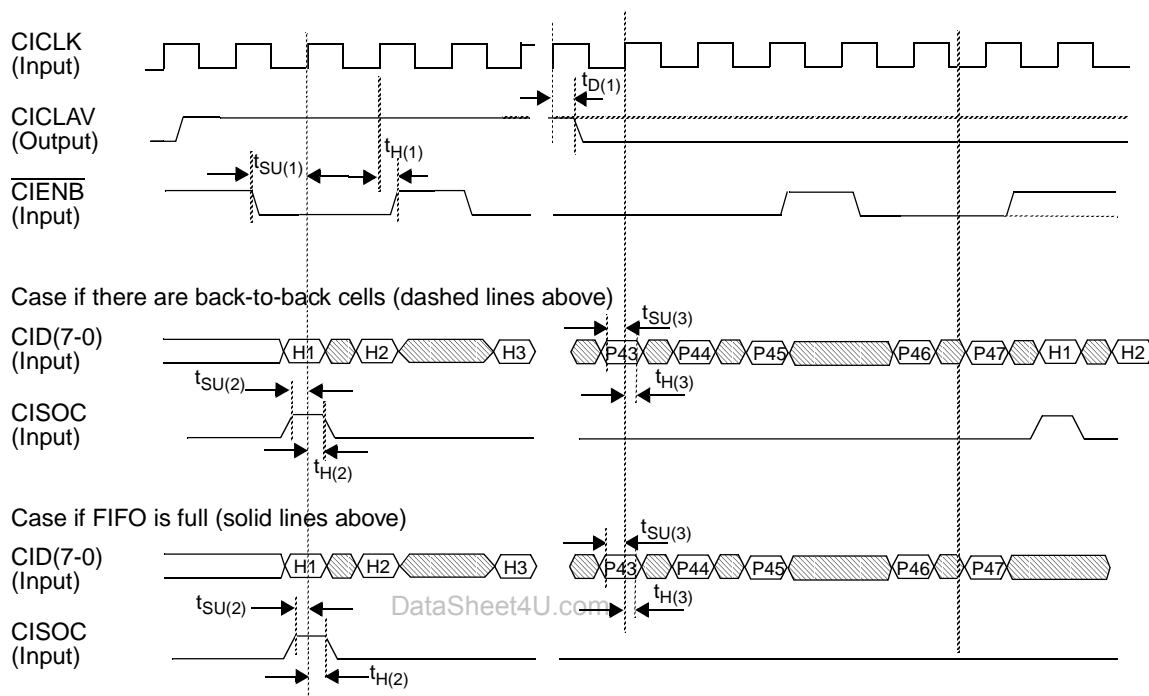
ATM Layer Emulation Timing (Receive UTOPIA Interface Timing)

Figure 34. Timing of UTOPIA (ATM Layer Emulation) Cell Inlet Interface



Parameter	Symbol	Min	Typ	Max for V _{DDIO} of		Unit
				5 V	3.3 V	
CICKLAV setup time before CICKLK \uparrow	$t_{SU(1)}$	10.5				ns
CICKLAV hold time after CICKLK \uparrow	$t_{H(1)}$	1.0				ns
CIENB delay after CICKLK \uparrow	$t_{D(1)}$	1.0		9.0	12	ns
CISOC setup time before CICKLK \uparrow	$t_{SU(2)}$	9.5				ns
CISOC hold time after CICKLK \uparrow	$t_{H(2)}$	1.0				ns
CID(7-0) setup time before CICKLK \uparrow	$t_{SU(3)}$	10.0				ns
CID(7-0) hold time after CICKLK \uparrow	$t_{H(3)}$	1.0				ns

PHY Layer Emulation Timing (Transmit UTOPIA Interface Timing)

Figure 35. Timing of UTOPIA (PHY Layer Emulation) Cell Inlet Interface

Parameter	Symbol	Min	Typ	Max for V_{DDIO} of		Unit
				5 V	3.3 V	
CICKLAV delay from CICKLK \uparrow	$t_{D(1)}$	1.0		18	21	ns
\overline{CIENB} setup time before CICKLK \uparrow	$t_{SU(1)}$	6.0				ns
\overline{CIENB} hold time after CICKLK \uparrow	$t_{H(1)}$	0.0				ns
CISOC setup time before CICKLK \uparrow	$t_{SU(2)}$	6.0				ns
CISOC hold time after CICKLK \uparrow	$t_{H(2)}$	1.0				ns
CID(7-0) setup time before CICKLK \uparrow	$t_{SU(3)}$	6.0				ns
CID(7-0) hold time after CICKLK \uparrow	$t_{H(3)}$	1.0				ns

CUBIT-Pro
TXC-05802B

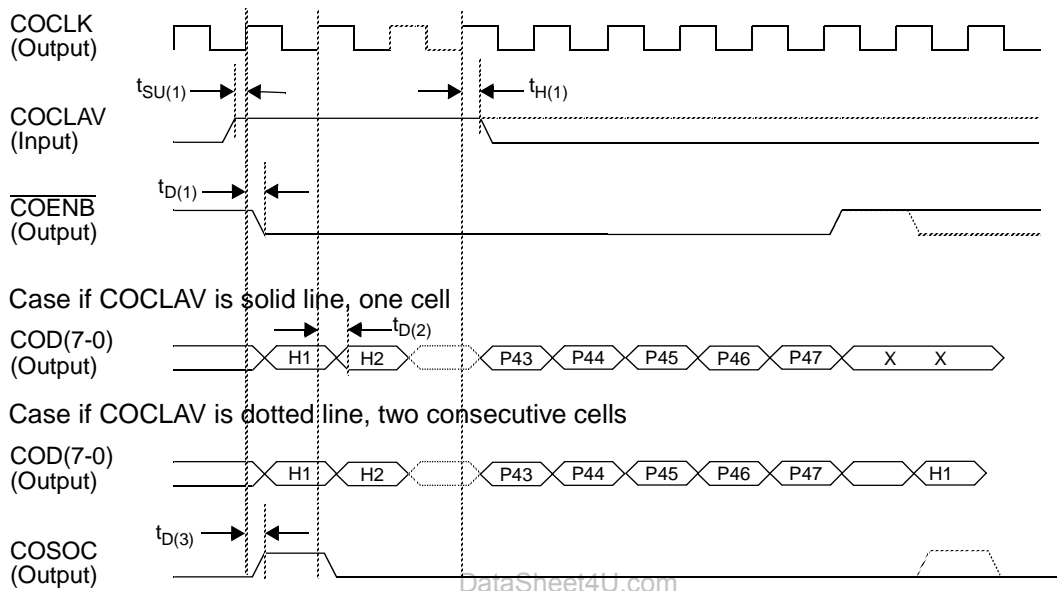
DATA SHEET

TRAN SWITCH®

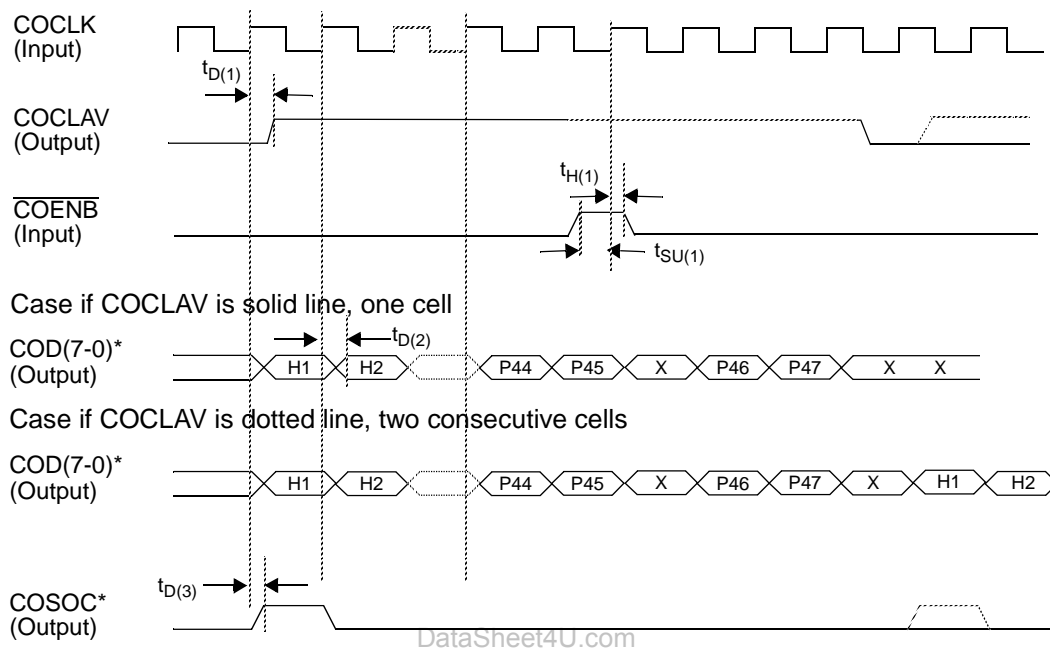
Cell Outlet, UTOPIA Mode

ATM Layer Emulation Timing (Transmit UTOPIA Interface Timing)

Figure 36. Timing of UTOPIA (ATM Layer Emulation) Cell Outlet Interface



Parameter	Symbol	Min	Typ	Max for V _{DDIO} of		Unit
				5 V	3.3 V	
COCLAV setup time before COCLK↑	t _{SU(1)}	6.0				ns
COCLAV hold time after COCLK↑	t _{H(1)}	1.0				ns
$\overline{\text{COENB}}$ delay after COCLK↑	t _{D(1)}	1.0		6.0	9.0	ns
COD(7-0) delay after COCLK↑	t _{D(2)}	1.0		8.0	11	ns
COSOC delay after COCLK↑	t _{D(3)}	1.0		7.0	10	ns

PHY Layer Emulation Timing (Receive UTOPIA Interface Timing)**Figure 37. Timing of UTOPIA (PHY Layer Emulation) Cell Outlet Interface**

* Note: The COD(7-0) and COSOC outputs are tristated if the $\overline{\text{COENB}}$ input is changed to high.

Parameter	Symbol	Min	Typ	Max for V_{DDIO} of		Unit
				5 V	3.3 V	
COCLAV delay after COCLK \uparrow	$t_{\text{D}(1)}$	1.0		12	15	ns
$\overline{\text{COENB}}$ setup time before COCLK \uparrow	$t_{\text{SU}(1)}$	9.0				ns
$\overline{\text{COENB}}$ hold time after COCLK \uparrow	$t_{\text{H}(1)}$	1.0				ns
COD(7-0) delay after COCLK \uparrow	$t_{\text{D}(2)}$	1.0		15	18	ns
COSOC delay after COCLK \uparrow	$t_{\text{D}(3)}$	1.0		15	18	ns

CUBIT-Pro
TXC-05802B

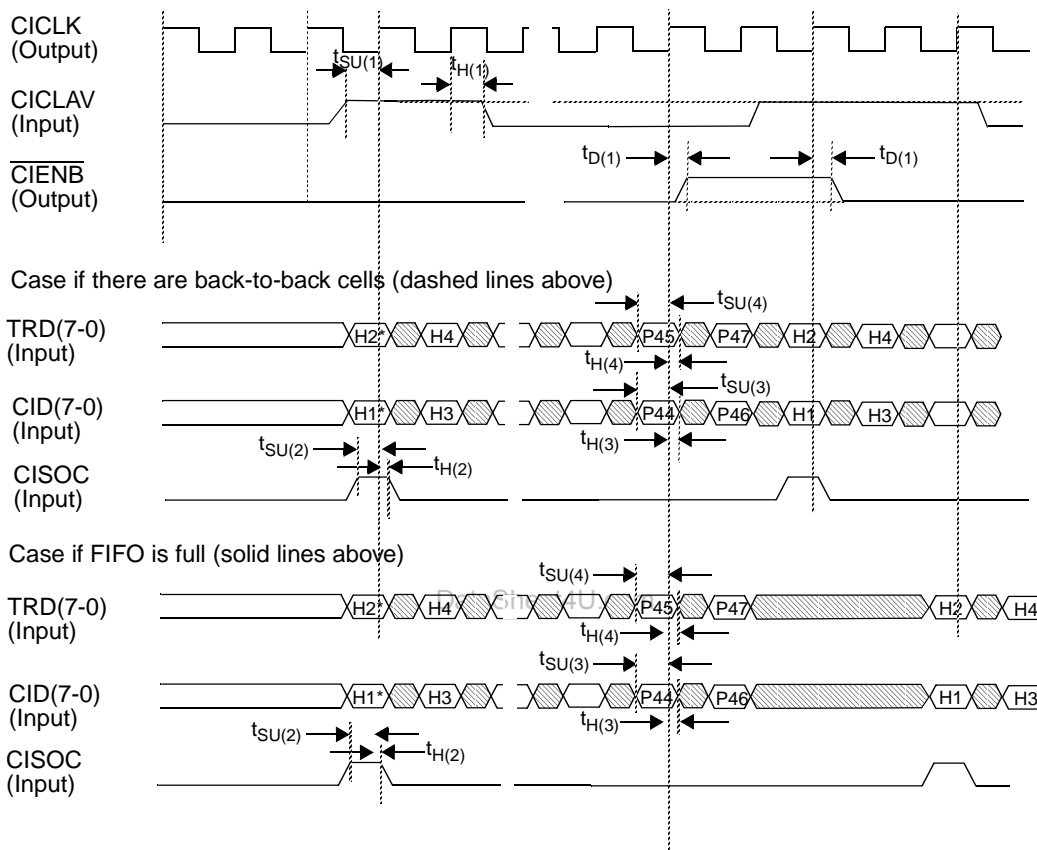
DATA SHEET

TRANSWITCH[®]

Cell Inlet, 16-Bit Cell Interface Mode

ATM Layer Emulation Timing (Receive UTOPIA Interface Timing)

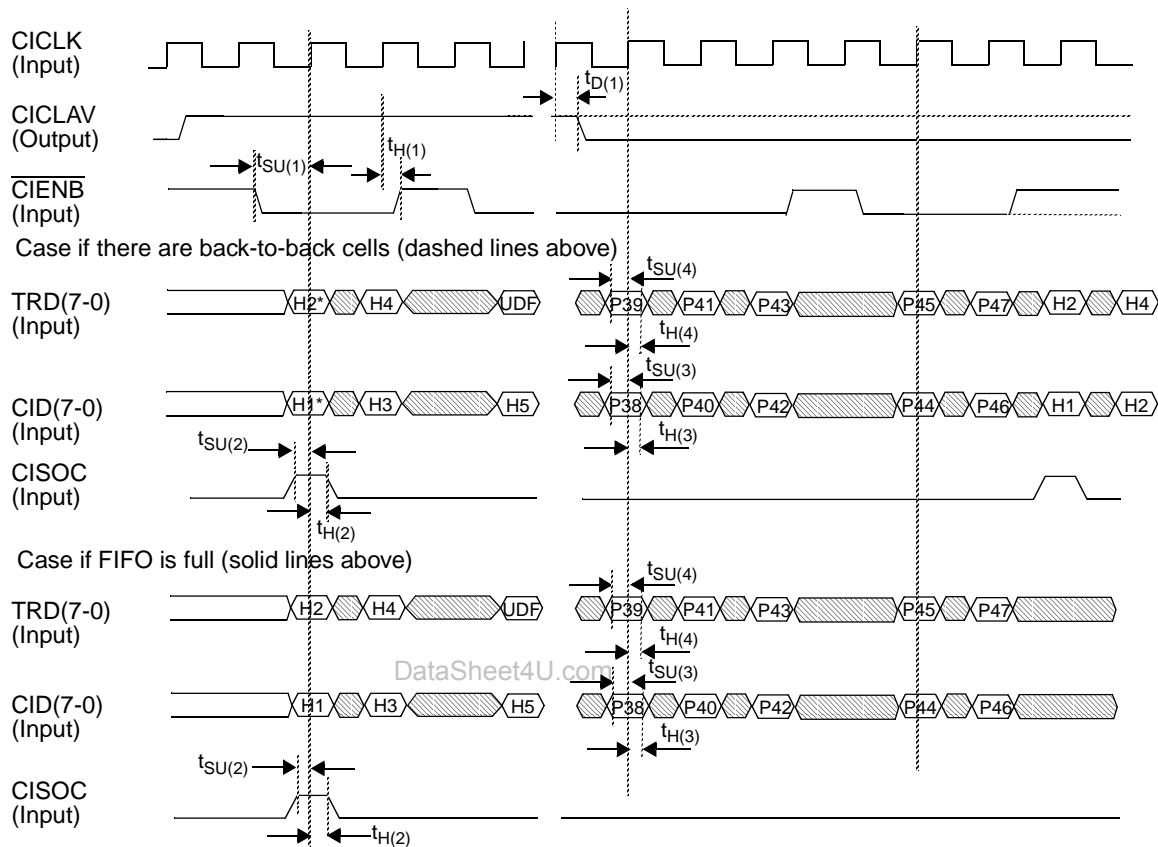
Figure 38. Timing of 16-Bit (ATM Layer Emulation) Cell Inlet Interface



Parameter	Symbol	Min	Typ	Max for V _{DDIO} of		Unit
				5 V	3.3 V	
CICALV setup time before CICKL↑	t _{SU(1)}	10.5				ns
CICALV hold time after CICKL↑	t _{H(1)}	1.0				ns
CIENB delay after CICKL↑	t _{D(1)}	1.0		9.0	12	ns
CISOC setup time before CICKL↑	t _{SU(2)}	9.5				ns
CISOC hold time after CICKL↑	t _{H(2)}	1.0				ns
CID(7-0) setup time before CICKL↑	t _{SU(3)}	10.0				ns
CID(7-0) hold time after CICKL↑	t _{H(3)}	1.0				ns
TRD(7-0) setup time before CICKL↑	t _{SU(4)}	6.0				ns
TRD(7-0) hold time after CICKL↑	t _{H(4)}	1.0				ns

PHY Layer Emulation Timing (Transmit UTOPIA Interface Timing)

Figure 39. Timing of 16-Bit (PHY Layer Emulation) Cell Inlet Interface



Parameter	Symbol	Min	Typ	Max for V _{DDIO} of		Unit
				5 V	3.3 V	
CICKLAV delay from CICKLK↑	$t_{D(1)}$	1.0		18	21	ns
$\overline{\text{CIENB}}$ setup time before CICKLK↑	$t_{SU(1)}$	6.0				ns
$\overline{\text{CIENB}}$ hold time after CICKLK↑	$t_{H(1)}$	0.0				ns
CISOC setup time before CICKLK↑	$t_{SU(2)}$	6.0				ns
CISOC hold time after CICKLK↑	$t_{H(2)}$	1.0				ns
CID(7-0) setup time before CICKLK↑	$t_{SU(3)}$	6.0				ns
CID(7-0) hold time after CICKLK↑	$t_{H(3)}$	1.0				ns
TRD(7-0) setup time before CICKLK↑	$t_{SU(4)}$	6.0				ns
TRD(7-0) hold time after CICKLK↑	$t_{H(4)}$	1.0				ns

CUBIT-Pro
TXC-05802B

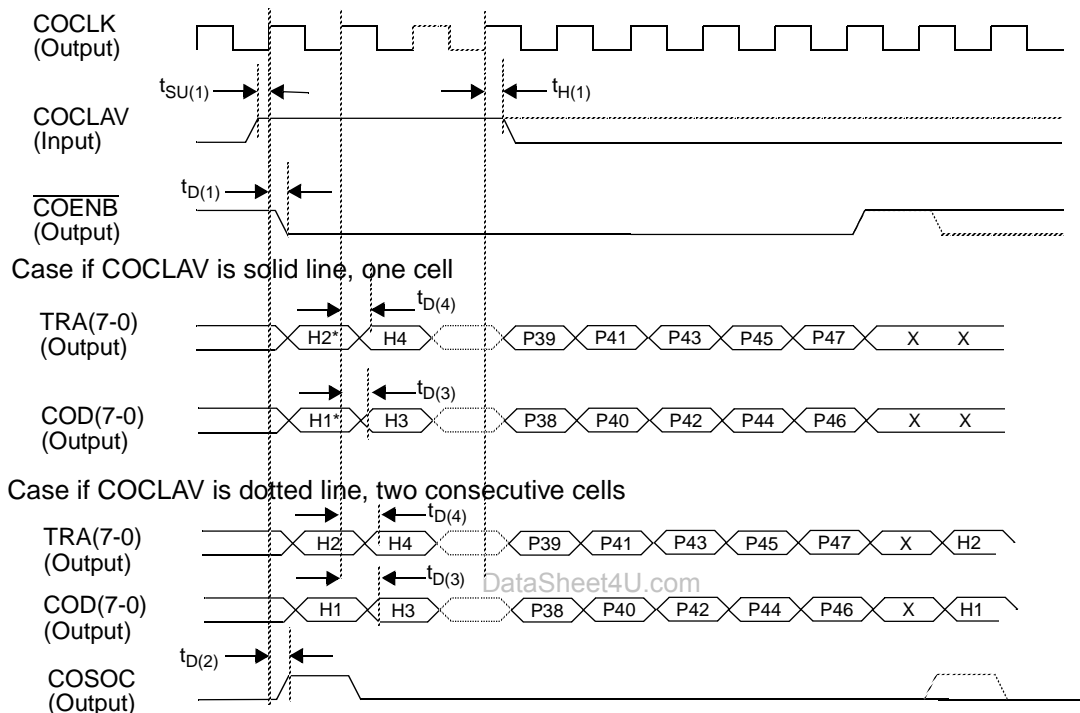
DATA SHEET

TRANSWITCH®

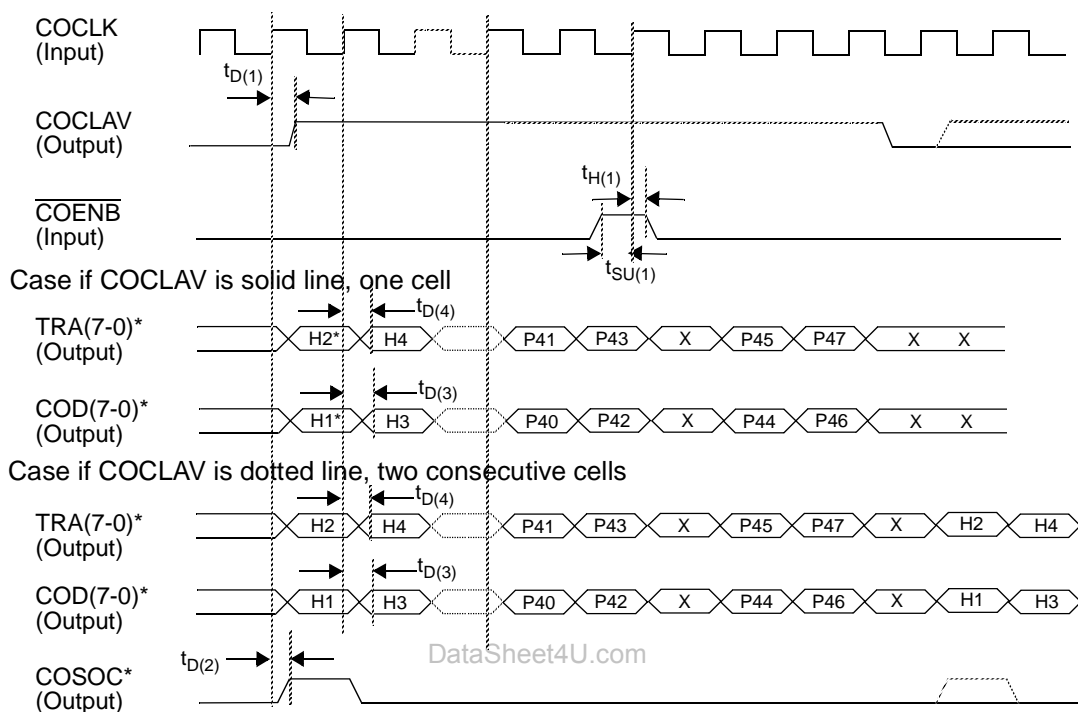
Cell Outlet, 16-Bit Cell Interface Mode

ATM Layer Emulation Timing (Transmit UTOPIA Interface Timing)

Figure 40. Timing of 16-Bit (ATM Layer Emulation) Cell Outlet Interface



Parameter	Symbol	Min	Typ	Max for V_{DDIO} of		Unit
				5 V	3.3 V	
COCLAV setup time before COCLK \uparrow	$t_{SU(1)}$	6.0				ns
COCLAV hold time after COCLK \uparrow	$t_{H(1)}$	1.0				ns
\overline{COENB} delay after COCLK \uparrow	$t_{D(1)}$	1.0		6.0	9.0	ns
COSOC delay after COCLK \uparrow	$t_{D(2)}$	1.0		7.0	10	ns
COD(7-0) delay after COCLK \uparrow	$t_{D(3)}$	1.0		8.0	11	ns
TRA(7-0) delay after COCLK \uparrow	$t_{D(4)}$	1.0		7.0	10	ns

PHY Layer Emulation Timing (Receive UTOPIA Interface Timing)**Figure 41. Timing of 16-Bit (PHY Layer Emulation) Cell Outlet Interface**

* Note: The TRA(7-0), COD(7-0) and COSOC outputs are tristated if the $\overline{\text{COENB}}$ input is changed to high.

Parameter	Symbol	Min	Typ	Max for V_{DDIO} of		Unit
				5 V	3.3 V	
COCLAV delay after COCLK \uparrow	$t_{D(1)}$	1.0		12	15	ns
$\overline{\text{COENB}}$ setup time before COCLK \uparrow	$t_{SU(1)}$	9.0				ns
$\overline{\text{COENB}}$ hold time after COCLK \uparrow	$t_{H(1)}$	1.0				ns
COSOC delay after COCLK \uparrow	$t_{D(2)}$	1.0		15	18	ns
COD(7-0) delay after COCLK \uparrow	$t_{D(3)}$	1.0		16	19	ns
TRA(7-0) delay after COCLK \uparrow	$t_{D(4)}$	1.0		15	18	ns

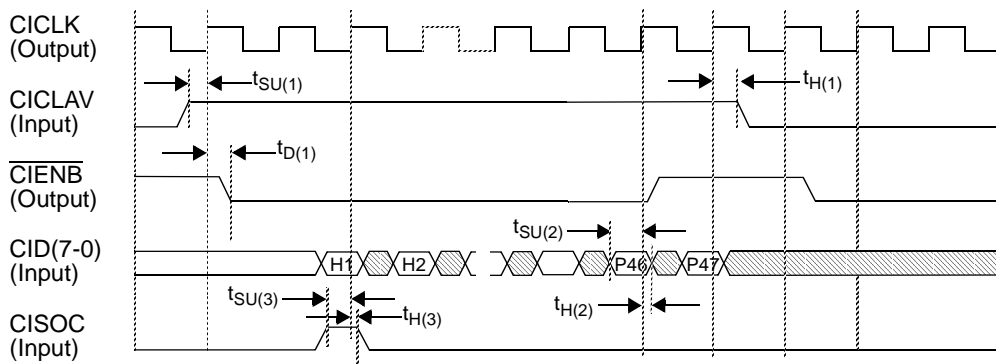
CUBIT-Pro
TXC-05802B

DATA SHEET

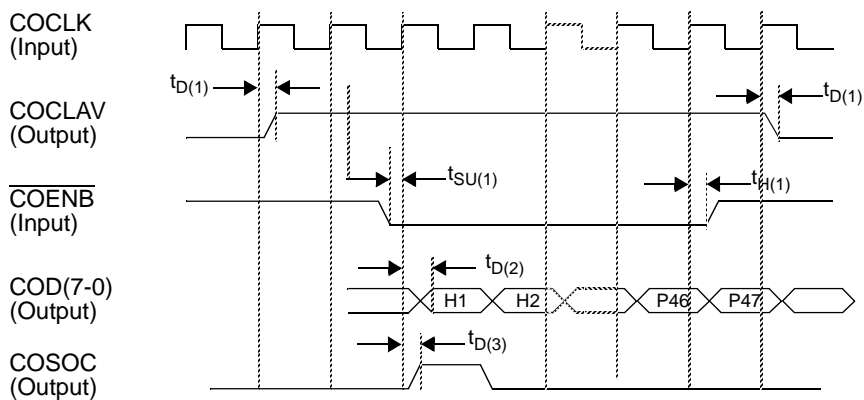
TRANSWITCH®

Cell Inlet, Back-to-Back Mode

Figure 42. Timing of Back-to-Back Cell Receive Interface



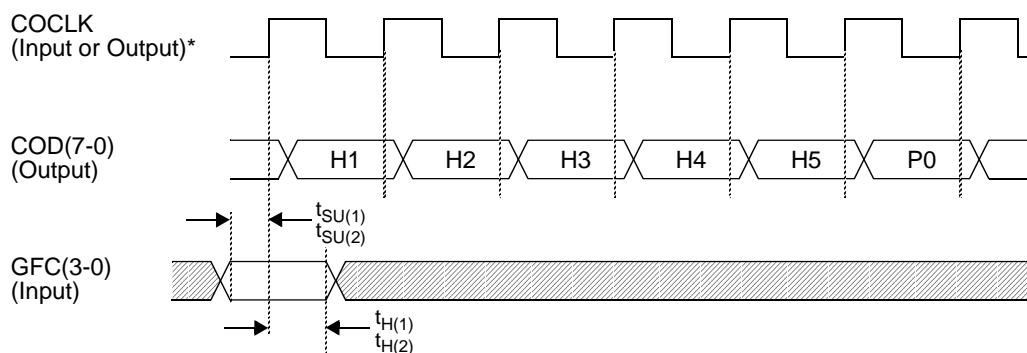
Parameter	Symbol	Min	Typ	Max for V _{DDIO} of		Unit
				5 V	3.3 V	
CICKAV setup time before CICK↑	$t_{SU(1)}$	10				ns
CICKAV hold time after CICK↑	$t_{H(1)}$	0.0				ns
CIENB delay after CICK↑	$t_{D(1)}$	1.0		9.0	12	ns
CID(7-0) setup time before CICK↑	$t_{SU(2)}$	9.0				ns
CID(7-0) hold time after CICK↑	$t_{H(2)}$	0.0				ns
CISOC setup time before CICK↑	$t_{SU(3)}$	9.0				ns
CISOC hold time after CICK↑	$t_{H(3)}$	0.0				ns

Cell Outlet, Back-to-Back Mode**Figure 43. Timing of Back-to-Back Cell Transmit Interface**

Parameter	Symbol	Min	Typ	Max for V_{DDIO} of		Unit
				5 V	3.3 V	
COCLAV delay after COCLK \uparrow	$t_{D(1)}$			16	19	ns
\overline{COENB} setup time before COCLK \uparrow	$t_{SU(1)}$	18				ns
\overline{COENB} hold time after COCLK \uparrow	$t_{H(1)}$	0.0				ns
COD(7-0) delay after COCLK \uparrow	$t_{D(2)}$			15	18	ns
COSOC delay after COCLK \uparrow	$t_{D(3)}$			15	18	ns

GFC Field Insertion

Figure 44. GFC Field Insertion Timing



* Note: Output signal for UTOPIA and 16-Bit ATM Layer emulation modes.
Input signal for UTOPIA and 16-Bit PHY Layer emulation modes and Back-to-Back mode.

ATM Mode

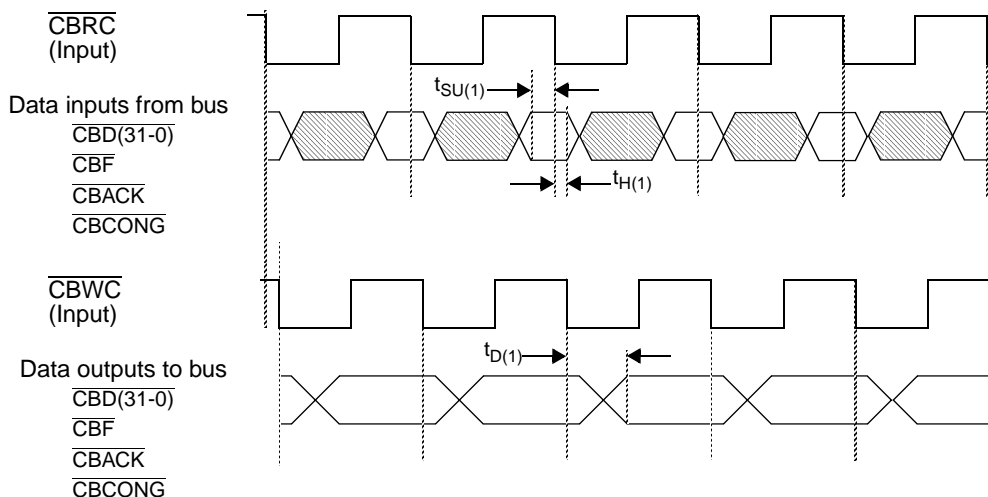
Parameter	Symbol	Min	Typ	Max	Unit
GFC(3-0) setup time before COCLK \uparrow	$t_{SU(1)}$	4.0			ns
GFC(3-0) hold time after COCLK \uparrow	$t_{H(1)}$	0.0			ns

PHY Mode

Parameter	Symbol	Min	Typ	Max	Unit
GFC(3-0) setup time before COCLK \uparrow	$t_{SU(2)}$	0.0			ns
GFC(3-0) hold time after COCLK \uparrow	$t_{H(2)}$	4.0			ns

CellBus BUS PORT

Figure 45. CellBus Bus Timing



Parameter	Symbol	Min	Typ	Max	Unit
CellBus bus inputs setup time before $\overline{\text{CBRC}}\downarrow$	$t_{SU(1)}$	0.0			ns
CellBus bus inputs hold time after $\overline{\text{CBRC}}\downarrow$	$t_{H(1)}$	6.0			ns
CellBus bus outputs delay after $\overline{\text{CBWC}}\downarrow$	$t_{D(1)}$	5.0		See note	ns

Note:

The CUBIT-Pro CellBus write clock to CellBus data out time delay $t_{D(1)}$ has two components, internal delay and GTL+ driver delay. The internal delay consists of the delay from the $\overline{\text{CBWC}}$ input, through the GTL+ receiver, internal CUBIT-Pro circuitry and into the (internal) input pin of the GTL+ driver. This internal delay is dependent solely on temperature and process variation and has minimum and maximum values of 5.0 ns and 11 ns, respectively. The GTL+ driver delay includes the effects of the (internal) GTL+ driver and all external loading, from the chip bond wire inductance onwards. For the purposes of specification, a test load is used which consists of a 13 nH bond wire inductance from the VLSI device output pad to the package output pin, and a 50 ohm resistor to +1.5 volts with a 1.0 pF capacitor to ground from the package output pin. The total value of $t_{D(1)}$ is increased to 5.0 ns minimum and 18 ns maximum when using this load.

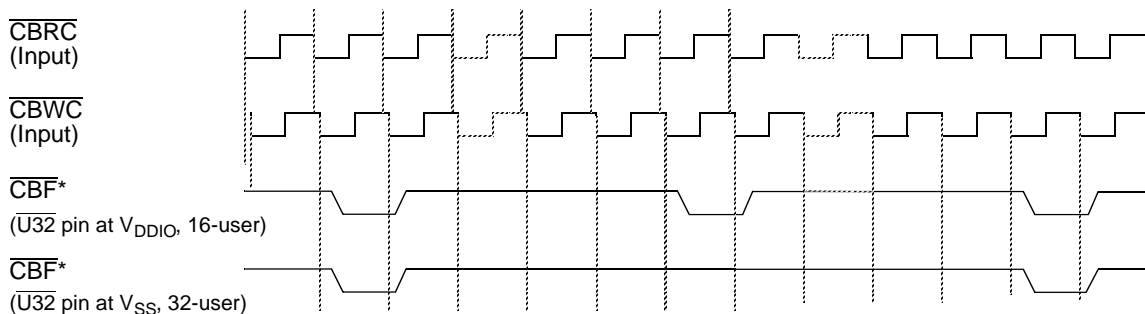
These output delay values by themselves may be inadequate to complete a system design. TranSwitch strongly recommends that all CellBus applications should be analyzed by high speed backplane and simulation specialists, using such tools as HSpice[®] analog circuit simulation.

These simulations can model timing from one CUBIT-Pro, through various levels of system interconnect, to another CUBIT-Pro, and include the effects of the device package, printed circuit board, connectors and backplane. The results of these simulations, when added to the internal delay, will provide the actual value of $t_{D(1)}$ for a given system. TranSwitch is able to support simulations by providing up-to-date models of the GTL+ transceiver used within the CUBIT-Pro.

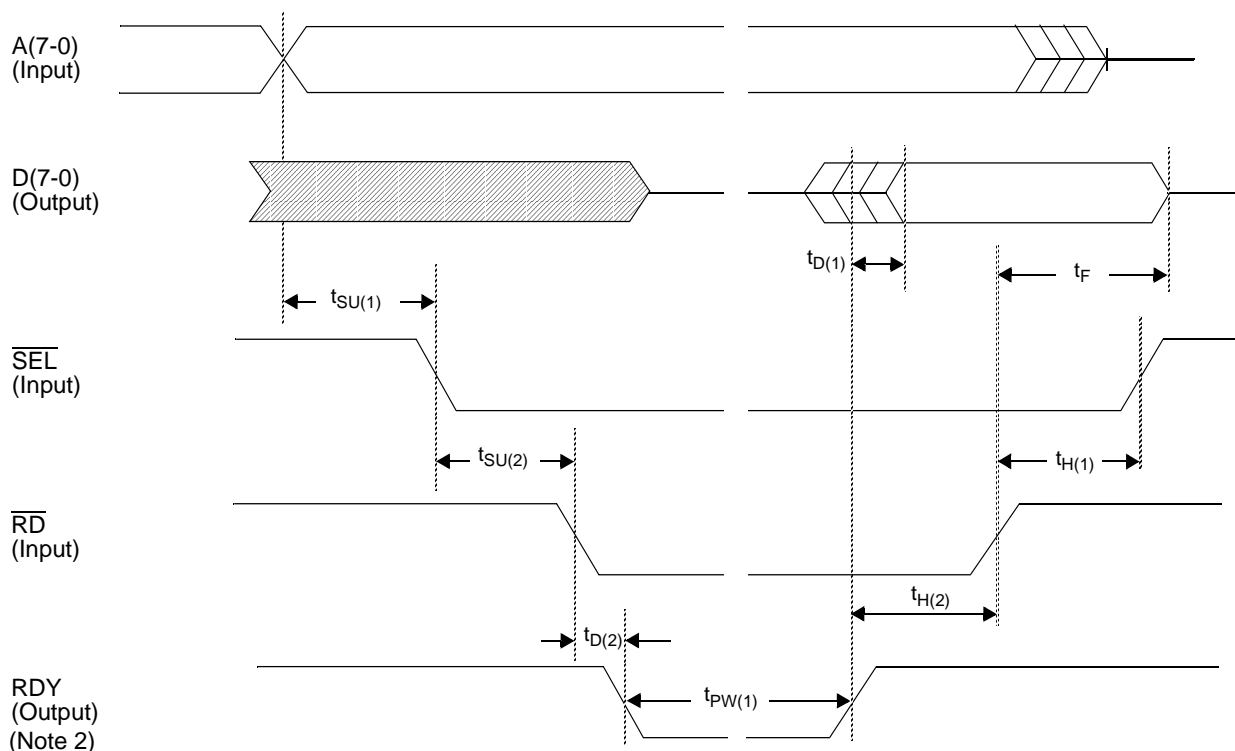
Please contact the TranSwitch Applications Engineering Department for additional information, a list of proven high speed simulation consultants and support.

Note: HSpice is a registered trademark of Meta-Software, Inc.

Figure 46. CellBus Bus Frame Position, 16-User and 32-User Applications



*Note: Output from the CUBIT-Pro that is selected to perform the bus arbitration function. Input to all other CUBIT-Pros on the CellBus bus.

Microprocessor InterfaceIntel Mode: Read Cycle**Figure 47. Intel Microprocessor Read Cycle Timing**

Parameter	Symbol	Min	Typ	Max for V_{DDIO} of		Unit
				5 V	3.3 V	
A(7-0) setup time to $\overline{SEL}\downarrow$	$t_{SU(1)}$	0.0				ns
D(7-0) valid delay after $RDY\uparrow$	$t_{D(1)}$	-10				ns
D(7-0) float time to tristate after $\overline{RD}\uparrow$	t_F	1.0		5.0	8.0	ns
\overline{SEL} setup time to $\overline{RD}\downarrow$	$t_{SU(2)}$	0.0				ns
\overline{SEL} hold time after $\overline{RD}\uparrow$	$t_{H(1)}$	0.0				ns
\overline{RD} hold time after $\overline{RDY}\uparrow$	$t_{H(2)}$	0.0				ns
RDY delay after $\overline{RD}\downarrow$	$t_{D(2)}$	0.0		12	15	ns
RDY pulse width	$t_{PW(1)}$	0.0		Note 1		ns

Notes:

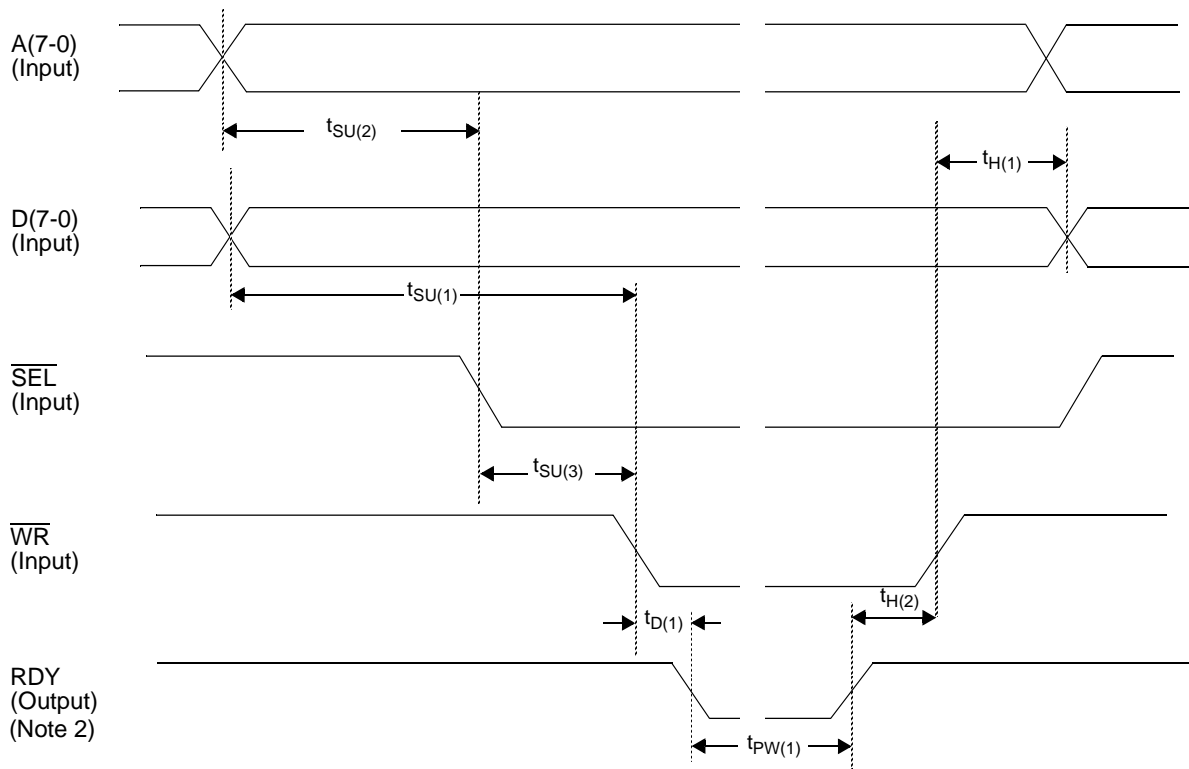
1. The CUBIT-Pro will hold off the microprocessor for a period of up to 32 periods of the *CellBus* bus, LCLOCK or PCLK clock selected by the settings of control bits CLKS1 and CLKS0 (bits 5 and 4 in register 0BH). This occurs only during accesses to the external Translation RAM.

2. RDY is an open drain output signal pin that requires a pull-up resistor to V_{DDIO} for proper operation.

www.DataSheet4U.com

Intel Mode: Write Cycle

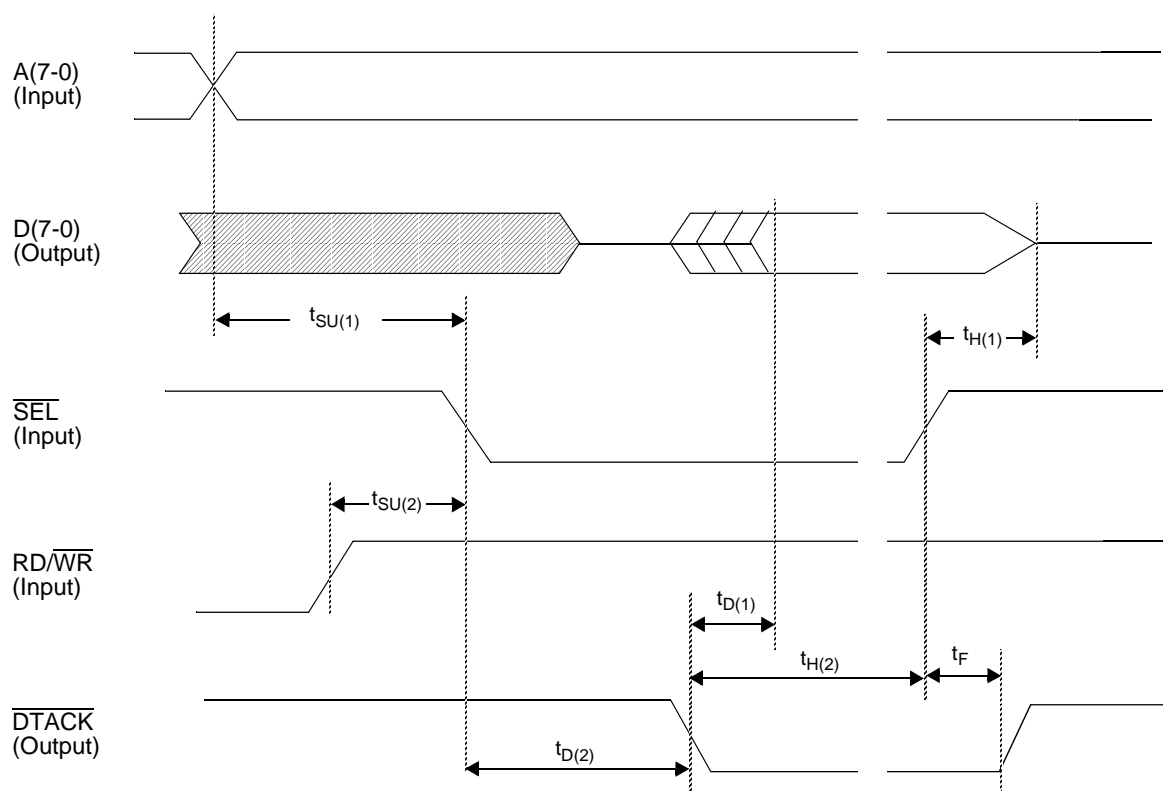
Figure 48. Intel Microprocessor Write Cycle Timing



Parameter	Symbol	Min	Typ	Max for V_{DDIO} of		Unit
				5 V	3.3 V	
A(7-0) setup time to $\overline{SEL}\downarrow$	$t_{SU(2)}$	0.0				ns
D(7-0) hold time after $\overline{WR}\uparrow$	$t_{H(1)}$	5.0				ns
\overline{WR} hold after $RDY\uparrow$	$t_{H(2)}$	0.0				ns
D(7-0) valid setup time to $\overline{WR}\downarrow$	$t_{SU(1)}$	0.0				ns
\overline{SEL} setup time to $\overline{WR}\downarrow$	$t_{SU(3)}$	0.0				ns
RDY delay after $\overline{WR}\downarrow$	$t_{D(1)}$	0.0		12	15	ns
RDY pulse width	$t_{PW(1)}$	0.0		Note 1		ns

Notes:

1. The CUBIT-Pro will hold off the microprocessor for a period of up to 32 periods of the *CellBus* bus, LCLOCK or PCLK clock selected by the settings of control bits CLKS1 and CLKS0 (bits 5 and 4 in register 0BH). This occurs only during accesses to the external Translation RAM.
2. RDY is an open drain output signal pin that requires a pull-up resistor to V_{DDIO} for proper operation.

Motorola Mode: Read Cycle**Figure 49. Motorola Microprocessor Read Cycle Timing**

Parameter	Symbol	Min	Typ	Max for V_{DDIO} of		Unit
				5 V	3.3 V	
A(7-0) valid setup time to $\overline{SEL}\downarrow$	$t_{SU(1)}$	0.0				ns
D(7-0) hold time after $\overline{SEL}\uparrow$	$t_{H(1)}$	1.0		5.0	8.0	ns
D(7-0) output delay after $\overline{DTACK}\downarrow$	$t_{D(1)}$			0.0		ns
\overline{SEL} hold time after $\overline{DTACK}\downarrow$	$t_{H(2)}$	5.0				ns
$\overline{RD}/\overline{WR}$ setup time to $\overline{SEL}\downarrow$	$t_{SU(2)}$	0.0				ns
$\overline{DTACK}\downarrow$ delay time from $\overline{SEL}\downarrow$	$t_{D(2)}$	$2 \cdot PCLK$		Note 1		ns
$\overline{DTACK}\downarrow$ float time after $\overline{SEL}\uparrow$	t_F	1.0		10	13	ns

Note 1: The CUBIT-Pro will hold off the microprocessor for a period of up to 32 periods of the *CellBus* bus, LCLOCK or PCLK clock selected by the settings of control bits CLKS1 and CLKS0 (bits 5 and 4 in register 0BH). This occurs only during accesses to the external Translation RAM.

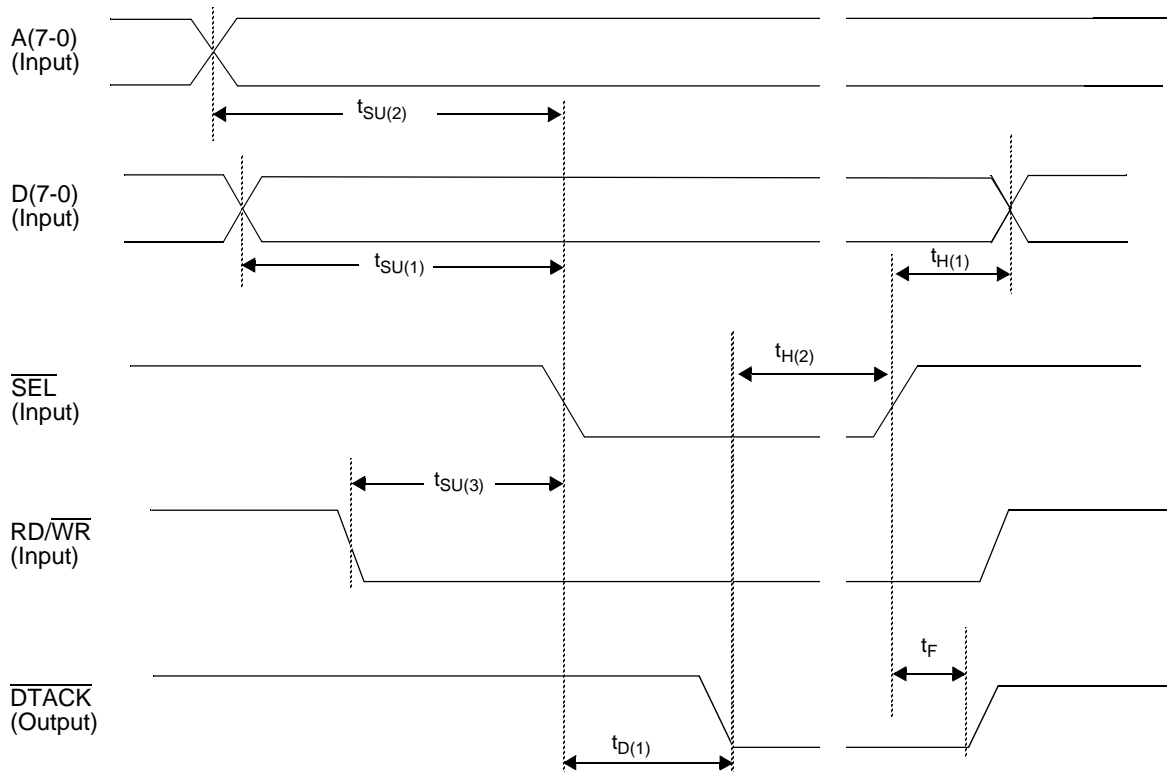
CUBIT-Pro
TXC-05802B

DATA SHEET

TRANSWITCH®

Motorola Mode: Write Cycle

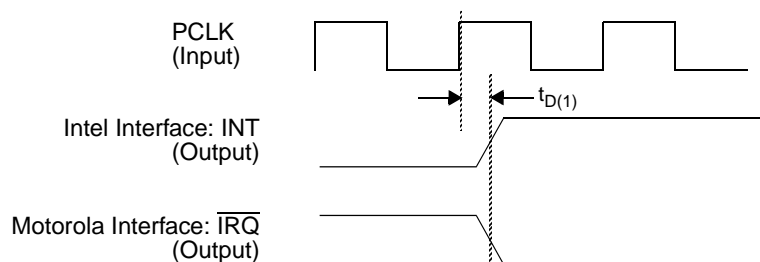
Figure 50. Motorola Microprocessor Write Cycle Timing



Parameter	Symbol	Min	Typ	Max for V_{DDIO} of		Unit
				5 V	3.3 V	
A(7-0) valid setup time to $\overline{SEL}\downarrow$	$t_{SU(2)}$	0.0				ns
D(7-0) valid setup time to $\overline{SEL}\downarrow$	$t_{SU(1)}$	0.0				ns
$\overline{D(7-0)}$ hold time after $\overline{SEL}\uparrow$	$t_{H(1)}$	0.0				ns
\overline{SEL} hold time after $\overline{DTACK}\downarrow$	$t_{H(2)}$	0.0				ns
$\overline{RD/WR}\downarrow$ setup time to $\overline{SEL}\downarrow$	$t_{SU(3)}$	0.0				ns
$\overline{DTACK}\downarrow$ delay after $\overline{SEL}\downarrow$	$t_{D(1)}$	Note 1		Note 2		ns
\overline{DTACK} float time after $\overline{SEL}\uparrow$	t_F	1.0		10	13	ns

Notes:

- Two cycles of clock PCLK.
- The CUBIT-Pro will hold off the microprocessor for a period of up to 32 periods of the *CellBus* bus, LCLOCK or PCLK clock selected by the settings of control bits CLKS1 and CLKS0 (bits 5 and 4 in register 0BH). This occurs only during accesses to the external Translation RAM.

Microprocessor Interrupt Generation**Figure 51. Microprocessor Interrupt Timing**

Parameter	Symbol	Min	Typ	Max for V_{DDIO} of		Unit
				5 V	3.3 V	
INT/ \overline{IRQ} delay after PCLK \uparrow	$t_{D(1)}$	0.0		15	18	ns

CUBIT-Pro
TXC-05802B

DATA SHEET

TRANSWITCH®

MEMORY MAP

Address (Hex)	Mode*	Bit 7	Bit 6	Bit 5	Bit 4	Bit 3	Bit 2	Bit 1	Bit 0	
00	R	1	1	0	1	0	1	1	1	
01	R	1	1	0	0	0	0	0	0	
02	R	0	1	0	0	0	0	1	1	
03	R	0	0	0	1	0	0	0	1	
04	R	Mask Rev (0)	Mask Rev (0)	Mask Rev (0)	Mask Rev (1)	Reserved**				
05	RC	Reserved**				BIP-8	CBLOF	CBLORC	CBLOWC	
06	R/W	Reserved**				INTENA3	INTENA2	INTENA1	INTENA0	
07	W	Reserved**							RESET	
08	RC	CRCF	CRQOVF	CRQCAV	INSOC	CTSENT	NOGRT	Reserved**	OCOVF	
09	R/W	INTEN7	INTEN6	INTEN5	INTEN4	INTEN3	INTEN2	Reserved**	INTEN0	
0A	R/W	P1	P0	UNI	TRHENA	Reserved**		CTRDY	CRQSENT	
0B	R/W	Reserved**		CLKS1	CLKS0	LINEDIV(3-0)				
0C	R/W	ONLINE	TRHIZ	Reserved**			QM	GFCENA	IFECN	
0D	R/W	Reserved**							MRCIN	
0E	R/W	VRPS1	VRPS0	NOTIGN	CRC4I	CRC4EN	Reserved**	OAMRMEN	Reserved**	
0F	R/W	TIME(7-0)								
10	R/W	0/X	CBRLLEN(6-0)							
11	R/W	0/X	CBRLIMIT(6-0)							
12	R/W	0/X	VBRLIMIT(6-0)							
13	R/W	LBADDRL(7-0)								
14	R/W	Reserved**				LBADDRU(3-0)				
15	R/W	TRAL(7-0)								
16	R/W	TRAU(7-0)								
17	R/W	TRADATA(7-0)								

* R = Read-Only; W = Write-Only; RC = Read and Clear (individual bits remain set to 1 if their causative condition persists); R/W = Read/Write.

** Note: Reserved addresses should not be accessed by the microprocessor. Reserved bit positions within used addresses may contain random values; in writable addresses, these bits should be set to 0.



DATA SHEET

CUBIT-Pro
TXC-05802B

Address (Hex)	Mode*	Bit 7	Bit 6	Bit 5	Bit 4	Bit 3	Bit 2	Bit 1	Bit 0
18	Reg	DISCCTR(7-0)							
19	Reg	MRCCTR(7-0)							
1A	Reg	HECERCTR(7-0)							
1B	Reg	INCELLL(7-0) (Lower Byte)							
1C	Reg	INCELLM(7-0) (Middle Byte)							
1D	Reg	INCELLU(7-0) (Upper Byte)							
1E	R	16BMODE	32USER	MASTER	CUBIT-ID(4-0)				
1F	Reg	Reserved**							
20	R	MRCHEAD0(7-0)							
21	R	MRCHEAD1(7-0)							
22	R	MRCHEAD2(7-0)							
23	R	MRCHEAD3(7-0)							
24	R/W	Reserved**						TRAMSB(1-0)	
25-5F		Reserved**							
60	R	CRQ0(7-0)							
61-92	R	CRQ1(7-0) (61H) through CRQ50(7-0) (92H)							
93	R	CRQ51(7-0)							
94-9F		Reserved**							
A0	R/W	CTQ0(7-0)							
A1-D6	R/W	CTQ1(7-0) (A1H) through CTQ54(7-0) (D6H)							
D7	R/W	CTQ55(7-0)							
D8-DF		Reserved**							
E0	R/W	MCASTN00(7-0)							
E1-FE	R/W	MCASTN01(7-0) (E1H) through MCASTN1E(7-0) (FEH)							
FF	R/W	MCASTN1F(7-0)							

* R = Read-Only; R/W = Read/Write; Reg = Register.

** Note: Reserved addresses should not be accessed by the microprocessor. Reserved bit positions within used addresses may contain random values; in writable addresses, these bits should be set to 0.

CUBIT-Pro
TXC-05802B

DATA SHEET

TRANSWITCH®

MEMORY MAP DESCRIPTIONS

DEVICE DESCRIPTOR AND RESET BITS

Address *	Bit	Symbol	Description
00-02 03	7-0 3-0	DEVID	Device identification code (28 bits).
03	7-4		Version number.
04	7-4		Mask revision level.
	3-0	--	Reserved bits.
07	7-1	--	Reserved bits.
	0	RESET	When set to 1, this bit clears the counters DISCCTR, MRCCTR, HECERCTR and INCELL (L, M and U) in addresses 18H through 1DH. This bit clears to 0 automatically.

* All addresses in memory map description tables are hexadecimal. Reserved addresses are not listed.

STATUS AND INTERRUPT-ENABLE BITS

Address	Bit	Symbol	Description
05	7-4	--	Reserved bits.
	3	BIP-8	Bit is set to 1 when a BIP-8 error is detected in the receiver. It will generate a microprocessor interrupt if bit 3 (INTENA3) is set to one in the interrupt enable location at address 06H.
	2	CBLOF	Bit is set to 1 if the <i>CellBus</i> bus frame pulse is not present for two consecutive frame pulse times ($\overline{U32}$ = low) or four consecutive frame pulse times ($\overline{U32}$ = high).
	1	CBLORC	Bit is set to 1 if the <i>CellBus</i> bus read clock is not present for more than the equivalent of 32 PCLK cycles.
	0	CBLOWC	Bit is set to 1 if the <i>CellBus</i> bus write clock is not present for more than the equivalent of 32 PCLK cycles.
06	7-4	--	Reserved bits.
	3	INTENA3	Interrupt enabled for BIP-8, if = 1.
	2	INTENA2	Interrupt enabled for CBLOF, if = 1.
	1	INTENA1	Interrupt enabled for CBLORC, if = 1.
	0	INTENA0	Interrupt enabled for CBLOWC, if = 1.



DATA SHEET

CUBIT-Pro
TXC-05802B

Address	Bit	Symbol	Description
08	7	CRCF	Bit is set to 1 to indicate a CRC check error on cell from <i>CellBus</i> bus.
	6	CRQOVF	Bit is set to 1 to indicate loss of an incoming control cell, due to overflow of the internal 4-cell control cell receive queue.
	5	CRQCAV	Bit is set to 1 to indicate that a control cell is present in the control cell receive queue, CRQ.
	4	INSOC	Bit is set to 1 to indicate a cell inlet Start-of-Cell error occurrence.
	3	CTSENT	Bit is set to 1 to indicate that a control cell has been sent to the <i>CellBus</i> bus from the control cell transmit buffer.
	2	NOGRT	Bit is set to 1 to indicate that no bus access grant has been received by the inlet side, after a bus access request, within a time established by register TIME.
	1	--	Reserved bit.
	0	OCOVF	Bit is set to 1 to indicate a cell discarded due to overflow of outlet FIFO.
09	7	INTEN7	Interrupt enabled for CRCF, if = 1.
	6	INTEN6	Interrupt enabled for CRQOVF, if = 1.
	5	INTEN5	Interrupt enabled for CRQCAV, if = 1.
	4	INTEN4	Interrupt enabled for INSOC, if = 1.
	3	INTEN3	Interrupt enabled for CTSENT, if = 1.
	2	INTEN2	Interrupt enabled for NOGRT, if = 1.
	1	--	Reserved bit.
	0	INTEN0	Interrupt enabled for OCOVF, if = 1.
1E	7	16BMODE	Bit is set to 1 if $\overline{ABREN\bar{A}}$ is high. A 0 indicates that the CUBIT-Pro is operated in 16-Bit mode.
	6	32USER	Bit is set to 1 if $\overline{U32}$ is high. A 0 indicates that the CUBIT-Pro is operated in 32-user mode.
	5	MASTER	Bit is set to 1 if $\overline{ENAR\bar{B}}$ is high. A 0 indicates that the CUBIT-Pro is the master arbiter of the <i>CellBus</i> bus.
	4-0	CUBIT-ID (4-0)	Contains the address ID set at pins $\overline{UA(4-0)}$. These pin states are detected at power-up and if any of the $\overline{UA(4-0)}$ inputs change state. For example, CUBIT-ID is 1FH if the $\overline{UA(4-0)}$ pins are all high.

CUBIT-Pro
TXC-05802B

DATA SHEET

TRAN SWITCH®

DEVICE MODE CONTROL BITS

Address	Bit	Symbol	Description
0A	7, 6	P1, P0	Set bus access priority of this CUBIT-Pro device. Possible values are: high-priority, P1=1, P0=1; medium-priority, P1=1, P0=0; low-priority, P1=0, P0=1; no request, P1=0, P0=0.
	5	UNI	If = 1, UNI operation, VPI filled width = 8 bits. If = 0, NNI operation, VPI filled width = 12 bits.
	4	TRHENA	Enable insertion of Tandem Routing Header during address translation.
	3, 2	--	Reserved bits.
	1	CTRDY	Set to 1 by microprocessor to indicate that a control cell is ready to be sent. Cleared by CUBIT-Pro when cell has been sent.
	0	CRQSENT	Set to 1 by the microprocessor to indicate that a control cell has been read from the CUBIT-Pro's control cell receive buffer. Cleared to 0 automatically by CUBIT-Pro.
0B	7,6	--	Reserved bits.
	5	CLKS1	Clock source selection bit 1 for the cell inlet/outlet clock. This bit works in conjunction with CLKS0. The coding followed is: CLKS1, CLKS0 = 0,0: Cell interface clock = CellBus bus clock divided by 2^{LINEDIV} CLKS1, CLKS0 = 0,1: Cell interface clock = LCLOCK clock divided by 2^{LINEDIV} CLKS1, CLKS0 = 1,0: Cell interface clock = PCLK clock divided by 2^{LINEDIV} CLKS1, CLKS0 = 1,1: Reserved, do not use
	4	CLKS0	Clock source selection bit 0 for the cell inlet/outlet clock. This bit works in conjunction with CLKS1.
	3-0	LINEDIV (3-0)	Cell inlet clock frequency control. Frequency will be equal to the frequency of the selected clock source, divided by 2-to-the-power-LINEDIV.
0C	7	ONLINE	Operational status. If = 1, the CUBIT-Pro is on-line and all functions are operating. If = 0, the CUBIT-Pro is off-line. In off-line condition, no cells are accepted from the cell inlet, the interface outputs are tristated, and only control and loopback cells are accepted from the CellBus bus.
	6	TRHIZ	Translation RAM interface tristate bit. When set to 1 and the ONLINE bit is 0, the translation RAM interface is put in Hi-Z mode.
	5, 4, 3	--	Reserved bits.
	2	QM	Outlet cell queue structure. One single 123-cell queue if QM=0. Split queue (Control Data, CBR, VBR, ABR) if QM = 1.
	1	GFCENA	Enable insertion of the state of pins GFC(3-0) into the GFC field of outgoing cells if = 1. State of GFC(3-0) is sampled on the rising edge of COCLK that precedes the first byte of the ATM cell header (see Figure 44).
	0	IFECN	Enable insertion of FECN if = 1. The EFCI bit (middle bit of PT field) will be set =1 if the CBR or VBR FIFO length equals or exceeds the congestion limits, and IFECN = 1.



DATA SHEET

CUBIT-Pro
TXC-05802B

Address	Bit	Symbol	Description
0D	7-1	--	Reserved bits.
	0	MRCIN	Bit is set to 1 to indicate that a misrouted cell has been received. Cleared by a write operation.
0E	7	VRPS1	VCI Records per Page Selection bit 1. In conjunction with VRPS0, this bit selects the number of VCI records per page (VRP) to be either 256, 512, 1024 or 128. VRPS1,VRPS0= 0,0: VRP is 256 VRPS1,VRPS0= 0,1: VRP is 512 VRPS1,VRPS0= 1,0: VRP is 1024 VRPS1,VRPS0= 1,1: VRP is 128
	6	VRPS0	VCI Records per Page Selection bit 0. In conjunction with VRPS1, this bit selects the number of VCI records per page (VRP) to be either 256, 512, 1024 or 128.
	5	NOTIGN	Ignore translation record I-bit. When set to 1, connections marked as I-bit=1 in the translation records will be treated as if I-bit=0.
	4	CRC4I	CRC-4 calculation is inverted to produce an incorrect CRC-4 value for the <i>CellBus</i> Bus Routing Header. This bit is intended for test purposes.
	3	CRC4EN	When set to 1, this bit enables CUBIT-Pro to compute the CRC-4 field H3-H0 in the <i>CellBus</i> Bus Routing Header for all cells going into the cell inlet FIFO. If set to 0, then CRC-4 is computed only for loopback cells. The default at power-up is CRC4EN=0.
	2	--	Reserved bit.
	1	OAMRMEN	When set to 1, this bit enables the routing of OAM/RM and reserved VCs cells. If set to 0, the CUBIT-Pro TXC-05802B uses CUBIT TXC-05801 OAM routing. The default at power-up is OAMRMEN=0.
	0	--	Reserved bit.
0F	7-0	TIME	Time-out counter preset value for bus access watchdog timer. If timer expires after a request is made, and before a grant is received, alarm bit NOGRT is set. Each count represents one bus frame cycle.

OUTLET CELL FIFO SIZE AND LIMIT CONTROL REGISTERS

Address	Bit	Symbol	Description
10	6-0	CBRLLEN	Length, in cells, of the CBR section of the cell outlet FIFO. Valid values are zero through 89.
11	6-0	CBRLIMIT	Congestion size for CBR FIFO. FECN may be set if CBR FIFO length is greater than or equal to this value and IFECN = 1.
12	6-0	VBRLIMIT	Congestion size for VBR FIFO. FECN may be set if VBR FIFO length is greater than or equal to this value and IFECN = 1.

CUBIT-Pro
TXC-05802B

DATA SHEET

TRANSWITCH®

LOOPBACK CONTROL ADDRESS REGISTER

Address	Bit	Symbol	Description
13	7-0	LBADDRL	8 LSB of Loopback Routing Header, bits 11-4 of <i>CellBus</i> Bus Routing Header (see Figure 30).
14	7-4	--	Reserved bits.
	3-0	LBADDRU	4 MSB of Loopback Routing Header, bits 15-12 of <i>CellBus</i> Bus Routing Header (see Figure 30).

TRANSLATION RAM READ/WRITE CONTROL

Address	Bit	Symbol	Description
15	7-0	TRAL	8 LSB of the translation RAM address [pins TRA(7-0)].
16	7-0	TRAU	Middle 8 bits of the translation RAM address [pins TRA(15-8)].
17	7-0	TRADATA	Data read from, or to be written into, the translation RAM at the address defined by pins TRA(17-0) [pins TRD(7-0)].
24	7-2	--	Reserved bits.
	1-0	TRAMSB	2 MSB of the translation RAM address [pins TRA(17-16)]

DataSheet4U.com

COUNTERS AND MISROUTED CELL HEADERS

Address	Bit	Symbol	Description
18	7-0	DISCCTR	Count of cells discarded at input to outlet-side FIFO. See Note 1.
19	7-0	MRCCTR	Count of cell inlet mis-routed cells received. See Note 1.
1A	7-0	HECERCTR	Count of cells at cell inlet having a HEC error indication. See Note 1.
1B	7-0	INCELLL	Bits 7-0 (8 LSB) of count of incoming cells. See Note 1.
1C	7-0	INCELLM	Bits 15-8 of count of incoming cells. See Note 1.
1D	7-0	INCELLU	Bits 23-16 (8 MSB) of count of incoming cells. See Note 1.
20	7-0	MRCHEAD0	First (least significant) byte of the header of the first misrouted cell received after this buffer was last cleared. This least significant byte of the ATM cell corresponds to VCI[3-0] (LSB), PT and CLP of the ATM cell header.
21	7-0	MRCHEAD1	Second byte of above header.
22	7-0	MRCHEAD2	Third byte of above header.
23	7-0	MRCHEAD3	Fourth (most significant) byte of above header.

Note 1: These registers are reset to 00H by the RESET bit in address 07H, bit 0.



DATA SHEET

CUBIT-Pro
TXC-05802B
CONTROL CELL SEND AND RECEIVE QUEUES

Address	Bit	Symbol	Description
60-93	7-0	CRQi	Control cell receive buffer, 52 bytes (i = 0 - 51).
A0-D7	7-0	CTQi	Control cell transmit buffer, 56 bytes (i = 0 - 55).

MULTICAST NUMBER MEMORY

Address	Bit	Symbol	Description
E0	7-0	MCASTN00	Multicast session RX enable bits, channels 7-0 (relative address zero decimal, bits 7-0).
E1-FE	7-0	MCASTN01- MCASTN1E	Multicast session RX enable bits for channels 15-8, 23-16, . . . , 247-240 (relative addresses 1 to 30 decimal, bits 7-0).
FF	7-0	MCASTN1F	Multicast session RX enable bits, channels 255-248 (relative address 31 decimal, bits 7-0).

CUBIT-Pro
TXC-05802B

DATA SHEET

TRANSWITCH®

PACKAGE INFORMATION

The CUBIT-Pro device is available in a 208-pin plastic quad flat package (PQFP) suitable for surface mounting, as shown in Figure 52.

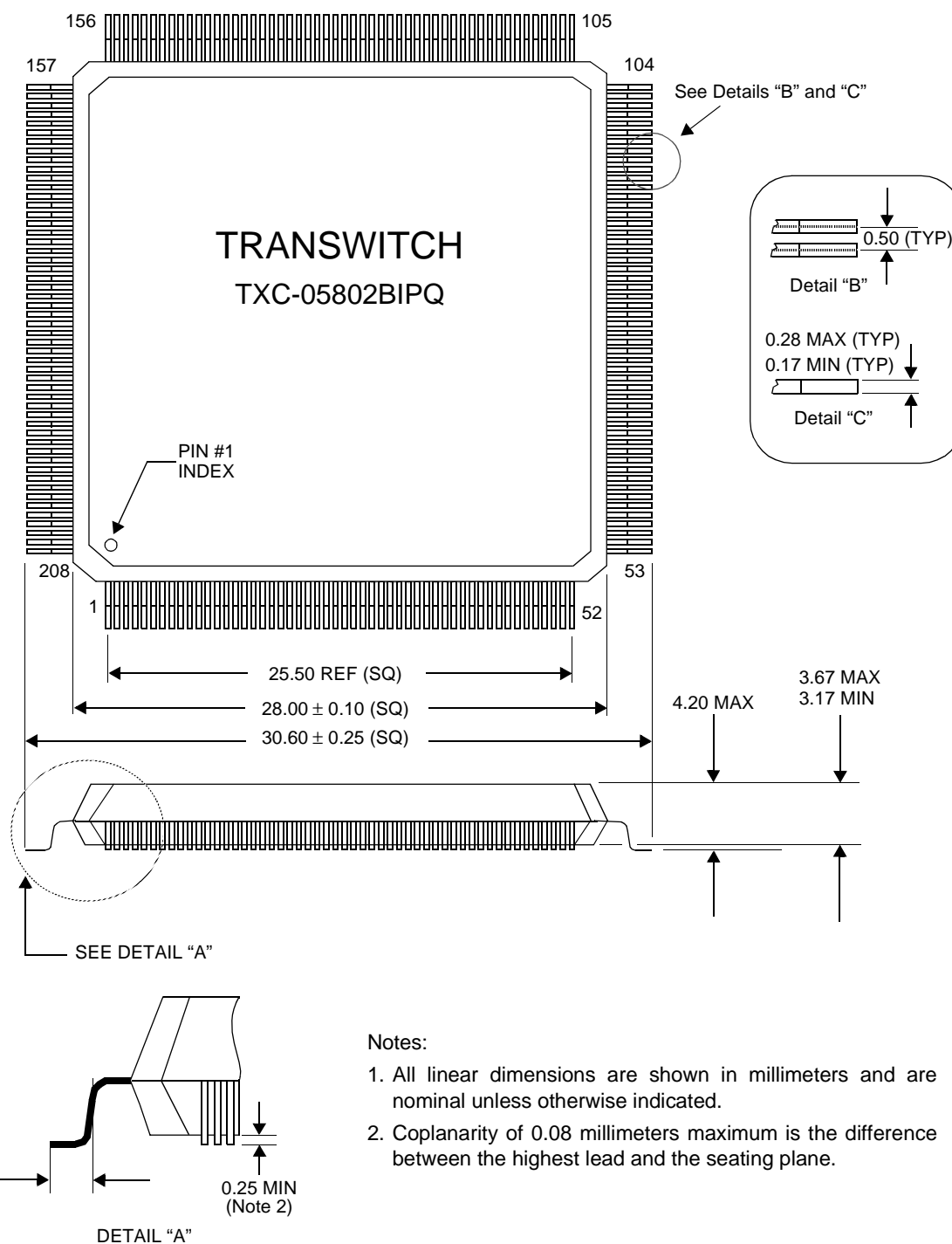


Figure 52. CUBIT-Pro TXC-05802B 208-Pin Plastic Quad Flat Package

ORDERING INFORMATION

Part Number: TXC-05802BIPQ

208-pin Plastic Quad Flat Package (PQFP)

RELATED PRODUCTS

Figure 53 illustrates typical applications of the CUBIT-Pro *CellBus* Bus Switch device in a generic architecture for ATM access switching. The other TranSwitch devices included in this diagram are briefly described below:

TXC-03003B, SOT-3 VLSI Device (STM-1, STS-3, STS-3c Overhead Terminator). This device performs all the functions for section, line and path overhead processing of STM-1, STS-3 or STS-3c signals, providing access to all overhead bytes. It performs pointer justification and payload tracking, alarm detection and generation, and performance monitoring.

TXC-03103, QT1F-Plus VLSI Device (Quad T1 Framer-Plus). A 4-channel DS1 (1.544 Mbit/s) framer designed with extended features for voice and data communications applications.

TXC-05150, CDB VLSI Device (Cell Delineation Block). Extracts/inserts ATM cells from/to DS1, DS3, E1, STS-1, STS-3c or STM-1 line interface signals. Serial, byte and nibble interfaces operate from 1.544 to 155.52 Mbit/s.

TXC-05501B and TXC-05601B, SARA-S and SARA-R VLSI Devices (Segmentation and Reassembly). A two-chip set for implementation of the ATM Adaptation Layers (AAL) 3, 4, and 5 at line rates from DS1 (1.544 Mbit/s) up to STS-3c/STM-1 (155.52 Mbit/s).

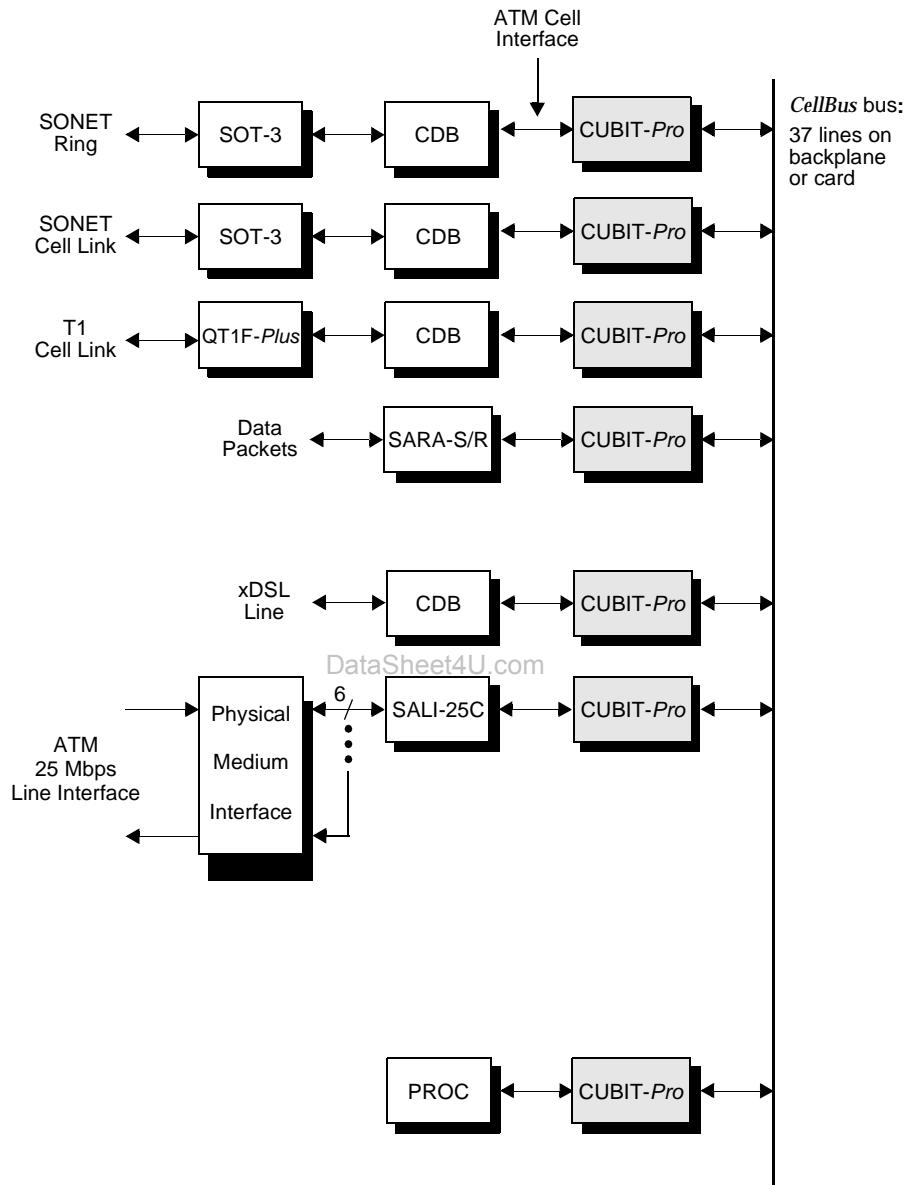
TXC-05801, CUBIT Device (ATM *CellBus* Bus Switch). Implements cost effective ATM multiplexing and switching systems, based on the 32-bit *CellBus* bus architecture. A single-chip solution, the CUBIT has the ability to send and also receive cells for control purposes over the same *CellBus* bus. *CellBus* bus technology works at aggregate rates of up to 1 gigabit per second and provides header translation, multiplexing, concentration and switching functions for a wide variety of small-to-medium size ATM systems. This device is not recommended for use in new designs, which should use CUBIT-Pro, TXC-05802B.

TXC-05804, CUBIT-3 VLSI Device (Multi-PHY *CellBus* Switch Access Device). A single-chip solution for implementing low-cost ATM multiplexing and switching systems, based on the *CellBus* architecture. Such systems are constructed from a number of CUBIT-3 devices, all interconnected by a 37-line common bus, the *CellBus*. CUBIT-3 supports unicast, broadcast and spatial multicast transfers, and has all necessary functions for implementing a switch: cell address translation, cell routing and outlet cell queuing. This device interfaces with CUBIT-Pro devices.

TXC-05810, ASPEN VLSI Device (*CellBus*[®] Access Processor). A revolutionary, RISC-based processor designed to support the requirements of next generation multi-service access systems. ASPEN supports *CellBus*[®] bus operation in both cell and packet modes via two independent *CellBus*[®] bus ports.

TXC-07625, SALI-25C VLSI Device (Six ATM Line Interface at 25 Mbit/s). Six channel 25.6 Mbit/s ATM transmission convergence function for twisted pair cable. Supports UTOPIA Level 1 and 2. Provides multicasting capability and 4 level priority queuing.

Figure 53. CUBIT-Pro TXC-05802B and Related Product Applications in ATM Access Switching



et4U.com

DataShee

STANDARDS DOCUMENTATION SOURCES

Telecommunication technical standards and reference documentation may be obtained from the following organizations:

ANSI (U.S.A.):

American National Standards Institute
11 West 42nd Street
New York, New York 10036

Tel: (212) 642-4900
Fax: (212) 302-1286
Web: www.ansi.org

The ATM Forum (U.S.A., Europe, Asia):

2570 West El Camino Real
Suite 304
Mountain View, CA 94040

Tel: (650) 949-6700
Fax: (650) 949-6705
Web: www.atmforum.com

ATM Forum Europe Office

Av. De Tervueren 402
1150 Brussels
Belgium

Tel: 2 761 66 77
Fax: 2 761 66 79

ATM Forum Asia-Pacific Office

Hamamatsu-cho Suzuki Building 3F
1-2-11, Hamamatsu-cho, Minato-ku
Tokyo 105-0013, Japan

Tel: 3 3438 3694
Fax: 3 3438 3698

Bellcore (See Telcordia)**CCITT** (See ITU-T)**EIA (U.S.A.):**

Electronic Industries Association
Global Engineering Documents
7730 Carondelet Avenue, Suite 407
Clayton, MO 63105-3329

Tel: (800) 854-7179 (within U.S.A.)
Tel: (314) 726-0444 (outside U.S.A.)
Fax: (314) 726-6418
Web: www.global.ihs.com

ETSI (Europe):

European Telecommunications Standards Institute
650 route des Lucioles
06921 Sophia Antipolis Cedex
France

Tel: 4 92 94 42 22
Fax: 4 92 94 43 33
Web: www.etsi.org

CUBIT-Pro
TXC-05802B**DATA SHEET****TRANSWITCH®****GO-MVIP (U.S.A.):**The Global Organization for Multi-Vendor Integration
Protocol (GO-MVIP)3220 N Street NW, Suite 360
Washington, DC 20007

Tel: (800) 669-6857 (within U.S.A.)

Tel: (903) 769-3717 (outside U.S.A.)

Fax: (508) 650-1375

Web: www.mvip.org**ITU-T (International):**Publication Services of International Telecommunication
Union

Telecommunication Standardization Sector

Place des Nations, CH 1211

Geneve 20, Switzerland

Tel: 22 730 5111

Fax: 22 733 7256

Web: www.itu.int**MIL-STD (U.S.A.):**DODSSP Standardization Documents Ordering Desk
Building 4 / Section D

700 Robbins Avenue

Philadelphia, PA 19111-5094

Tel: (215) 697-2179

Fax: (215) 697-1462

Web: www.dodssp.daps.mil**PCI SIG (U.S.A.):**PCI Special Interest Group
2575 NE Kathryn Street #17
Hillsboro, OR 97124

DataSheet4U.com

Tel: (800) 433-5177 (within U.S.A.)

Tel: (503) 693-6232 (outside U.S.A.)

Fax: (503) 693-8344

Web: www.pcisig.com**Telcordia (U.S.A.):**Telcordia Technologies, Inc.
Attention - Customer Service
8 Corporate Place
Piscataway, NJ 08854

Tel: (800) 521-CORE (within U.S.A.)

Tel: (908) 699-5800 (outside U.S.A.)

Fax: (908) 336-2559

Web: www.telcordia.com**TTC (Japan):**TTC Standard Publishing Group of the
Telecommunications Technology Committee2nd Floor, Hamamatsu-cho Suzuki Building,
1 2-11, Hamamatsu-cho, Minato-ku, Tokyo

Tel: 3 3432 1551

Fax: 3 3432 1553

Web: www.ttc.or.jp



LIST OF DATA SHEET CHANGES

This list of changes identifies areas within this updated CUBIT-Pro TXC-05802B Data Sheet that have significant differences relative to the previous, and now superseded, CUBIT-Pro TXC-05802B Data Sheet:

Updated CUBIT-Pro TXC-05802B Data Sheet: Edition 3, February 2001

Previous CUBIT-Pro TXC-05802B Data Sheet: Edition 2, November 1999

Most of these changes are related to the addition of the option for single-supply +3.3 volt operation.

The page numbers indicated below of this updated Data Sheet include changes relative to the previous Data Sheet.

<u>Page Number of Updated Data Sheet</u>	<u>Summary of the Change</u>
All	Added TranSwitch document proprietary markings. Changed edition number and date.
All	Changed the pin symbol 'V _{DD5} ' to 'V _{DDIO} ' throughout document.
1	Modified the next to last bullet item of Features list. Added last sentence in second paragraph under Description section.
2-4	Updated Table of Contents and List of Figures.
26	Added second sentence to first paragraph under leading 'OAM/RM Routing Mode Bits (C1, C0)'.
34	Modified the Note on bottom of page.
39	Added last two sentences in Note 5.
41	Modified Name/Function column for Symbols VDDIO and VDDBOOT.
46	Added 'See Note 1' in Name/Function column for Symbol $\overline{\text{RESET}}$. Added Note 1 at the bottom of page.
47	Added Note 4. Modified Conditions column for Symbol ESD and replaced '±' with 'absolute value' for Min and Max column as well as beginning of sentence in Note 3. Made extensive changes to 'Power Requirements' table for the Single-supply option.
48	Made extensive changes to Test Conditions column for first, second and third tables.
49	Made extensive changes to Test Conditions column for first and last tables.
50	Made extensive changes to Test Conditions column for all three tables.
52-63	Changed table cell heading 'Max' to 'Max for V _{DDIO} of' and added new columns for 'Max for V _{DDIO} of' value 3.3 V for tables in Figures 32-43.
67-71	Changed table cell heading 'Max' to 'Max for V _{DDIO} of' and added new columns for 'Max for V _{DDIO} of' value 3.3 V for tables in Figures 47-51.
81	Updated 'Related Products' section to include CUBIT-3, TXC-05804 and ASPEN, TXC-05810 devices.
82	Deleted SARA-Lite from Figure 53.

**Page Number of
Updated Data Sheet**

Summary of the Change

83	Updated 'Standard Documentation Sources' section.
85-86	Replaced 'List of Data Sheet Changes' section.
89	Updated 'Documentation Update Registration Form' section.



- NOTES -

et4U.com

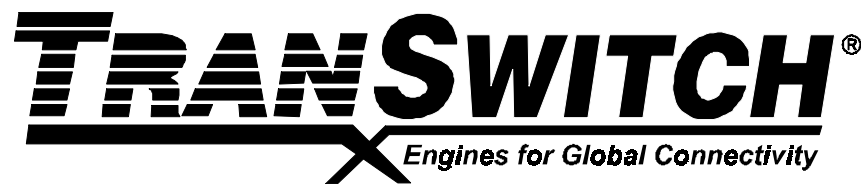
DataShee

DataSheet4U.com

TranSwitch reserves the right to make changes to the product(s) or circuit(s) described herein without notice. No liability is assumed as a result of their use or application. TranSwitch assumes no liability for TranSwitch applications assistance, customer product design, software performance, or infringement of patents or services described herein. Nor does TranSwitch warrant or represent that any license, either express or implied, is granted under any patent right, copyright, mask work right, or other intellectual property right of TranSwitch covering or relating to any combination, machine, or process in which such semiconductor products or services might be or are used.

DataSheet4U.co

www.DataSheet4U.com



et4U.com

DataShee

DataSheet4U.com

DataSheet4U.com

www.DataSheet4U.com



DATA SHEET

CUBIT-Pro
TXC-05802B
DOCUMENTATION UPDATE REGISTRATION FORM

If you would like to receive updated documentation for selected devices as it becomes available, please provide the information requested below (print clearly or type) then tear out this page, fold and mail it to the Marketing Communications Department at TranSwitch. Marketing Communications will ensure that the relevant Product Information Sheets, Data Sheets, Application Notes, Technical Bulletins and other publications are sent to you. You may also choose to provide the same information by fax (**203.926.9453**), or by e-mail (**info@txc.com**), or by telephone (**203.929.8810**). Most of these documents will also be made immediately available for direct download as Adobe PDF files from the TranSwitch World Wide Web Site (**www.transwitch.com**).

Name: _____

Company: _____ Title: _____

Dept./Mailstop: _____

Street: _____

City/State/Zip: _____

If located outside U.S.A., please add - Country: _____ Postal Code: _____

Telephone: _____ Ext.: _____ Fax: _____

E-mail: _____

Please provide the following details for the managers in charge of the following departments at your company location.

<u>Department</u>	<u>Title</u>	<u>Name</u>
Company/Division	_____	_____
Engineering	_____	_____
Marketing	_____	_____

Please describe briefly your intended application(s) and indicate whether you would like to have a TranSwitch applications engineer contact you to provide further assistance:

If you are also interested in receiving updated documentation for other TranSwitch device types, please list them below rather than submitting separate registration forms:

Please fold, tape and mail this page (see other side) or fax it to Marketing Communications at 203.926.9453.



(Fold back on this line second, then tape closed, stamp and mail.)



3 Enterprise Drive
Shelton, CT 06484-4694

First
Class
Postage
Required

et4U.com

TranSwitch Corporation
Attention: Marketing Communications Dept.
3 Enterprise Drive

(Fold back on this line first.)

Please complete the registration form on this back cover sheet, and mail or fax it, if you wish to receive updated documentation on selected TranSwitch products as it becomes available.