

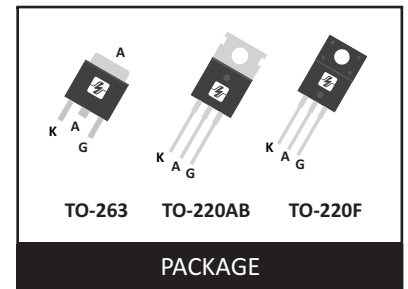
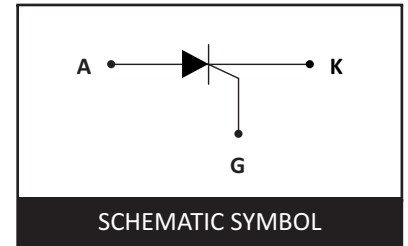
25A SERIES STANDARD SILICON CONTROLLED RECTIFIERS

DESCRIPTION

The TYN825 SCR is suitable to fit modes of control found in applications such as voltage regulation circuits for motorbikes, over-voltage crowbar protection, motor control circuits in power tools and kitchen aids, inrush current limiting circuits, capacitive discharge ignition. The insulated fullpack package allows a back to back configuration.

FEATURES

- Repetitive Peak Off-State Voltage : 800V
- R.M.S On-State Current ($I_{T(RMS)} = 25\text{ A}$)
- Low On-State Voltage (1.7V(Max.)@ I_{TM})
- RoHS Compliant



ABSOLUTE MAXIMUM RATINGS ($T_J = 25^\circ\text{C}$ UNLESS OTHERWISE SPECIFIED)

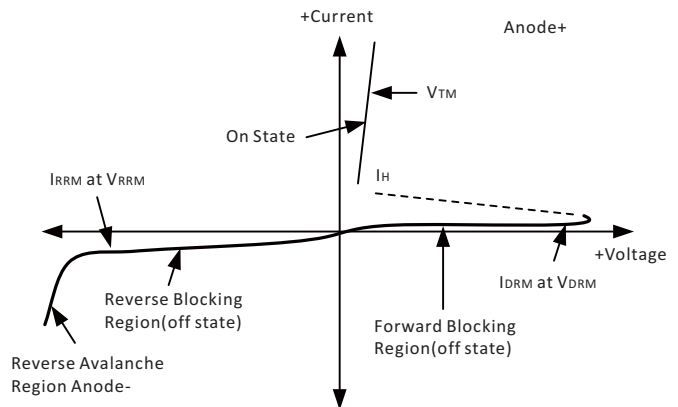
Symbol	Parameter		Value	Unit	
V_{DRM}	Repetitive Peak off -State Voltage		800	V	
V_{RRM}	Repetitive Peak Reverse Voltage		800	V	
$I_{T(RMS)}$	RMS on-state current	$T_c = 109^\circ\text{C}$	25	A	
$I_{T(AV)}$	Average on-state current		$T_c = 109^\circ\text{C}$	16	A
I_{TSM}	Non repetitive surge peak on-state current	$t_p = 8.3\text{ ms}$	$T_j = 25^\circ\text{C}$	300	A
		$t_p = 10\text{ ms}$		314	
I^2t	I^2t Value for fusing	$t_p = 10\text{ ms}$	$T_j = 25^\circ\text{C}$	450	A^2S
di/dt	Critical rate of rise of on-state current $I_G = 2 \times I_{GT}$, $t_r \leq 100\text{ ns}$	$F = 60\text{ Hz}$	$T_j = 125^\circ\text{C}$	50	$\text{A}/\mu\text{s}$
I_{GM}	Peak gate current	$t_p = 20\ \mu\text{s}$	$T_j = 125^\circ\text{C}$	4	A
$P_{G(AV)}$	Average gate power dissipation		$T_j = 125^\circ\text{C}$	1.0	W
T_{stg}	Storage junction temperature range		- 40 to + 150	°C	
T_j	Operating junction temperature range		- 40 to + 125		

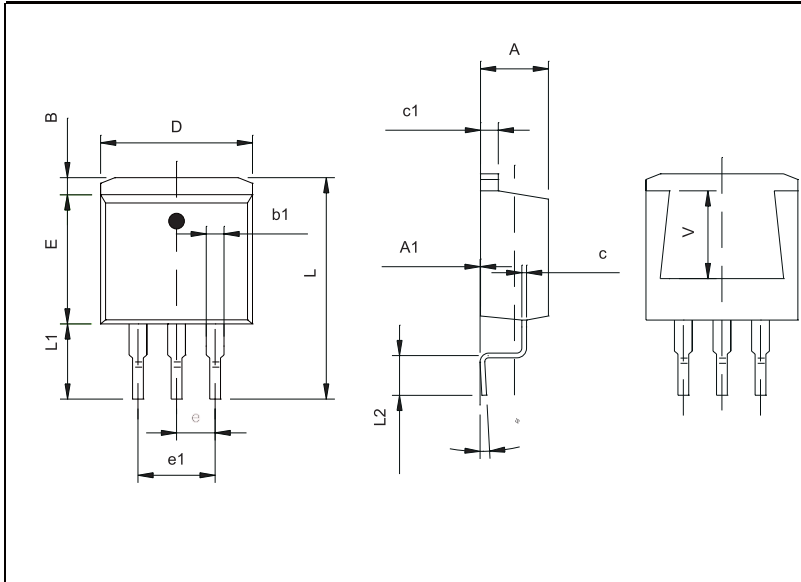
ELECTRICAL CHARACTERISTICS (TC = 25 °C UNLESS OTHERWISE NOTED)

Symbol	Test Conditions		Min.	Typ.	Max.	Unit
I_{GT}	$V_D = 12\text{ V } R_L = 30\text{ohm}$		3	-	25	mA
V_{GT}			-	-	1.3	V
V_{GD}	$V_D = V_{DRM} \quad R_{GK} = 1.0\text{ kohm}$	$T_j = 125^\circ\text{C}$	0.2	-	-	V
I_H	$I_T = 500\text{ mA}$		-	-	40	mA
I_L	$I_G = 1.2 I_{GT}$		-	-	60	mA
dv/dt	$V_D = 67\% V_{DRM}$ Gate open	$T_j = 125^\circ\text{C}$	500	-	-	V/ μs
V_{TM}	$I_{TM} = 30\text{ A } t_p = 380\text{ }\mu\text{s}$	$T_j = 25^\circ\text{C}$	-	-	1.6	V
I_{DRM}	$V_D = V_{DRM} \quad V_R = V_{RRM}$		-	-	5.0	μA
I_{RRM}			$T_j = 125^\circ\text{C}$	-	-	2.0

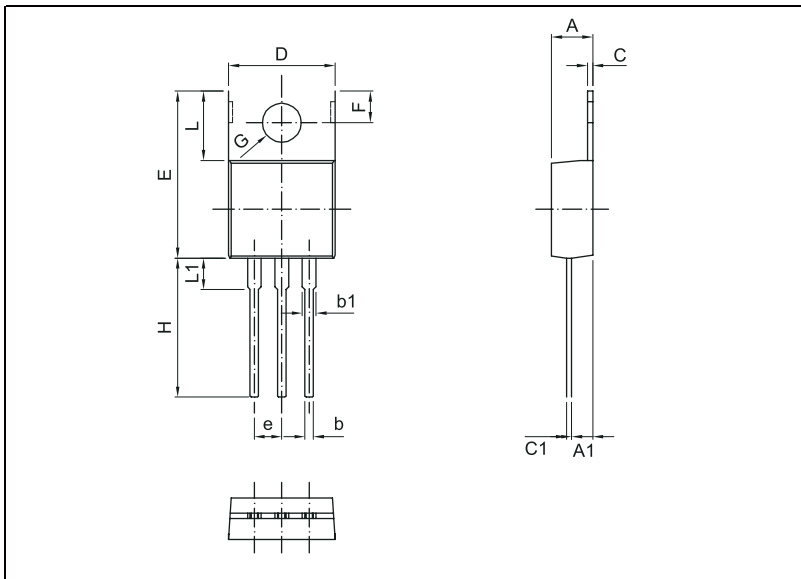
VOLTAGE CURRENT CHARACTERISTIC OF SCR

PARAMETER	SYMBOL
Peak Repetitive OffStat Forward Voltage	V_{DRM}
Peak Forward Blocking Current	I_{DRM}
Peak Repetitive OffState Reverse Voltage	V_{RRM}
Peak Reverse Blocking Current	I_{RRM}
Peak OnState Voltage	V_{TM}
HoldingCurrent	I_H



PACKAGE MECHANICAL DATA
TO-263


Symbol	Millimeters		Inches	
	Min.	Max.	Min.	Max.
A	4.47	4.67	0.176	0.184
A1	0	0.15	0	0.006
B	1.12	1.42	0.044	0.056
b	0.71	0.91	0.028	0.036
b1	1.17	1.37	0.046	0.054
c	0.31	0.53	0.012	0.021
c1	1.17	1.37	0.046	0.054
D	10.01	10.31	0.394	0.406
E	8.5	8.9	0.335	0.350
e	2.54Typ		0.10Typ	
e1	4.98	5.18	0.196	0.204
L	14.94	15.5	0.588	0.610
L1	4.95	5.45	0.195	0.215
L2	2.34	2.74	0.092	0.108
F	0°	8°	0°	8°
V	5.60Ref.		0.22 Ref.	

TO-220AB


Symbol	Millimeters		Inches	
	Min.	Max.	Min.	Max.
A	3.56	4.83	0.140	0.190
A1	2.03	2.92	0.080	0.115
b	0.38	1.02	0.015	0.040
b1	1.14	1.78	0.045	0.070
C	0.51	1.40	0.020	0.055
C1	0.36	0.61	0.014	0.024
D	9.65	10.67	0.380	0.420
E	14.22	16.51	0.560	0.650
e	2.54BSC		0.10BSC	
F	2.54	3.05	0.100	0.120
G	3.53	3.90	0.139	0.154
H	12.70	14.73	0.500	0.580
L	5.84	6.86	0.230	0.270
L1	-	6.35	-	0.250

TO-220F

Symbol	Millimeters		Inches	
	Min.	Max.	Min.	Max.
A	4.40	4.60	0.173	0.181
A1	2.60	2.80	0.102	0.110
A2	2.45	2.55	0.096	0.100
b	0.50	0.75	0.020	0.030
b1	1.10	1.40	0.043	0.055
C	0.50	0.70	0.020	0.028
D	9.70	10.30	0.382	0.406
E	14.70	15.30	0.579	0.602
e	2.54TYP		0.10TYP	
e1	4.88	5.28	0.192	0.208
H	27.40	28.60	1.079	1.126
L	2.50	3.00	0.098	0.118
L1	6.70	6.90	0.264	0.272
L2	3.60	3.80	0.142	0.150

CONTACT US

Headquarters
 A Building Caohejing I&E Park
 Pujiang Minhang Shanghai
 China

Web
<http://www.semiwill.com>

By Telephone
 General: 86-21-34637654
 Sales: 86-21-34637458
 Customer Service: 86-21-34637172

By Email
 Sales: sales@semiwill.com
 Customer Service: cs@semiwill.com
 Technical Support: fae@semiwill.com

By Fax
 General: 86-21-34637173
 Sales: 86-21-39650654

COPYRIGHT ©SEMIWILL 2009 - This literature is subject to all applicable copyright laws and is not for resale in any manner.

SPECIFICATIONS: SEMIWILL reserves the right to change the electrical and or mechanical characteristics described herein without notice.

DESIGN CHANGES: SEMIWILL reserves the right to discontinue product lines without notice and that the final judgement concerning selection and specifications is the buyer's and that in furnishing engineering and technical assistance. SEMIWILL assumes no responsibility with respect to the selection or specifications of such products. SEMIWILL makes no warranty, representation or guarantee regarding the suitability of its products for any particular purpose, nor does SEMIWILL assume any liability arising out of the application or use of any product or circuit and specifically disclaims any and all liability without limitation special, consequential or incidental damages.

LIFE SUPPORT POLICY: SEMIWILL products are not authorized for use in life support systems without written consent from the factory.