

DATA SHEET

TZA3014

2.5 Gbits/s postamplifier with level detector

Product specification
Supersedes data of 2000 Aug 09
File under Integrated Circuits, IC19

2001 Jun 25

2.5 Gbits/s postamplifier with level detector

TZA3014

FEATURES

- Single 3.3 V power supply
- Wideband operation from 50 kHz to 2.5 GHz (typical value)
- Fully differential
- On-chip DC-offset compensation without external capacitor
- Interfacing with supplied positive or negative logic
- Positive Emitter Coupled Logic (PECL) or Current-Mode Logic (CML) compatible data outputs adjustable from 200 to 800 mV (p-p) single-ended
- Power-down capability for unused output or detector
- Rise and fall times of 80 ps (typical value)
- Inverted output possible
- Input level detection circuit for Received Signal Strength Indicator (RSSI) and Loss Of Signal (LOS), programmable from 0.4 to 400 mV (p-p) single-ended, with open-drain comparator output for directly interfacing positive or negative logic
- Reference voltage for output level and LOS adjustment
- HTQFP32 and HBCC32 plastic packages with exposed pad
- Mute input.

APPLICATIONS

- Postamplifier for SDH/SONET transponder
- SDH/SONET wavelength converter
- PECL driver
- Fibre channel arbitrated loop
- Signal level detectors
- Swing converter CML 200 mV (p-p) to PECL 800 mV (p-p)
- 2.5 GHz clock amplification.

GENERAL DESCRIPTION

The TZA3014 is a low gain postamplifier with a LOS detector and a RSSI designed for use in critical signal path control applications, such as loop-through or Wavelength Division Multiplexing (WDM). The signal path is capable of operating from 50 kHz up to 2.5 GHz.

The TZA3014 can be delivered in HTQFP32 and HBCC32 packages and as bare die.

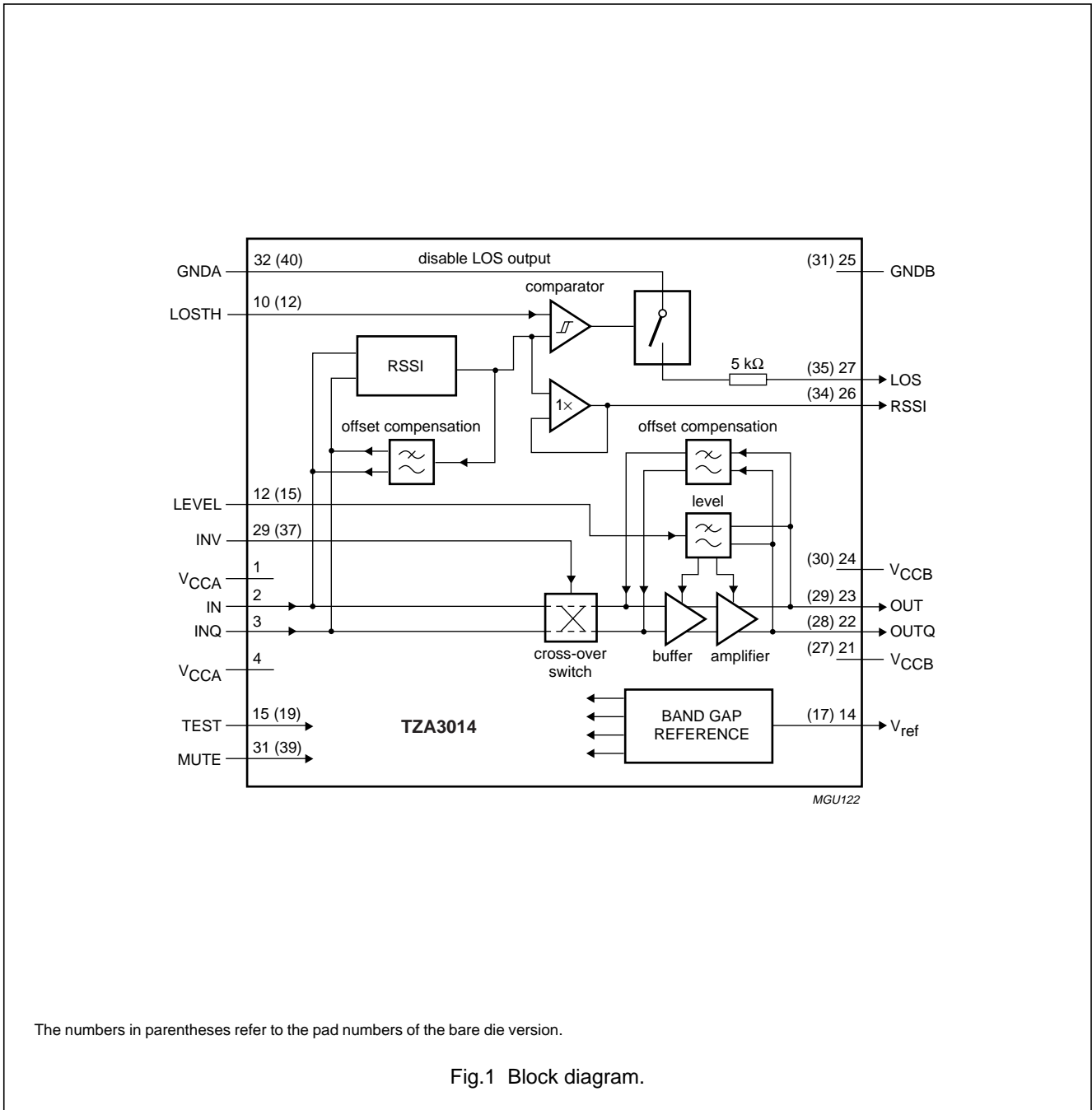
ORDERING INFORMATION

| TYPE NUMBER | PACKAGE | | |
|-------------|---------|---|----------|
| | NAME | DESCRIPTION | VERSION |
| TZA3014HT | HTQFP32 | plastic, heatsink thin quad flat package; 32 leads; body 5 × 5 × 1.0 mm | SOT547-2 |
| TZA3014VH | HBCC32 | plastic, heatsink bottom chip carrier; 32 terminals; body 5 × 5 × 0.65 mm | SOT560-1 |
| TZA3014U | – | bare die; 2.22 × 2.22 × 0.28 mm | – |

2.5 Gbits/s postamplifier with level detector

TZA3014

BLOCK DIAGRAM



2.5 Gbits/s postamplifier with level detector

TZA3014

PINNING

| SYMBOL | PIN | PAD | TYPE ⁽¹⁾ | DESCRIPTION |
|------------------|-----|-----|---------------------|---|
| V _{CCA} | 1 | 1 | S | supply voltage for input and LOS detector |
| IN | 2 | 2 | I | differential input; complimentary to pin INQ; DC bias level is set internally at approximately V _{CC} – 0.33 V |
| INQ | 3 | 3 | I | differential input; complimentary to pin IN; DC bias level is set internally at approximately V _{CC} – 0.33 V |
| V _{CCA} | 4 | 4 | S | supply voltage for input and LOS detector |
| n.c. | – | 5 | – | not connected |
| n.c. | – | 6 | – | not connected |
| n.c. | 5 | 7 | – | not connected |
| n.c. | 6 | 8 | I | not connected |
| n.c. | 7 | 9 | I | not connected |
| n.c. | 8 | 10 | S | not connected |
| n.c. | 9 | 11 | S | not connected |
| LOSTH | 10 | 12 | I | input for setting threshold level of LOS detector; threshold level is set by connecting external resistors between pins V _{CCA} and V _{ref} ; when forced to GNDA or not connected, the LOS detector is switched off |
| n.c. | 11 | 13 | I | not connected |
| n.c. | – | 14 | – | not connected |
| LEVEL | 12 | 15 | I | input for setting AC level of the output circuit; output signal level is set by connecting external resistors between pins V _{CCA} and V _{ref} ; when forced to V _{CCA} or not connected, pins OUT and OUTQ will be switched off |
| n.c. | 13 | 16 | I | not connected |
| V _{ref} | 14 | 17 | O | reference voltage for programming output level circuit and LOS threshold; typical value is V _{CC} – 1.6 V; no external capacitor allowed |
| n.c. | – | 18 | – | not connected |
| TEST | 15 | 19 | I | for test purposes only; to be left open-circuit in the application |
| n.c. | 16 | 20 | S | not connected |
| n.c. | 17 | 21 | S | not connected |
| n.c. | 18 | 22 | O | not connected |
| n.c. | 19 | 23 | O | not connected |
| n.c. | 20 | 24 | S | not connected |
| n.c. | – | 25 | – | not connected |
| n.c. | – | 26 | – | not connected |
| V _{CCB} | 21 | 27 | S | supply voltage for output circuit |
| OUTQ | 22 | 28 | O | PECL or CML compatible differential output; complimentary to pin OUT |
| OUT | 23 | 29 | O | PECL or CML compatible differential output; complimentary to pin OUTQ |
| V _{CCB} | 24 | 30 | S | supply voltage for output circuit |
| GNDB | 25 | 31 | S | ground for output circuit |
| n.c. | – | 32 | O | not connected |
| n.c. | – | 33 | O-DRN | not connected |

2.5 Gbits/s postamplifier with level detector

TZA3014

| SYMBOL | PIN | PAD | TYPE ⁽¹⁾ | DESCRIPTION |
|--------|-----|-----|---------------------|---|
| RSSI | 26 | 34 | O | RSSI output |
| LOS | 27 | 35 | O-DRN | output of LOS detector; direct drive to either positive or negative supplied logic via internal 5 kΩ resistor |
| n.c. | 28 | 36 | TTL | not connected |
| INV | 29 | 37 | TTL | input to invert the signal at pins OUT and OUTQ; supports positive or negative logic |
| n.c. | 30 | 38 | TTL | not connected |
| MUTE | 31 | 39 | TTL | input to mute the output signal on pins OUT ('0') and OUTQ ('1'); supports positive or negative logic |
| GNDA | 32 | 40 | S | ground for input and LOS detector |
| GNDp | pad | - | S | ground pad (exposed die pad) |

Note

1. Pin type abbreviations: O = output, I = input, S = power supply, TTL = logic input and O-DRN = open-drain output.

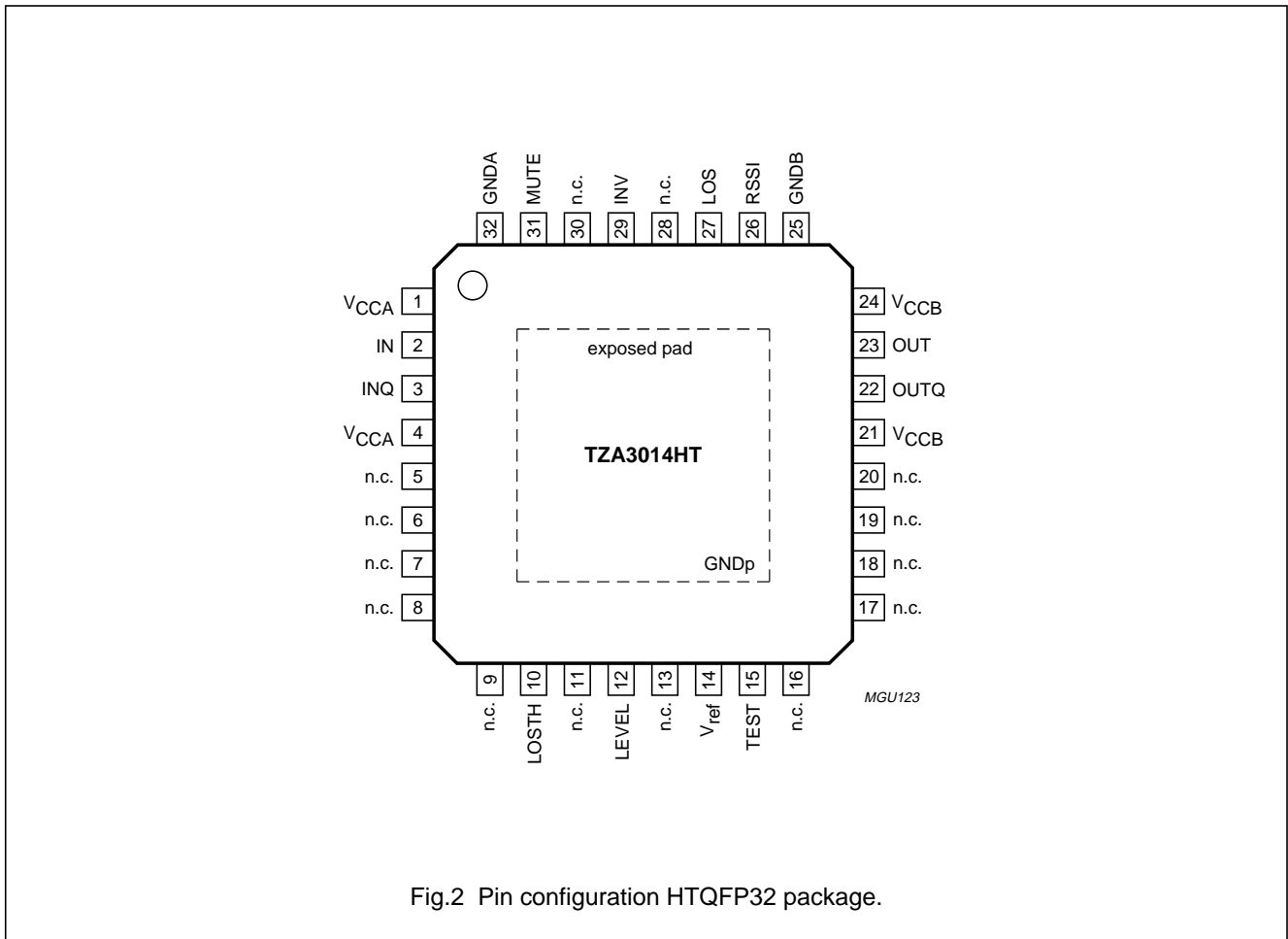


Fig.2 Pin configuration HTQFP32 package.

2.5 Gbits/s postamplifier with level detector

TZA3014

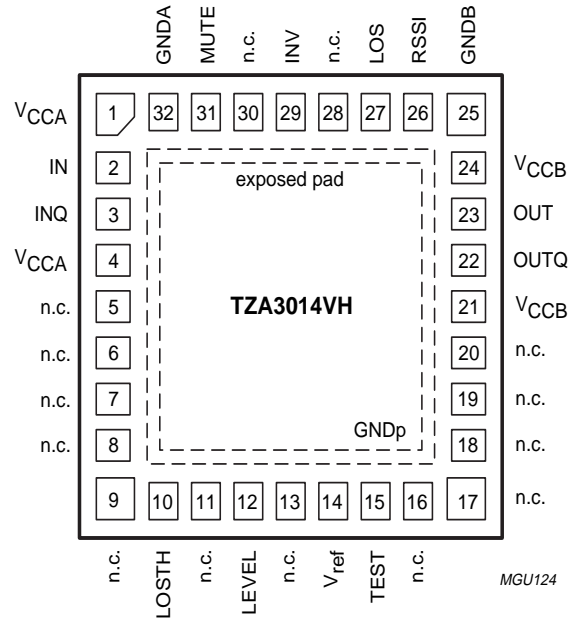


Fig.3 Pin configuration HBCC32 package.

2.5 Gbits/s postamplifier with level detector

TZA3014

FUNCTIONAL DESCRIPTION

The TZA3014 is a postamplifier with a RSSI circuit to provide output signals for RSSI and LOS (see Fig.1). The input signal can be amplified to a programmable level. An active level control circuit ensures this level. The control voltage on pin INV inverts the outputs, so avoiding a required complicated Printed Circuit Board (PCB) layout. An offset compensation circuit minimizes the effect of any voltage offset present at the input.

The RSSI and LOS detector are based on a 7-stage 'successive detection' circuit which provides a logarithmic output. The LOS detector is followed by a comparator with a programmable threshold. The input signal level detection is implemented to check if the input signal is above the user-programmed level. The user can ensure that data will only be transmitted when the input signal-to-noise ratio is sufficient for low bit error rate system operation. A second offset compensation circuit minimizes the effect of any voltage offset present in the logarithmic amplifier.

RF input circuit

The input circuit contains internal $50\ \Omega$ resistors decoupled to V_{CCA} via an internal common mode $12\ \text{pF}$ capacitor (see Fig.4).

The inputs IN and INQ are DC-biased at approximately $V_{CCA} - 0.33\ \text{V}$ by an internal reference generator. The TZA3014 can be DC-coupled, but AC coupling is preferred. When DC-coupled, the drive source must operate within the allowable input range ($V_{CCA} - 1.0\ \text{V}$ to $V_{CCA} + 0.3\ \text{V}$). The DC-offset voltage should stay below a few millivolts since the internal DC-offset compensation circuit has a limited correction range. When AC-coupled, do not use capacitors that cause a 3 dB cut-off point at 50 kHz (postamplifier cut-off point) or at 1 MHz (RSSI cut-off point).

RF output circuit

Matching the outputs of the postamplifier (see Fig.5) is not mandatory. In most applications, the receiving end of the transmission line will be properly matched, causing very few reflections.

Matching the transmitting end of the transmission line to absorb reflections only, is recommended for very sensitive applications.

In such cases, $100\ \Omega$ pull-up resistors should be connected to V_{CCB} and pins OUT and OUTQ as close as possible to the IC. However, for most applications these matching resistors are not required.

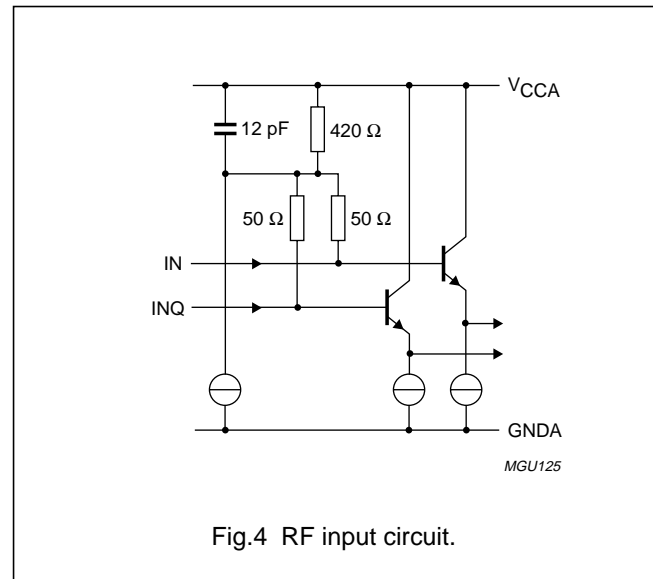


Fig.4 RF input circuit.

RF output level adjustment

The output level can be made compatible with CML or PECL by adjusting the voltage on pin LEVEL. The DC voltages on pins OUT and OUTQ relate to the DC voltage on pin LEVEL. Due to the effect of the $50\ \Omega$ load resistance at the receiving end, for a given peak-to-peak value on pins OUT and OUTQ, a different voltage is required on pin LEVEL in case the output is AC-coupled and when the output is DC-coupled (see Figs 5 and 6).

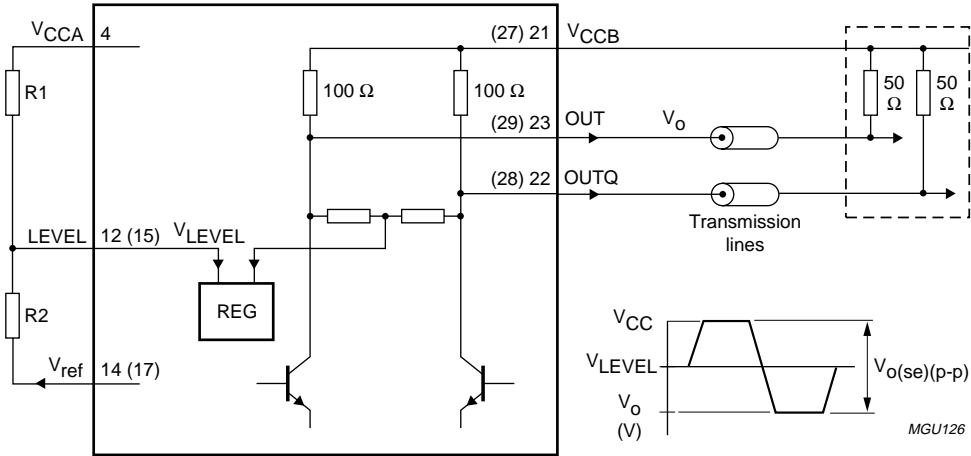
When pin LEVEL is not connected or connected to V_{CCA} , the postamplifier is in power-down state (see Fig.5).

DC-offset compensation loop

A DC-offset compensation loop connected between the amplifier output and the buffer input maintains the toggle point at the buffer input when there is no input signal (see Fig.1). This active control circuit is integrated and does not require an external capacitor. The loop time constant determines the lower cut-off frequency of the amplifier chain, and is internally fixed at approximately 5 kHz.

2.5 Gbits/s postamplifier with level detector

TZA3014



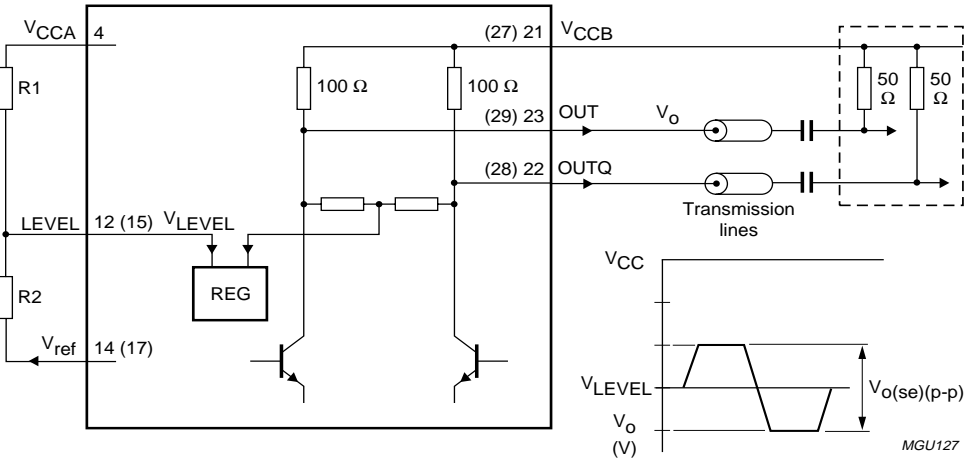
$$V_{LEVEL} = 0.5 \times V_{o(se)(p-p)}$$

$$V_{LEVEL} = V_{ref} \times \frac{R1}{R1 + R2}$$

$V_{LEVEL} = V_{CC}$ for power-down mode.

The numbers in parentheses refer to the pad numbers of the bare die version.

a. DC-coupled.



$$V_{LEVEL} = 1.5 \times V_{o(se)(p-p)}$$

$$V_{LEVEL} = V_{ref} \times \frac{R1}{R1 + R2}$$

$V_{LEVEL} = V_{CC}$ for power-down mode.

The numbers in parentheses refer to the pad numbers of the bare die version.

b. AC-coupled.

Fig.5 RF output configurations.

2.5 Gbits/s postamplifier with level detector

TZA3014

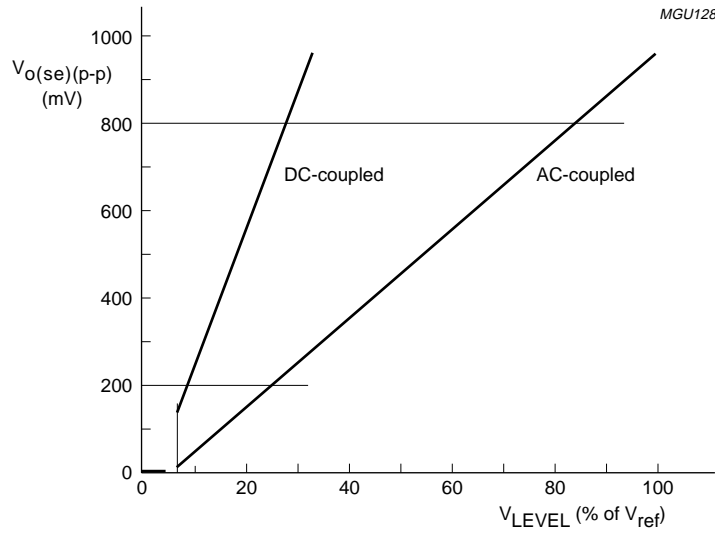


Fig.6 Output signal as a function of V_{LEVEL} .

TTL logic inputs MUTE and INV

It should be noted that switch control voltages in positive logic are inverted in case a negative supply voltage is used (see Fig.7).

Output signal as a function of inputs MUTE and INV

The default logic level for inputs MUTE and INV is 0 in case these pins are not connected. See Tables 1 and 2.

Table 1 OUT and OUTQ as a function of input MUTE

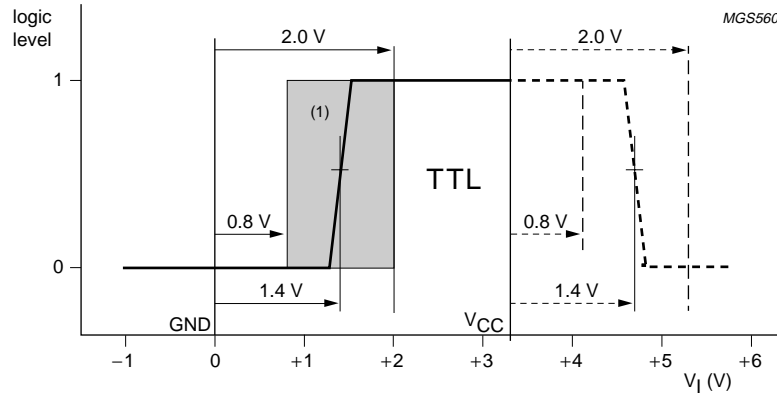
| MUTE | OUT | OUTQ |
|------|-----|------|
| 0 | IN | INQ |
| 1 | '0' | '1' |

Table 2 OUT and OUTQ as a function of input INV

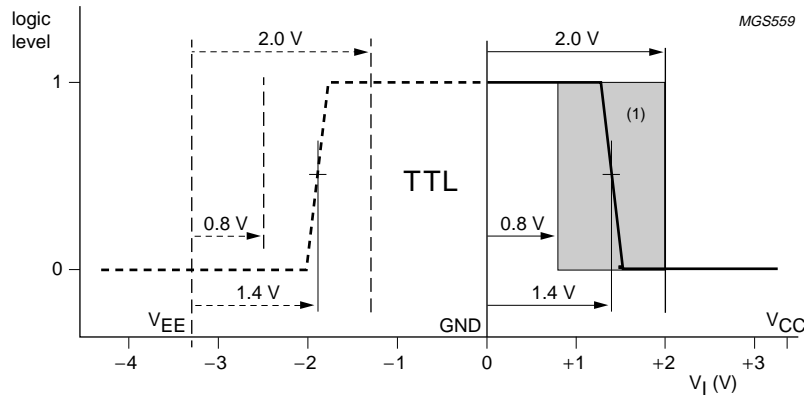
| INV | OUT | OUTQ |
|-----|-----|------|
| 0 | IN | INQ |
| 1 | INQ | IN |

2.5 Gbits/s postamplifier with level detector

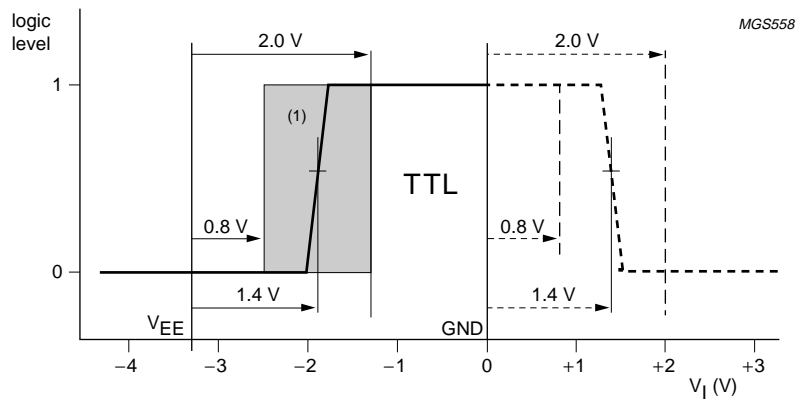
TZA3014



a. Positive supply voltage (V_{CC}) and positive input voltage (V_{CC}).



b. Negative supply voltage (V_{EE}) and positive input voltage (V_{CC}).



c. Negative supply voltage (V_{EE}) and negative input voltage (V_{EE}).

(1) Level not defined.

Fig.7 Logic levels on pins MUTE and INV as a function of the supply voltages.

2.5 Gbits/s postamplifier with level detector

TZA3014

RSSI and LOS detection

The TZA3014 monitors the level of the input AC signal. This function can prevent the output circuit from reacting to noise in case there is no valid input signal, and can ensure that only data is transmitted when there is sufficient input signal for low bit error rate system operation.

The RSSI uses seven limiting amplifiers in a 'successive detection' topology to closely approximate a logarithmic response over a total range of 70 dB. The AC signal is full-wave rectified by a detector at each amplifier stage. Each detector output has a current driver followed by a low-pass filter providing the first stage in the recovery of the average value of the demodulated input signal. The total current from each detector output is converted to a voltage by an internal load resistor and then buffered. When the RSSI output is used, input pin LOSTH is not to be connected to GND (standby mode). The RSSI output follows the internal 3 dB hysteresis of the LOS comparator. The LOS comparator detects when the input signal level rises above a programmable fixed threshold. Then pin LOS gets a LOW-level. The threshold level is determined by the voltage on pin LOSTH and by the level of the input AC signal (see Fig.8). A filter with a nominal time constant of 1 μ s prevents noise spikes from triggering the level detector.

The LOS comparator has an internal 3 dB hysteresis and drives an open-drain circuit with a 5 k Ω internal resistor allowing it to directly interface positive or negative logic circuits (see Fig.9).

Its response is independent of the input signal polarity due to the circuit design and to the demodulating action of the detector which transforms the alternating input voltage to a rectified and filtered quasi DC output signal. The logarithmic voltage slope of the TZA3014 is $\phi = 1/12.5$ dB/mV and mostly is independent of temperature and supply voltage due to four feedback loops in the reference circuit. The LOS detector output voltage is derived from V_{ref} .

The sensitivity of the LOS detector is affected by the RMS value of the input signal which, in its turn, depends on the frequency.

V_{LOSTH} can be calculated using the following formula:

$$V_{LOSTH} = V_{RSSI} = V_{CC} + 0.458 - S_{RSSI} \times 20 \log \left(\frac{V_{i(p-p)}}{26E-8} \right) \quad (1)$$

where S_{RSSI} in [mV/dB]; V_{LOSTH} , V_{RSSI} and $V_{i(p-p)}$ in [V].

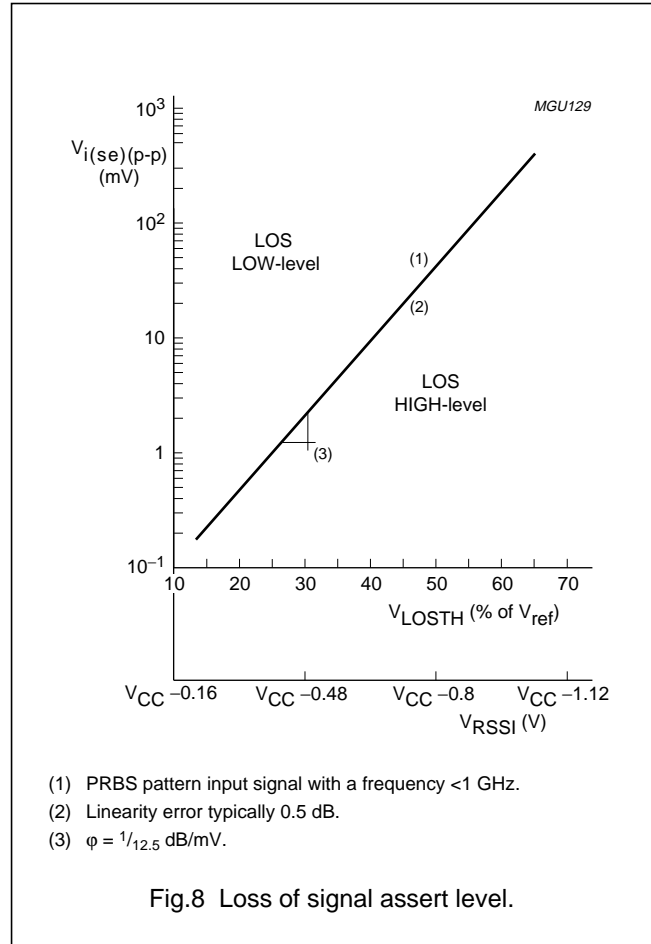


Fig.8 Loss of signal assert level.

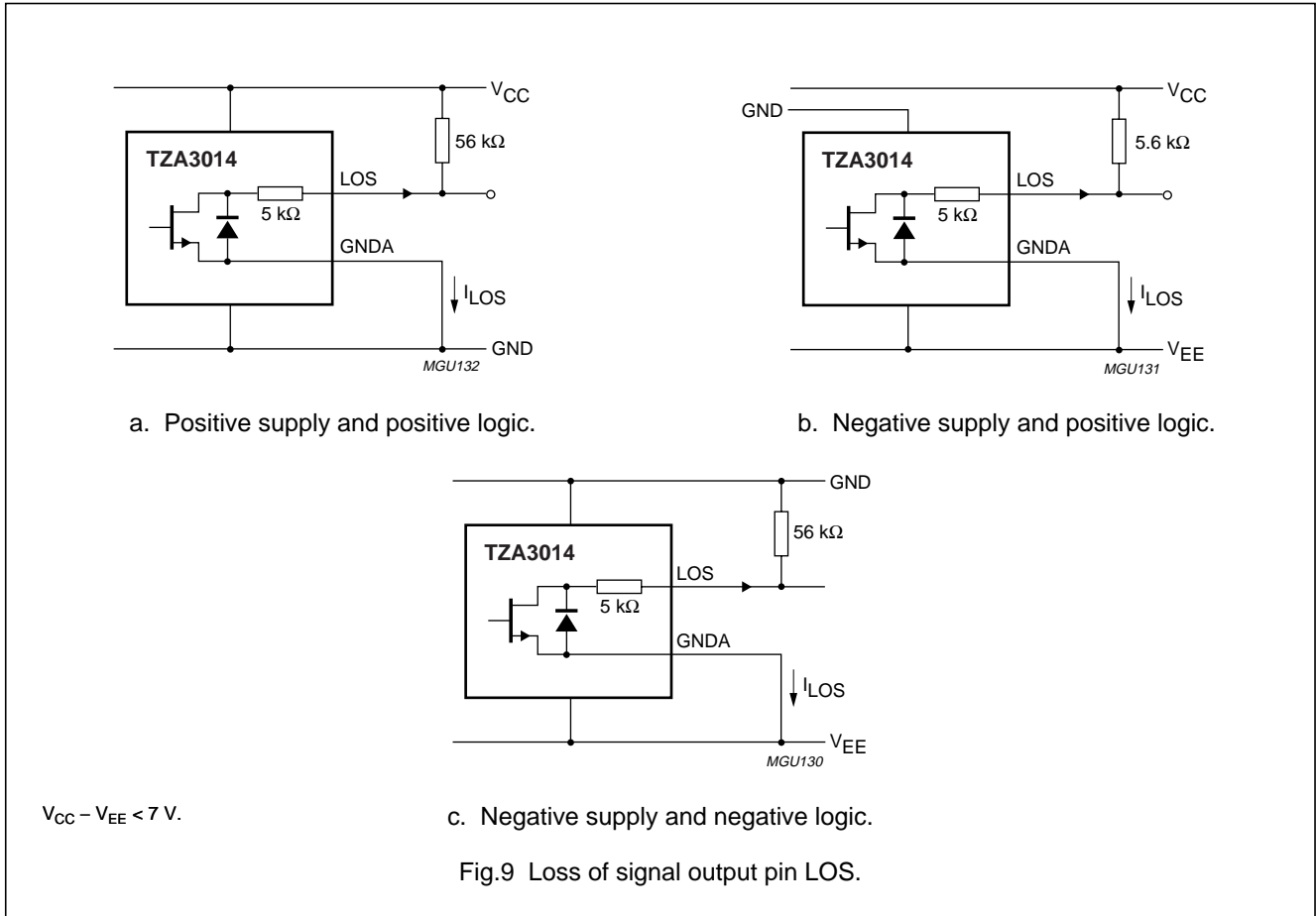
Example: a 200 mV (p-p) single-ended 1.2 GB/s PRBS input signal will have a V_{RSSI} voltage of $V_{CC} - 1.013$ V.

If the offset voltage of the first stage increases above a certain level, the high DC gain of the amplifier circuit will cause successive stages to limit prematurely. This is prevented by the LOS detector offset control loop which extends the lower end of the amplifier's dynamic range. The offset is automatically and continuously compensated by a feedback path from the last stage. An offset at the output of the logarithmic converter is equivalent to a change of amplitude at the input.

Using DC-coupling, with signal absence, and V_{IN} not equal to V_{INQ} (mute), the LOS detector detects full signal. Only very small signals with an average value equal to zero, can result into a zero output.

2.5 Gbits/s postamplifier with level detector

TZA3014



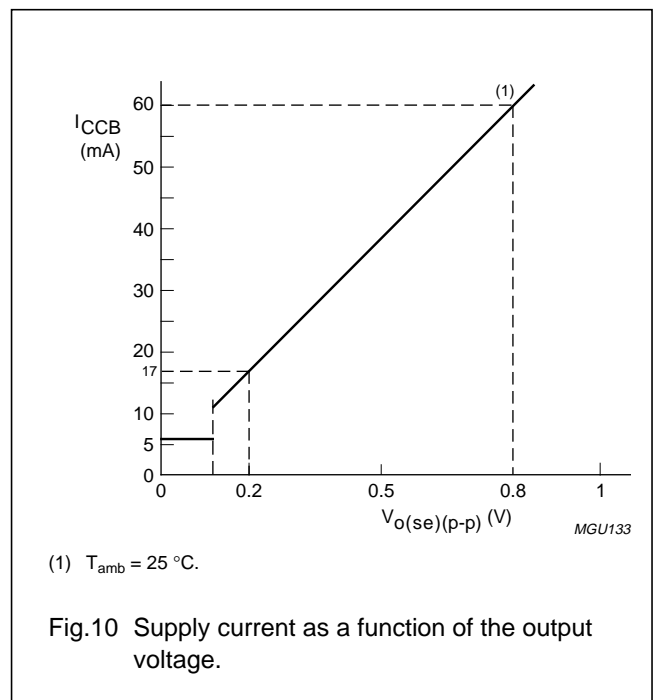
Supply current

For the supply current I_{CCB} , see Fig.10.

Using a positive supply voltage

Although the TZA3014 has been designed to use a single +3.3 V supply voltage (see Fig.11), some care should be taken with respect to RF transmission lines. The on-chip signals refer to the various V_{CC} pins. The external transmission lines will most likely be referred to the pins GNDA and GNDB, being the system ground.

The RF signals will change from one reference plane to another when interfacing the RF inputs and outputs. A positive supply application is very vulnerable to interference with respect to this point. For a successful +3.3 V application, special care should be taken when designing the PCB layout in order to reduce the influence of interference and to keep the positive supply voltage as clean as possible.



2.5 Gbits/s postamplifier with level detector

TZA3014

LIMITING VALUES

In accordance with the Absolute Maximum Rating System (IEC 60134).

| SYMBOL | PARAMETER | MIN. | MAX. | UNIT |
|-----------|---|------|----------------|--------------|
| V_{CC} | supply voltage | -0.5 | +5.5 | V |
| V_n | DC voltage pins IN, INQ, LOSTH, LEVEL, V_{ref} , TEST, OUTQ, OUT, GNDp, V_{CCA} and V_{CCB} pins LOS, INV and MUTE | -0.5 | $V_{CC} + 0.5$ | V |
| | | -0.5 | +7 | V |
| I_n | DC current pins IN and INQ | -20 | +20 | mA |
| | pins LOSTH and LEVEL | 0 | 14 | μ A |
| | pins V_{ref} , TEST and LOS | -1 | +1 | mA |
| | pins OUT and OUTQ | -30 | +30 | mA |
| | pins INV and MUTE | 0 | 20 | μ A |
| P_{tot} | total power dissipation | - | 0.6 | W |
| T_{stg} | storage temperature | -65 | +150 | $^{\circ}$ C |
| T_j | junction temperature | - | 150 | $^{\circ}$ C |
| T_{amb} | ambient temperature | -40 | +85 | $^{\circ}$ C |

THERMAL CHARACTERISTICS

| SYMBOL | PARAMETER | CONDITIONS | VALUE | UNIT |
|--------------------|--|---|-------|------|
| $R_{th(j-s)}$ | thermal resistance from junction to solder point (exposed die pad) | note 1 | 15 | K/W |
| $R_{th(j-a)}$ | thermal resistance from junction to ambient | 1s2p multi-layer test board; notes 1 and 2 | 33 | K/W |
| $R_{th(s-a)}$ | thermal resistance from solder point to ambient (exposed die pad) | 1s2p multi-layer test board; notes 1 and 2 | 18 | K/W |
| $R_{th(s-a)(req)}$ | required thermal resistance from solder point to ambient | LOS detector switched on $V_o = 200$ mV (p-p) single-ended | 130 | K/W |
| | | $V_o = 800$ mV (p-p) single-ended | 75 | K/W |

Notes

- JEDEC standard.
- HTQFP32 and HBCC32 packages.

2.5 Gbits/s postamplifier with level detector

TZA3014

CHARACTERISTICS

Typical values at $T_{amb} = 25\text{ }^{\circ}\text{C}$ and $V_{CC} = 3.3\text{ V}$; minimum and maximum values are valid over the entire ambient temperature range and supply voltage range; all voltages referenced to ground; note 1; unless otherwise specified.

| SYMBOL | PARAMETER | CONDITIONS | MIN. | TYP. | MAX. | UNIT |
|--|--|--|----------------|-----------------|-----------------|--------------------|
| Supply (pins V_{CCA} and V_{CCB}) | | | | | | |
| V_{CC} | supply voltage | | 3.13 | 3.3 | 3.47 | V |
| I_{CCA} | supply current A | LOS detector power-down | 14 | 24 | 34 | mA |
| | | LOS detector switched on | 24 | 40 | 56 | mA |
| I_{CCB} | supply current B | amplifier power-down | 2 | 6 | 10 | mA |
| | | $V_o = 200\text{ mV}$ (p-p) single-ended | 11 | 17 | 24 | mA |
| | | $V_o = 800\text{ mV}$ (p-p) single-ended | 43 | 60 | 77 | mA |
| P_{tot} | total power dissipation | power-down | 60 | 100 | 240 | mW |
| | | $V_o = 200\text{ mV}$ (p-p) single-ended | 120 | 190 | 270 | mW |
| | | $V_o = 800\text{ mV}$ (p-p) single-ended | 250 | 330 | 450 | mW |
| TC | temperature coefficient | LOS detector switched on; I_{CCA} | -80 | -50 | -30 | $\mu\text{A/K}$ |
| | | $V_o = 800\text{ mV}$ (p-p) single-ended; I_{CCB} | -50 | -30 | -15 | $\mu\text{A/K}$ |
| T_j | junction temperature | | -40 | - | +125 | $^{\circ}\text{C}$ |
| T_{amb} | ambient temperature | | -40 | +25 | +85 | $^{\circ}\text{C}$ |
| RF inputs in general (PECL or CML input pins IN and INQ) | | | | | | |
| $V_{I(bias)}$ | DC input bias voltage | | $V_{CC} - 0.4$ | $V_{CC} - 0.33$ | $V_{CC} - 0.28$ | V |
| V_I | DC and AC input window voltage | note 2 | $V_{CC} - 1.0$ | - | $V_{CC} + 0.3$ | V |
| R_i | input resistance | single-ended | 35 | 50 | 70 | Ω |
| C_i | input capacitance | single-ended; note 2 | 0.6 | 0.8 | 1.2 | pF |
| Cross-over switch and postamplifier | | | | | | |
| PECL OR CML INPUT PINS IN AND INQ | | | | | | |
| $V_{i(p-p)}$ | input voltage swing (peak-to-peak value) | single-ended; notes 2 and 3 | 50 | - | 500 | mV |
| $\alpha_{OS(red)}$ | input offset reduction | $V_o = 200\text{ mV}$ (p-p) single-ended; note 4 | 3.8 | 9 | 13.5 | dB |
| | | $V_o = 800\text{ mV}$ (p-p) single-ended; note 4 | 6 | 14 | 22 | dB |
| $V_{io(cor)}$ | input offset voltage correction range (peak-to-peak value) | single-ended | -10 | - | +10 | mV |
| $V_{n(i)(eq)(rms)}$ | equivalent input noise voltage (RMS value) | $V_o = 800\text{ mV}$ (p-p) single-ended; note 2 | - | 75 | 170 | μV |
| F_n | noise factor | note 2 | - | 5 | 12 | dB |

2.5 Gbits/s postamplifier with level detector

TZA3014

| SYMBOL | PARAMETER | CONDITIONS | MIN. | TYP. | MAX. | UNIT |
|---|--|---|--------------------|------|----------------|------------|
| BUFFER AND AMPLIFIER | | | | | | |
| G_V | small signal voltage gain | $V_o = 200$ mV (p-p) single-ended; note 5 | 9 | 15 | 20 | dB |
| | | $V_o = 800$ mV (p-p) single-ended; note 5 | 21 | 29 | 34 | dB |
| f_D | signal path data rate | notes 6 and 7 | – | 2.5 | – | Gbits/s |
| $f_{-3dB(l)}$ | low –3 dB cut-off frequency DC compensation | note 2 | 2 | 5 | 10 | kHz |
| $f_{-3dB(h)}$ | high –3 dB cut-off frequency | | – | 2.0 | – | GHz |
| t_{PD} | propagation delay | note 2 | 150 | 200 | 250 | ps |
| Δt_{PD} | propagation delay difference | at the same signal levels; note 2 | – | 0 | 5 | ps |
| J | total jitter | 20 bits of the 28.5 kbits pattern; notes 2 and 8 | – | 8 | – | ps |
| α_{ct} | crosstalk | note 9 | – | 110 | – | dB |
| PECL OR CML OUTPUTS (PINS OUT AND OUTQ) | | | | | | |
| $V_{o(se)(p-p)}$ | single-ended output voltage (peak-to-peak value) | 50 Ω load | 200 | – | 800 | mV |
| TC_{V_o} | temperature coefficient output voltage | | –1 | 0 | +1 | mV/K |
| t_r | rise time | 20% to 80%; notes 6 and 8 | – | 80 | – | ps |
| t_f | fall time | 80% to 20%; notes 6 and 8 | – | 80 | – | ps |
| R_o | output resistance | single-ended | 70 | 100 | 130 | Ω |
| C_o | output capacitance | single-ended; note 2 | 0.6 | 0.8 | 1.2 | pF |
| LEVEL CONTROL INPUT (PIN LEVEL) | | | | | | |
| V_i | input voltage | | $V_{CC} - V_{ref}$ | – | V_{CC} | V |
| R_i | input resistance | referenced to V_{CC} | 200 | 350 | 600 | k Ω |
| SWITCH CIRCUIT | | | | | | |
| t_a | assert time | multiplexer and inverter | – | 100 | – | ns |
| t_d | de-assert time | multiplexer and inverter | – | 80 | – | ns |
| TTL INPUT PINS MUTE AND INV | | | | | | |
| V_{IL} | LOW-level input voltage | positive logic; note 10 | –0.3 | – | +0.8 | V |
| V_{IH} | HIGH-level input voltage | positive logic; note 10 | 2 | – | $V_{CC} + 0.8$ | V |
| R_i | input resistance | referenced to GNDA | 100 | 180 | 400 | k Ω |
| I_i | input current | | –40 | – | +40 | μ A |

2.5 Gbits/s postamplifier with level detector

TZA3014

| SYMBOL | PARAMETER | CONDITIONS | MIN. | TYP. | MAX. | UNIT |
|-----------------------------------|---|---|------|------|----------|-------------|
| RSSI and LOS detector | | | | | | |
| PECL OR CML INPUT PINS IN AND INQ | | | | | | |
| $V_{i(p-p)}$ | input voltage swing (peak-to-peak value) | single-ended | 0.4 | – | 400 | mV |
| $\alpha_{OS(red)}$ | input offset reduction | notes 2 and 4 | 25 | 40 | 50 | dB |
| $V_{io(cor)}$ | on-chip DC-offset compensation correction range | peak-to-peak value; single-ended | –5 | – | +5 | mV |
| RSSI CIRCUIT | | | | | | |
| $f_{-3dB(l)}$ | low –3 dB cut-off frequency | | 0.5 | 1 | 2 | MHz |
| $f_{-3dB(h)}$ | high –3 dB cut-off frequency | note 11 | 1.5 | 2 | 2.5 | GHz |
| DR | dynamic range | | 57 | 60 | 63 | dB |
| S_{RSSI} | RSSI sensitivity | 50 MHz, square; note 11 | 10 | 12.5 | 15 | mV/dB |
| | | 620 MHz, square; note 11 | 10 | 12 | 14 | mV/dB |
| | | 1.2 GHz, square; note 11 | 9 | 11 | 13.5 | mV/dB |
| | | 100 MB/s PRBS ($2^{31} - 1$); note 11 | 9 | 12.5 | 15 | mV/dB |
| | | 1.2 GB/s PRBS ($2^{31} - 1$); note 11 | 10 | 12 | 14.5 | mV/dB |
| | | 2.4 GB/s PRBS ($2^{31} - 1$); note 11 | 10 | 12 | 14 | mV/dB |
| TC_{sens} | temperature coefficient sensitivity | | –2 | 0 | +2 | μ V/dBK |
| LE | linearity error | see Fig.8; note 2 | – | 0.5 | 1 | dB |
| LOS DETECTOR | | | | | | |
| h_{yLOS} | LOS hysteresis | input signal waveform dependent | 2.0 | 3.0 | 4.0 | dB |
| t_a | assert time | note 2 | – | – | 5 | μ s |
| t_d | de-assert time | note 2 | – | – | 5 | μ s |
| INPUT PIN LOSTH | | | | | | |
| V_i | input voltage | | 0 | – | V_{CC} | V |
| R_i | input resistance | referenced to GNDA | 150 | 350 | 600 | k Ω |
| OUTPUT PIN LOS | | | | | | |
| $I_{o(sink)}$ | output sink current | | – | – | 1 | mA |
| R_o | output resistance | internal output series resistance | 3.5 | 5 | 6.5 | k Ω |

2.5 Gbits/s postamplifier with level detector

TZA3014

| SYMBOL | PARAMETER | CONDITIONS | MIN. | TYP. | MAX. | UNIT |
|-----------------------------------|------------------------------|------------|-----------------|----------------|-----------------|---------|
| OUTPUT PIN RSSI | | | | | | |
| V_o | output voltage | | $V_{CC} - 1.2$ | – | V_{CC} | V |
| I_o | output current | | –1 | – | +1 | mA |
| Band gap reference circuit | | | | | | |
| OUTPUT PIN V_{ref} | | | | | | |
| V_{ref} | reference voltage | | $V_{CC} - 1.85$ | $V_{CC} - 1.6$ | $V_{CC} - 1.45$ | V |
| C_{ext} | allowed external capacitance | | – | – | 10 | pF |
| $I_{o(sink)}$ | output sink current | | – | – | 500 | μ A |

Notes

1. It is assumed that both CML inputs carry a complementary signal with the specified peak-to-peak value (true differential excitation).
2. Guaranteed by design.
3. Minimum signal with limiting output.
4. $\alpha_{OS(red)} = \frac{G_{AC}}{G_{DC}}$
5. $G_V = \frac{V_o}{V_i}$
6. Based on –3 dB cut-off frequency and rise/fall time.
7. Low limit can go as low as DC if the input signal overrides the input offset voltage correction range.
8. $V_i = 100$ mV (p-p) single-ended, $V_o = 800$ mV (p-p) single-ended.
9. Crosstalk of IC only.
10. When using a negative supply voltage, positive or negative logic can be used. The values will be different, see Fig.7.
11. Sensitivity depends on the waveform and is therefore a function of –3 dB cut-off frequency; see Section “RSSI and LOS detection”, Equation (1).

2.5 Gbits/s postamplifier with level detector

TZA3014

APPLICATION INFORMATION

RF input and output connections

Striplines, or microstrips, with an odd mode characteristic impedance of $Z_o = 50 \Omega$ have to be used for the differential RF connections on the PCB. This applies to both signal inputs and signal outputs. Each pair of lines should have the same length.

Grounding and power supply decoupling

The PCB ground connection has to be a large area of copper connected to a common ground plane with an inductance as low as possible.

To minimize low frequency switching noise in the vicinity of the TZA3014, the power supply line should be filtered once using a beaded capacitor circuit having a low cut-off frequency.

The exposed die pad GNDp connection on the PCB must be a large area of copper to aid the transfer of heat from the IC to the PCB (see Figs 11 and 12).

2.5 Gbits/s postamplifier with level detector

TZA3014

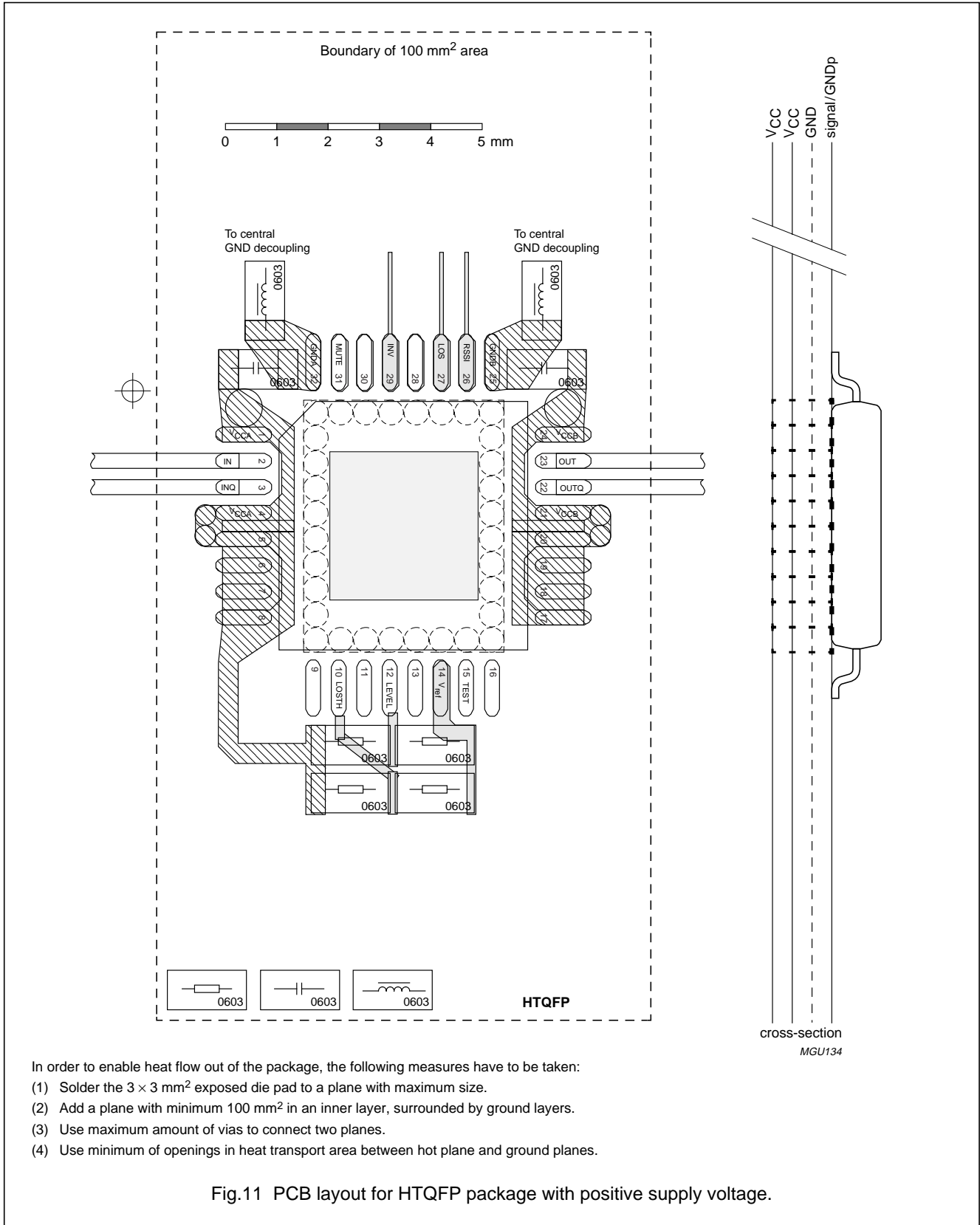
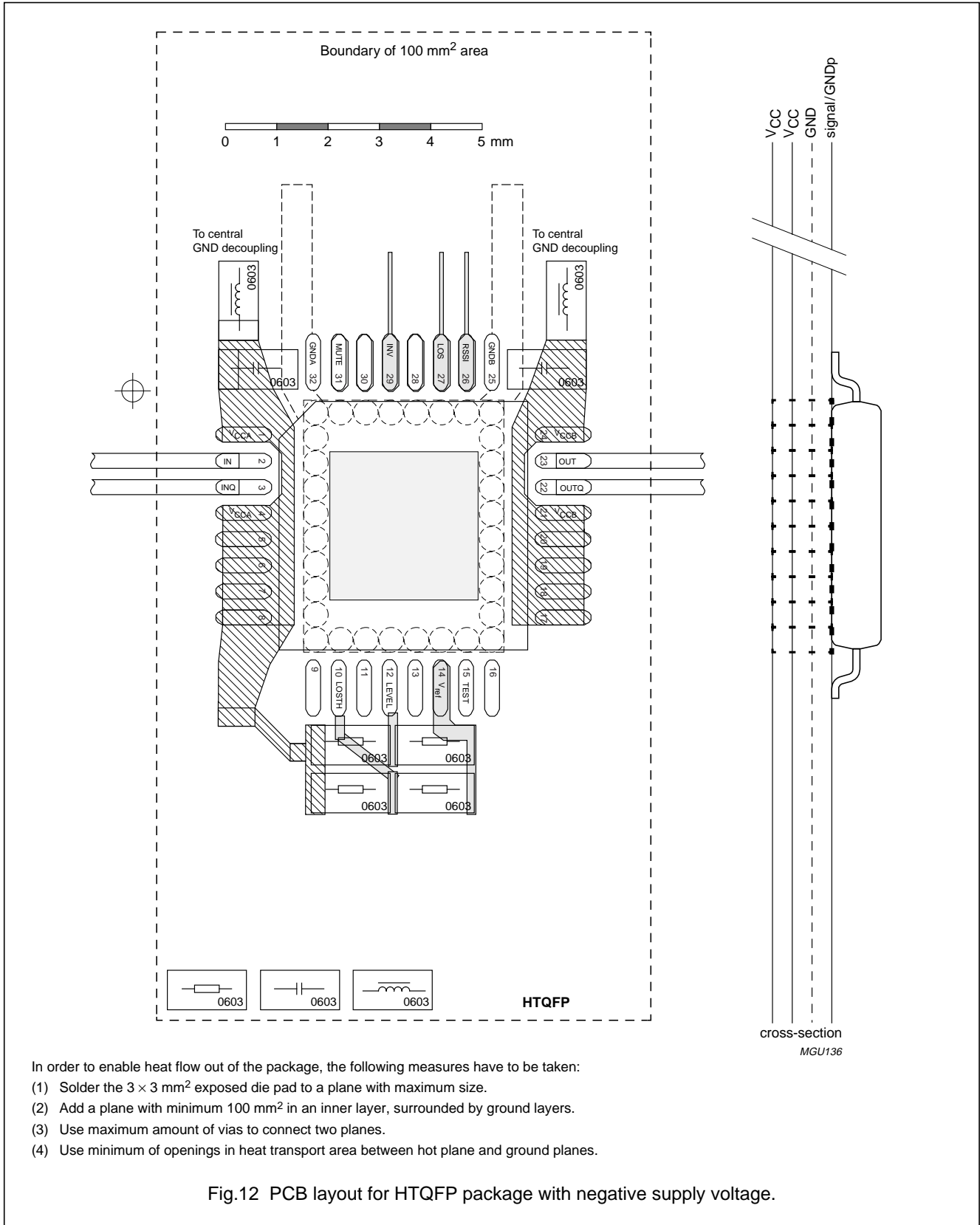


Fig.11 PCB layout for HTQFP package with positive supply voltage.

2.5 Gbits/s postamplifier with level detector

TZA3014



2.5 Gbits/s postamplifier with level detector

TZA3014

BONDING PAD INFORMATION

| SYMBOL | PAD | COORDINATES ⁽¹⁾ | |
|------------------|-----|----------------------------|------|
| | | x | y |
| V _{CCA} | 1 | -928 | +710 |
| IN | 2 | -928 | +553 |
| INQ | 3 | -928 | +396 |
| V _{CCA} | 4 | -928 | +239 |
| n.c. | 5 | -928 | +81 |
| n.c. | 6 | -928 | -81 |
| n.c. | 7 | -928 | -239 |
| n.c. | 8 | -928 | -396 |
| n.c. | 9 | -928 | -553 |
| n.c. | 10 | -928 | -710 |
| n.c. | 11 | -707 | -928 |
| LOSTH | 12 | -550 | -928 |
| n.c. | 13 | -393 | -928 |
| n.c. | 14 | -236 | -928 |
| LEVEL | 15 | -79 | -928 |
| n.c. | 16 | +79 | -928 |
| V _{ref} | 17 | +236 | -928 |
| n.c. | 18 | +393 | -928 |
| TEST | 19 | +550 | -928 |
| n.c. | 20 | +707 | -928 |
| n.c. | 21 | +928 | -710 |
| n.c. | 22 | +928 | -553 |
| n.c. | 23 | +928 | -396 |
| n.c. | 24 | +928 | -239 |

| SYMBOL | PAD | COORDINATES ⁽¹⁾ | |
|------------------|-----|----------------------------|------|
| | | x | y |
| n.c. | 25 | +928 | -81 |
| n.c. | 26 | +928 | +81 |
| V _{CCB} | 27 | +928 | +239 |
| OUTQ | 28 | +928 | +396 |
| OUT | 29 | +928 | +553 |
| V _{CCB} | 30 | +928 | +710 |
| GNDB | 31 | +707 | +928 |
| n.c. | 32 | +550 | +928 |
| n.c. | 33 | +393 | +928 |
| RSSI | 34 | +236 | +928 |
| LOS | 35 | +79 | +928 |
| n.c. | 36 | -79 | +928 |
| INV | 37 | -236 | +928 |
| n.c. | 38 | -393 | +928 |
| MUTE | 39 | -550 | +928 |
| GNDA | 40 | -707 | +928 |

Note

- All x and y coordinates represent the position of the centre of the pad in μm with respect to the centre of the die (see Fig.13).

2.5 Gbits/s postamplifier with level detector

TZA3014

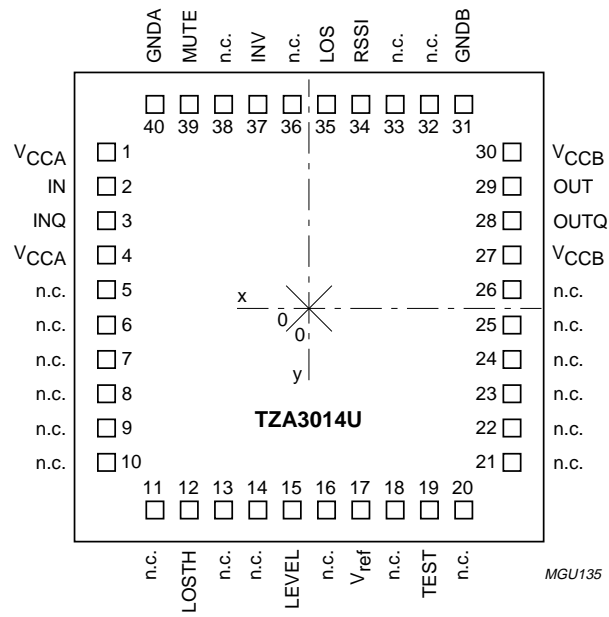


Fig.13 Bonding pad locations TZA3014U.

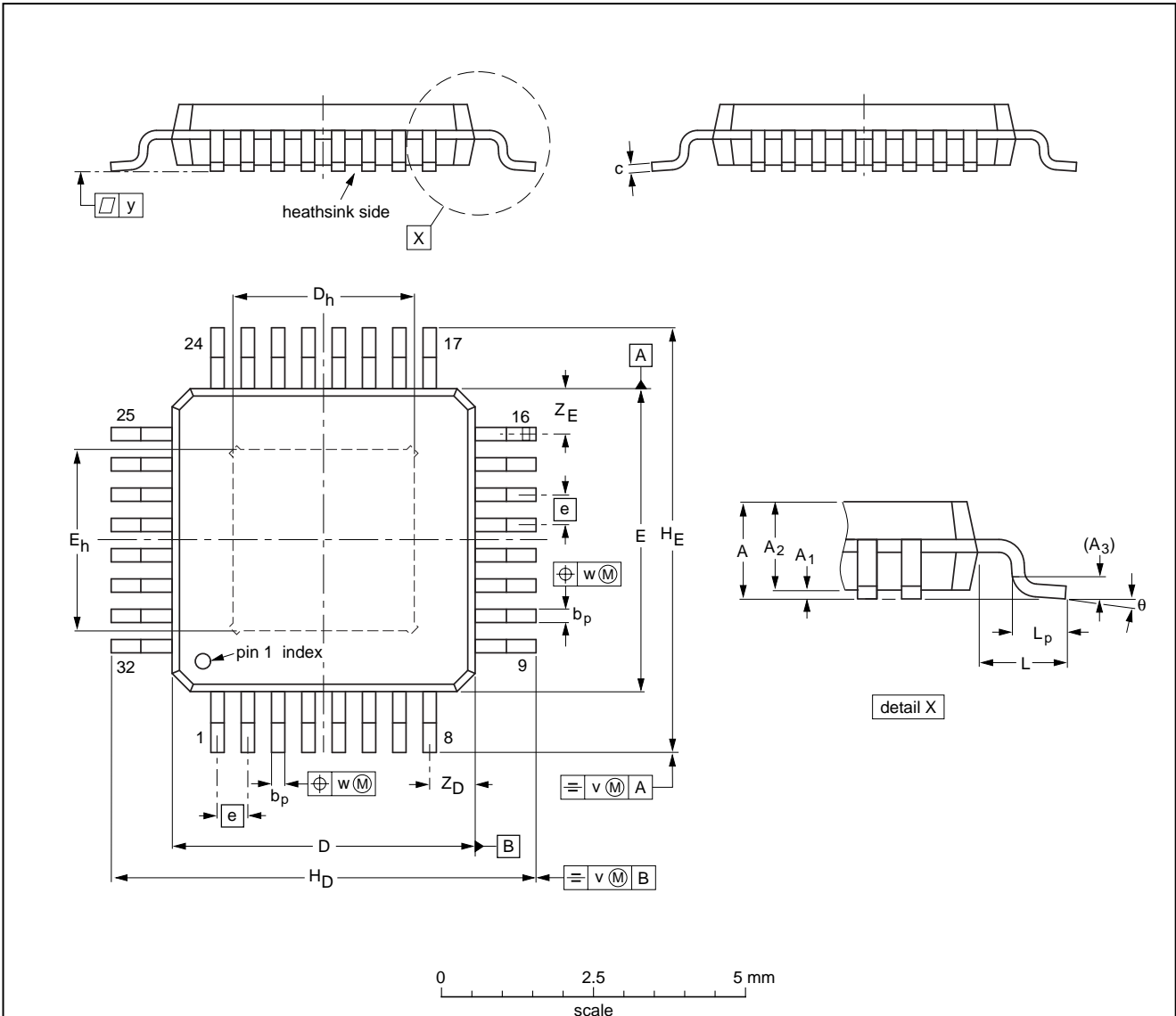
2.5 Gbits/s postamplifier with level detector

TZA3014

PACKAGE OUTLINES

HTQFP32: plastic, heatsink thin quad flat package; 32 leads; body 5 x 5 x 1.0 mm

SOT547-2



DIMENSIONS (mm are the original dimensions)

| UNIT | A max. | A ₁ | A ₂ | A ₃ | b _p | c | D ⁽¹⁾ | D _h | E ⁽¹⁾ | E _h | e | H _D | H _E | L | L _p | v | w | y | Z _D ⁽¹⁾ | Z _E ⁽¹⁾ | θ |
|------|--------|----------------|----------------|----------------|----------------|--------------|------------------|----------------|------------------|----------------|-----|----------------|----------------|-----|----------------|-----|------|------|-------------------------------|-------------------------------|----------|
| mm | 1.2 | 0.15 0.05 | 1.05 0.95 | 0.25 | 0.27 0.17 | 0.20 0.09 | 5.1 4.9 | 3.1 2.7 | 5.1 4.9 | 3.1 2.7 | 0.5 | 7.1 6.9 | 7.1 6.9 | 1.0 | 0.75 0.45 | 0.2 | 0.08 | 0.08 | 0.89 0.61 | 0.89 0.61 | 7° 0° |

Note

1. Plastic or metal protrusions of 0.25 mm maximum per side are not included.

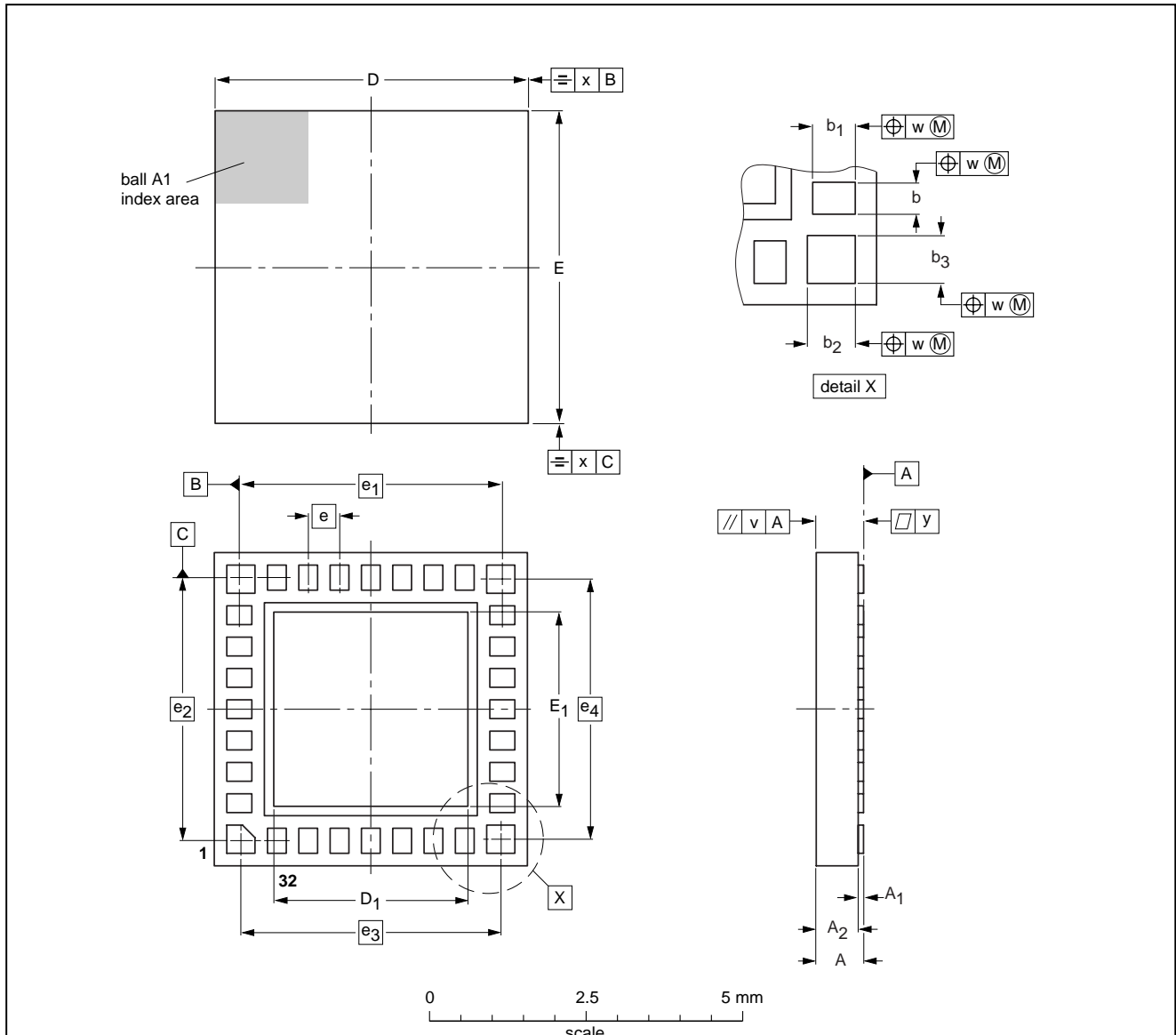
| OUTLINE VERSION | REFERENCES | | | | EUROPEAN PROJECTION | ISSUE DATE |
|-----------------|------------|-------|------|--|---------------------|------------|
| | IEC | JEDEC | EIAJ | | | |
| SOT547-2 | | | | | | 99-06-15 |

2.5 Gbits/s postamplifier with level detector

TZA3014

HBCC32: plastic, heatsink bottom chip carrier; 32 terminals; body 5 x 5 x 0.65 mm

SOT560-1



DIMENSIONS (mm are the original dimensions)

| UNIT | A max. | A ₁ | A ₂ | b | b ₁ | b ₂ | b ₃ | D | D ₁ | E | E ₁ | e | e ₁ | e ₂ | e ₃ | e ₄ | v | w | x | y |
|------|--------|----------------|----------------|--------------|----------------|----------------|----------------|------------|----------------|------------|----------------|-----|----------------|----------------|----------------|----------------|-----|------|------|------|
| mm | 0.80 | 0.10 0.05 | 0.70 0.60 | 0.35 0.20 | 0.50 0.30 | 0.50 0.35 | 0.50 0.35 | 5.1 4.9 | 3.2 3.0 | 5.1 4.9 | 3.2 3.0 | 0.5 | 4.2 | 4.2 | 4.15 | 4.15 | 0.2 | 0.15 | 0.15 | 0.05 |

| OUTLINE VERSION | REFERENCES | | | | EUROPEAN PROJECTION | ISSUE DATE |
|-----------------|------------|--------|------|--|---------------------|----------------------|
| | IEC | JEDEC | EIAJ | | | |
| SOT560-1 | | MO-217 | | | | 99-09-10 00-02-01 |

2.5 Gbits/s postamplifier with level detector

TZA3014

SOLDERING

Introduction to soldering surface mount packages

This text gives a very brief insight to a complex technology. A more in-depth account of soldering ICs can be found in our *"Data Handbook IC26; Integrated Circuit Packages"* (document order number 9398 652 90011).

There is no soldering method that is ideal for all surface mount IC packages. Wave soldering can still be used for certain surface mount ICs, but it is not suitable for fine pitch SMDs. In these situations reflow soldering is recommended.

Reflow soldering

Reflow soldering requires solder paste (a suspension of fine solder particles, flux and binding agent) to be applied to the printed-circuit board by screen printing, stencilling or pressure-syringe dispensing before package placement.

Several methods exist for reflowing; for example, convection or convection/infrared heating in a conveyor type oven. Throughput times (preheating, soldering and cooling) vary between 100 and 200 seconds depending on heating method.

Typical reflow peak temperatures range from 215 to 250 °C. The top-surface temperature of the packages should preferably be kept below 220 °C for thick/large packages, and below 235 °C for small/thin packages.

Wave soldering

Conventional single wave soldering is not recommended for surface mount devices (SMDs) or printed-circuit boards with a high component density, as solder bridging and non-wetting can present major problems.

To overcome these problems the double-wave soldering method was specifically developed.

If wave soldering is used the following conditions must be observed for optimal results:

- Use a double-wave soldering method comprising a turbulent wave with high upward pressure followed by a smooth laminar wave.
- For packages with leads on two sides and a pitch (e):
 - larger than or equal to 1.27 mm, the footprint longitudinal axis is **preferred** to be parallel to the transport direction of the printed-circuit board;
 - smaller than 1.27 mm, the footprint longitudinal axis **must** be parallel to the transport direction of the printed-circuit board.

The footprint must incorporate solder thieves at the downstream end.

- For packages with leads on four sides, the footprint must be placed at a 45° angle to the transport direction of the printed-circuit board. The footprint must incorporate solder thieves downstream and at the side corners.

During placement and before soldering, the package must be fixed with a droplet of adhesive. The adhesive can be applied by screen printing, pin transfer or syringe dispensing. The package can be soldered after the adhesive is cured.

Typical dwell time is 4 seconds at 250 °C.

A mildly-activated flux will eliminate the need for removal of corrosive residues in most applications.

Manual soldering

Fix the component by first soldering two diagonally-opposite end leads. Use a low voltage (24 V or less) soldering iron applied to the flat part of the lead. Contact time must be limited to 10 seconds at up to 300 °C.

When using a dedicated tool, all other leads can be soldered in one operation within 2 to 5 seconds between 270 and 320 °C.

2.5 Gbits/s postamplifier with level detector

TZA3014

Suitability of surface mount IC packages for wave and reflow soldering methods

| PACKAGE | SOLDERING METHOD | |
|---|-----------------------------------|-----------------------|
| | WAVE | REFLOW ⁽¹⁾ |
| BGA, HBGA, LFBGA, SQFP, TFBGA | not suitable | suitable |
| HBCC, HLQFP, HSQFP, HSOP, HTQFP, HTSSOP, HVQFN, SMS | not suitable ⁽²⁾ | suitable |
| PLCC ⁽³⁾ , SO, SOJ | suitable | suitable |
| LQFP, QFP, TQFP | not recommended ⁽³⁾⁽⁴⁾ | suitable |
| SSOP, TSSOP, VSO | not recommended ⁽⁵⁾ | suitable |

Notes

- All surface mount (SMD) packages are moisture sensitive. Depending upon the moisture content, the maximum temperature (with respect to time) and body size of the package, there is a risk that internal or external package cracks may occur due to vaporization of the moisture in them (the so called popcorn effect). For details, refer to the Drypack information in the "Data Handbook IC26; Integrated Circuit Packages; Section: Packing Methods".
- These packages are not suitable for wave soldering as a solder joint between the printed-circuit board and heatsink (at bottom version) can not be achieved, and as solder may stick to the heatsink (on top version).
- If wave soldering is considered, then the package must be placed at a 45° angle to the solder wave direction. The package footprint must incorporate solder thieves downstream and at the side corners.
- Wave soldering is only suitable for LQFP, TQFP and QFP packages with a pitch (e) equal to or larger than 0.8 mm; it is definitely not suitable for packages with a pitch (e) equal to or smaller than 0.65 mm.
- Wave soldering is only suitable for SSOP and TSSOP packages with a pitch (e) equal to or larger than 0.65 mm; it is definitely not suitable for packages with a pitch (e) equal to or smaller than 0.5 mm.

DATA SHEET STATUS

| DATA SHEET STATUS ⁽¹⁾ | PRODUCT STATUS ⁽²⁾ | DEFINITIONS |
|----------------------------------|-------------------------------|--|
| Objective data | Development | This data sheet contains data from the objective specification for product development. Philips Semiconductors reserves the right to change the specification in any manner without notice. |
| Preliminary data | Qualification | This data sheet contains data from the preliminary specification. Supplementary data will be published at a later date. Philips Semiconductors reserves the right to change the specification without notice, in order to improve the design and supply the best possible product. |
| Product data | Production | This data sheet contains data from the product specification. Philips Semiconductors reserves the right to make changes at any time in order to improve the design, manufacturing and supply. Changes will be communicated according to the Customer Product/Process Change Notification (CPCN) procedure SNW-SQ-650A. |

Notes

- Please consult the most recently issued data sheet before initiating or completing a design.
- The product status of the device(s) described in this data sheet may have changed since this data sheet was published. The latest information is available on the Internet at URL <http://www.semiconductors.philips.com>.

2.5 Gbits/s postamplifier with level detector

TZA3014

DEFINITIONS

Short-form specification — The data in a short-form specification is extracted from a full data sheet with the same type number and title. For detailed information see the relevant data sheet or data handbook.

Limiting values definition — Limiting values given are in accordance with the Absolute Maximum Rating System (IEC 60134). Stress above one or more of the limiting values may cause permanent damage to the device. These are stress ratings only and operation of the device at these or at any other conditions above those given in the Characteristics sections of the specification is not implied. Exposure to limiting values for extended periods may affect device reliability.

Application information — Applications that are described herein for any of these products are for illustrative purposes only. Philips Semiconductors make no representation or warranty that such applications will be suitable for the specified use without further testing or modification.

DISCLAIMERS

Life support applications — These products are not designed for use in life support appliances, devices, or systems where malfunction of these products can reasonably be expected to result in personal injury. Philips Semiconductors customers using or selling these products for use in such applications do so at their own risk and agree to fully indemnify Philips Semiconductors for any damages resulting from such application.

Right to make changes — Philips Semiconductors reserves the right to make changes, without notice, in the products, including circuits, standard cells, and/or software, described or contained herein in order to improve design and/or performance. Philips Semiconductors assumes no responsibility or liability for the use of any of these products, conveys no licence or title under any patent, copyright, or mask work right to these products, and makes no representations or warranties that these products are free from patent, copyright, or mask work right infringement, unless otherwise specified.

Bare die — All die are tested and are guaranteed to comply with all data sheet limits up to the point of wafer sawing for a period of ninety (90) days from the date of Philips' delivery. If there are data sheet limits not guaranteed, these will be separately indicated in the data sheet. There are no post packing tests performed on individual die or wafer. Philips Semiconductors has no control of third party procedures in the sawing, handling, packing or assembly of the die. Accordingly, Philips Semiconductors assumes no liability for device functionality or performance of the die or systems after third party sawing, handling, packing or assembly of the die. It is the responsibility of the customer to test and qualify their application in which the die is used.

Philips Semiconductors – a worldwide company

Argentina: see South America

Australia: 3 Figtree Drive, HOMEBUSH, NSW 2140,
Tel. +61 2 9704 8141, Fax. +61 2 9704 8139

Austria: Computerstr. 6, A-1101 WIEN, P.O. Box 213,
Tel. +43 1 60 101 1248, Fax. +43 1 60 101 1210

Belarus: Hotel Minsk Business Center, Bld. 3, r. 1211, Volodarski Str. 6,
220050 MINSK, Tel. +375 172 20 0733, Fax. +375 172 20 0773

Belgium: see The Netherlands

Brazil: see South America

Bulgaria: Philips Bulgaria Ltd., Energoproject, 15th floor,
51 James Bourchier Blvd., 1407 SOFIA,
Tel. +359 2 68 9211, Fax. +359 2 68 9102

Canada: PHILIPS SEMICONDUCTORS/COMPONENTS,
Tel. +1 800 234 7381, Fax. +1 800 943 0087

China/Hong Kong: 501 Hong Kong Industrial Technology Centre,
72 Tat Chee Avenue, Kowloon Tong, HONG KONG,
Tel. +852 2319 7888, Fax. +852 2319 7700

Colombia: see South America

Czech Republic: see Austria

Denmark: Sydhavnsgade 23, 1780 COPENHAGEN V,
Tel. +45 33 29 3333, Fax. +45 33 29 3905

Finland: Sinikalliontie 3, FIN-02630 ESPOO,
Tel. +358 9 615 800, Fax. +358 9 6158 0920

France: 7 - 9 Rue du Mont Valérien, BP317, 92156 SURESNES Cedex,
Tel. +33 1 4728 6600, Fax. +33 1 4728 6638

Germany: Hammerbrookstraße 69, D-20097 HAMBURG,
Tel. +49 40 2353 60, Fax. +49 40 2353 6300

Hungary: Philips Hungary Ltd., H-1119 Budapest, Fehervari ut 84/A,
Tel: +36 1 382 1700, Fax: +36 1 382 1800

India: Philips INDIA Ltd, Band Box Building, 2nd floor,
254-D, Dr. Annie Besant Road, Worli, MUMBAI 400 025,
Tel. +91 22 493 8541, Fax. +91 22 493 0966

Indonesia: PT Philips Development Corporation, Semiconductors Division,
Gedung Philips, Jl. Buncit Raya Kav.99-100, JAKARTA 12510,
Tel. +62 21 794 0040 ext. 2501, Fax. +62 21 794 0080

Ireland: Newstead, Clonskeagh, DUBLIN 14,
Tel. +353 1 7640 000, Fax. +353 1 7640 200

Israel: RAPAC Electronics, 7 Kehilat Saloniki St, PO Box 18053,
TEL AVIV 61180, Tel. +972 3 645 0444, Fax. +972 3 649 1007

Italy: PHILIPS SEMICONDUCTORS, Via Casati, 23 - 20052 MONZA (MI),
Tel. +39 039 203 6838, Fax +39 039 203 6800

Japan: Philips Bldg 13-37, Kohnan 2-chome, Minato-ku,
TOKYO 108-8507, Tel. +81 3 3740 5130, Fax. +81 3 3740 5057

Korea: Philips House, 260-199 Itaewon-dong, Yongsan-ku, SEOUL,
Tel. +82 2 709 1412, Fax. +82 2 709 1415

Malaysia: No. 76 Jalan Universiti, 46200 PETALING JAYA, SELANGOR,
Tel. +60 3 750 5214, Fax. +60 3 757 4880

Mexico: 5900 Gateway East, Suite 200, EL PASO, TEXAS 79905,
Tel. +9-5 800 234 7381, Fax +9-5 800 943 0087

Middle East: see Italy

Netherlands: Postbus 90050, 5600 PB EINDHOVEN, Bldg. VB,
Tel. +31 40 27 82785, Fax. +31 40 27 88399

New Zealand: 2 Wagener Place, C.P.O. Box 1041, AUCKLAND,
Tel. +64 9 849 4160, Fax. +64 9 849 7811

Norway: Box 1, Manglerud 0612, OSLO,
Tel. +47 22 74 8000, Fax. +47 22 74 8341

Pakistan: see Singapore

Philippines: Philips Semiconductors Philippines Inc.,
106 Valero St. Salcedo Village, P.O. Box 2108 MCC, MAKATI,
Metro MANILA, Tel. +63 2 816 6380, Fax. +63 2 817 3474

Poland: Al.Jerozolimskie 195 B, 02-222 WARSAW,
Tel. +48 22 5710 000, Fax. +48 22 5710 001

Portugal: see Spain

Romania: see Italy

Russia: Philips Russia, Ul. Usatcheva 35A, 119048 MOSCOW,
Tel. +7 095 755 6918, Fax. +7 095 755 6919

Singapore: Lorong 1, Toa Payoh, SINGAPORE 319762,
Tel. +65 350 2538, Fax. +65 251 6500

Slovakia: see Austria

Slovenia: see Italy

South Africa: S.A. PHILIPS Pty Ltd., 195-215 Main Road Martindale,
2092 JOHANNESBURG, P.O. Box 58088 Newville 2114,
Tel. +27 11 471 5401, Fax. +27 11 471 5398

South America: Al. Vicente Pinzon, 173, 6th floor,
04547-130 SÃO PAULO, SP, Brazil,
Tel. +55 11 821 2333, Fax. +55 11 821 2382

Spain: Balmes 22, 08007 BARCELONA,
Tel. +34 93 301 6312, Fax. +34 93 301 4107

Sweden: Kottbygatan 7, Akalla, S-16485 STOCKHOLM,
Tel. +46 8 5985 2000, Fax. +46 8 5985 2745

Switzerland: Allmendstrasse 140, CH-8027 ZÜRICH,
Tel. +41 1 488 2741 Fax. +41 1 488 3263

Taiwan: Philips Semiconductors, 5F, No. 96, Chien Kuo N. Rd., Sec. 1,
TAIPEI, Taiwan Tel. +886 2 2134 2451, Fax. +886 2 2134 2874

Thailand: PHILIPS ELECTRONICS (THAILAND) Ltd.,
60/14 MOO 11, Bangna Trad Road KM. 3, Bagna, BANGKOK 10260,
Tel. +66 2 361 7910, Fax. +66 2 398 3447

Turkey: Yukari Dudullu, Org. San. Blg., 2.Cad. Nr. 28 81260 Umraniye,
ISTANBUL, Tel. +90 216 522 1500, Fax. +90 216 522 1813

Ukraine: PHILIPS UKRAINE, 4 Patrice Lumumba str., Building B, Floor 7,
252042 KIEV, Tel. +380 44 264 2776, Fax. +380 44 268 0461

United Kingdom: Philips Semiconductors Ltd., 276 Bath Road, Hayes,
MIDDLESEX UB3 5BX, Tel. +44 208 730 5000, Fax. +44 208 754 8421

United States: 811 East Arques Avenue, SUNNYVALE, CA 94088-3409,
Tel. +1 800 234 7381, Fax. +1 800 943 0087

Uruguay: see South America

Vietnam: see Singapore

Yugoslavia: PHILIPS, Trg N. Pasica 5/v, 11000 BEOGRAD,
Tel. +381 11 3341 299, Fax.+381 11 3342 553

For all other countries apply to: Philips Semiconductors,
Marketing Communications, Building BE-p, P.O. Box 218, 5600 MD EINDHOVEN,
The Netherlands, Fax. +31 40 27 24825

Internet: <http://www.semiconductors.philips.com>

© Philips Electronics N.V. 2001

SCA 72

All rights are reserved. Reproduction in whole or in part is prohibited without the prior written consent of the copyright owner.

The information presented in this document does not form part of any quotation or contract, is believed to be accurate and reliable and may be changed without notice. No liability will be accepted by the publisher for any consequence of its use. Publication thereof does not convey nor imply any license under patent- or other industrial or intellectual property rights.

Printed in The Netherlands

403510/200/02/pp28

Date of release: 2001 Jun 25

Document order number: 9397 750 08203

Let's make things better.

Philips
Semiconductors



PHILIPS