

Murata Electronics' chip trimmer capacitors are specifically designed for automatic surface mount placement. The small size and outstanding performance over a wide frequency spectrum make them entirely compatible with other types of surface mounted components.

FEATURES

- Miniature rectangular shape just 4.0 x 4.5 x 3.0mm
- Specifically designed for auto surface placement. Designed to withstand solder bath (260°C, 5 sec.) and flux baths
- Can be reflow soldered
- Conventional snap-in configuration available
- Stable characteristics are a wide frequency range
- Color coded cases makes distinguishing easy

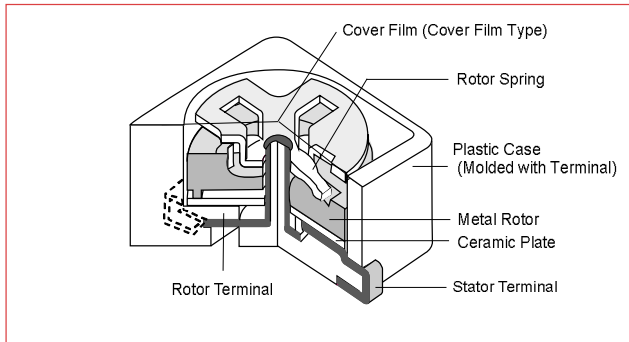
APPLICATIONS

- Transceiver
- VTR System
- Audio Equipment
- Radio
- Clock
- Pagers

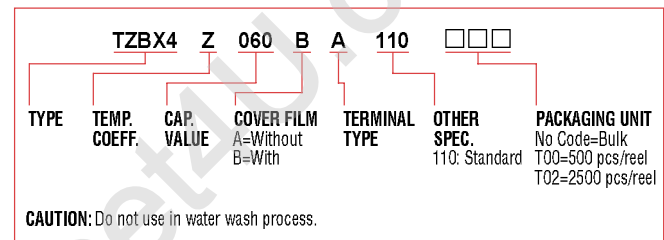
PACKAGING FORMS

- Tape and Reel
- Bulk

CONSTRUCTION



PART NUMBERING SYSTEM



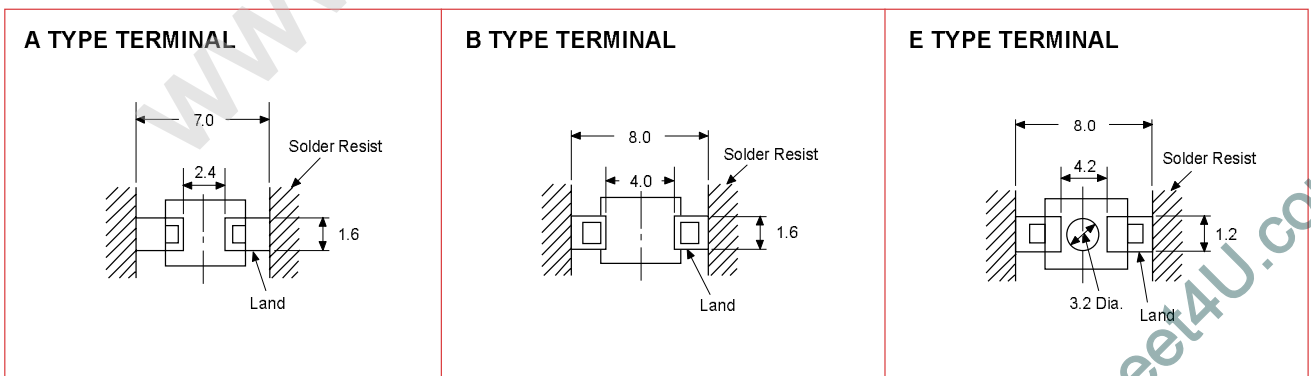
Note: Taping available for A, B and E Terminal types only.

SPECIFICATIONS

Part Number	Capacitance (pF)		Temperature Coefficient (ppm/°C)	Q (min.) (1MHz, C max.)	Temperature (°C)	Case Color
	Min.	Max.				
*TZBX4Z030□□110	1.4	3.0 (+ 50% -0%)	NPO ± 200	300	-55 to +85	Brown
*TZBX4Z060□□110	2.0	6.0 (+ 50% -0%)	NPO ± 200	500	-55 to +85	Blue
*TZBX4Z100□□110	3.0	10.0 (+ 50% -0%)	NPO ± 300	500	-55 to +85	White
*TZBX4R200□□110	4.5	20.0 (+ 50% -0%)	N750 ± 300	500	-55 to +85	Red
*TZBX4P300□□110	6.5	30.0 (+ 50% -0%)	N1200 ± 500	300	-55 to +85	Green
*TZBX4P400□□110	8.5	40.0 (+ 50% -0%)	N1200 ± 500	300	-55 to +85	Yellow
*TZBX4Z250□□110	4.0	25.0 (+100% -0%)	NPO ± 300	300	-55 to +85	Black + Marking
*TZBX4R500□□110	7.0	50.0 (+100% -0%)	N750 ± 300	300	-55 to +85	Black + Marking

• Rated Voltage...100VDC • Withstand Voltage...220VDC • Insulation Resistance...10⁴M ohms min. • Driving Torque...1.5 to 9.8mNm (15 to 100g·cm)
50VDC for Z250, R500

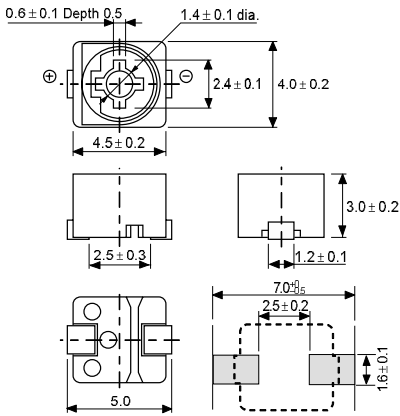
LAND DIMENSIONS: mm



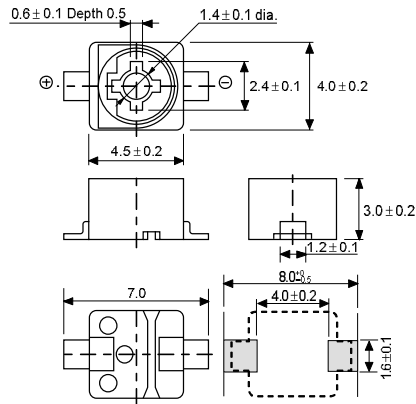
*Contact your local Murata Electronics Sales Office for standard values in these series.

DIMENSIONS: mm

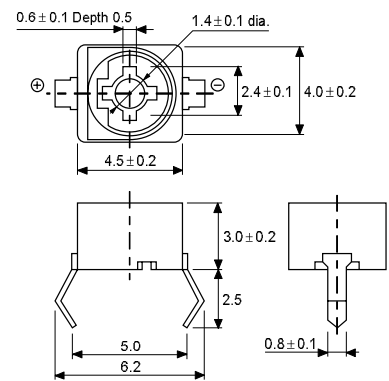
**A TYPE TERMINAL SHAPE
Top Adjustment**



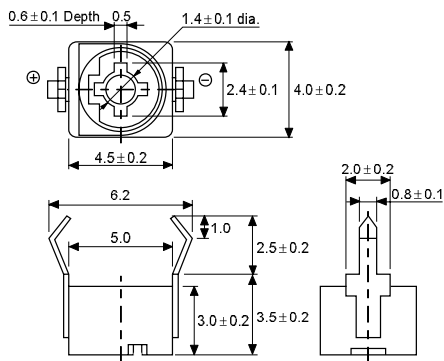
**B TYPE TERMINAL SHAPE
Top Adjustment**



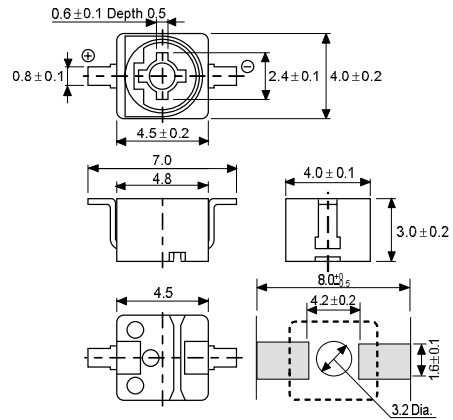
**C TYPE TERMINAL SHAPE
Top Adjustment**



**D TYPE TERMINAL SHAPE
Rear Adjustment**



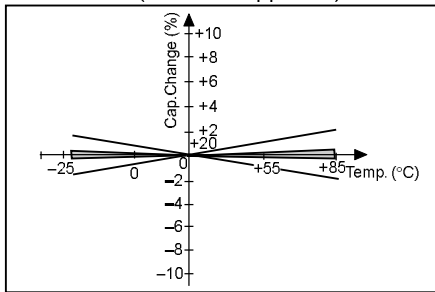
**E TYPE TERMINAL SHAPE
Rear Adjustment**



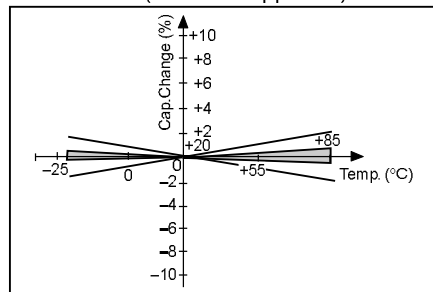
Tolerance: ± 0.5

TEMPERATURE COEFFICIENT CHARACTERISTICS

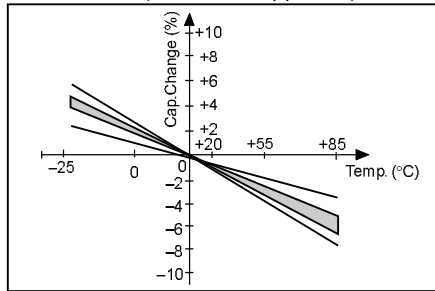
TZBX4Z060 (NP0 ± 200ppm/°C)



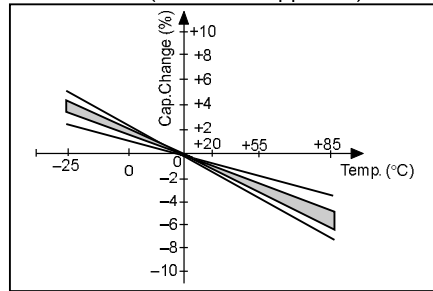
TZBX4Z100 (NP0 ± 300ppm/°C)



TZBX4R200 (N750 ± 400ppm/°C)

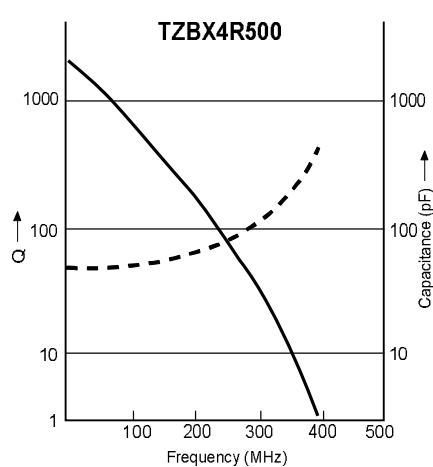
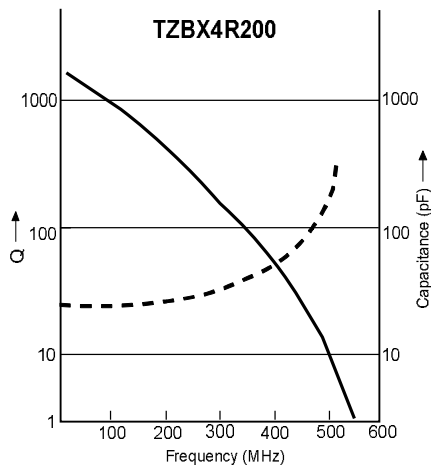
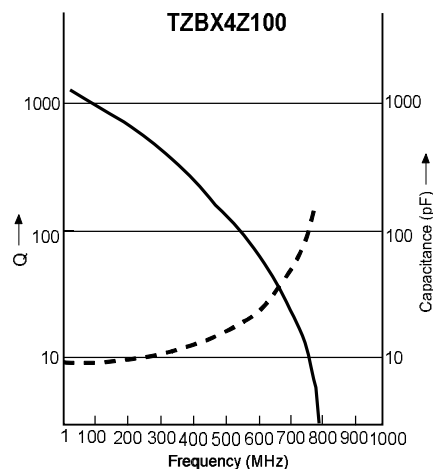
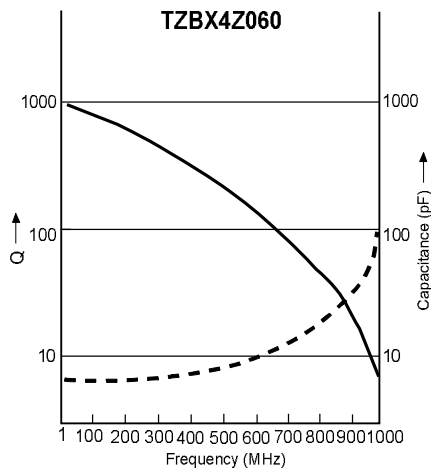


TZBX4R500 (N750 ± 300ppm/°C)



Q AND CAPACITANCE VS. FREQUENCY CHARACTERISTICS

Characteristics are measured at the position of maximum rated capacitance value using an RF impedance analyzer.



TRIMMER CAPACITORS