



U12JZ47/A

TRIAC

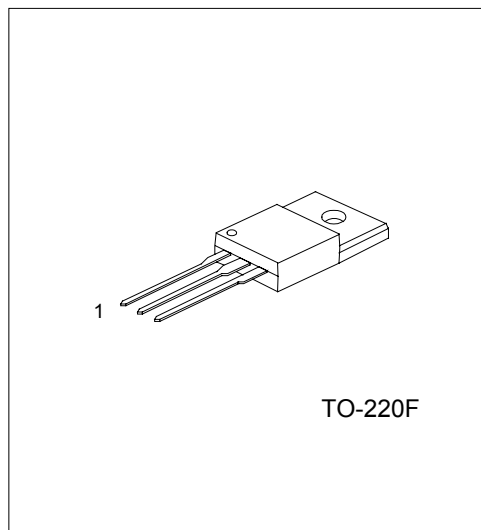
HIGH COMMUTATING TRIAC

DESCRIPTION

The **U12JZ47/A** is a bi-directional, silicon planar type triac in full plastic pack for AC power control applications.

FEATURES

- * Repetitive Peak off-State Voltage: $V_{DRM} = 400, 600V$
- * R.M.S On-State Current: $I_{T(RMS)} = 12A$
- * High Commutating (dv / dt)
- * Isolation Voltage: $V_{isol} = 1500V AC$



*Pb-free plating product number:
U12JZ47L/U12JZ47AL

PIN CONFIGURATION

PIN	PIN NAME	DESCRIPTION
1	MT1	Terminal 1
2	MT2	Terminal 2
3	Gate	Gate Terminal

www.DataSheet4U.com

ORDERING INFORMATION

Ordering Number		Package	Packing
Pn/Sn	Lead free		
U12JZ47-TF3-T	U12JZ47L-TF3-T	TO-220F	Tube
U12JZ47A-TF3-T	U12JZ47AL-TF3-T		

■ ABSOLUTE MAXIMUM RATINGS

PARAMETER		SYMBOL	RATINGS	UNIT
Repetitive Peak Off-State Voltage and Repetitive Peak Reverse Voltage	U12JZ47-4	V_{DRM}	400	V
	U12JZ47A-4			
	U12JZ47-6		600	
	U12JZ47A-6			
RMS On-State Current (Commercial Frequency, Full Sine Waveform $T_C = 72^\circ\text{C}$)		$I_{T(RMS)}$	12	A
Peak One Cycle Surge On-State Current (Non-Repetitive)	50Hz	I_{TSM}	120	A
	60Hz		132	
I^2t Limit Value		I^2t	72	A^2s
Critical Rate of Rise of On-State Current (Note *)		di / dt	50	$\text{A}/\mu\text{s}$
Peak Gate Power Dissipation		P_{GM}	5	W
Average Gate Power Dissipation		$P_{G(AV)}$	0.5	V
Peak Gate Voltage		V_{GM}	10	V
Peak Gate Current		I_{GM}	2	A
Junction Temperature		T_J	125	$^\circ\text{C}$
Storage Temperature Range		T_{STG}	-40 ~ +150	$^\circ\text{C}$
Isolation Voltage (AC, t = 1min.)		V_{ISOL}	1500	V

Note: * di/dt test condition $V_{DM}=0.5 \times \text{Rated}$, $I_{TM} \leq 17\text{A}$, $t_{gw} \geq 10\mu\text{s}$, $t_{gr} \leq 250\text{ns}$, $igp = I_{GT} \times 2.0$.

■ ELECTRICAL CHARACTERISTICS ($T_a = 25^\circ\text{C}$, unless otherwise specified)

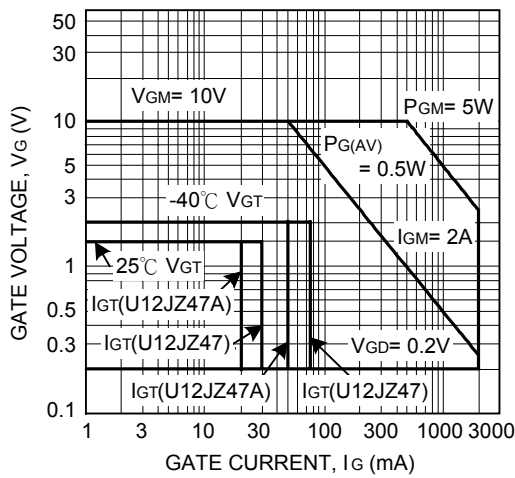
PARAMETER		SYMBOL	TEST CONDITIONS	MIN	TYP	MAX	UNIT	
Gate Trigger Voltage	I	V_{GT}	$V_D = 12\text{V}$ $R_L = 20\Omega$			1.5	V	
	II							
	III							
	IV							
Gate Trigger Current	U12JZ47	I_{GT}	$V_D = 12\text{V}$ $R_L = 20\Omega$			30	mA	
								II
								III
								IV
	U12JZ47A					I		20
						II		20
						III		20
						IV		
Peak On-State Voltage		V_{TM}	$I_{TM} = 17\text{A}$			1.5	V	
Gate Non-Trigger Voltage		V_{GD}	$V_D = \text{Rated}$, $T_c = 125^\circ\text{C}$	0.2			V	
Repetitive Peak Off-State Current		I_{DRM}	$V_{DRM} = \text{Rated}$			20	μA	
Holding Current		I_H	$V_D = 12\text{V}$, $I_{TM} = 1\text{A}$			50	mA	
Critical Rate of Rise of Off-State Voltage	U12JZ47	dv / dt	$V_{DRM} = \text{Rated}$, $T_j = 125^\circ\text{C}$ Exponential Rise		300		$\text{V}/\mu\text{s}$	
	U12JZ47A							200
Critical Rate of Rise of Off-State Voltage at Commutation	U12JZ47	$(dv / dt)_c$	$V_{DRM} = 400\text{V}$, $T_j = 125^\circ\text{C}$ $(di / dt)_c = -6.5\text{A} / \text{ms}$		10		$\text{V}/\mu\text{s}$	
	U12JZ47A							4

■ THERMAL DATA

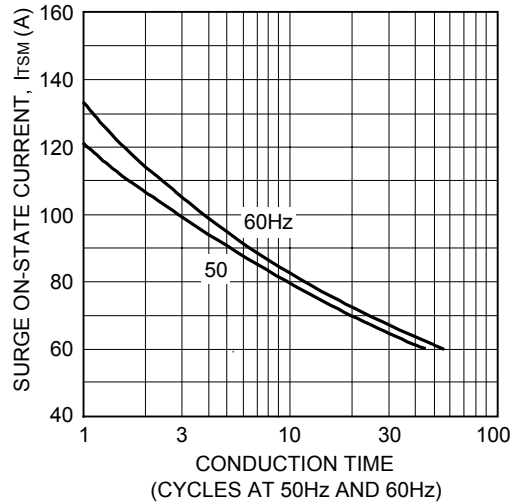
PARAMETER	SYMBOL	RATINGS	UNIT
Thermal Resistance Junction to Case	TO-220F θ_{Jc}	3	$^\circ\text{C}/\text{W}$

■ TYPICAL CHARACTERISTICS

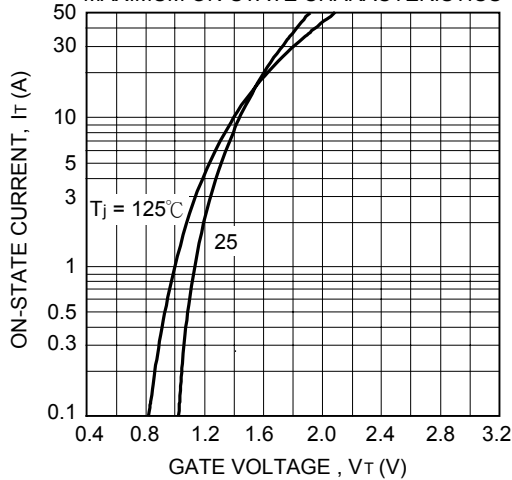
GATE TRIGGER CHARACTERISTIC



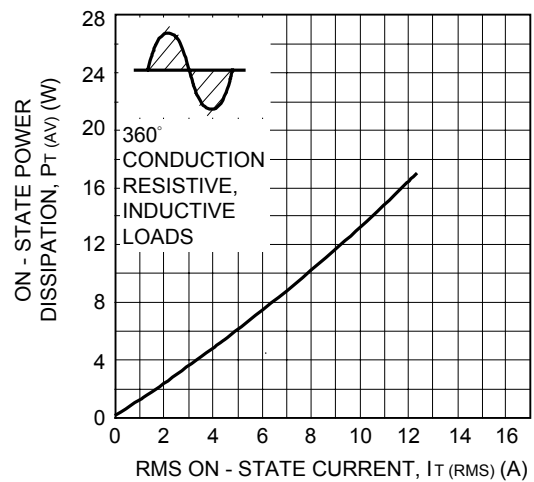
RATED SURGE ON - STATE CURRENT



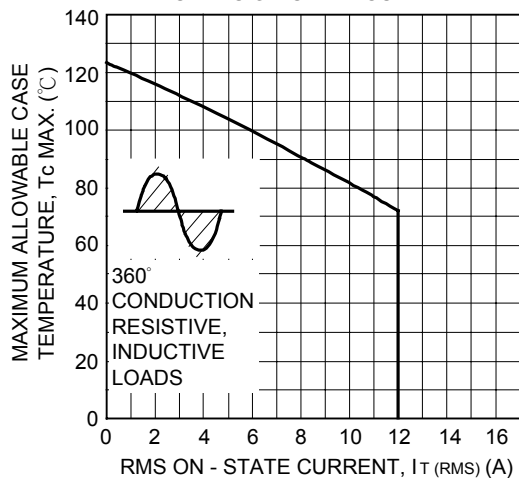
MAXIMUM ON-STATE CHARACTERISTICS



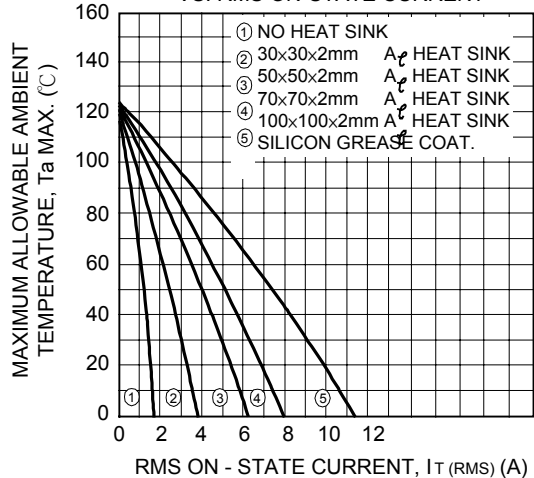
MAXIMUM ON-STATE POWER DISSIPATION



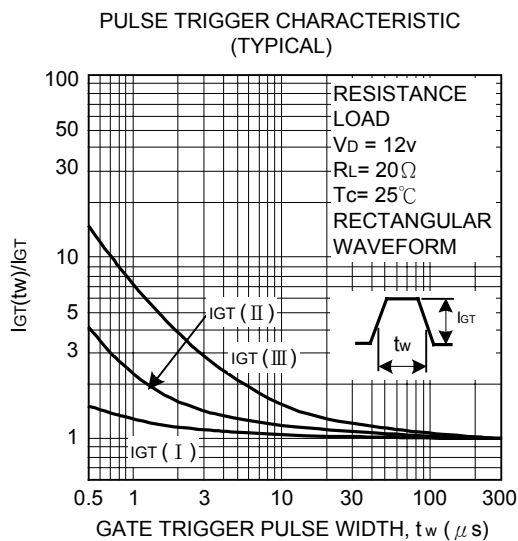
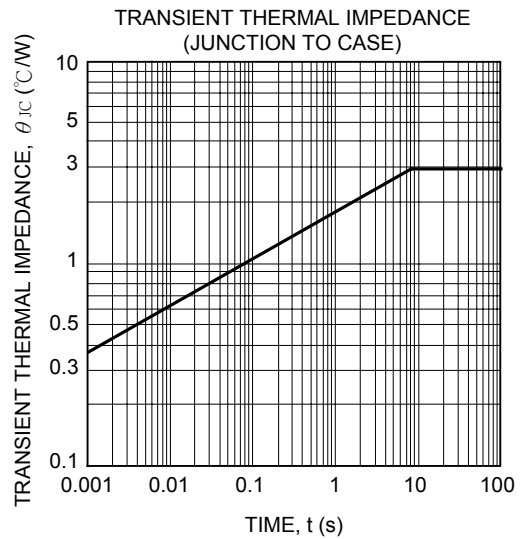
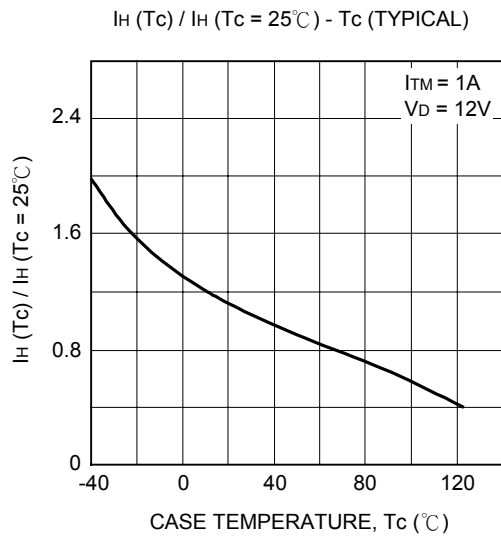
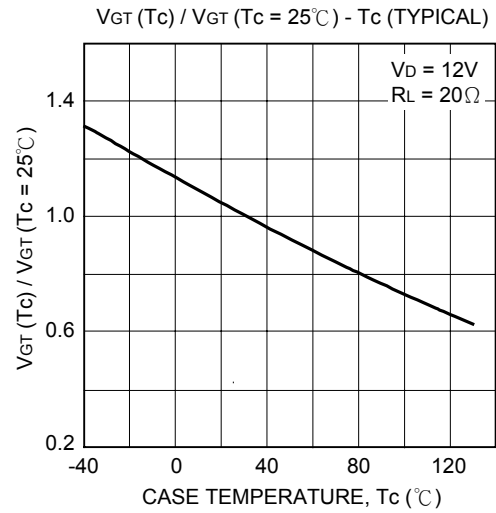
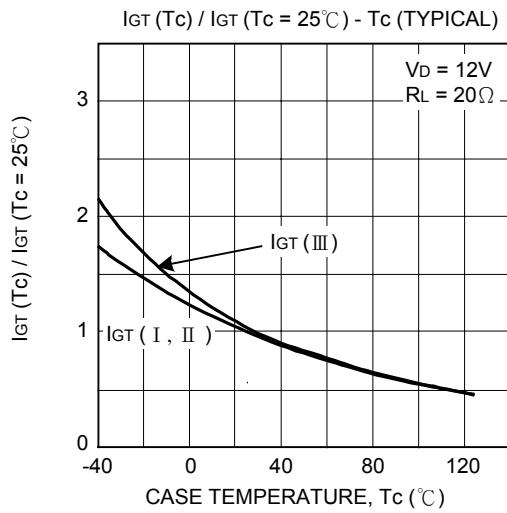
ALLOWABLE CASE TEMPERATURE VS. RMS ON-STATE CURRENT



ALLOWABLE AMBIENT TEMPERATURE VS. RMS ON-STATE CURRENT



■ TYPICAL CHARACTERISTICS (Cont.)



UTC assumes no responsibility for equipment failures that result from using products at values that exceed, even momentarily, rated values (such as maximum ratings, operating condition ranges, or other parameters) listed in products specifications of any and all UTC products described or contained herein. UTC products are not designed for use in life support appliances, devices or systems where malfunction of these products can be reasonably expected to result in personal injury. Reproduction in whole or in part is prohibited without the prior written consent of the copyright owner. The information presented in this document does not form part of any quotation or contract, is believed to be accurate and reliable and may be changed without notice.