



Pb Free Plating Product

U1620RG thru U1660RG

16 Ampere Surface Mount Common Anode Ultra Fast Recovery Rectifier

**Feature**

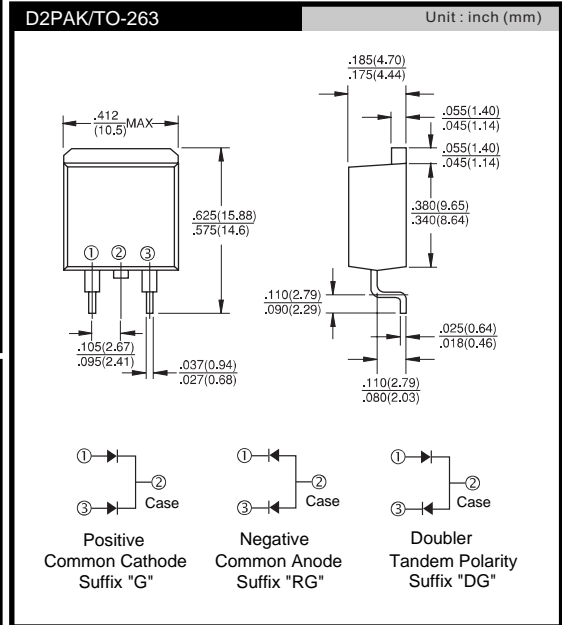
- \* Fast switching for high efficiency
- \* Low forward voltage drop
- \* High current capability
- \* Low reverse leakage current
- \* High surge current capability

**Application**

- \* Automotive Inverters/Solar Inverters
- \* Plating Power Supply, Adaptor, SMPS and UPS
- \* Car Audio Amplifiers and Sound Device System

**Mechanical Data**

- \* Case: TO-263/D2PAK pkg case
- \* Epoxy: UL 94V-0 rate flame retardant
- \* Terminals: Solderable per MIL-STD-202 method 208
- \* Polarity: As marked on diode body
- \* Mounting position: Any
- \* Weight: 2.0 gram approximately



**MAXIMUM RATINGS AND ELECTRICAL CHARACTERISTICS**

Rating at 25°C ambient temperature unless otherwise specified.  
 Single phase, half wave, 60Hz, resistive or inductive load.  
 For capacitive load, derate current by 20%.

	SYMBOL	U1620RG	U1640RG	U1660RG	UNIT
Maximum Recurrent Peak Reverse Voltage	VRRM	200	400	600	V
Maximum RMS Voltage	VRMS	140	280	420	V
Maximum DC Blocking Voltage	VDC	200	400	600	V
Maximum Average Forward Rectified Current Tc=100°C	IF(AV)	16.0			A
Peak Forward Surge Current, 8.3ms single Half sine-wave superimposed on rated load (JEDEC method)	IFSM	175	150		A
Maximum Instantaneous Forward Voltage @ 8.0 A	VF	0.98	1.3	1.7	V
Maximum DC Reverse Current @TJ=25°C	IR	10.0			uA
At Rated DC Blocking Voltage @TJ=125°C		250			uA
Maximum Reverse Recovery Time (Note 1)	Trr	35			nS
Typical junction Capacitance (Note 2)	CJ	90			pF
Typical Thermal Resistance (Note 3)	RθJC	2.2			°C/W
Operating Junction and Storage Temperature Range	TJ, TSTG	-55 to + 150			°C

NOTES : (1) Reverse recovery test conditions IF = 0.5A, R = 1.0A, Irr = 0.25A.  
 (2) Measured at 1.0 MHz and applied reverse voltage of 4.0 Volts DC.  
 (3) Thermal Resistance junction to case.

FIG.1 - FORWARD CURRENT DERATING CURVE

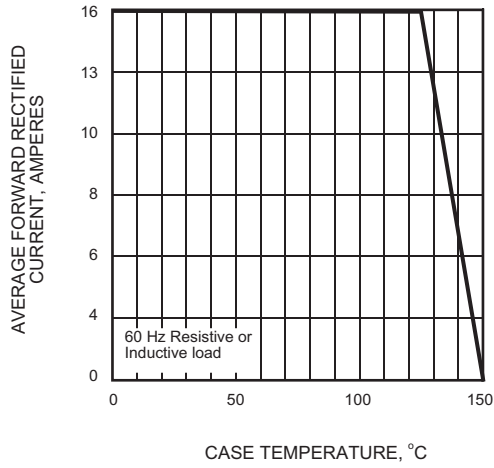


FIG.2 - MAXIMUM NON-REPETITIVE PEAK FORWARD SURGE CURRENT

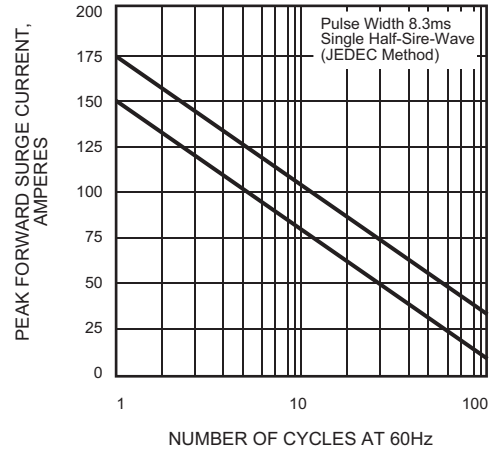


FIG.3 - TYPICAL INSTANTANEOUS FORWARD CHARACTERISTICS

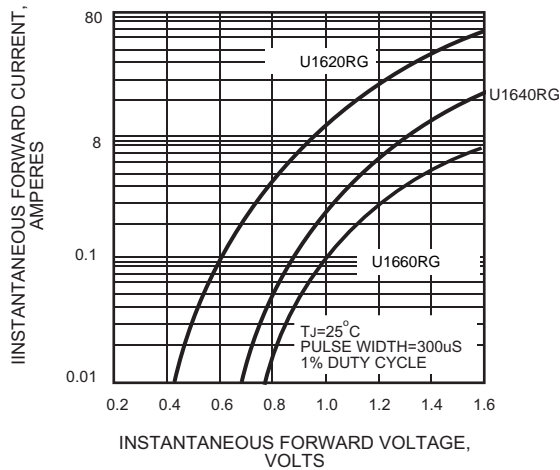


FIG.4 - TYPICAL REVERSE CHARACTERISTICS

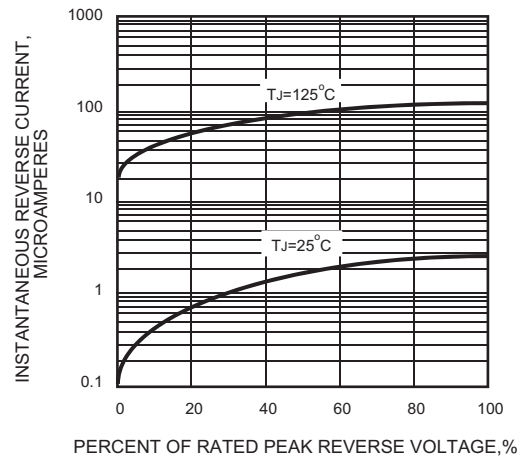


FIG.5 - TYPICAL JUNCTION CAPACITANCE

