

## Zero-Voltage Switch with adjustable Ramp

### Description

The integrated circuit, U217B, is designed as a zero-voltage switch in bipolar technology. It is used to control resistive loads at mains by a triac in zero-crossing mode.

A ramp generator allows power control function by period group control, whereas full-wave logic guarantees that full mains cycles are used for load switching.

### Features

- Direct supply from the mains
- Current consumption  $\leq 0.5$  mA
- Very few external components
- Full-wave drive – no DC current component in the load circuit
- Negative output current pulse typ. 100 mA – short-circuit protected

- Simple power control
- Ramp generator
- Reference voltage

### Applications

- Full-wave power control
- Temperature regulation
- Power blinking switch

### Block Diagram

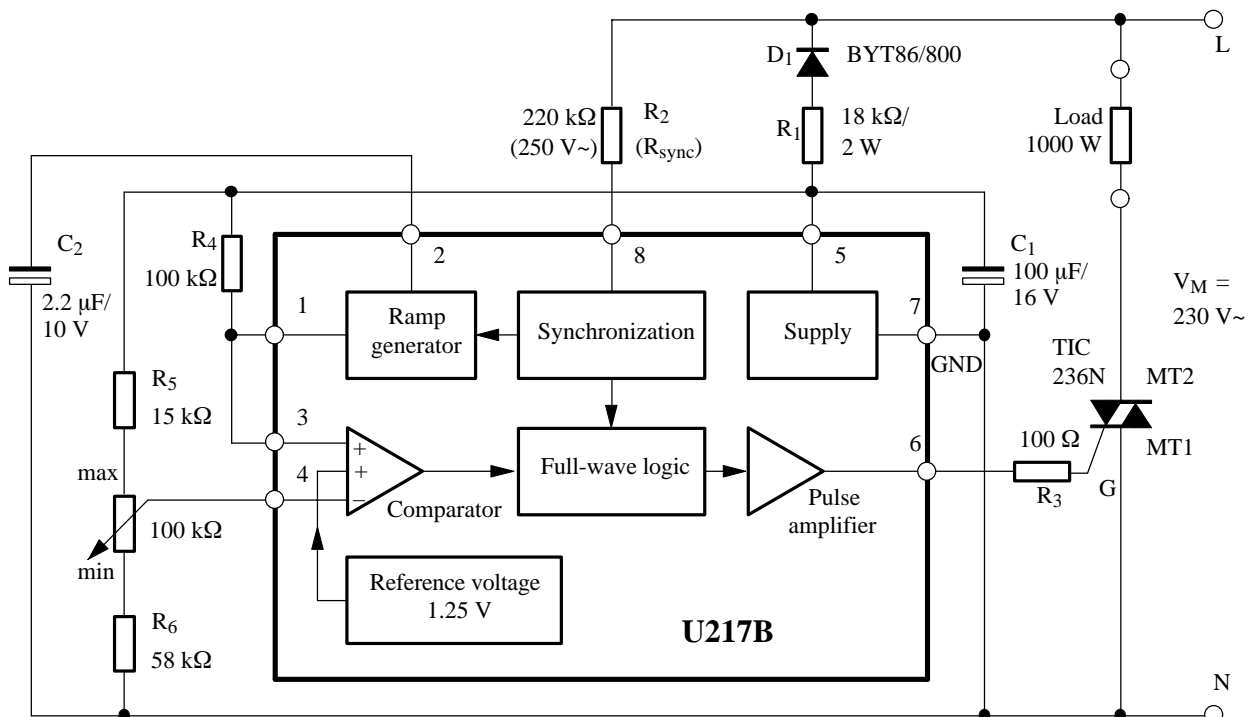


Figure 1. Block diagram with typical circuit, period group control 0 to 100%

### Order Information

Extended Type Number	Package	Remarks
U217B-x	DIP8	Tube
U217B-xFP	SO8	Tube
U217B-xFPG3	SO8	Taped and reeled

## Pin Description

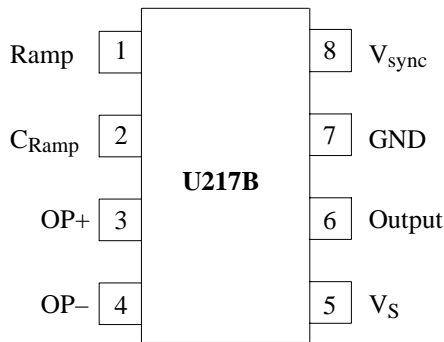


Figure 2. Pinning

Pin	Symbol	Function
1	Ramp	Ramp output
2	CRamp	Ramp capacitor
3	OP+	OP non-inverting input
4	OP-	OP inverting input
5	VS	Supply voltage
6	Output	Trigger pulse output
7	GND	Ground
8	Vsync	Voltage synchronization

## General Description

The integrated circuit U217B is a triac controller for zero-crossing mode. It is designed to control power in switching resistive loads of mains supplies.

Information regarding supply sync. is provided at Pin 8 via resistor  $R_{Sync}$ .

To avoid DC load on the mains, the full-wave logic guarantees that complete mains cycles are used for load switching.

A fire pulse is released when the inverted input of the comparator is negative (Pin 4) with respect to the non-inverted input (Pin 3) and internal reference voltage. A ramp generator with free selectable duration can be performed by capacitor  $C_2$  at Pin 2. The ramp function is used for open-loop control (figure 4), but also for application with proportional band regulation (figure 11). Ramp voltage available at capacitor  $C_2$  is decoupled across the emitter follower at Pin 1. To maintain the lamp flicker specification, ramp duration is adjusted according to the controlling load. In practice, interference should be avoided (temperature control). Therefore, a two-point control is preferred to proportional control. One can use internal reference voltage for simple applications. In that case, Pin 3 is inactive and connected to Pin 7 (GND), see figure 13.

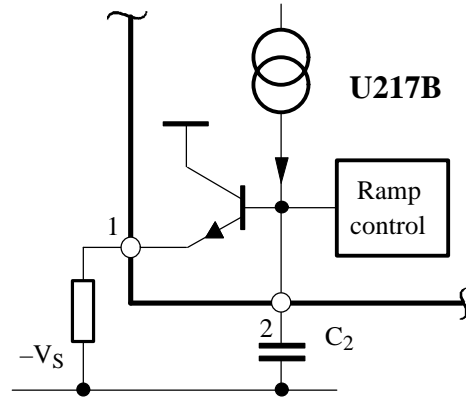


Figure 3. Pin 1 internal network

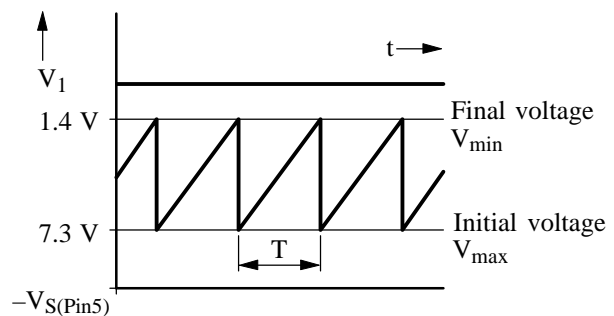


Figure 4. Threshold voltage of the ramp

## Triac Firing Current (Pulse)

This depends on the triac requirement. It can be limited with gate series resistance which is calculated as follows:

$$R_{Gmax} \approx \frac{7.5 \text{ V} - V_{Gmax}}{I_{Gmax}} - 36 \Omega$$

$$I_p = \frac{I_{Gmax}}{T} \times t_p$$

where:

- $V_G$  = Gate voltage
- $I_{Gmax}$  = Maximum gate current
- $I_p$  = Average gate current
- $t_p$  = Firing pulse width
- $T$  = Mains period duration

## Firing Pulse Width $t_p$ (Figure 5)

This depends on the latching current of the triac and its load current. The firing pulse width is determined by the zero-crossing identification which can be influenced with the help of sync. resistance,  $R_{sync}$ , (figure 6).

$$t_p = \frac{2}{\omega} \arcsin\left(\frac{I_L \times V_M}{P \sqrt{2}}\right)$$

whereby:

- $I_L$  = Latching current of the triac
- $V_M$  = Mains supply, effective
- $P$  = Power load (user's power)

Total current consumption is influenced by the firing pulse width which can be calculated as follows:

$$R_{sync} = \frac{V_M \sqrt{2} \sin(\omega \times \frac{t_p}{2}) - 0.6 \text{ V}}{3.5 \times 10^{-5} \text{ A}} - 49 \text{ k}\Omega$$

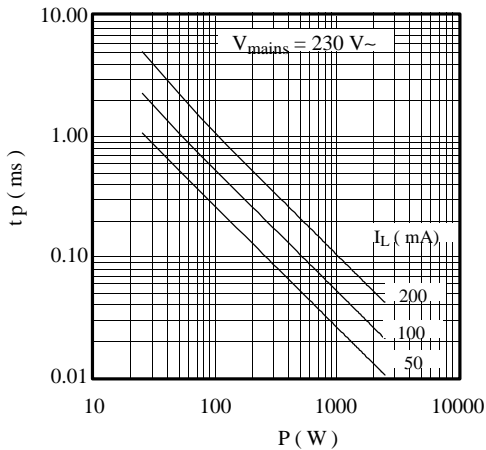


Figure 5. Output pulse width

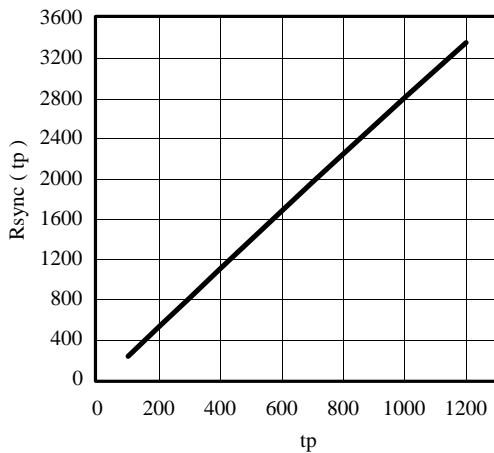


Figure 6. Synchronization resistance

## Supply Voltage

The integrated circuit U217B (which also contains internal voltage limiting) can be connected via the diode ( $D_1$ ) and the resistor ( $R_1$ ) with the mains supply. An internal clamp circuit limits the voltage between Pin 5 and 7 to a typical value of 9.25 V.

The series resistance  $R_1$  can be calculated (figures 7 and 8) as follows:

$$R_{1max} = 0.85 \frac{V_{min} - V_{Smax}}{2 I_{tot}} ; P_{(R1)} = \frac{(V_M - V_S)^2}{2 R_1}$$

$$I_{tot} = I_S + I_p + I_x$$

whereby:

- $V_M$  = Mains voltage
- $V_S$  = Limiting voltage of the IC
- $I_{tot}$  = Total current consumption
- $I_S$  = Current requirement of the IC (without load)
- $I_x$  = Current requirement of other peripheral components
- $P_{(R1)}$  = Power dissipation at  $R_1$

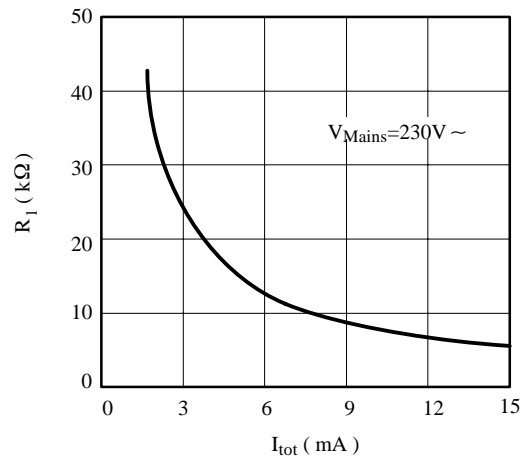


Figure 7. Maximum resistance of  $R_1$

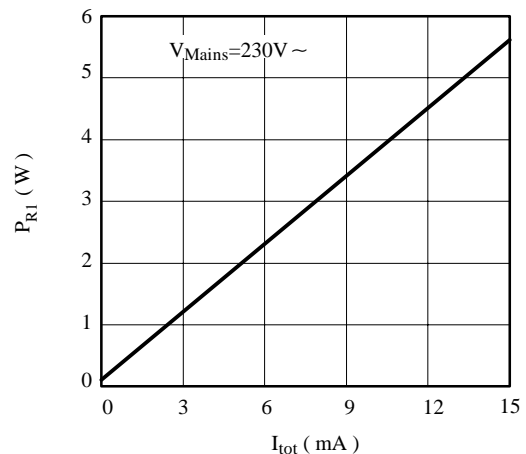


Figure 8. Power dissipation of  $R_1$  according to current consumption

## Absolute Maximum Ratings

Reference point Pin 7

Parameters	Symbol	Value	Unit
Supply current Pin 5	$-I_S$	30	mA
Sync. current Pin 8	$I_{Sync.}$	5	mA
Output current ramp generator Pin 1	$I_O$	3	mA
Input voltages Pin 1, 3, 4, 6 Pin 2 Pin 8	$-V_I$	$\leq V_S$	V
	$-V_I$	2 to $V_S$	V
	$\pm V_I$	$\leq 7.3$	V
Power dissipation $T_{amb} = 45^\circ C$ $T_{amb} = 100^\circ C$	$P_{tot}$	400	mW
	$P_{tot}$	125	mW
Junction temperature	$T_j$	125	$^\circ C$
Operating ambient temperature range	$T_{amb}$	0 to 100	$^\circ C$
Storage temperature range	$T_{stg}$	-40 to + 125	$^\circ C$

## Thermal Resistance

Parameters	Symbol	Value	Unit
Junction ambient	$R_{thJA}$	200	K/W

## Electrical Characteristics

$-V_S = 8.5$  V,  $T_{amb} = 25^\circ C$ , reference point Pin 7, unless otherwise specified

Parameters	Test Conditions / Pin	Symbol	Min.	Typ.	Max.	Unit
Supply-voltage limitation	$-I_S = 5$ mA Pin 5	$-V_S$	8.6	9.25	9.9	V
Supply current	Pin 5	$-I_S$			500	$\mu A$
Voltage limitation	$I_8 = \pm 1$ mA Pin 8	$\pm V_I$	7.5		8.7	V
Synchronous current	Pin 8	$\pm I_{sync}$	0.12			mA
Zero detector		$\pm I_{sync}$		35		$\mu A$
Output pulse width	$V_M = 230$ V $\sim$ , $R_{sync} = 220$ k $\Omega$ $R_{sync} = 470$ k $\Omega$	$t_p$		260		$\mu s$
		$t_p$		460		$\mu s$
Output pulse current	$V_6 = 0$ V Pin 6	$-I_O$	100			mA
<b>Comparator</b>						
Input offset voltage	Pin 3,4	$V_{I0}$		5	15	mV
Input bias current	Pin 4	$I_{IB}$			1	$\mu A$
Common-mode input voltage	Pin 3,4	$-V_{IC}$	1		$(V_S - 1)$	V
Threshold internal reference	$V_3 = 0$ V Pin 4	$-V_T$		1.25		V
<b>Ramp generator, Pin 1, figure 1</b>						
Period	$-I_S = 1$ mA, $I_{sync} = 1$ mA, $C_1 = 100$ $\mu F$ , $C_2 = 1$ $\mu F$ , $R_4 = 100$ k $\Omega$	$T$		1.5		s
Final voltage		$V_1$	0.9	1.40	1.80	V
Initial voltage		$V_1$	6.8	7.3	7.8	V
Charge current	$V_2 = 0$ V, $I_8 = -1$ mA Pin 2	$-I_2$	13	17	26	$\mu A$

**Applications**

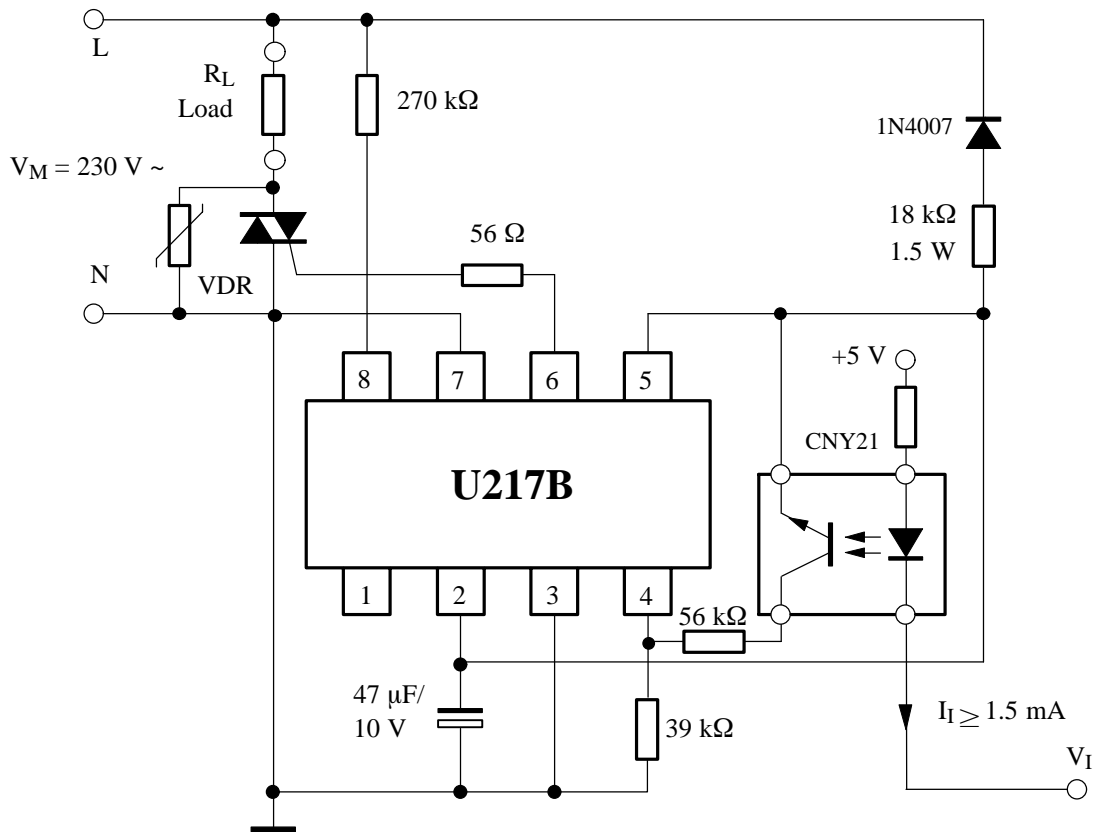


Figure 9. Power switch

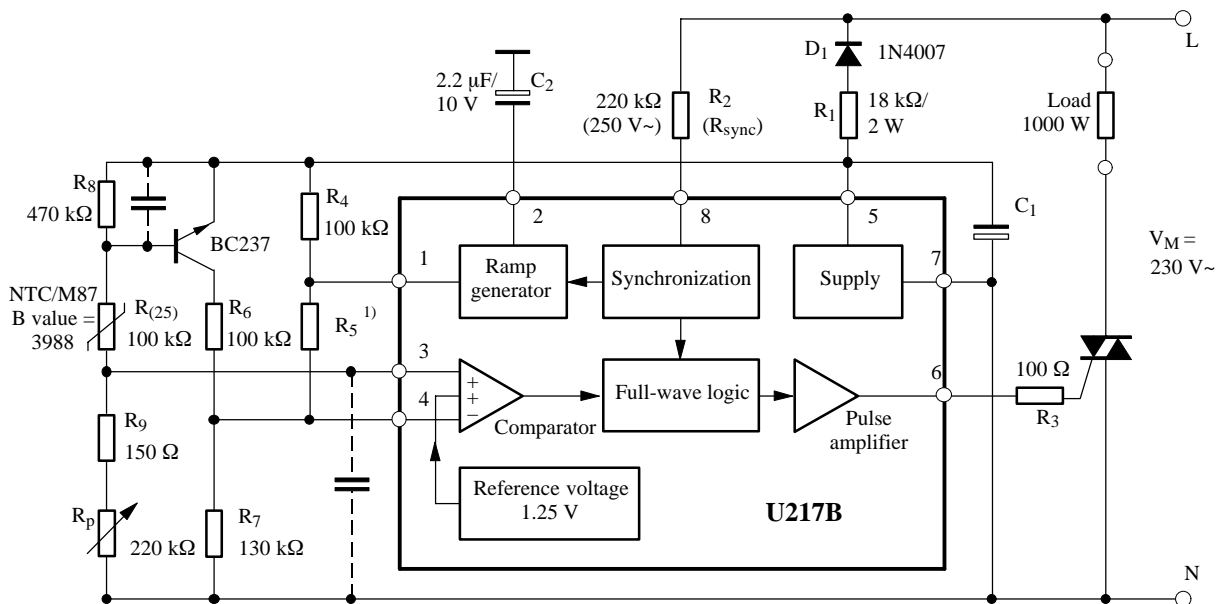


Figure 10. Temperature control 15 to 35°C with sensor monitoring

NTC-Sensor M 87 Fabr. Siemens

$$R_{(25)} = 100 \text{ k}\Omega / B = 3988 \Rightarrow R_{(15)} = 159 \text{ k}\Omega$$

$R_5^{1)}$  determines the proportional range

$$R_{(35)} = 64.5 \text{ k}\Omega$$

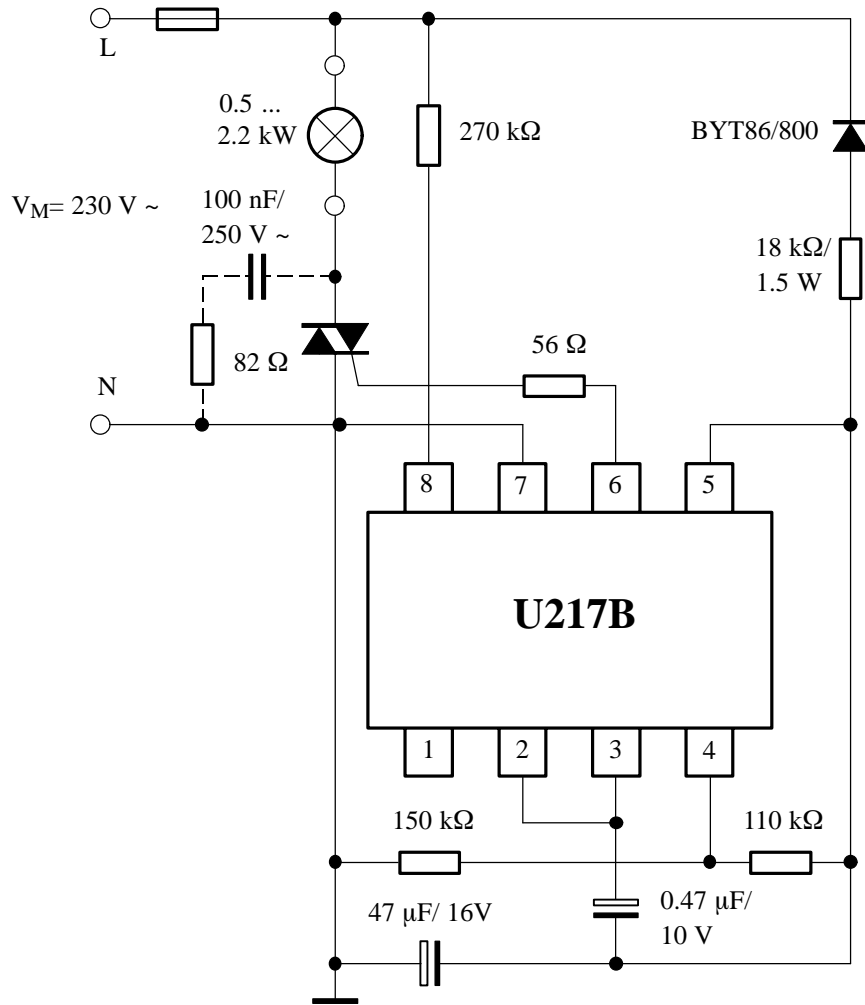


Figure 11. Power blinking switch with  $f \approx 2.7$  Hz, duty cycle 1:1, power range 0.5 to 2.2 kW

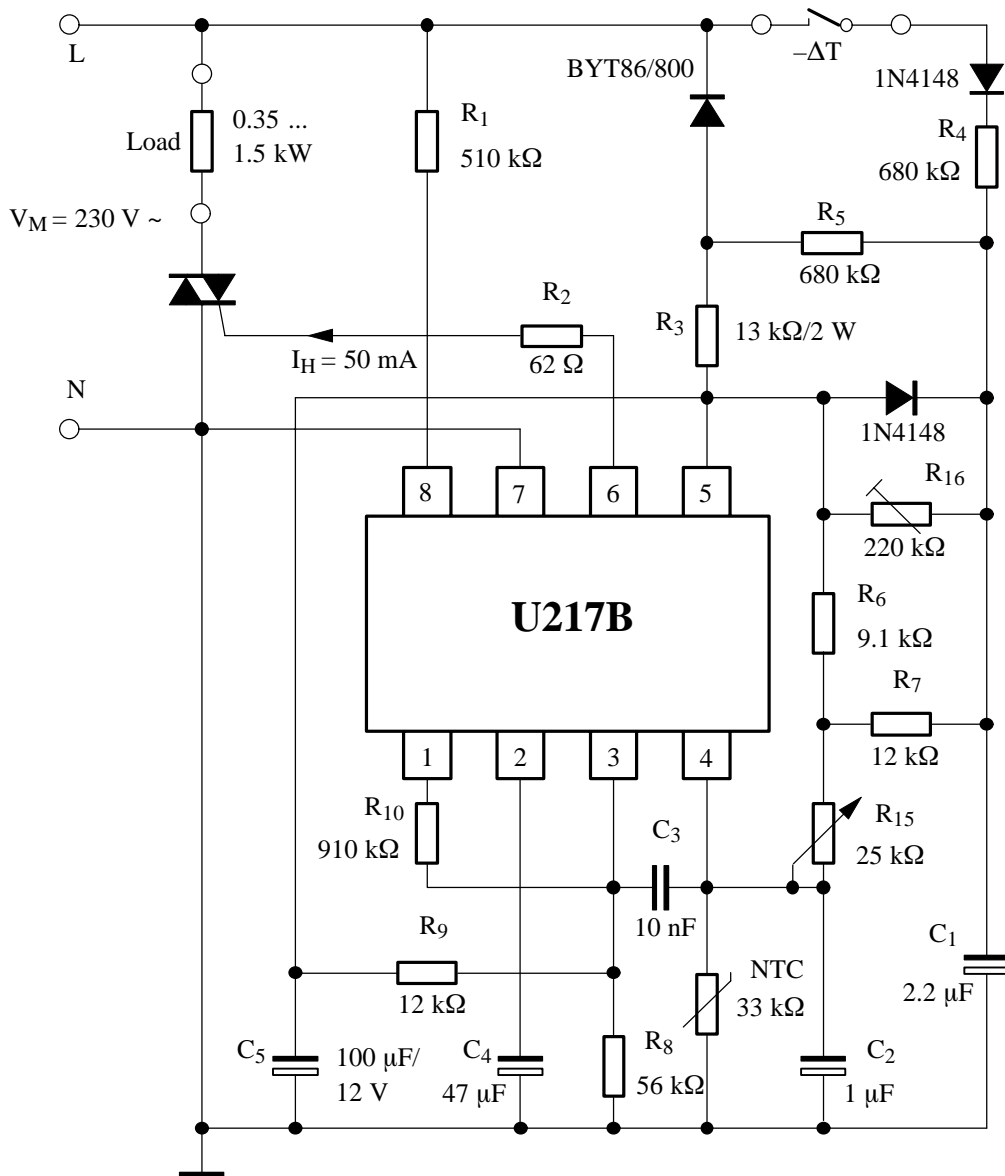


Figure 12. Room temperature control with definite reduction (remote control) for a temperature range of 5 to 30°C

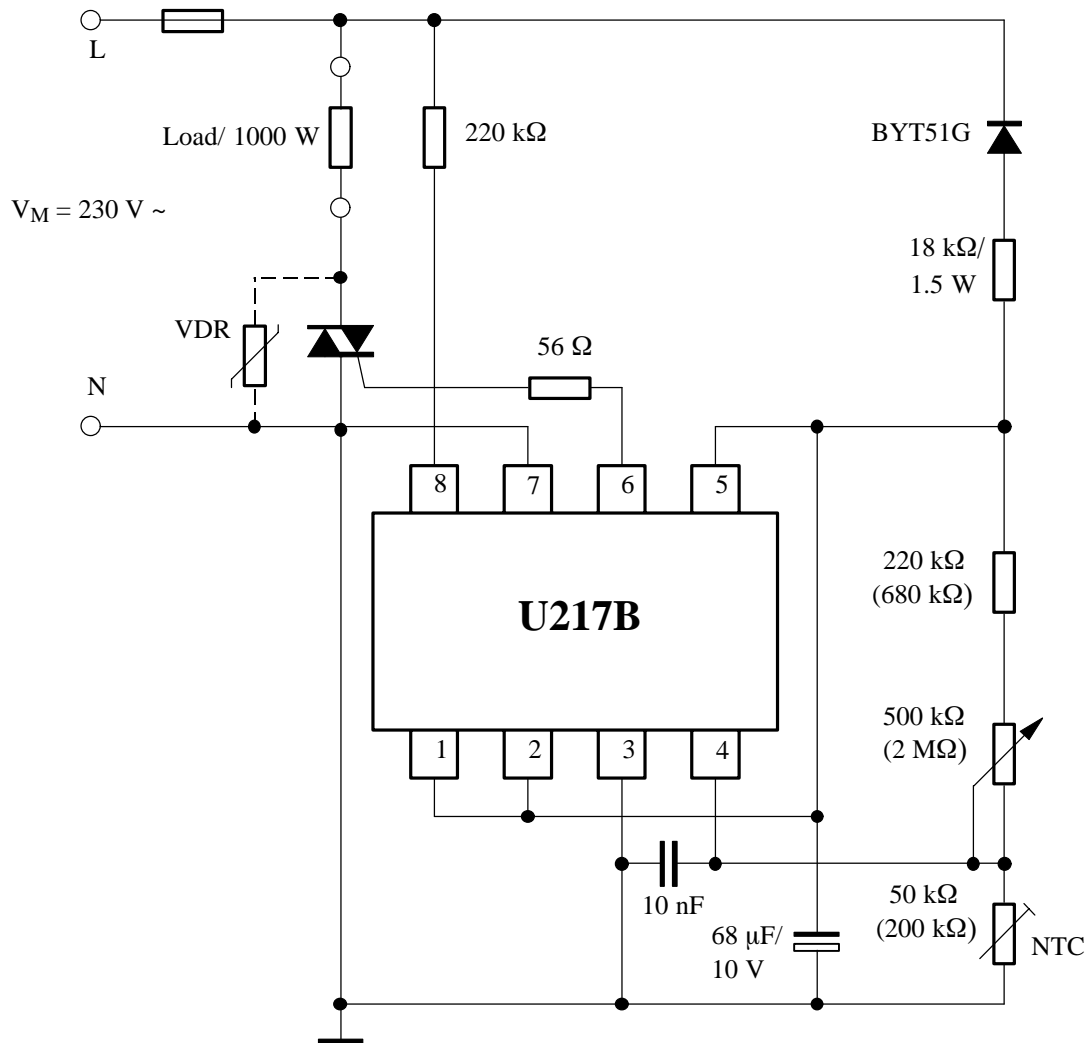


Figure 13. Two-point temperature control for a temperature range of 15 to 30°C



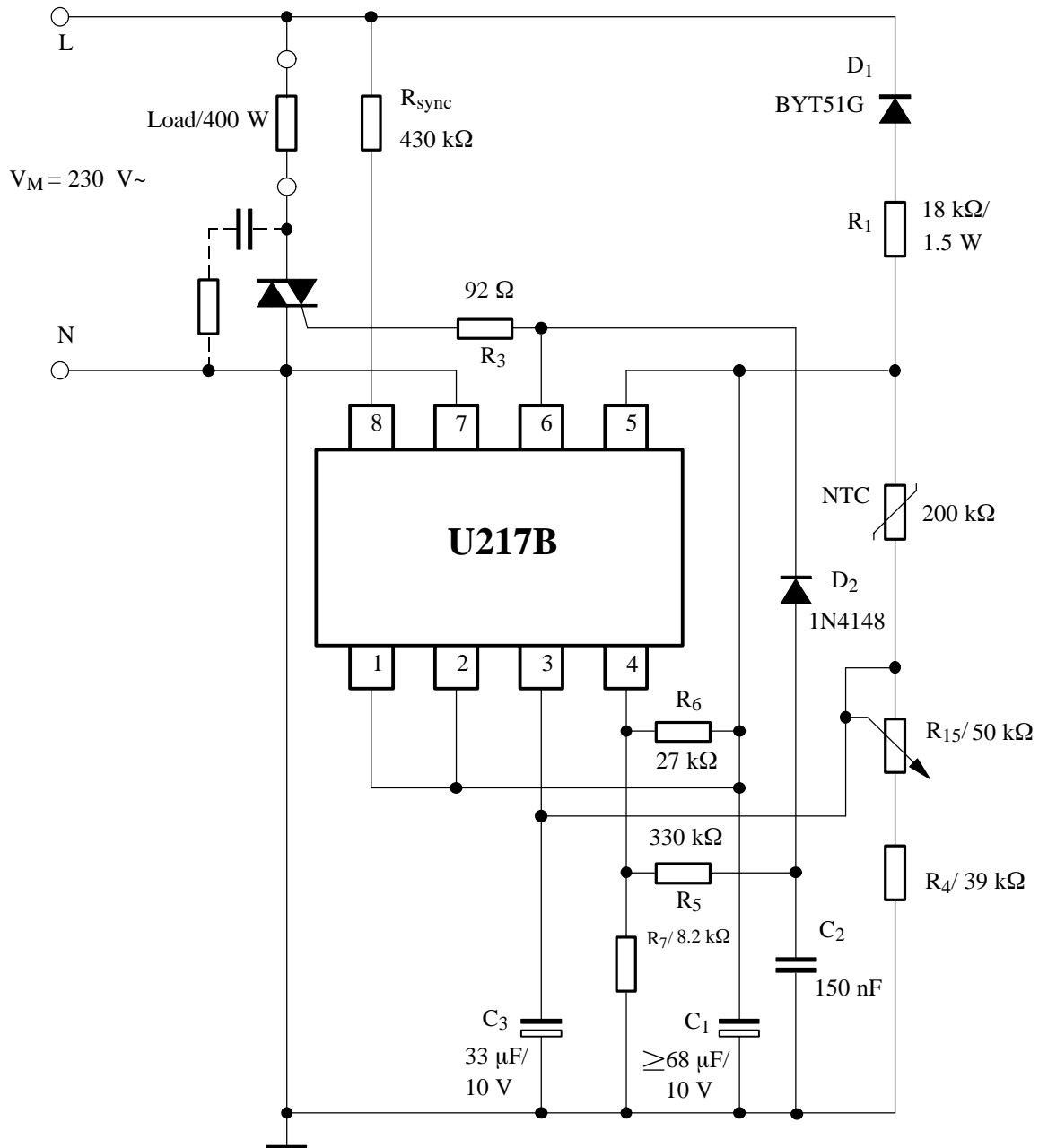
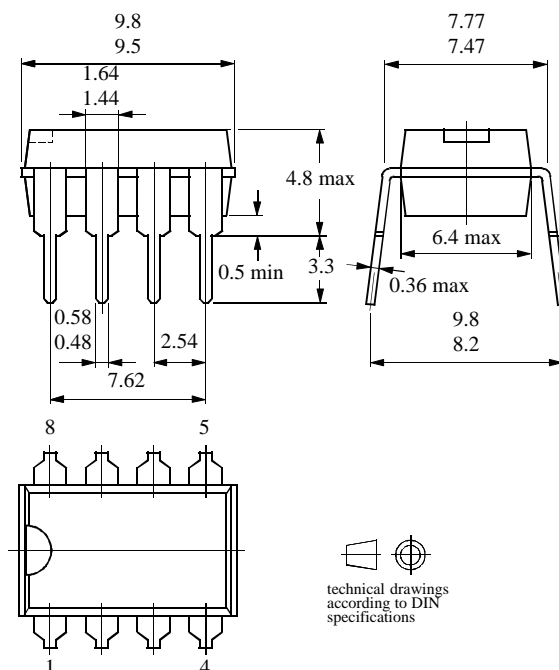


Figure 14. Two-point temperature control for a temperature range of 18 to 32°C and a hysteresis of  $\pm 0.5^\circ\text{C}$  at 25°C

## Package Information

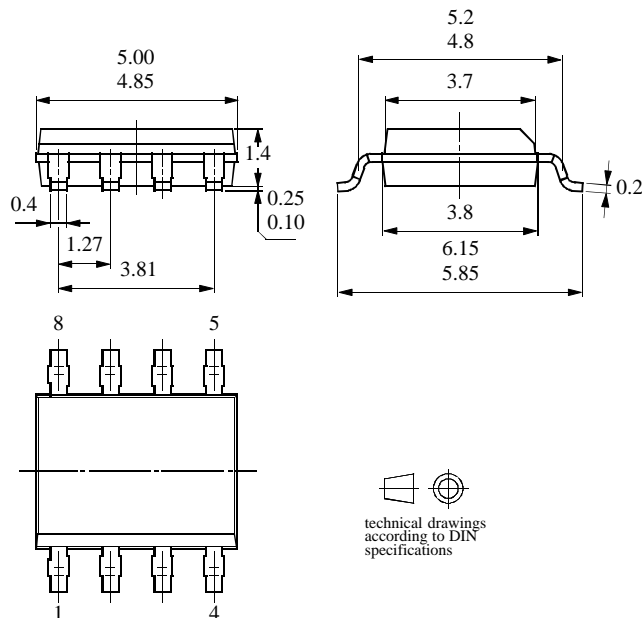
### Package DIP8

Dimensions in mm



### Package SO8

Dimensions in mm



## Ozone Depleting Substances Policy Statement

It is the policy of **Atmel Germany GmbH** to

1. Meet all present and future national and international statutory requirements.
2. Regularly and continuously improve the performance of our products, processes, distribution and operating systems with respect to their impact on the health and safety of our employees and the public, as well as their impact on the environment.

It is particular concern to control or eliminate releases of those substances into the atmosphere which are known as ozone depleting substances (ODSs).

The Montreal Protocol (1987) and its London Amendments (1990) intend to severely restrict the use of ODSs and forbid their use within the next ten years. Various national and international initiatives are pressing for an earlier ban on these substances.

**Atmel Germany GmbH** has been able to use its policy of continuous improvements to eliminate the use of ODSs listed in the following documents.

1. Annex A, B and list of transitional substances of the Montreal Protocol and the London Amendments respectively
2. Class I and II ozone depleting substances in the Clean Air Act Amendments of 1990 by the Environmental Protection Agency (EPA) in the USA
3. Council Decision 88/540/EEC and 91/690/EEC Annex A, B and C (transitional substances) respectively.

**Atmel Germany GmbH** can certify that our semiconductors are not manufactured with ozone depleting substances and do not contain such substances.

**We reserve the right to make changes to improve technical design and may do so without further notice.**

Parameters can vary in different applications. All operating parameters must be validated for each customer application by the customer. Should the buyer use Atmel Wireless & Microcontrollers products for any unintended or unauthorized application, the buyer shall indemnify Atmel Wireless & Microcontrollers against all claims, costs, damages, and expenses, arising out of, directly or indirectly, any claim of personal damage, injury or death associated with such unintended or unauthorized use.

**Data sheets can also be retrieved from the Internet: <http://www.atmel-wm.com>**

Atmel Germany GmbH, P.O.B. 3535, D-74025 Heilbronn, Germany  
Telephone: 49 (0)7131 67 2594, Fax number: 49 (0)7131 67 2423