

μA711 Series – Dual Voltage Comparator

GENERAL DESCRIPTION

The μA711 High Speed Dual Voltage Comparator features low offset voltage, high sensitivity and a wide input voltage range. It is ideal for use as a bi-directional limit detector in automatic test equipment.

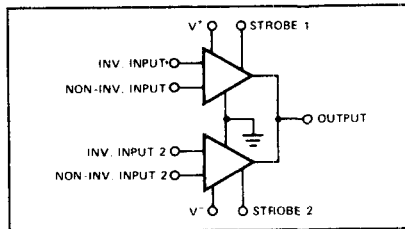
Due to fast response and strobe control capabilities the μA711 performs well as a sense amplifier in core memory systems.

The μA711 is specified over the military temperature range of -55°C to $+125^{\circ}\text{C}$. The μA711C is specified over the commercial/industrial temperature range of 0°C to $+75^{\circ}\text{C}$.

FEATURES

- Fast response—40ns
- High sensitivity— $1.5\text{V}/\text{mV}$
- Low offset voltage temperature coefficient— $5\mu\text{V}/^{\circ}\text{C}$
- High input voltage range— $\pm 5.0\text{V}$
- Mil std 883 A, B, C available

LOGIC DIAGRAM

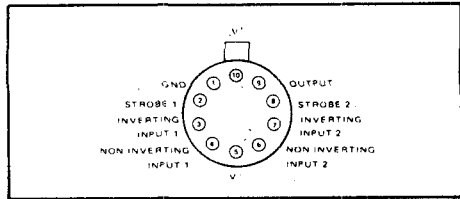


MAXIMUM RATINGS

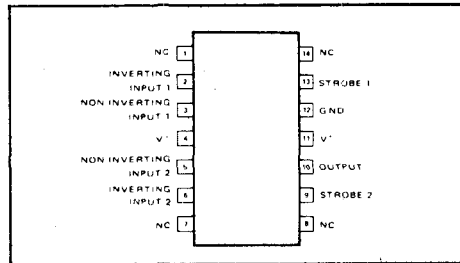
PARAMETER	RATING	UNIT
Positive supply voltage	+14.0	V
Negative supply voltage	-7.0	V
Peak output current	50	mA
Differential input voltage	± 5.0	V
Internal power dissipation	300	mW
Operating temperature range		
μA711	-55 to +125	$^{\circ}\text{C}$
μA711C	0 to +75	$^{\circ}\text{C}$
Storage temperature range	-65 to +150	$^{\circ}\text{C}$
Lead temperature (soldering, 60sec.)	300	$^{\circ}\text{C}$

CONNECTION DIAGRAM

K PACKAGE



F,N PACKAGE

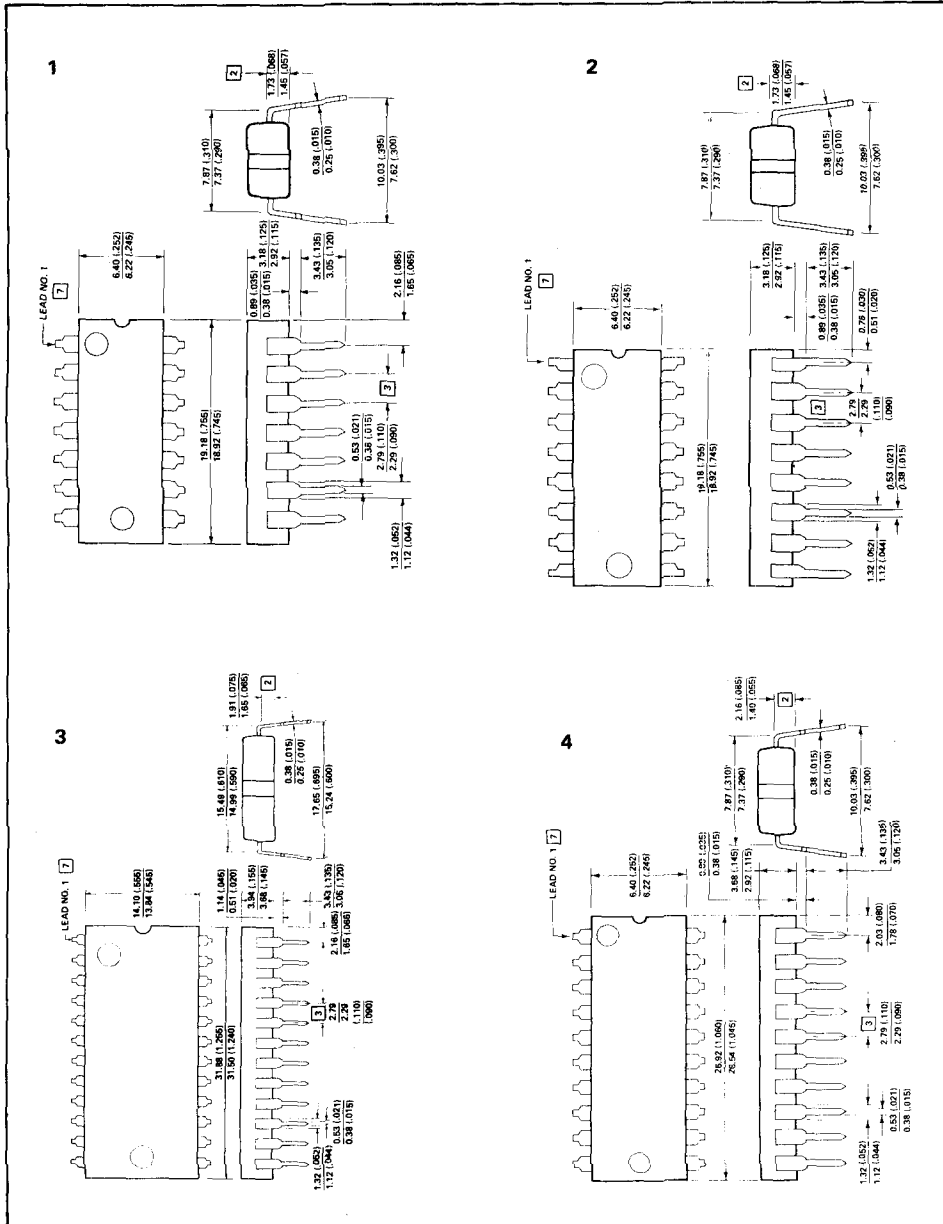


REFERENCE TABLE

TYPE NO.	STOCK NO.	OUTLINE DRWG. NO.
μA711F	56023E	1
μA711K	56024C	9
μA711CF	56025A	1
μA711CN	56026X	8
μA711CN-14	56027H	1

PLEASE QUOTE STOCK NO.
AND MANUFACTURERS PART NO. WHEN ORDERING



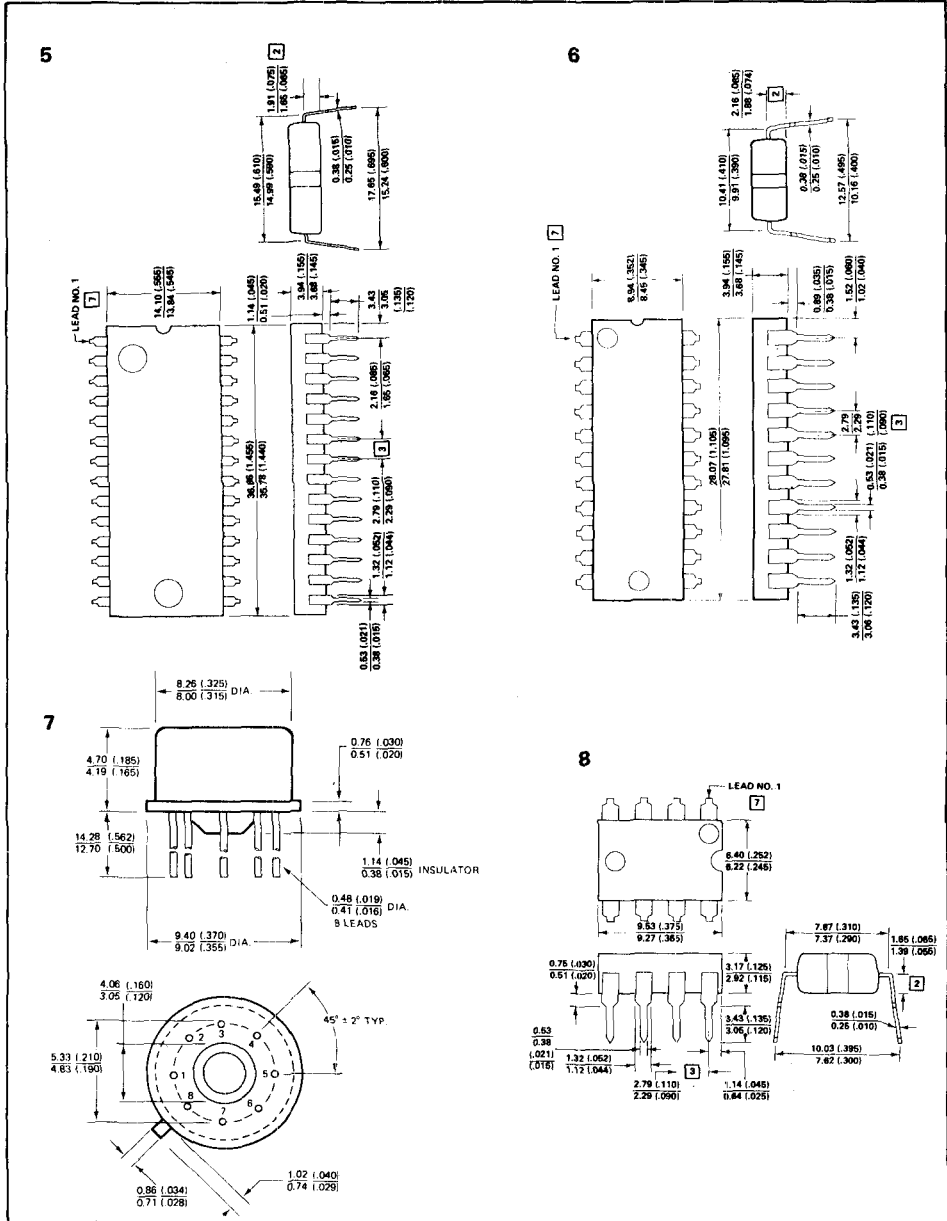


PLEASE QUOTE STOCK NO.
AND MANUFACTURERS PART NO. WHEN ORDERING



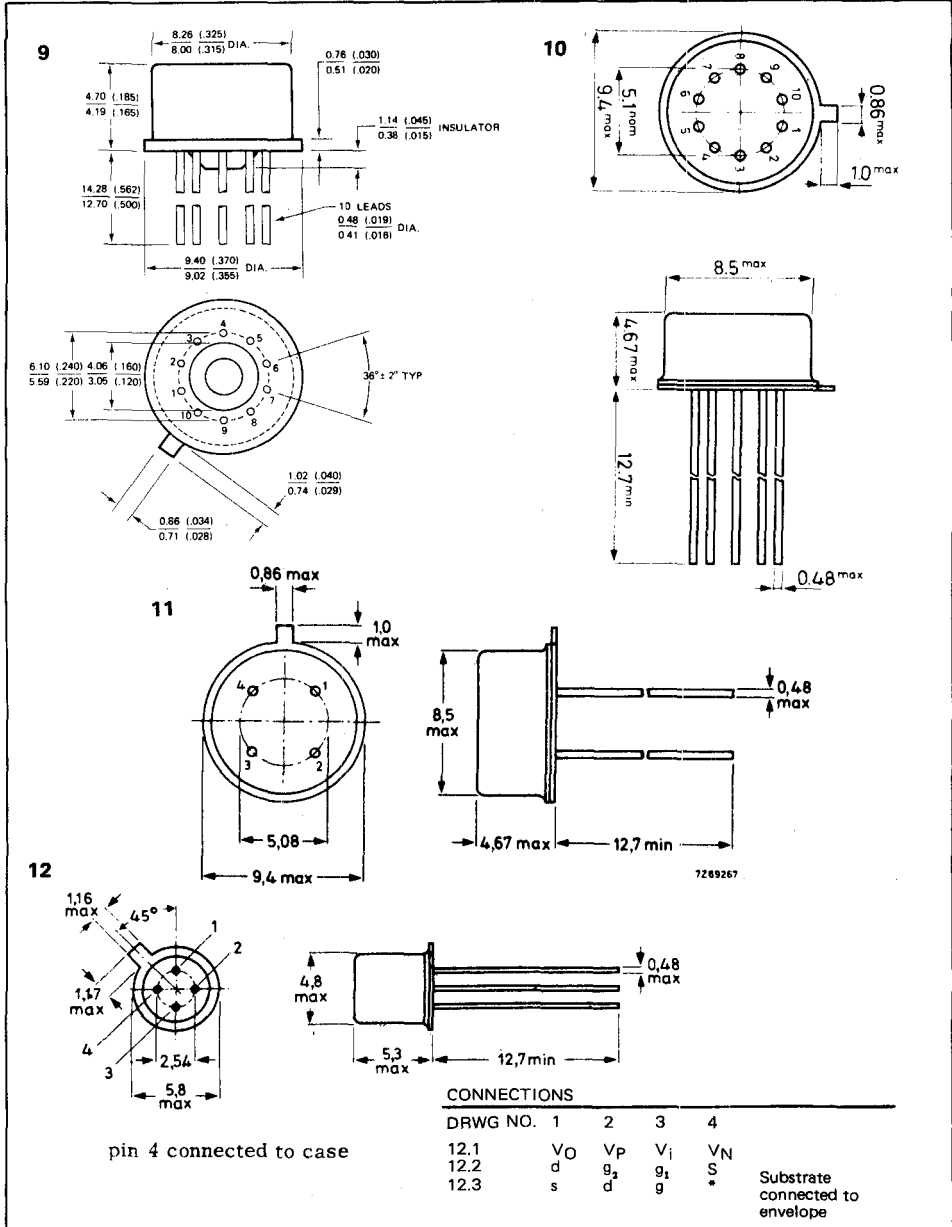
Signetics

Outline Drawings



444 GEMINI

FOR CURRENT PRICES PHONE
HARLOW (0279) 29644

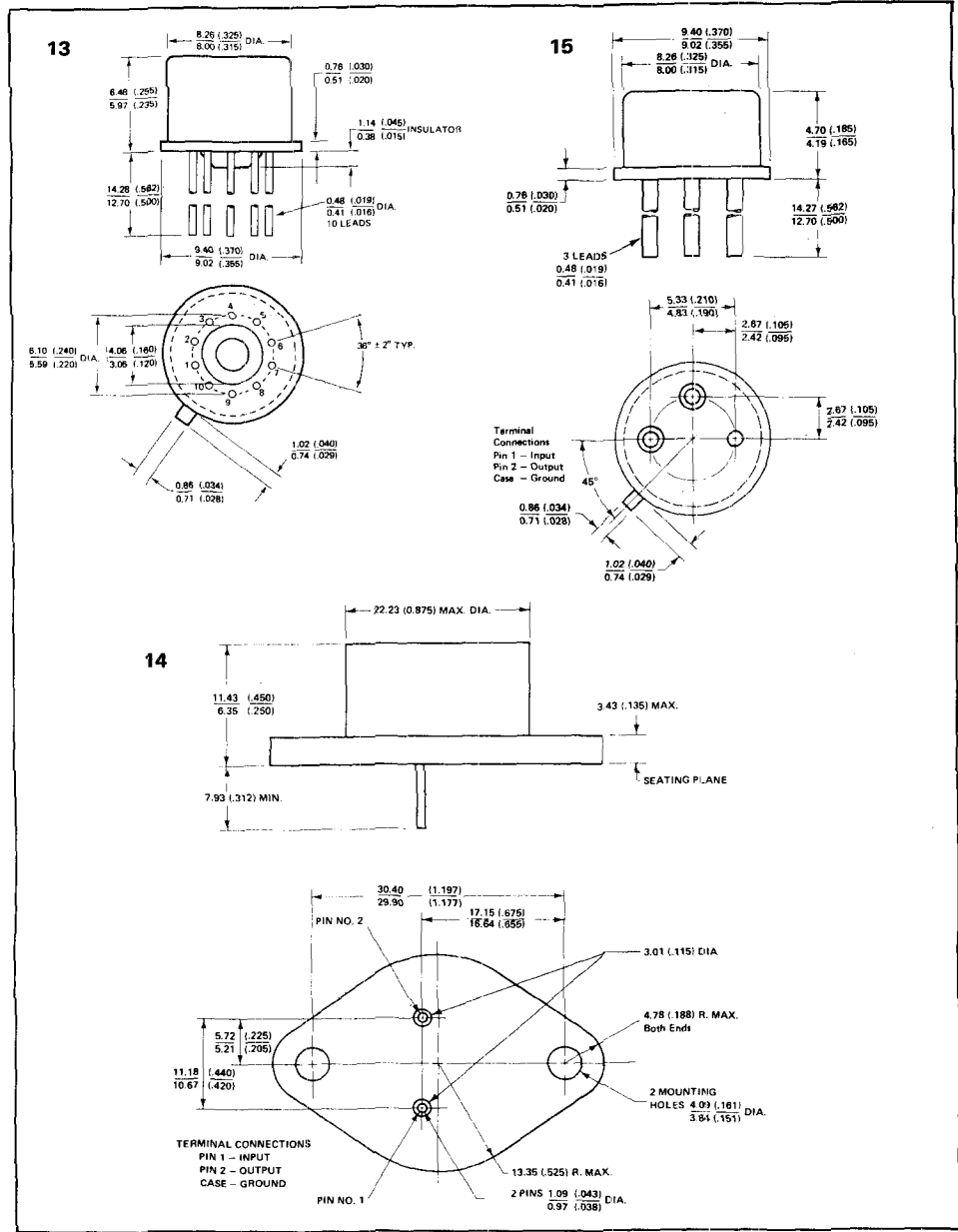


PLEASE QUOTE STOCK NO.
AND MANUFACTURERS PART NO. WHEN ORDERING

ITT GEMINI

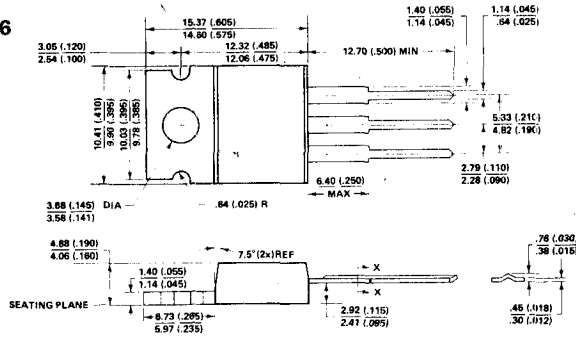
Signetics

Outline Drawings

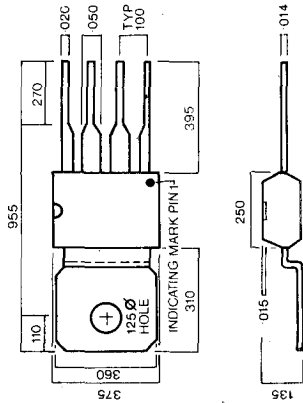


FOR CURRENT PRICES PHONE HARLOW (0279) 29644

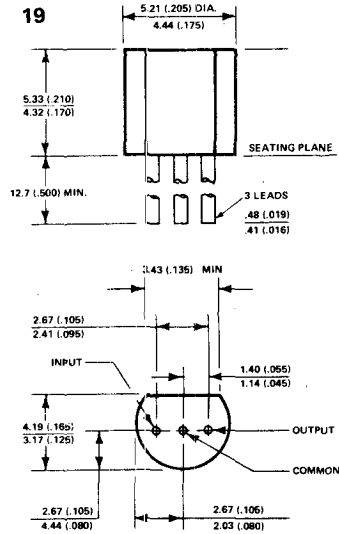
16



17



19



PLEASE QUOTE STOCK NO.
AND MANUFACTURER PART NO. WHEN ORDERING

TTT GEMINI

