

Signetics

Integrated Circuits – Voltage Regulators

μ A 79 Series – Three Terminal Negative Voltage Regulator

GENERAL DESCRIPTION

The μ A7900 series of monolithic Three-Terminal Negative Voltage Regulators employs internal current limiting, thermal shutdown and safe-area compensation, making them essentially indestructible. If adequate heat sinking is provided, they can deliver over 1A output current. They are intended as fixed-voltage complements to the μ A7800 positive regulators.

FEATURES

- Output current in excess of 1 amp
- No external components
- Internal thermal overload protection
- Internal short circuit current limiting
- Output transistor safe-area compensation
- Available in the TO-220 and the TO-3 packages
- Output voltages of -5, -5.2, -6, -8, -12, -15, -18 and -24 volts

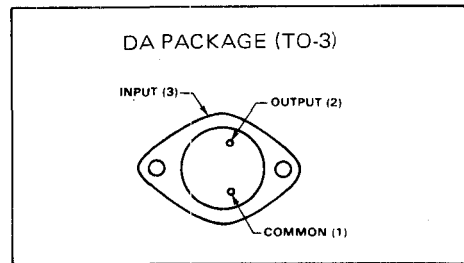
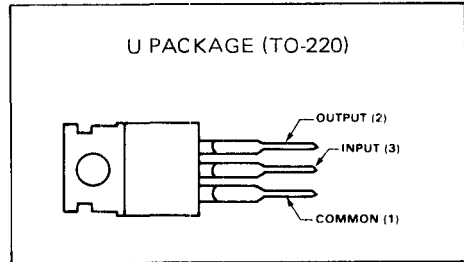
MAXIMUM RATINGS

PARAMETER	RATING	UNIT
V_{IN}	Input voltage -5V through -18V -24V	-35 -40 V
T_{stg}	Internal power dissipation ¹ Storage temperature range	Internally limited -65 to +150 °C
T_j	Operating junction temperature range ² 7900 7900C	-55 to +150 0 to +125 °C
	Lead temperature TO-3 package (soldering, 60 second time limit) TO-220 package (soldering, 10 second time limit)	300 230

NOTES

1. Thermal resistance of the packages (without a heat sink)
Junction to case: TO-3 Package 4°C/W; TO-220 Package 2°C/W.
Junction to ambient: TO-3 Package 35°C/W; TO-220 Package 50°C/W
2. Operating Ambient Temperature Range
7900 -55°C to +125°C
7900C 0°C to +85°C

CONNECTION DIAGRAM

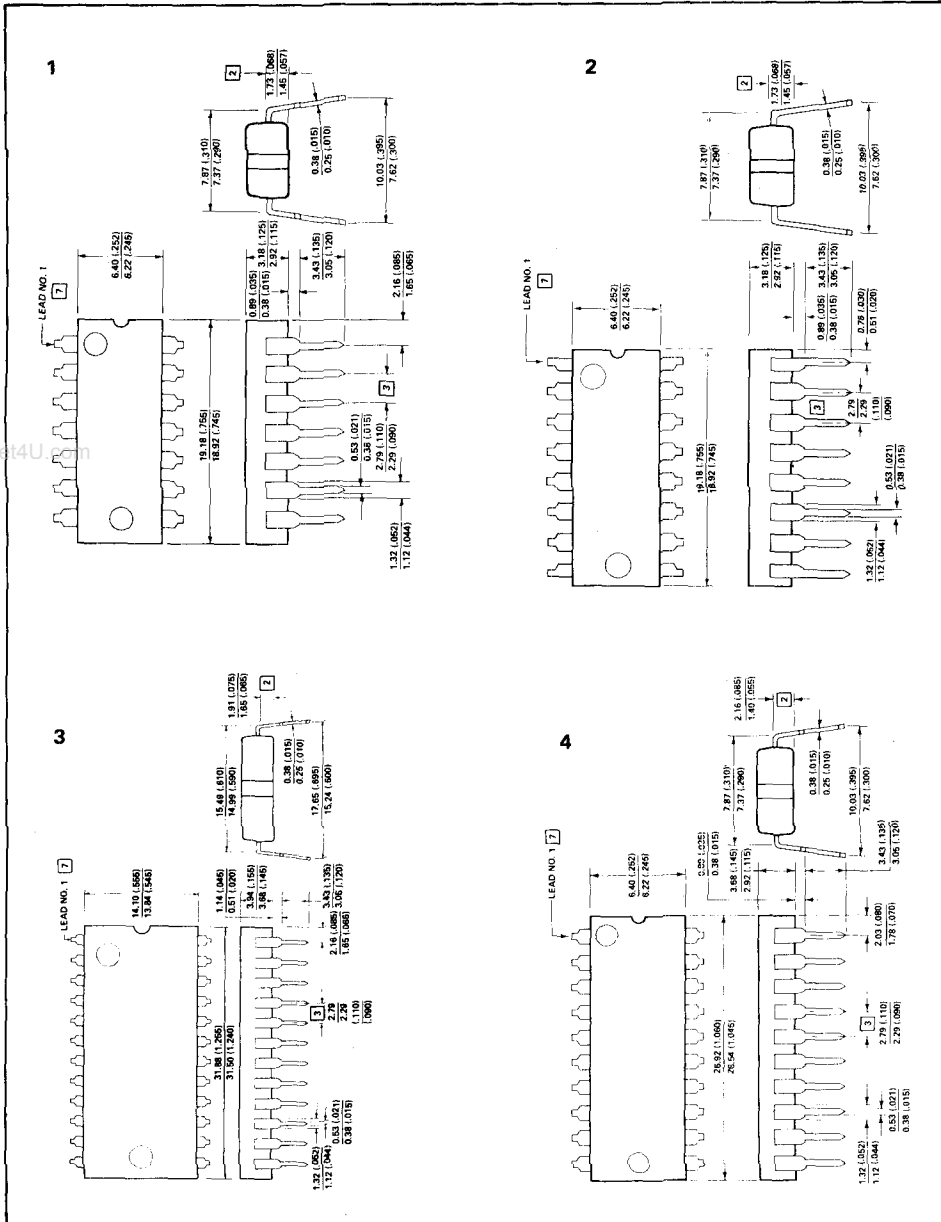


REFERENCE TABLE

TYPE NO.	STOCK NO.	OUTLINE DRWG. NO.
μ A7905CDA	56212F	14
μ A7905CU	56213D	16
μ A7906CDA	56214B	14
μ A7906CU	56215X	16
μ A7908CDA	56216R	14
μ A7908CU	56217G	16
μ A7912CDA	56218E	14
μ A7912CU	56219C	16
μ A7915CDA	56220F	14
μ A7915CU	56221D	16
μ A7918CDA	56222B	14
μ A7918CU	56223X	16
μ A7924CDA	56224R	14
μ A7924CU	56225G	16

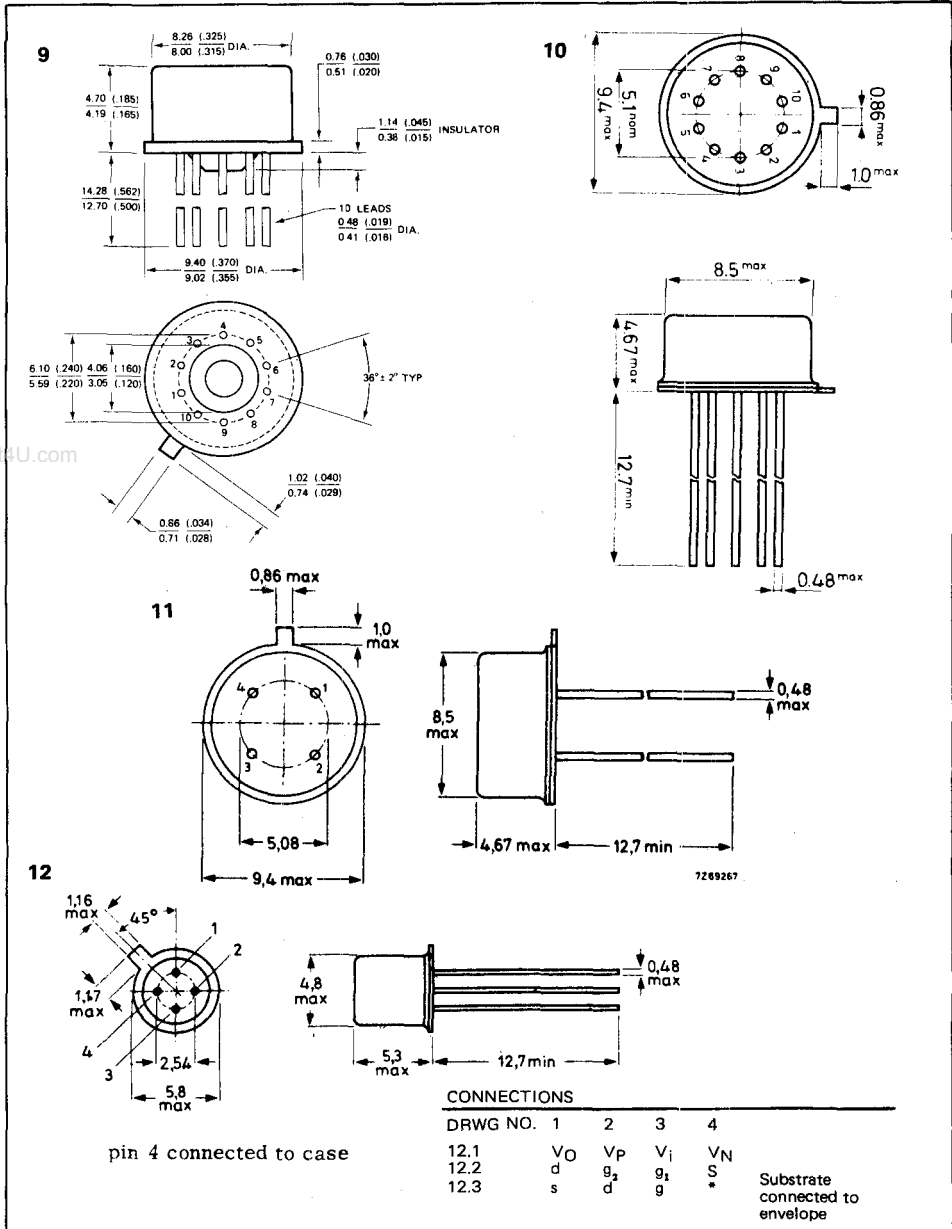
TI GEMINI

FOR CURRENT PRICES PHONE
HARLOW (0279) 29644



PLEASE QUOTE STOCK NO.
AND MANUFACTURERS PART NO. WHEN ORDERING





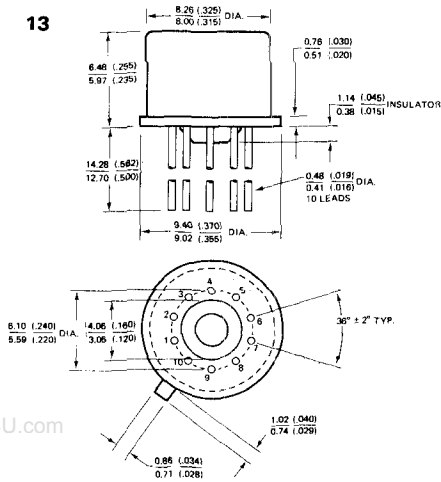
PLEASE QUOTE STOCK NO.
AND MANUFACTURERS PART NO. WHEN ORDERING

ITT GEMINI

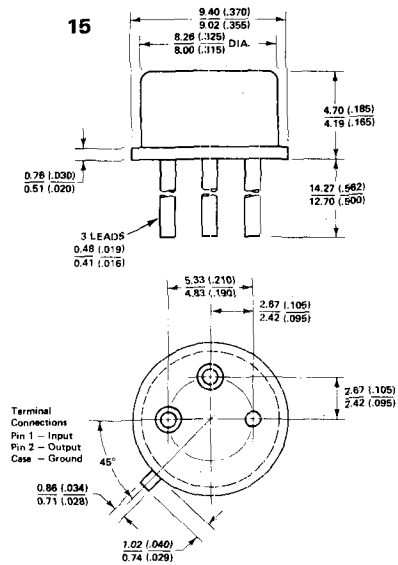
Signetics

Outline Drawings

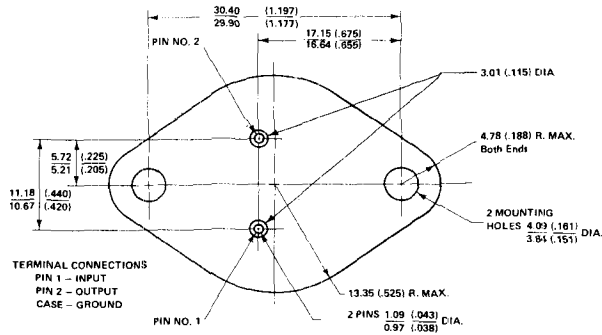
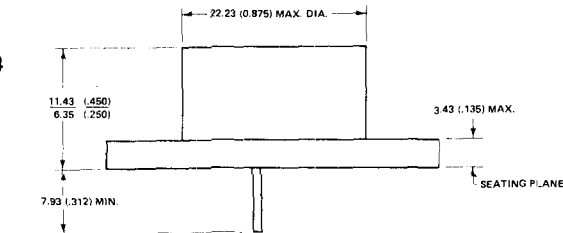
13



15



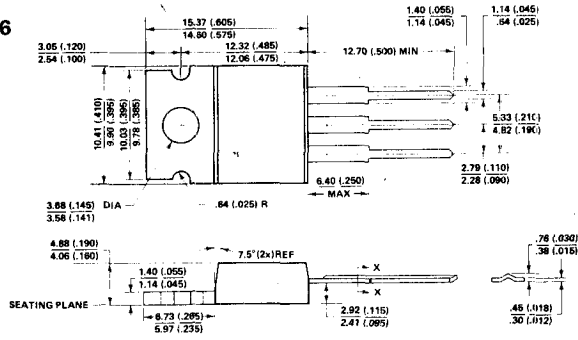
14



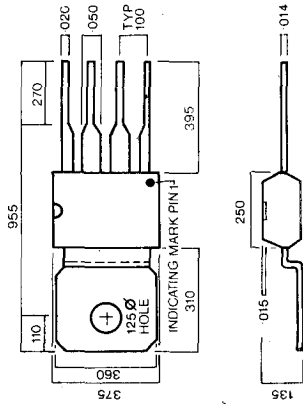
ITT GEMINI

FOR CURRENT PRICES PHONE
HARLOW (0279) 29644

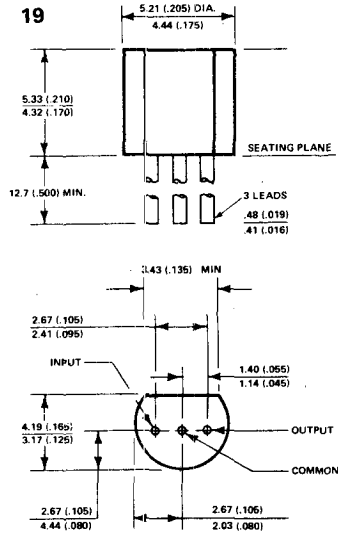
16



17



19



PLEASE QUOTE STOCK NO.
AND MANUFACTURER PART NO. WHEN ORDERING

TTT GEMINI

