



UA9849

LINEAR INTEGRATED CIRCUIT

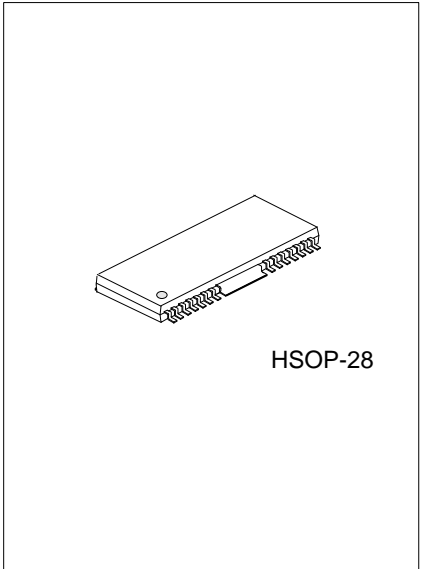
3-PHASE MOTOR DRIVER FOR CD-ROMS

■ DESCRIPTION

The UTC **UA9849** is ICs developed for CD-ROM spindle motor drives. These ICs possess a short brake and reverserotation brake for two types of brake functions, and also contain FG output and rotation direction detection (FR) circuits, making them high-functionality and high-performance ICs.

■ FEATURES

- * Three-phase, full-wave, pseudo-linear drive system.
- * Built-in power save and thermal shutdown functions.
- * Built-in current limiter and Hall bias circuits.
- * Built-in FG output.
- * Built-in rotation direction detector.
- * Built-in reverse rotation prevention circuit.
- * Built-in short brake pin.



■ ORDERING INFORMATION

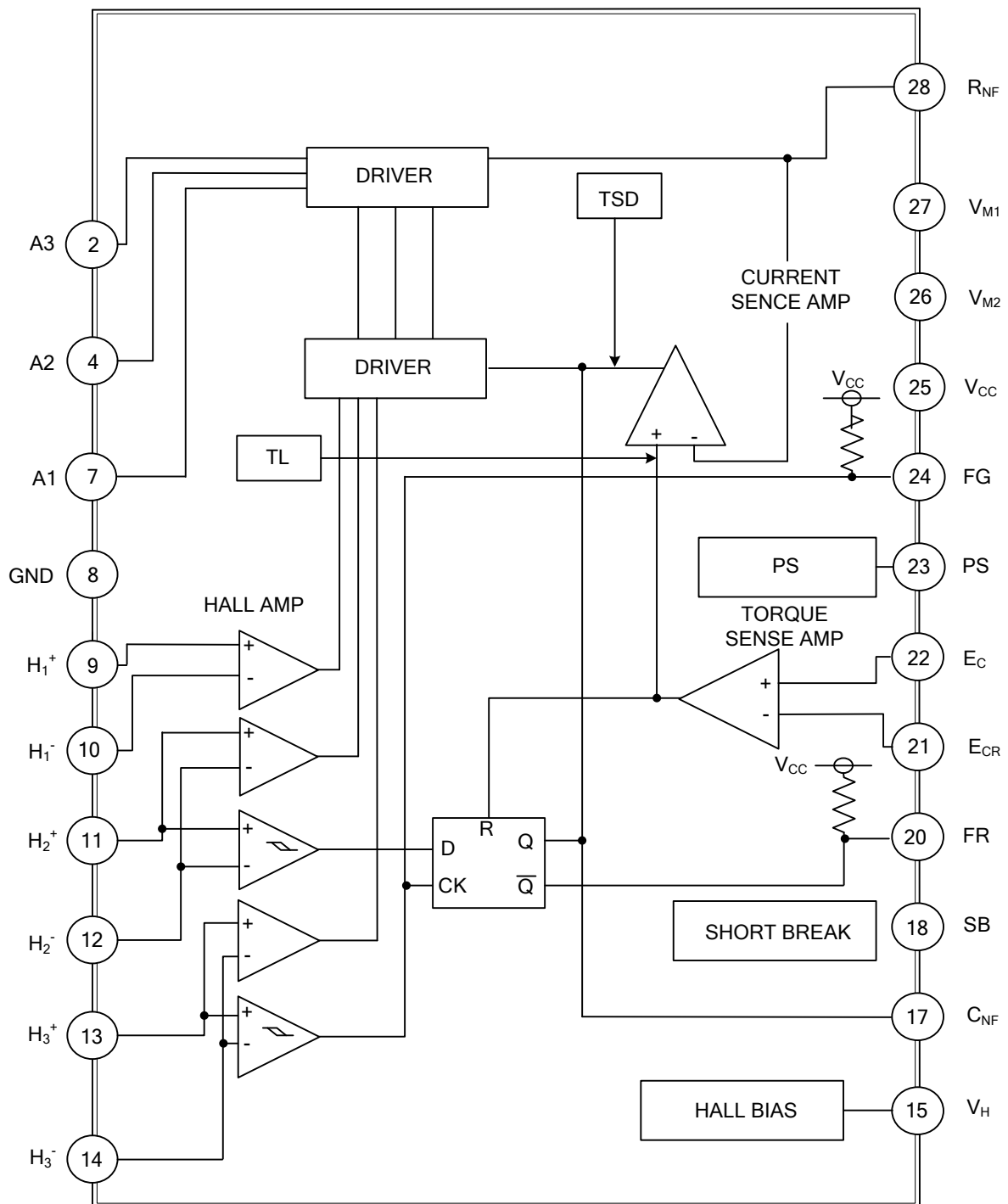
Ordering Number			Package	Packing
Normal	Lead Free	Halogen Free		
UA9849-SH1-T	UA9849L-SH1-T	UA9849G-SH1-T	HSOP-28	Tube

UA9849L-SH1-T (1)Packing Type (2)Package Type (3)Lead Plating	(1) T: Tube (2) SH1: HSOP-28 (3) G: Halogen Free, L: Lead Free, Blank: Pb/Sn
--	---

■ PIN DESCRIPTION

PIN #	PIN NAME	FUNCTOIN
2	A3	Output
4	A2	Output
7	A1	Output
8	GND	GND
9	H1 ⁺	Hall Signal Input
10	H1 ⁻	Hall Signal Input
11	H2 ⁺	Hall Signal Input
12	H2 ⁻	Hall Signal Input
13	H3 ⁺	Hall Signal Input
14	H3 ⁻	Hall Signal Input
15	V _H	Hall Bias
17	C _{NF}	For connection of phase compensation capacitor
18	SB	Short brake
20	FR	Rotation direction detection
21	E _{CR}	Output voltage control reference
22	E _C	Output voltage control
23	PS	Power save
24	FG	FG signal output
25	V _{CC}	Power Supply
26	V _{M2}	Motor Power Supply 2
27	V _{M1}	Motor Power Supply 1
28	R _{NF}	For connection of output current detection resistor
FIN	-	SUB GND

■ BLOCK DIAGRAM



■ ABSOLUTE MAXIMUM RATINGS

PARAMETER	SYMBOL	RATINGS	UNIT
Applied Voltage (with 5V Power Supply)	V _{CC}	7	V
Applied Voltage (motor Power Supply1)	V _{M1}	16	V
Applied Voltage (motor Power Supply2)	V _{M2}	16	V
Output Current(Note 4)	I _{OUT}	1.3	A
Power Dissipation(Note 2)	P _D	2.2	W
Operating Temperature	T _{OPR}	-20 ~ 75	°C
Storage Temperature(Note 3)	T _{STG}	-55 ~ 150	°C

Note: 1. Absolute maximum ratings are those values beyond which the device could be permanently damaged.

Absolute maximum ratings are stress ratings only and functional device operation is not implied.

2. Reduced by 17.6mW for increase for T_A of 1°C over 25°C

3. T_J should not exceed 150°C

4. T_J should not exceed P_D or ASO value.

■ RECOMMENDED OPERATING CONDITIONS (T_A =25°C)

PARAMETER	SYMBOL	MIN	TYP	MAX	UNIT
Power Supply Voltage	V _{CC}	4.25		5.5	V
	V _{M1}	3.0		15	
	V _{M2}	3.0		15	

■ ELECTRICAL CHARACTERISTICS

(T_A=25°C, V_{CC}=5V, V_{M1}=12V, V_{M2}=12V, unless otherwise specified.)

PARAMETER	SYMBOL	TEST CONDITIONS	MIN	TYP.	MAX	UNIT
Total Device						
Circuit Current 1	I _{CC1}	In the power save ON state		0	0.2	mA
Circuit Current 2	I _{CC2}	In the power save OFF state		4.1	6.5	mA
Power Save						
ON Voltage Range	V _{PSON}				1.5	V
OFF Voltage Range	V _{PSOFF}		3.5			V
Hall Bias						
Hall Bias Voltage	V _{HB}	I _{HB} =10mA	0.5	0.9	1.5	V
Hall Amplifier						
Input Bias Current	I _{HA}			0.7	3.0	μA
Same Phase Input Voltage Range	V _{HAR}		1.5		4.0	V
Minimum Input Level	V _{INH}		50			mV _{P-P}
H3 Hysteresis Level	V _{HYS}		10	20	40	mV
Torque Command						
Input Voltage Range	E _C		1.0		4.0	V
"-"Offset Voltage	E _{COFF-}	E _{CR} =2.5V	-80	-50	-20	mV
"+"Offset Voltage	E _{COFF+}	E _{CR} =2.5V	20	50	80	mV
Input Bias Current	E _{CIN}	E _{CR} = E _C		0.5	2.0	μA
I/O Gain	G _{EC}	E _C =1.5V,2.0V	0.35	0.51	0.61	A/V
FG						
FG Output High Level Voltage	V _{FGH}	I _{FG} = -20μA	4.5	4.8		V
FG Output Low Level Voltage	V _{FGL}	I _{FG} =3mA	0	0.25	0.4	V
Duty (Reference Value)	D _U			50		%
Rotation Detection						
FR Output High Level Voltage	V _{FRH}	V _{FRH} = -20μA	4.1	4.4		V
FR Output Low Level Voltage	V _{FRL}	I _{FR} = 3mA	0	0.25	0.4	V

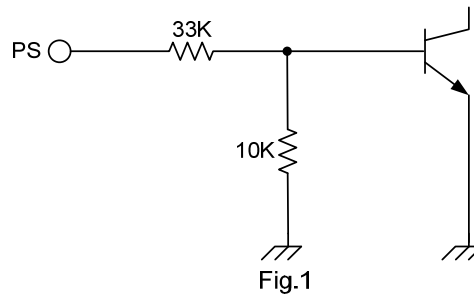
■ ELECTRICAL CHARACTERISTICS(Cont.)

PARAMETER	SYMBOL	TEST CONDITIONS	MIN	TYP.	MAX	UNIT
Output						
Output Saturation High Level Voltage	V_{OH}	$I_O = -600\text{mA}$		1.0	1.5	V
Output Saturation Low Level Voltage	V_{OL}	$I_O = 600\text{mA}$		0.4	0.8	V
Pre-Drive Current	I_{VML}	$E_C = 0\text{V}$ output open		35	70	mA
Output Limit Current	I_{TL}		500	700	840	mA
Short Brake						
On Voltage Range	V_{SBON}		3.5			V
OFF Voltage Range	V_{SBOFF}				1.5	V

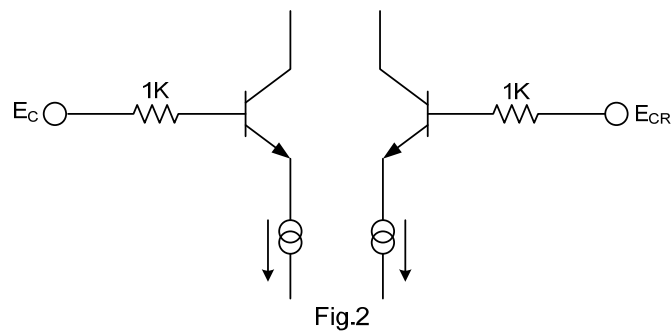
Note: Not designed for radiation resistance.

INPUT/OUTPUT CIRCUIT

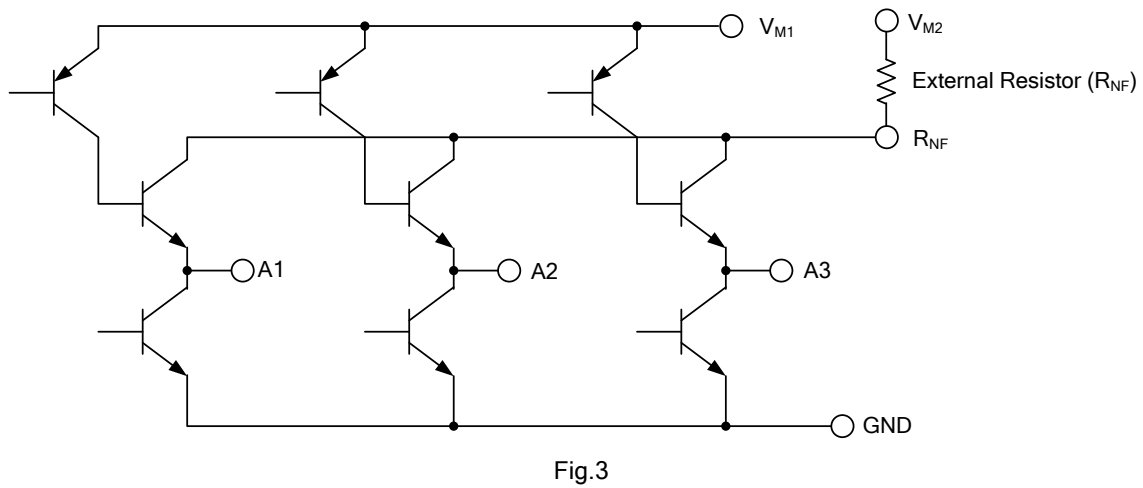
(1) Power Save



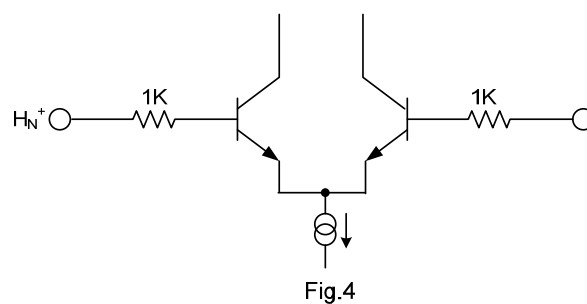
(2) Torque Command Input



(3) Torque Output (A1,A2 and A3)



(4) Hall Input (H1+,H1-,H2+,H2-,H3+,H3-)



■ INPUT/OUTPUT CIRCUIT(Cont.)

(5) Hall Bias

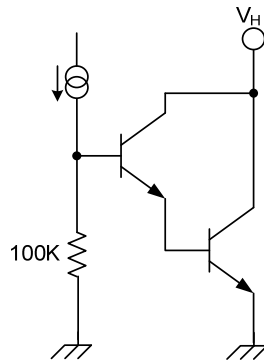


Fig.5

(6) FG Output

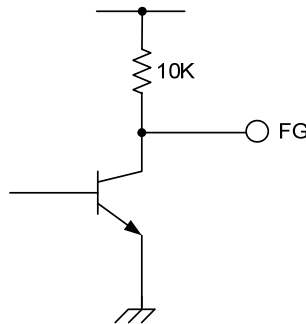


Fig.6

(7) FR Output

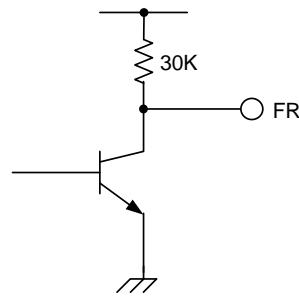


Fig.7

(8) Short Brake

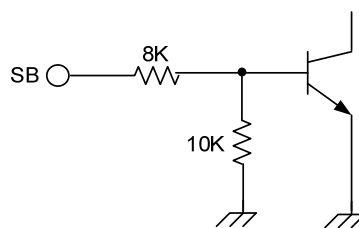


Fig.8

Note: Resistance values are typical values.

■ CIRCUIT OPERATION

(1) Hall input to coil output

The phase relationship between the Hall input signals and the output current and voltage is shown in Fig.9. The motor position data input via the Hall pins is amplified by the Hall amplifier, and formed into waveforms by the matrix block. These signals are input to the output driver that supplies the drive current to the motor coils.

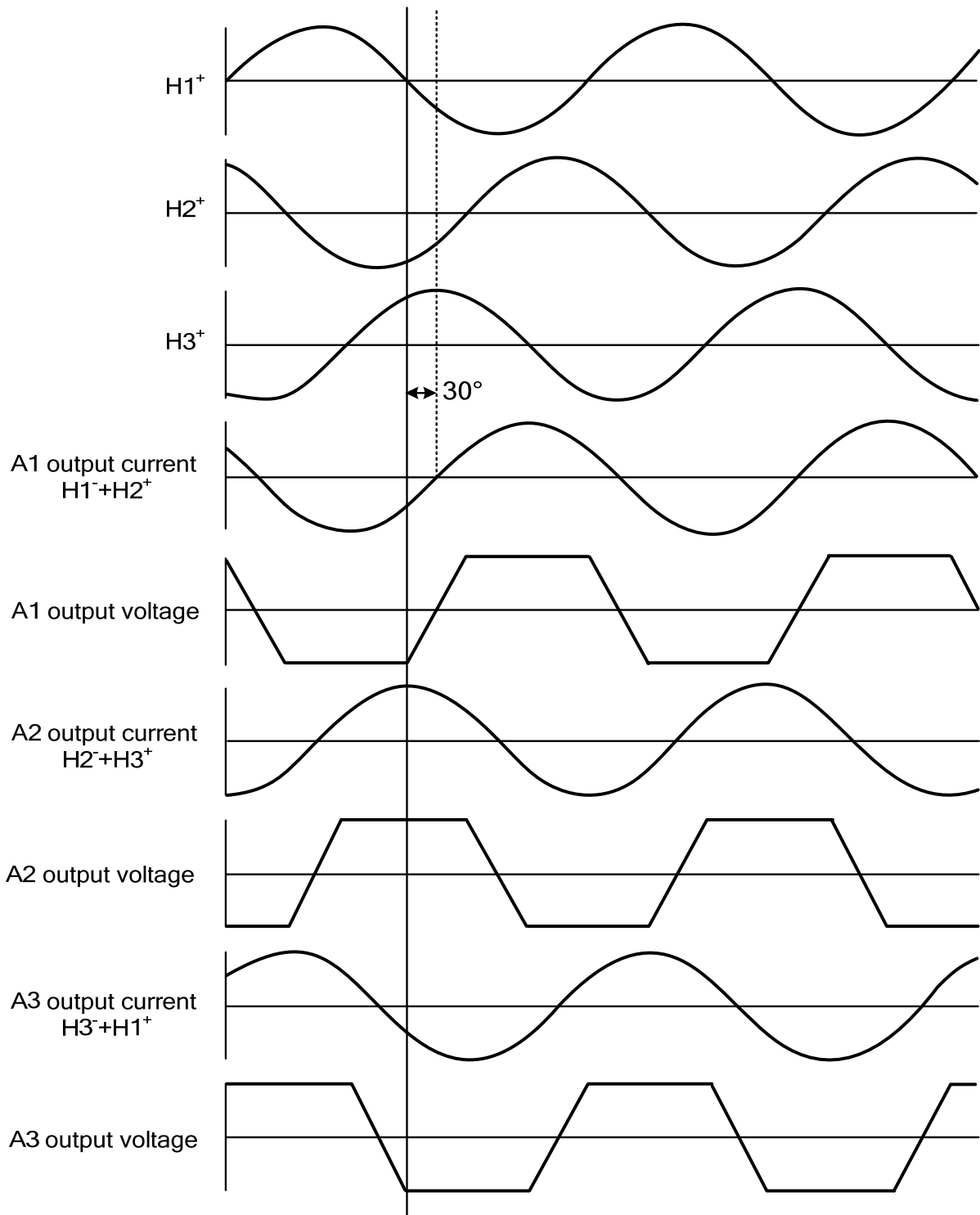


Fig. 9

■ CIRCUIT OPERATION(Cont.)

(2) Torque command

The RNF pin voltage with respect to the torque command (E_C) is as follows:

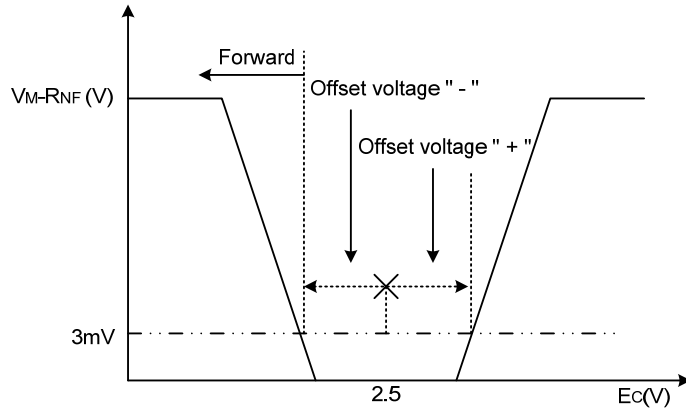


Fig.10

The I/O gain (G_{EC}) from the E_C pin to the RNF pin (output current) is determined by the R_{NF} detector resistor.

$$G_{EC} = 0.255 / R_{NF} [A / V]$$

The torque limit current I_{TL} is given by: $I_{TL} = 0.35 / R_{NF} [A]$

ROTATION DIRECTION	
$E_C < E_{CR}$	FORWARD
$E_C > E_{CR}$	REVERSE(Note)

Note: Stops after detecting reverse

(3) Reverse rotation detection function

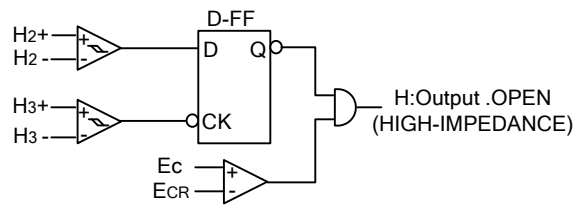


Fig.11

FR SIGNAL OUTPUT PIN	
FORWARD	L
REVERSE	H

The reverse detection circuit construction is shown in Fig.11.

(1) Forward ($E_C < E_{CR}$)

The phase relationship between the Hall input signals H_{2+} and H_{3+} becomes as shown in Fig.9, and the reverse rotation detection circuit does not operate.

(2) Reverse ($E_C > E_{CR}$)

The phase relationship between the signals H_{2+} and H_{3+} is opposite that for forward operation, and the reverse rotation detection circuit operates. The output goes OFF, and becomes open circuit.

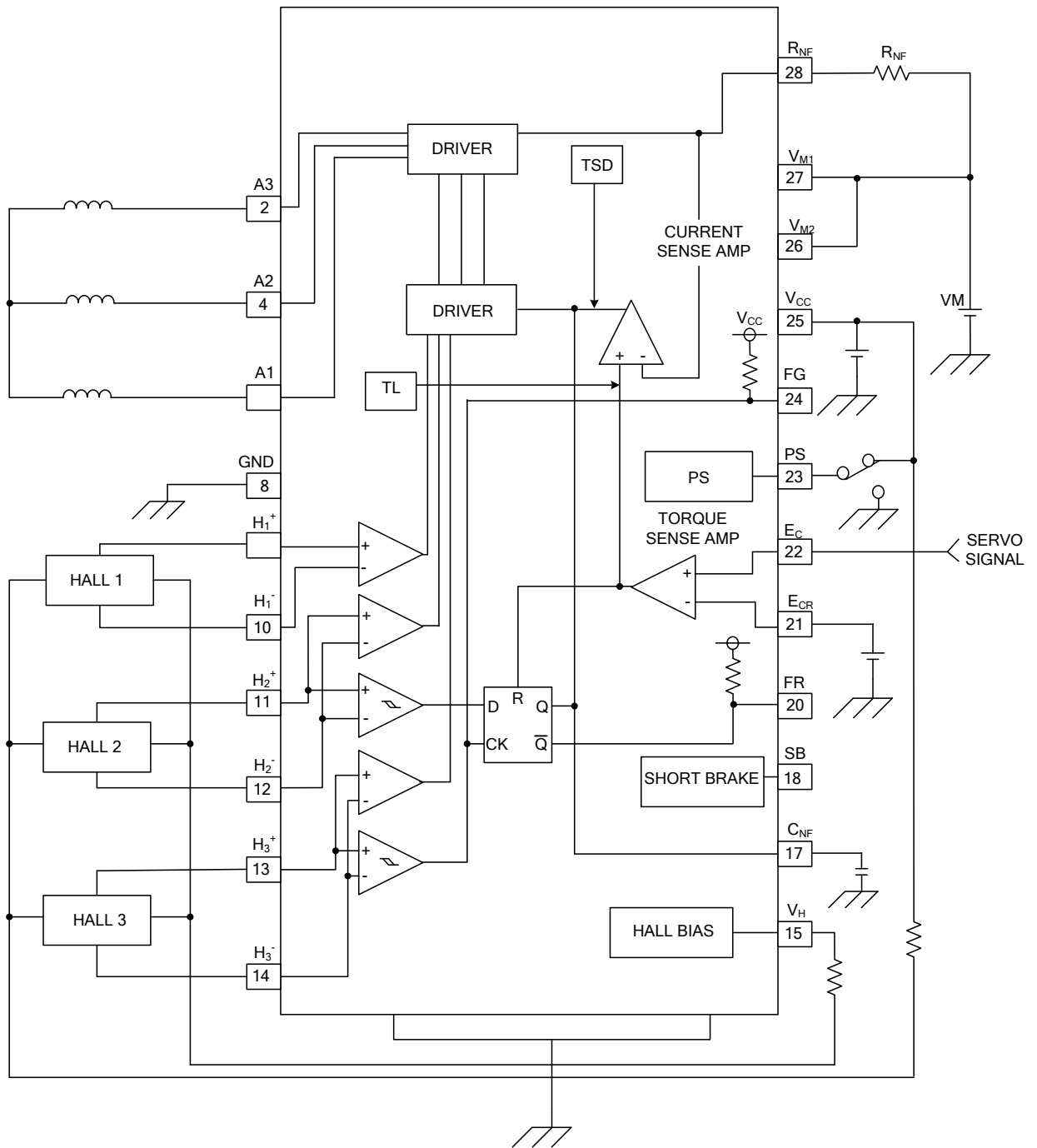
(4) Short brake

When 3.5V or more is applied to the short brake pin, the upper-side output transistors of all go off, and the lowerside output transistors go on. Short braking operates regardless of the torque command signal.

(5) Other circuits

When 3.5V or more is applied to the power save pin, all circuits are on. When 1.5V or less is applied, the IC enters power save mode. Also, the Hall bias pins turn on and off with the power save pin.

■ TYPICAL APPLICATION



■ OPERATION NOTES

(1) Power save

The power save input is an I / O circuit like the own shown in Fig.1.

The thermal derating characteristics of the power save pin is $-8\text{mV} / ^\circ\text{C}$, and the resistance will fluctuate between 30% so be careful of the input voltage range.

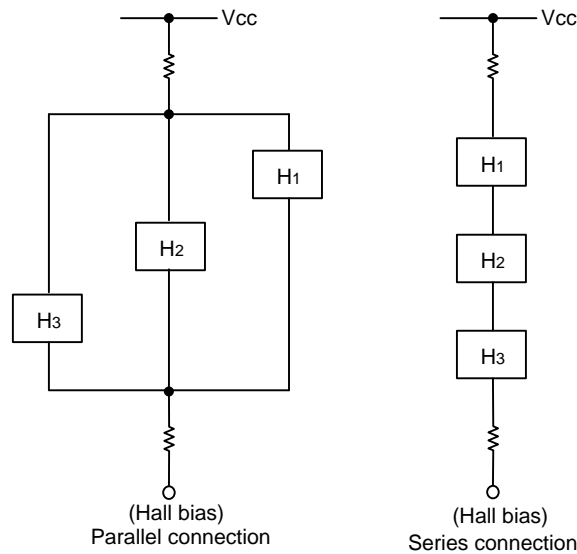
(2) Hall input

The input circuit shown in Fig.4 is used for the Hall inputs.

The Hall elements can be connected either in series or in parallel.

(3) Thermal shutdown (TSD)

When the junction temperature reaches 175°C , the A1, A2, and A3 coil outputs go open circuit. The thermal shutdown has approximately 15°C of hysteresis.



UTC assumes no responsibility for equipment failures that result from using products at values that exceed, even momentarily, rated values (such as maximum ratings, operating condition ranges, or other parameters) listed in products specifications of any and all UTC products described or contained herein. UTC products are not designed for use in life support appliances, devices or systems where malfunction of these products can be reasonably expected to result in personal injury. Reproduction in whole or in part is prohibited without the prior written consent of the copyright owner. The information presented in this document does not form part of any quotation or contract, is believed to be accurate and reliable and may be changed without notice.