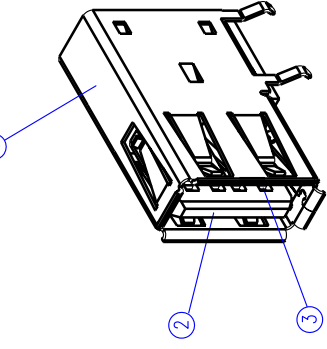


1 2 3 4 5 6 7 8

REV.	EC#	DESCRIPTION	DATE	DRAWN	CHECKED	APPROVED
F	EGR-03124	△ X4	07/28/03'	YEN	~	MAX
G	SZECR-04258	△ X1	05/29/04'	LONG	~	TOM
H	EGR-04174	MODIFY P/N △ X1	12/24/04'	JERRY	~	MAX
I	SZECR05444	△ X1,AX1	10/05/05'	CHP	FLYING	TOM
J	SZECR05449	△ X1,AX1	10/07/05'	ARPPING	FLYING	TOM
K	SZECR08077	△ X2,MX2	03/17/08'	LYP	FLYING	FLYING

A



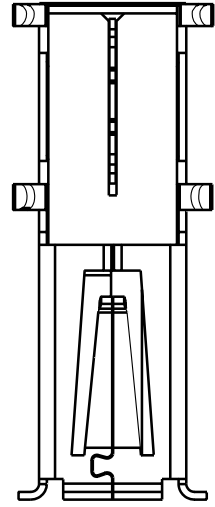
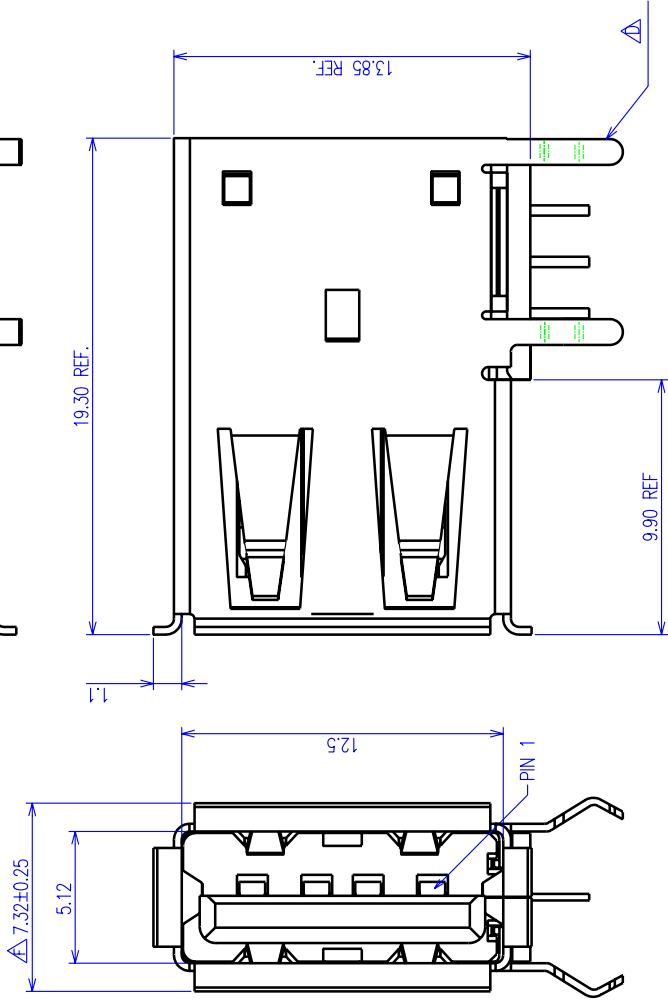
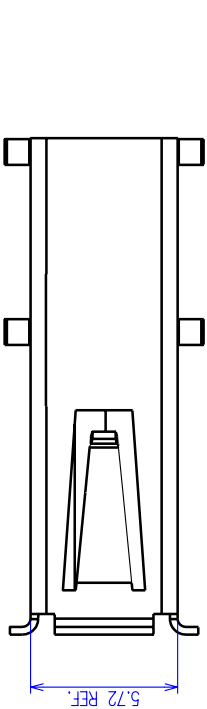
B

C

D

E

F



3	CONTACT	4	T-UAR80-14X00	COPPER ALLOY/SELECTIVE GOLD PLATING(REFER TO "TABLE A")																														
2	HOUSING	1	I-UAR80-14XX0	THERMOPLASTIC, GLASS FILLED, UL 94V-0 RATED																														
1	SHELL	1	S-UAR80-14XXX	COPPER ALLOY/PLATED SEE TABLE A																														
ITEM	NAME	QTY	PART#	MATERIAL / FINISH																														
<table border="1"> <thead> <tr> <th colspan="2">TOLERANCES UNLESS OTHERWISE SPECIFIED:</th> <th>DATE</th> </tr> </thead> <tbody> <tr> <td>GENERAL</td> <td>X .005</td> <td>01/10/00'</td> </tr> <tr> <td></td> <td>X .025</td> <td></td> </tr> <tr> <td></td> <td>X .030</td> <td></td> </tr> <tr> <td></td> <td>X .013</td> <td></td> </tr> <tr> <td>ANGLES</td> <td>X .000</td> <td>01/10/00'</td> </tr> <tr> <td></td> <td>X .010</td> <td></td> </tr> <tr> <td></td> <td>X .020</td> <td></td> </tr> <tr> <td></td> <td>X .017</td> <td></td> </tr> <tr> <td></td> <td>X .017</td> <td></td> </tr> </tbody> </table>					TOLERANCES UNLESS OTHERWISE SPECIFIED:		DATE	GENERAL	X .005	01/10/00'		X .025			X .030			X .013		ANGLES	X .000	01/10/00'		X .010			X .020			X .017			X .017	
TOLERANCES UNLESS OTHERWISE SPECIFIED:		DATE																																
GENERAL	X .005	01/10/00'																																
	X .025																																	
	X .030																																	
	X .013																																	
ANGLES	X .000	01/10/00'																																
	X .010																																	
	X .020																																	
	X .017																																	
	X .017																																	
<table border="1"> <thead> <tr> <th colspan="2">DRAWN</th> <th>DATE</th> </tr> </thead> <tbody> <tr> <td>Stonily</td> <td>01/10/00'</td> <td></td> </tr> <tr> <td>DESIGN</td> <td></td> <td></td> </tr> <tr> <td>Stonily</td> <td>01/10/00'</td> <td></td> </tr> <tr> <td>CHECKED</td> <td></td> <td></td> </tr> <tr> <td>Roger</td> <td>02/18/00'</td> <td></td> </tr> <tr> <td>APPROVED</td> <td></td> <td></td> </tr> <tr> <td>Roger</td> <td>02/18/00'</td> <td></td> </tr> </tbody> </table>					DRAWN		DATE	Stonily	01/10/00'		DESIGN			Stonily	01/10/00'		CHECKED			Roger	02/18/00'		APPROVED			Roger	02/18/00'							
DRAWN		DATE																																
Stonily	01/10/00'																																	
DESIGN																																		
Stonily	01/10/00'																																	
CHECKED																																		
Roger	02/18/00'																																	
APPROVED																																		
Roger	02/18/00'																																	
<table border="1"> <thead> <tr> <th colspan="2">CUSTOMER DRAWING</th> <th>SERIES</th> <th>REV.</th> </tr> </thead> <tbody> <tr> <td colspan="2">TITLE</td> <td>UAR80 SERIES</td> <td>A3</td> </tr> <tr> <td colspan="2">SERIES</td> <td>C-UAR80-00-00</td> <td>K</td> </tr> </tbody> </table>					CUSTOMER DRAWING		SERIES	REV.	TITLE		UAR80 SERIES	A3	SERIES		C-UAR80-00-00	K																		
CUSTOMER DRAWING		SERIES	REV.																															
TITLE		UAR80 SERIES	A3																															
SERIES		C-UAR80-00-00	K																															



USB TYPE A (RECEPTACLE R/A, THRU-HOLE 4 POS.)

All materials meet the ACON's spec. environment-related substances management technical standard

This document and information contained herein are the property of Advanced Connectek Inc., copies are issued in strict confidence and shall not be reproduced or copied, or used as the basis of manufacture or sale of apparatus without permission

TABLE A: PRODUCT NUMBERING CODE:

UARBX- 4 X X X X 0
 ① ② ③ ④ ⑤ ⑥

- ① UARB0: W/O BACKSHELL
 UARB1: WITH BACKSHELL (N/A)
- ② POSITIONS:
 4: 4 POSITIONS
- ③ COLOR OF HOUSING:
 K-BLACK
 W-WHITE
- ④ CONTACT GOLD PLATING THICKNESS:
 2.5μ" GOLDING
 5.30μ" GOLDING
 6.2μ" Min Au/30μ" Min. Pd-Ni
- ⑤ SHELL FINISH:
 1: Cu+TIN/LEAD
 3: Cu+TIN/LEAD WITH "ACON"
 J: Cu+Ni
 C: Ni / Tin W/O LOGO
 G: Ni / Tin WITH "ACON" LOGO
- ⑥ MATERIAL OF HOUSING :
 0 : PBT
 1 : PA-6T
- ⑦ SHELL TYPE:
 0 : STANDARD
 1 : TYPE II

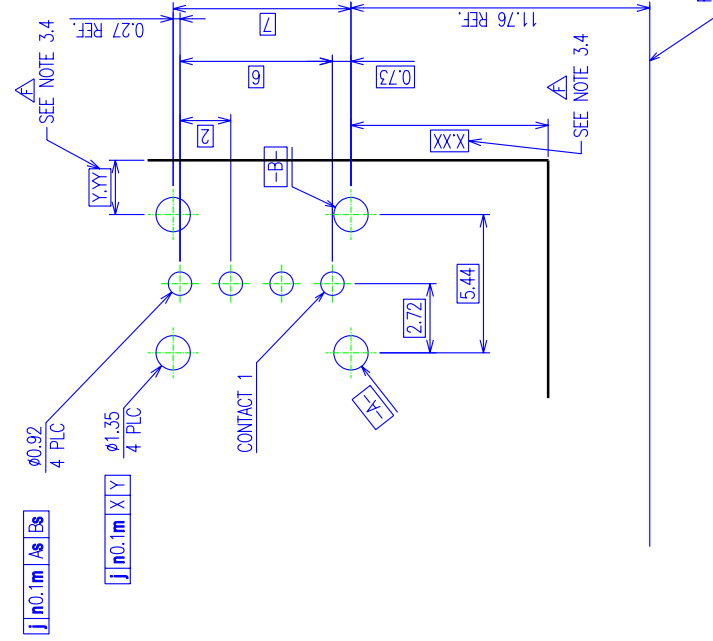


FIGURE B: PC BOARD MOUNTING DIMENSIONS

- NOTES :
- 1.0. RATING :
 1.1. VOLTAGE : 30 VAC (R.M.S.)
 1.2. CURREN : 1.5 AMPERE MAXIMUM PER CONTACT AT 30°C T-RISE
 1.3. TEMPERATURE : -55°C TO +85°C
 - 2.0. ELECTRICAL CHARACTERISTIC :
 2.1. CONTACT RESISTANCE : 30 MILLIOHMS MAXIMUM INITIAL
 2.2. INSULATION RESISTANCE : 1,000 MEGOHMS MINIMUM
 2.3. DIELECTIC WITHSTANDING VOLTAGE : 500 VAC AT SEE LEVEL
 - 3.0. OTHERS :
 - 3.1. PRODUCT NUMBERING CODE : REFER TO TABLE A
 - 3.2. RECOMMENDED PC BOARD THICKNESS OF 1.60mm
 - 3.3. RECOMMENDED PC BOARD MOUNTING DIMENSION : REFER FIGURE B

④ DATUM AND BASIC DIMENSIONS ESTABLISHED BY CUSTOMER.

 ADVANCED-CONNECTEK INC.		DATE: 01/10/00 DRAWN: Stantly CHECKED: Stantly DATE: 01/10/00
TITLE: USB TYPE A (RECEPTACLE R/A, THRU-HOLE 4 POS.)		DATE: 02/18/00 APPROVED: Roger DATE: 02/18/00
SERIES: UARB0 SERIES	PART NO.: C-UARB0-00-00	REV: A3
CUSTOMER DRAWING		

All materials meet the ACON's spec. environment-related substances management technical standard

This document and information contained herein are the property of Advanced Connectek Inc., copies are issued in strict confidence and shall not be reproduced or copied, or used as the basis of manufacture or sale of apparatus without permission